



US00D524453S

(12) **United States Design Patent**  
**Koch**

(10) **Patent No.:** **US D524,453 S**

(45) **Date of Patent:** **\*\* Jul. 4, 2006**

(54) **FRAME FOR A SLIDING DOOR**

3,049,765 A \* 8/1962 Elmore ..... 49/380  
D416,626 S \* 11/1999 Moller et al. .... D25/60

(75) Inventor: **Michael Koch**, Biberist (CH)

\* cited by examiner

(73) Assignee: **Ekü AG**, Sirmach (CH)

*Primary Examiner*—Doris Clark

(\*\*) Term: **14 Years**

(74) *Attorney, Agent, or Firm*—Volpe and Koenig, P.C.

(21) Appl. No.: **29/213,723**

(57) **CLAIM**

(22) Filed: **Sep. 22, 2004**

I claim, the ornamental design for a frame for a sliding door, as shown and described.

(30) **Foreign Application Priority Data**

**DESCRIPTION**

Mar. 22, 2004 (CH) ..... 130509

(51) **LOC (8) Cl.** ..... **25-02**

(52) **U.S. Cl.** ..... **D25/60**

(58) **Field of Classification Search** ..... D25/60;  
52/204.1, 205, 207; 49/130, 131, 142, 150,  
49/155, 176, 504, DIG. 2

See application file for complete search history.

FIG. 1 is a front elevational view of a frame for a sliding door in accordance with my invention;

FIG. 2 is a bottom view thereof, the top view being a mirror image of the bottom view;

FIG. 3 is a sectional view taken along line 3—3 of FIG. 1;

FIG. 4 is a right side elevational view thereof, the left side elevational view being a mirror image thereof;

FIG. 5 is an enlarged left partial perspective view thereof; and,

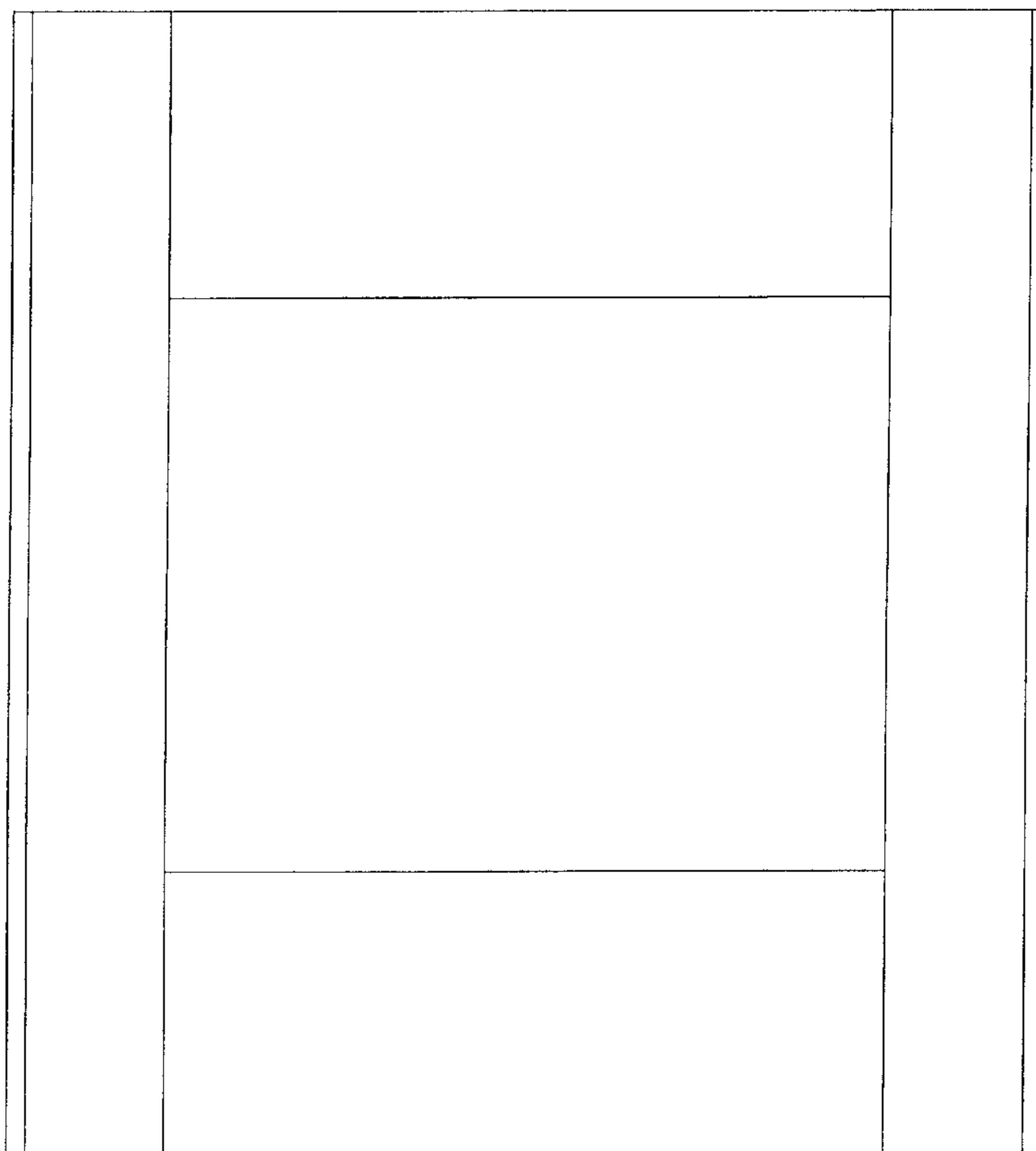
FIG. 6 is an enlarged right partial perspective view thereof.

(56) **References Cited**

**U.S. PATENT DOCUMENTS**

D188,180 S \* 6/1960 Grayboff ..... D25/60

**1 Claim, 3 Drawing Sheets**



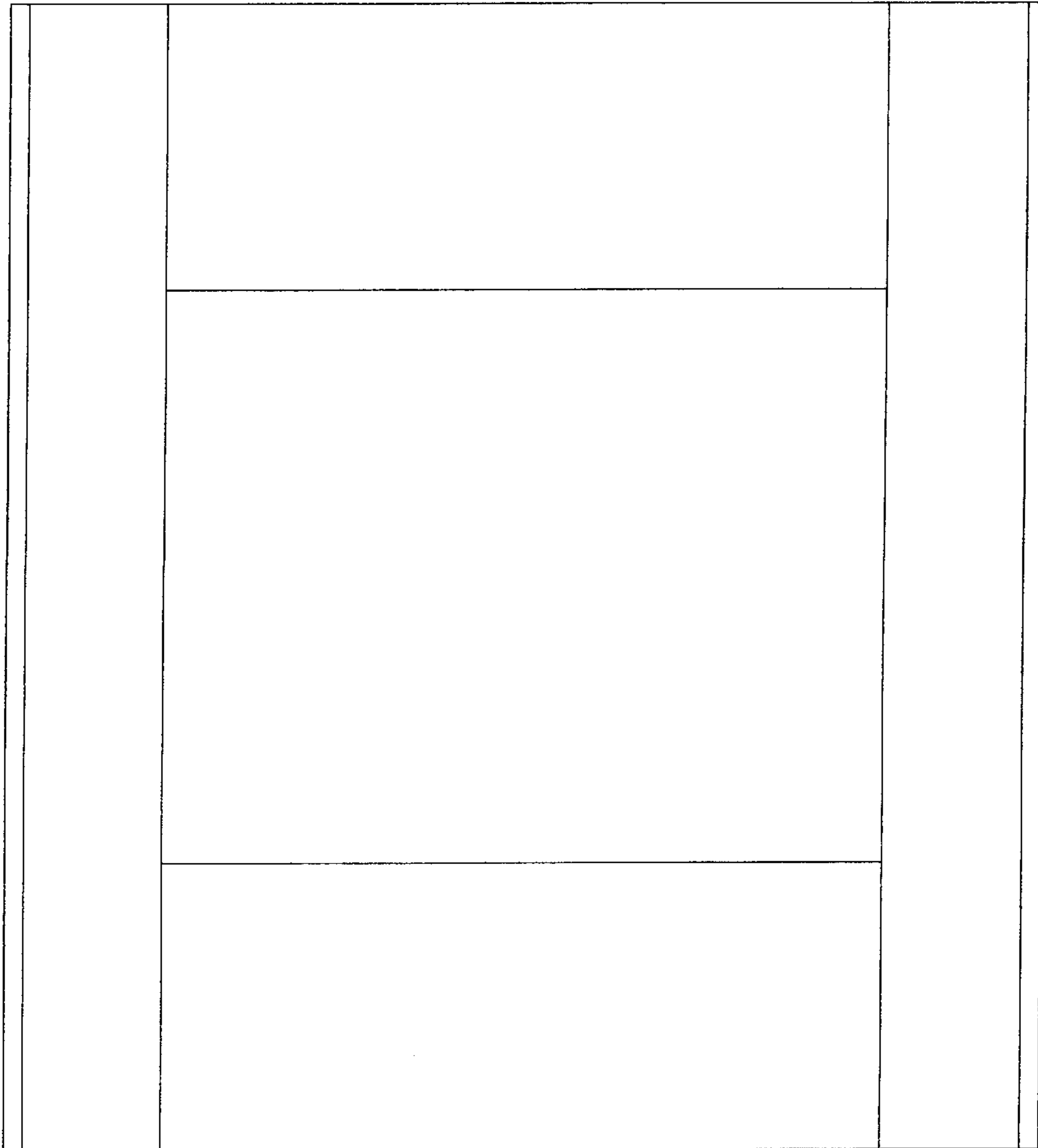


Fig. 1

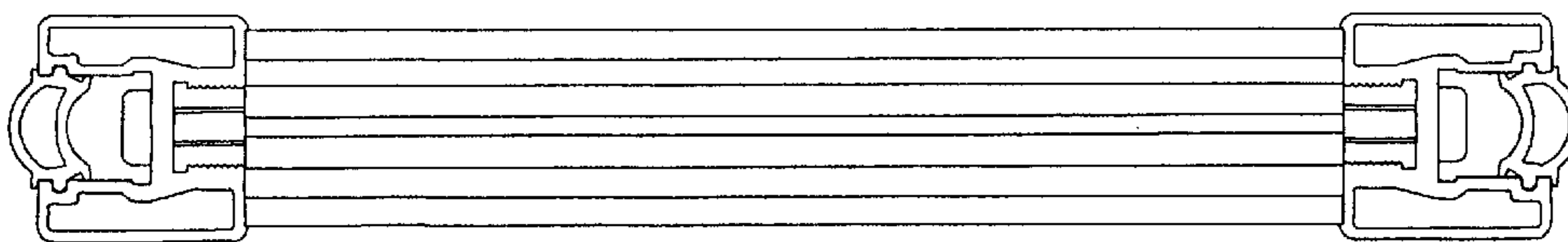


Fig. 2

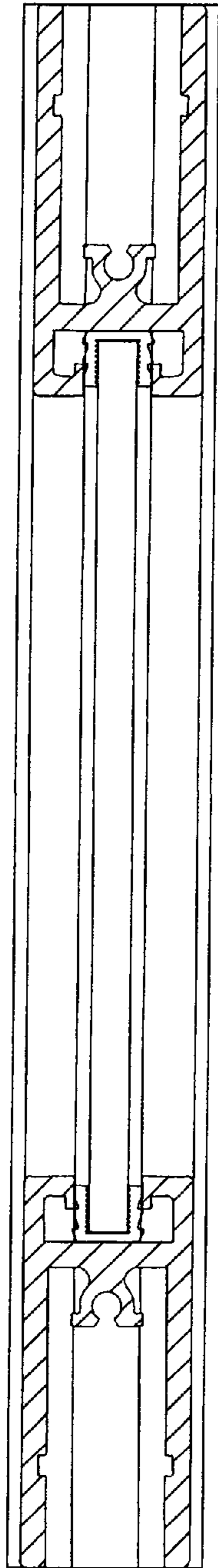


Fig. 3

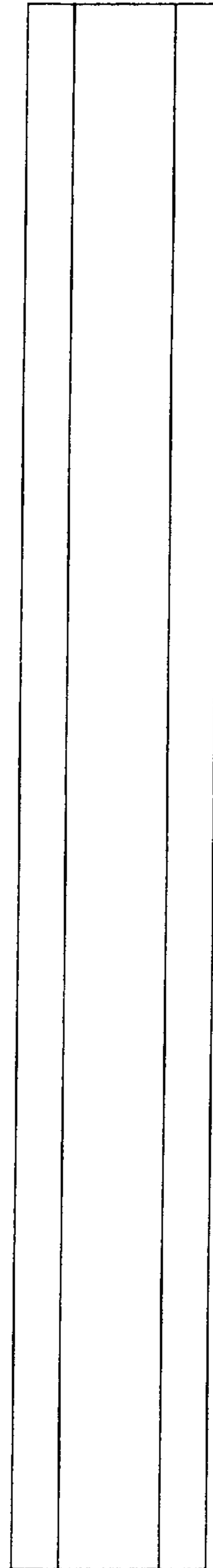


Fig. 4

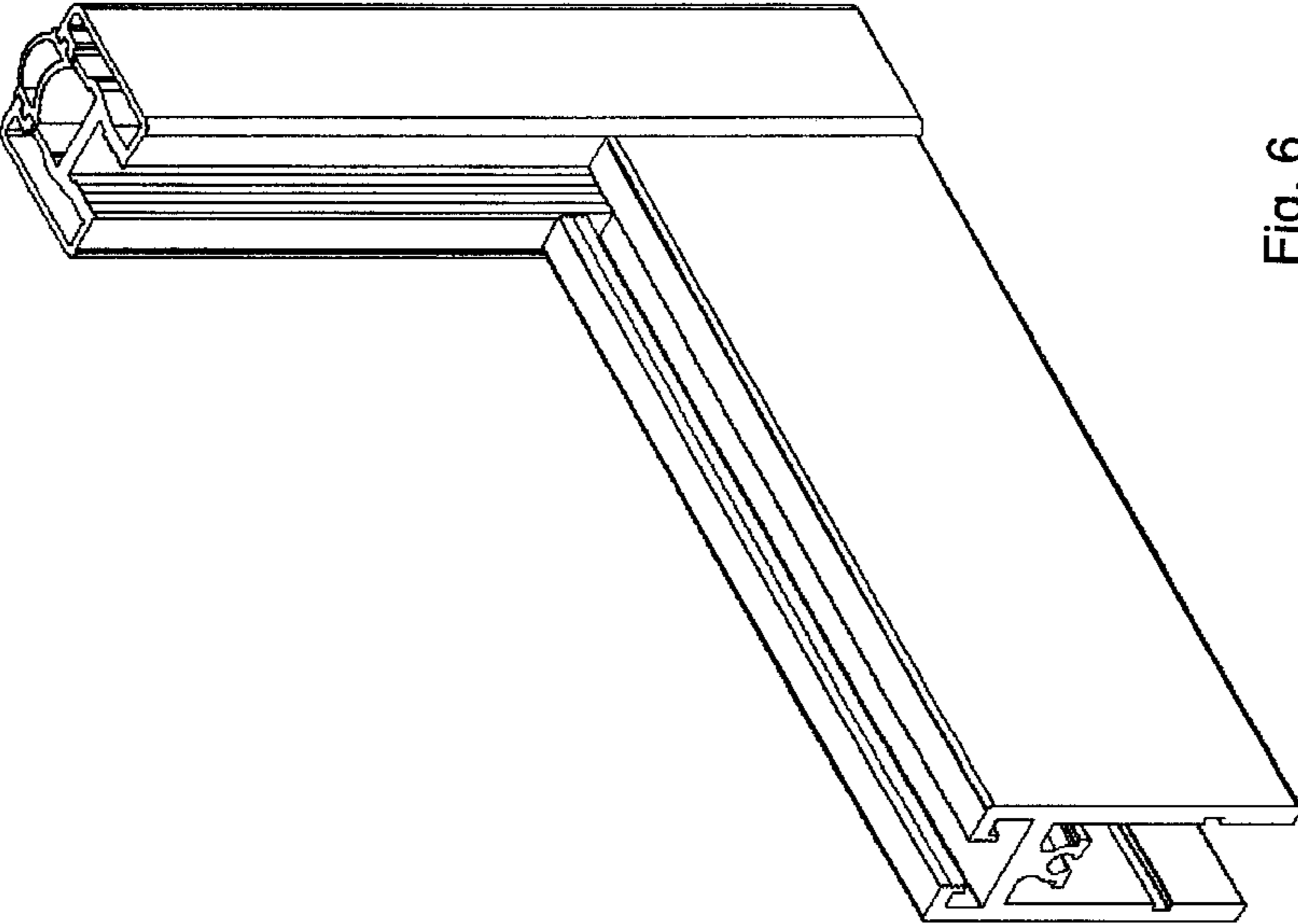


Fig. 6

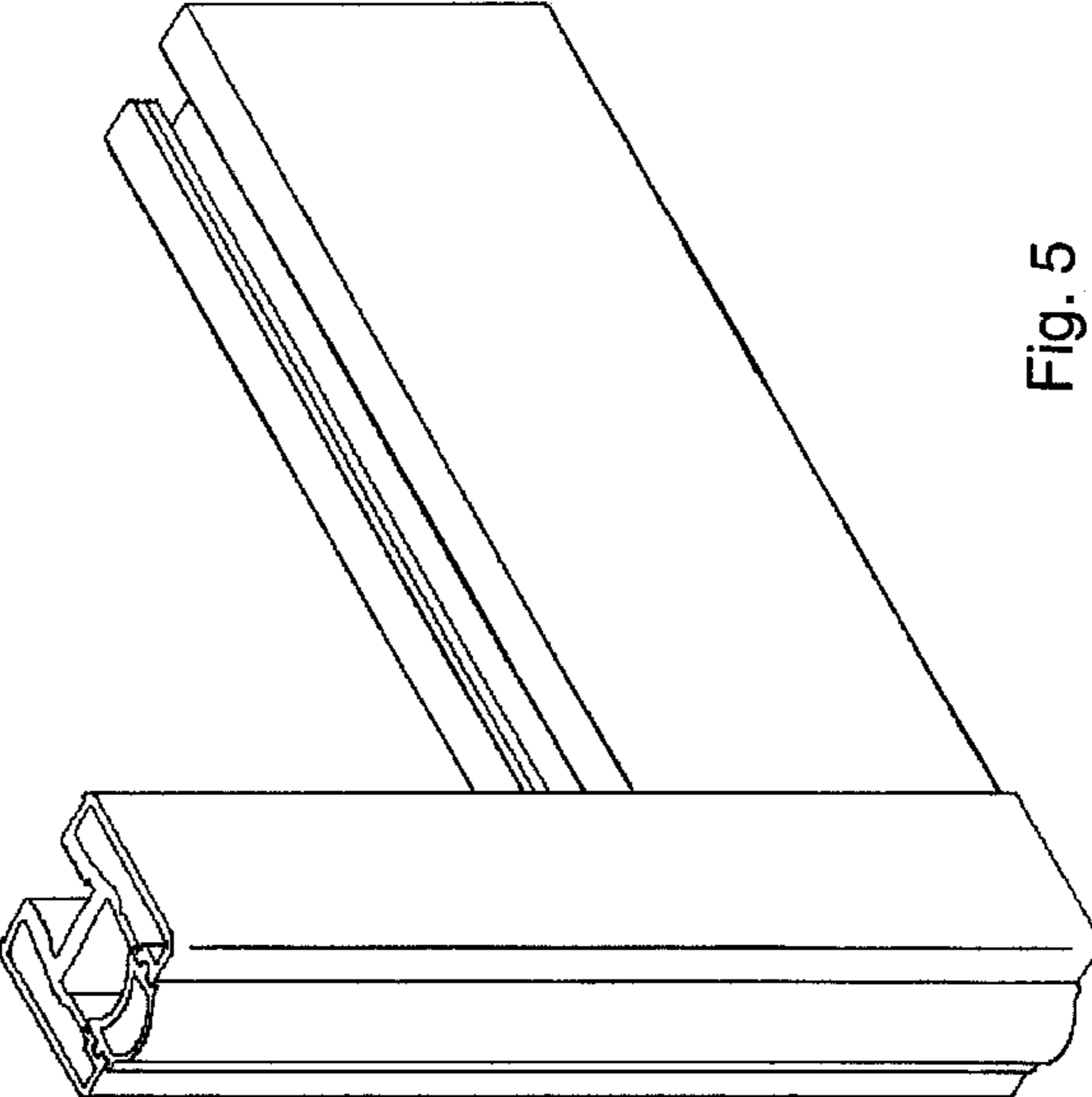


Fig. 5