



US00D524452S

(12) **United States Design Patent**
Repp et al.

(10) **Patent No.:** **US D524,452 S**
(45) **Date of Patent:** **** Jul. 4, 2006**

- (54) **CORNICE**
- (75) Inventors: **Jilene A. Repp**, Hartland, WI (US);
Francis A. Yogerst, West Bend, WI (US)
- (73) Assignee: **June Tailor, Inc.**, Richfield, WI (US)
- (**) Term: **14 Years**
- (21) Appl. No.: **29/222,804**
- (22) Filed: **Feb. 3, 2005**
- (51) **LOC (8) Cl.** **25-02**
- (52) **U.S. Cl.** **D25/55; D6/579**
- (58) **Field of Classification Search** **D25/55;**
D6/579; 52/96; 160/33, 38
See application file for complete search history.

- 5,597,025 A 1/1997 Forkner
- D385,141 S 10/1997 Forkner
- 5,890,527 A 4/1999 Smiley et al.
- 5,918,435 A 7/1999 McGowen
- 5,927,362 A 7/1999 Smiley et al.
- 5,967,213 A 10/1999 Smiley et al.
- 6,047,421 A 4/2000 Barone
- 6,152,204 A 11/2000 Santoro
- 6,167,939 B1 1/2001 Barone
- 6,173,752 B1 1/2001 Nelson et al.
- 6,205,936 B1 3/2001 Nelson et al.
- D444,889 S 7/2001 Nelson et al.
- 6,315,026 B1 11/2001 Ross
- 6,539,675 B1 * 4/2003 Gile 52/96
- 2004/0255542 A1 12/2004 Repp et al.

* cited by examiner

Primary Examiner—Doris Clark
(74) *Attorney, Agent, or Firm*—Foley & Lardner LLP

(56) **References Cited**

U.S. PATENT DOCUMENTS

- 2,243,222 A * 5/1941 Rebholz 160/38
- D167,176 S * 7/1952 Schaefer D25/55
- 2,998,062 A 8/1961 Bixby
- 4,246,951 A 1/1981 Givens
- 4,828,002 A 5/1989 Ashby
- 4,865,105 A 9/1989 Peters
- 4,966,218 A 10/1990 Peters
- 5,033,525 A 7/1991 Paeselt
- 5,042,548 A 8/1991 Attal
- 5,062,463 A 11/1991 Peters
- 5,152,331 A 10/1992 Barone
- 5,159,965 A 11/1992 Roy et al.
- 5,217,784 A 6/1993 Shepherd
- D346,663 S * 5/1994 McKnight D25/55
- 5,345,990 A 9/1994 Potts
- 5,361,821 A 11/1994 Barone
- 5,383,635 A 1/1995 Barone
- 5,505,245 A 4/1996 Badalamenti

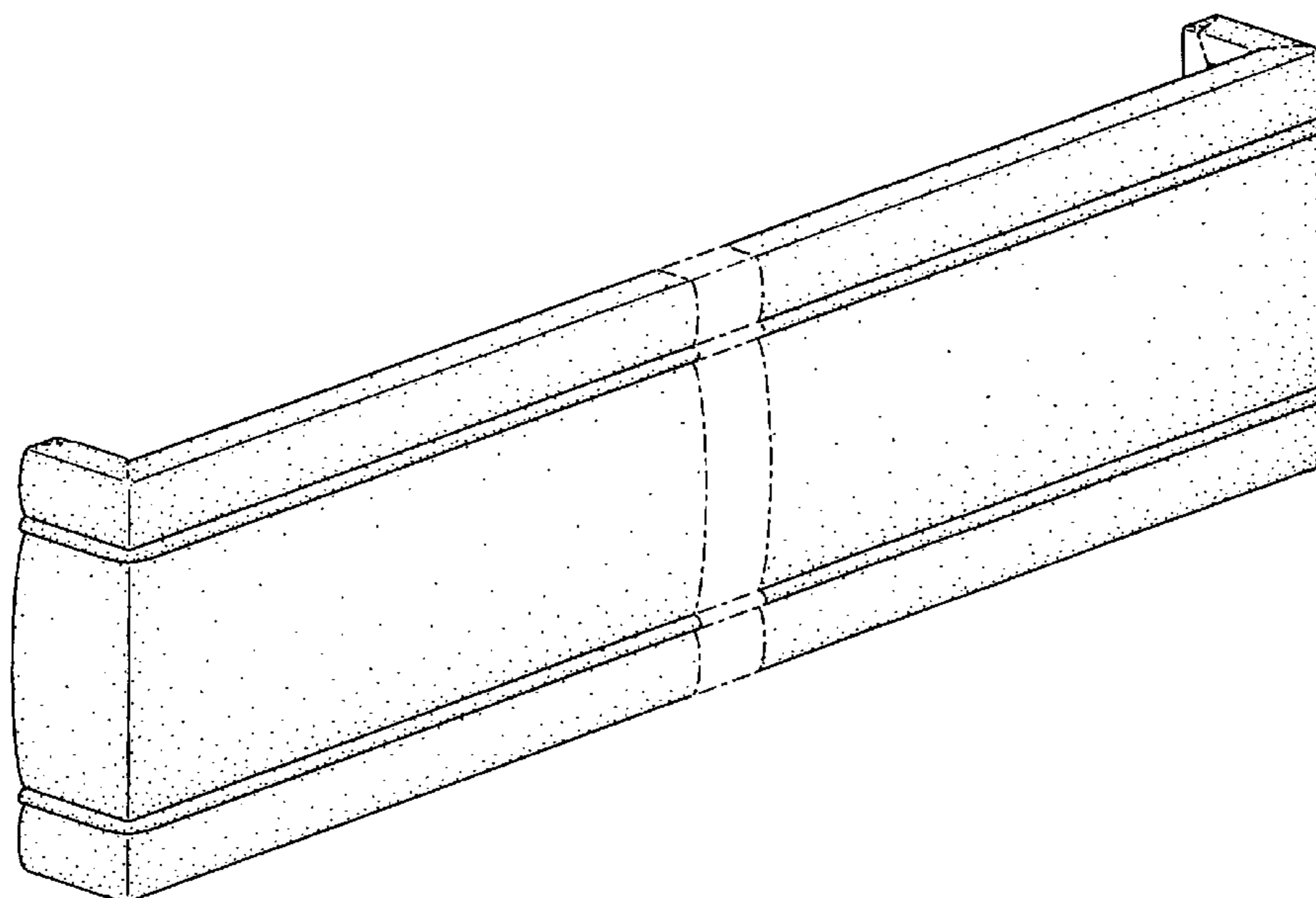
(57) **CLAIM**

We claim the ornamental design for a cornice, as shown and described.

DESCRIPTION

FIG. 1 is a perspective view of the claimed design;
FIG. 2 is a front elevation view of the claimed design;
FIG. 3 is a rear elevation view of the claimed design;
FIG. 4 is a top view of the claimed design;
FIG. 5 is a bottom view of the claimed design;
FIG. 6 is a right side elevation view of the claimed design;
and,
FIG. 7 is a left side elevation view of the claimed design.
The ornamental design which is claimed is shown in solid lines in the drawings. The broken lines in the drawings are for illustrative purposes only and form no part of the claimed design.

1 Claim, 5 Drawing Sheets



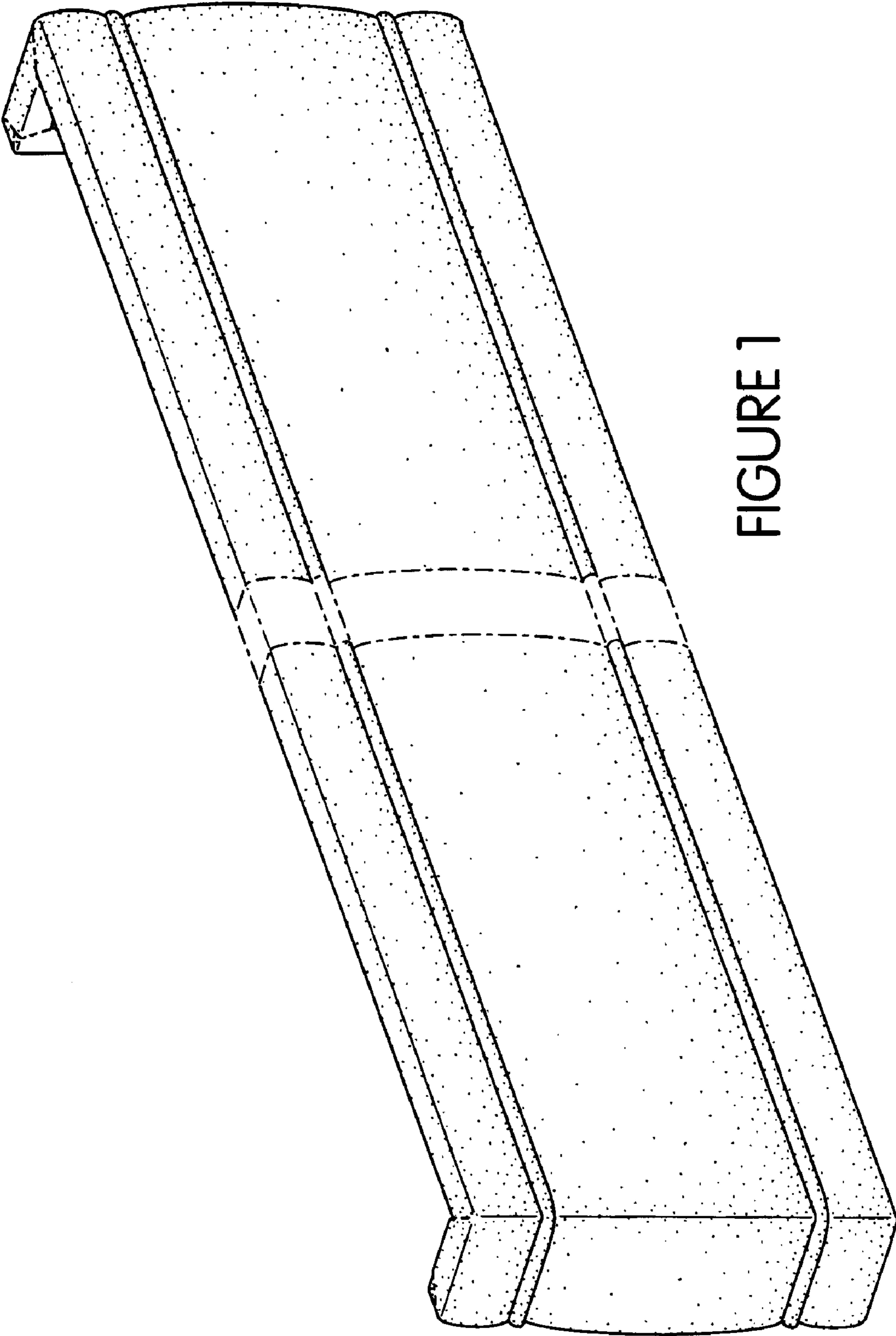


FIGURE 1

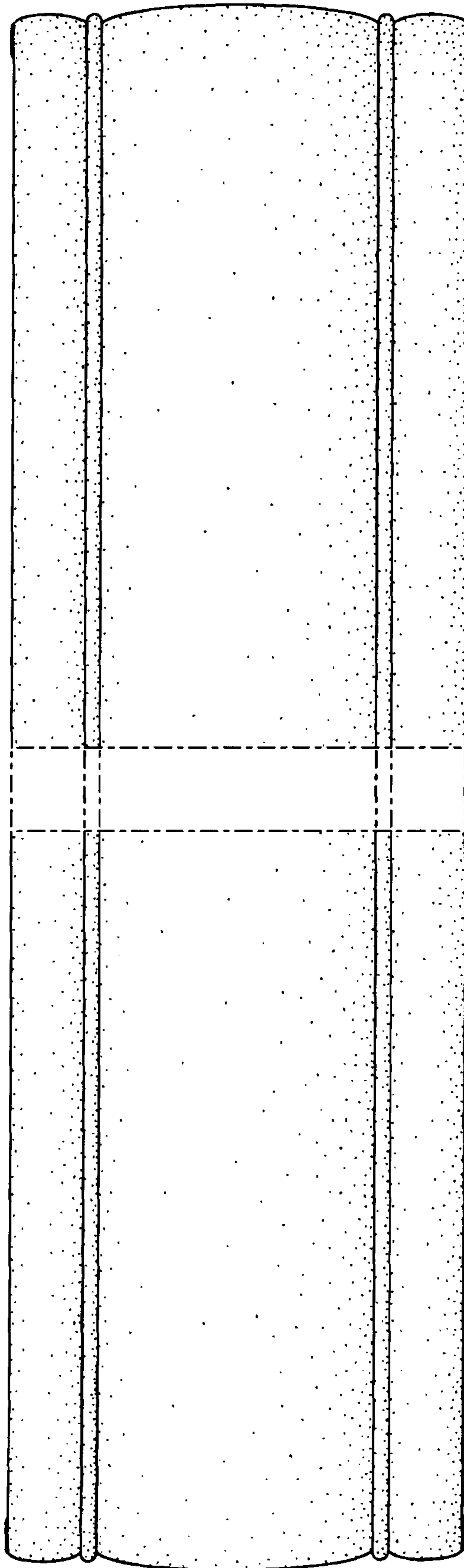


FIGURE 2

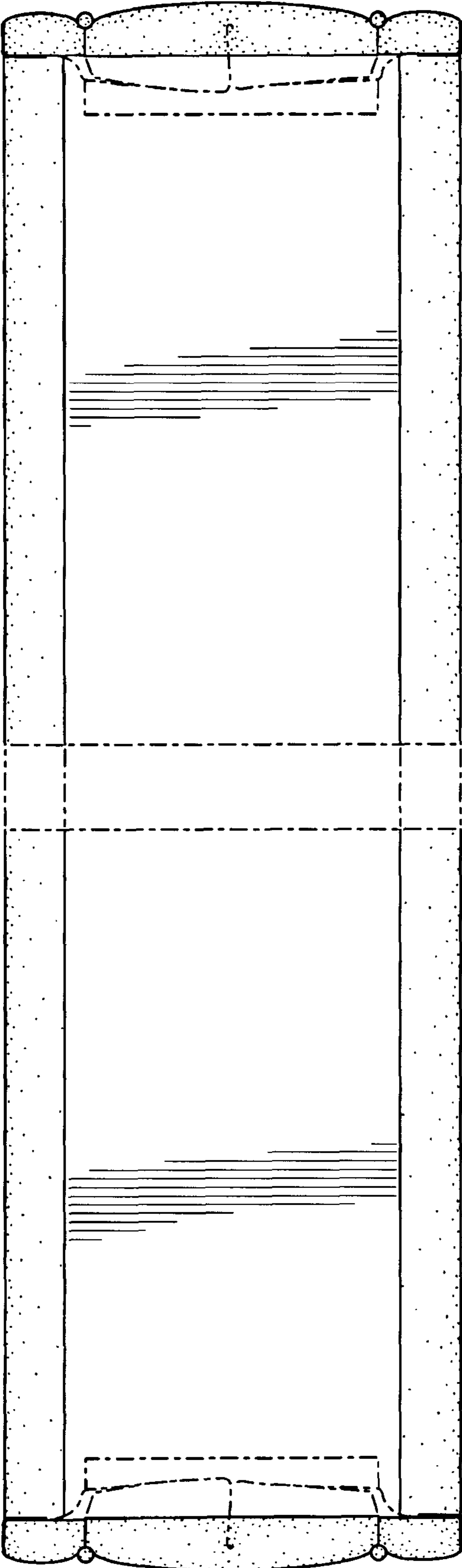


FIGURE 3

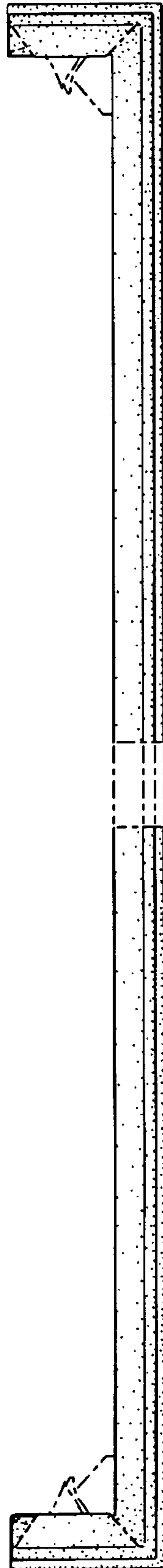


FIGURE 4

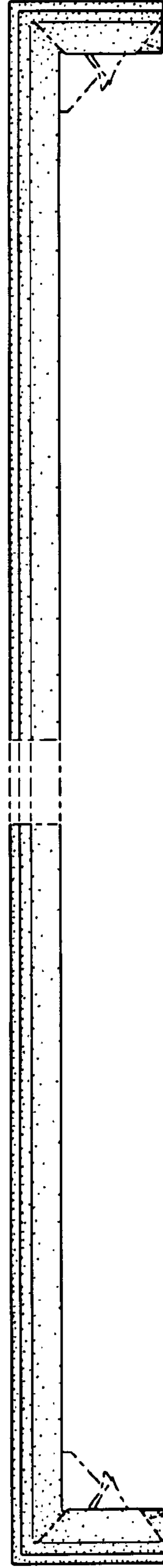


FIGURE 5

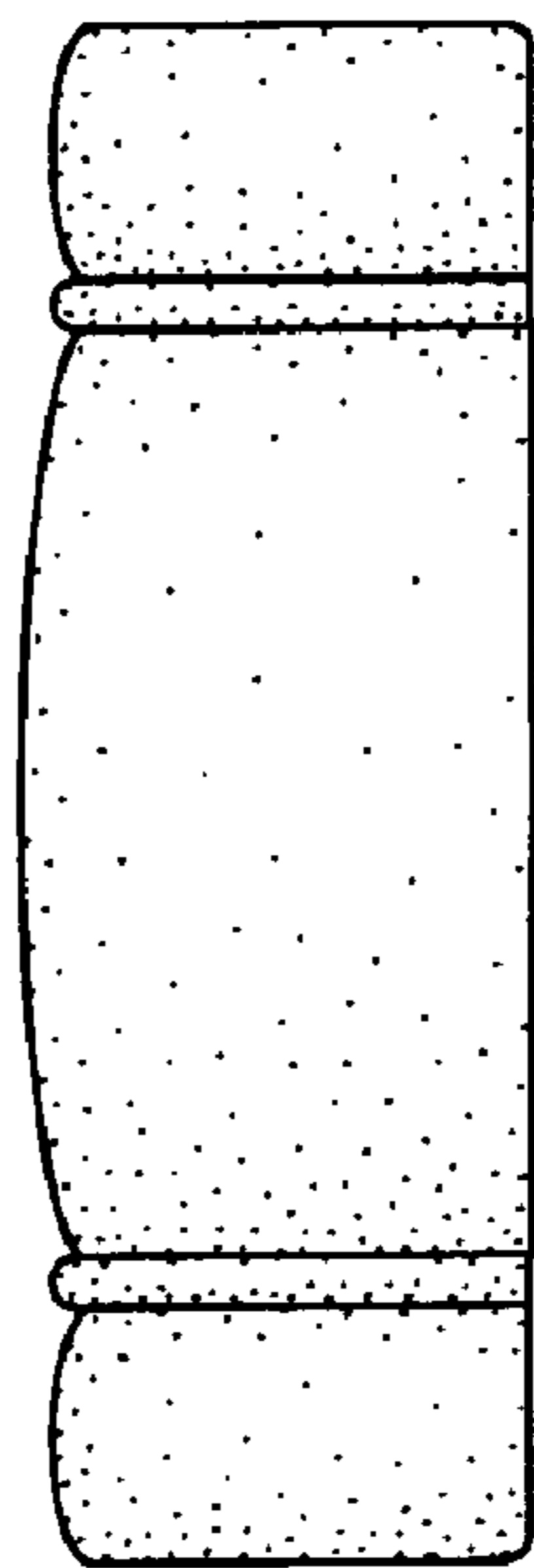


FIGURE 6

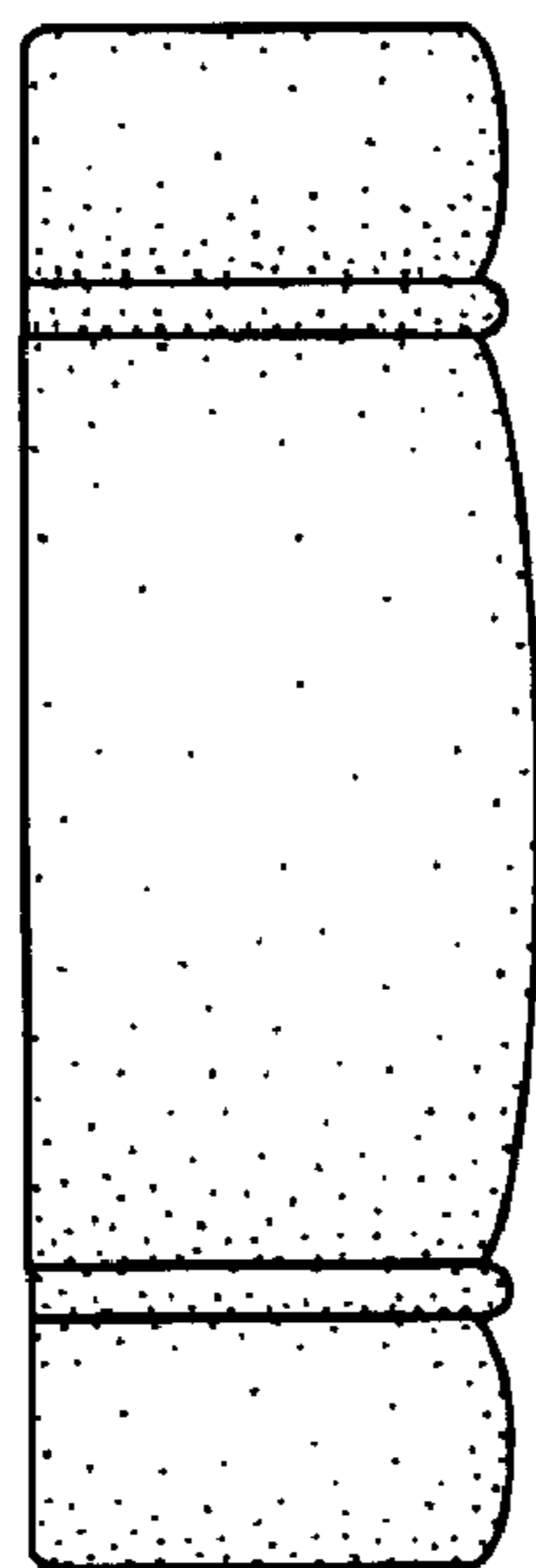


FIGURE 7