

US00D524451S

(12) **United States Design Patent**
Morris

(10) **Patent No.:** **US D524,451 S**

(45) **Date of Patent:** **** Jul. 4, 2006**

(54) **RAILING AND SUNSHADE SUPPORT FOR A POOL**

D417,287 S * 11/1999 Victor et al. D25/41
6,601,245 B1 * 8/2003 Weiss 4/496

(76) Inventor: **Brian Scott Morris**, 785 9th St., SE.,
Forest Lake, MN (US) 55025

* cited by examiner

(**) Term: **14 Years**

Primary Examiner—Doris Clark

(21) Appl. No.: **29/221,855**

(74) *Attorney, Agent, or Firm*—Maeyaest & Maeyaert, LLC

(22) Filed: **Jan. 21, 2005**

(57) **CLAIM**

I claim the ornamental design for a railing and sunshade support for a pool, as shown and described.

(51) **LOC (8) Cl.** **25-02**

DESCRIPTION

(52) **U.S. Cl.** **D25/41**

(58) **Field of Classification Search** D25/41;
4/496; 256/59, 64
See application file for complete search history.

FIG. 1 is a perspective view of the subject of the design invention shown in the environment of a swimming pool and a sunshade umbrella, all but the invention shown in phantom broken lines are for illustrative purposes only and form no part of the claimed design;

(56) **References Cited**

U.S. PATENT DOCUMENTS

5,333,223 A * 7/1994 Schofield et al. 385/84
5,435,028 A * 7/1995 Frala 5/662
5,743,283 A * 4/1998 Horvath 135/16

FIG. 2 is a left side elevation thereof, the right side a mirror image thereof;

FIG. 3 is a rear elevation view thereof;

FIG. 4 is a front elevation view thereof;

FIG. 5 is a bottom plan view thereof; and,

FIG. 6 is a top plan view thereof.

1 Claim, 6 Drawing Sheets

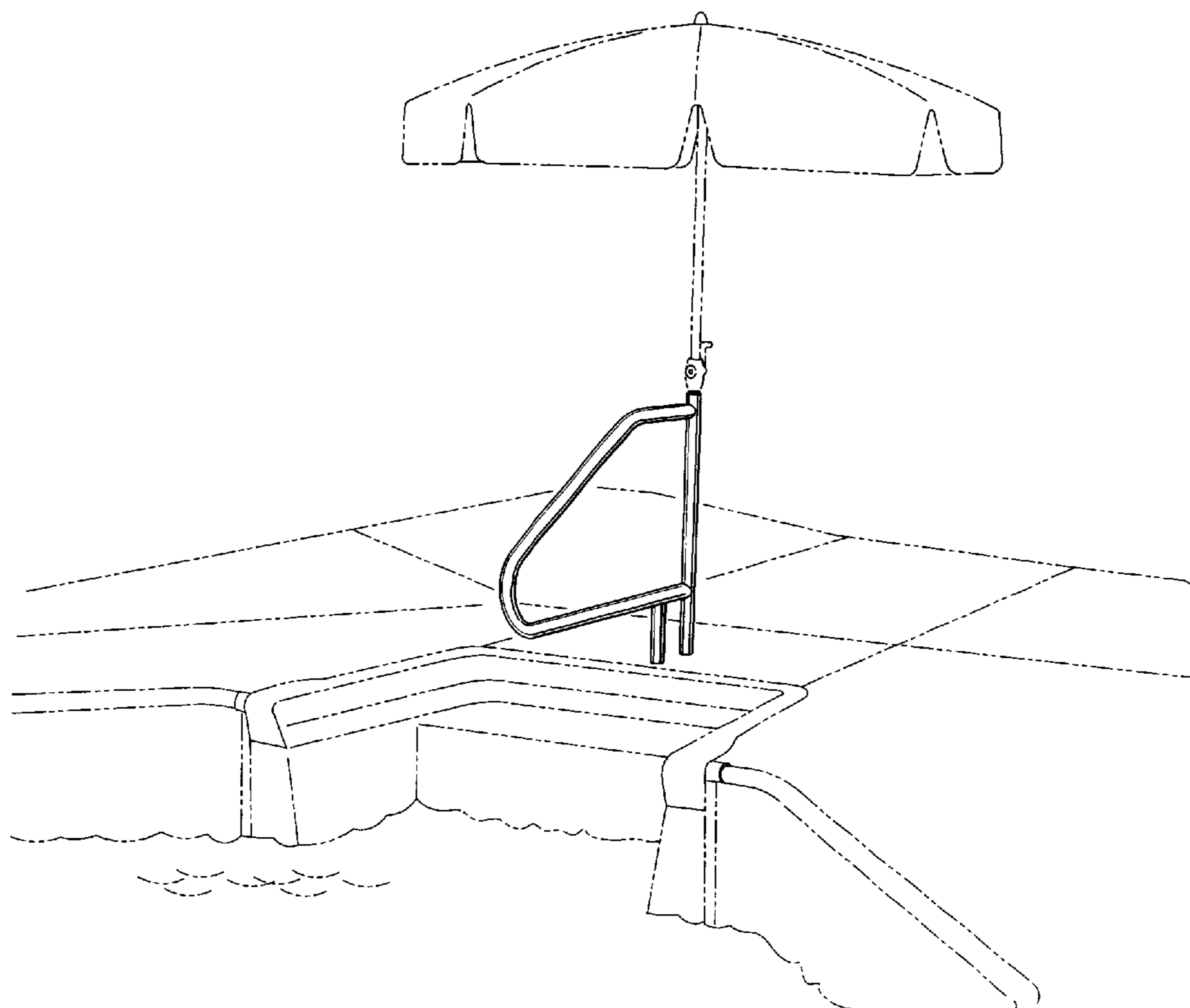


FIG. 1

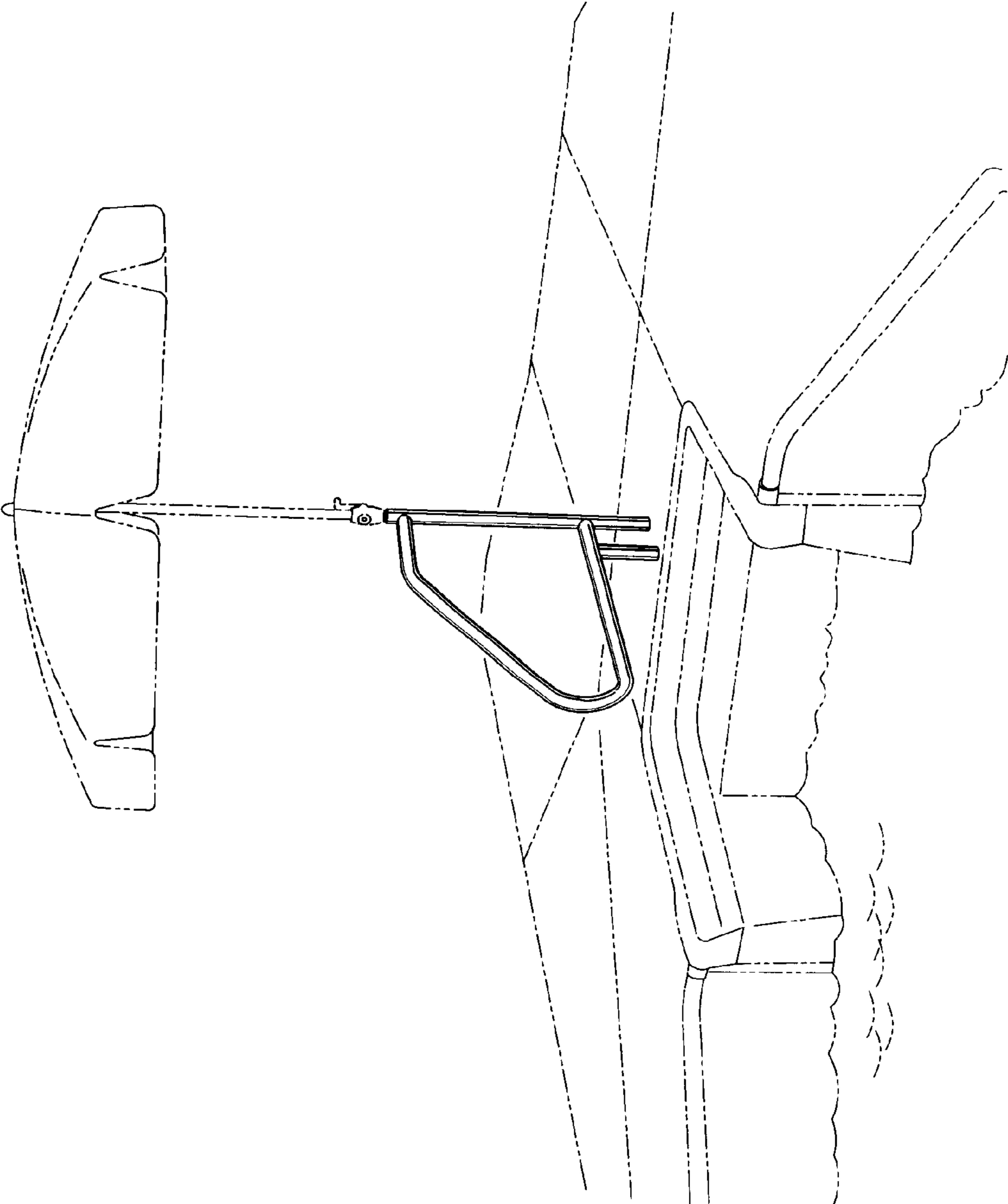


FIG. 2

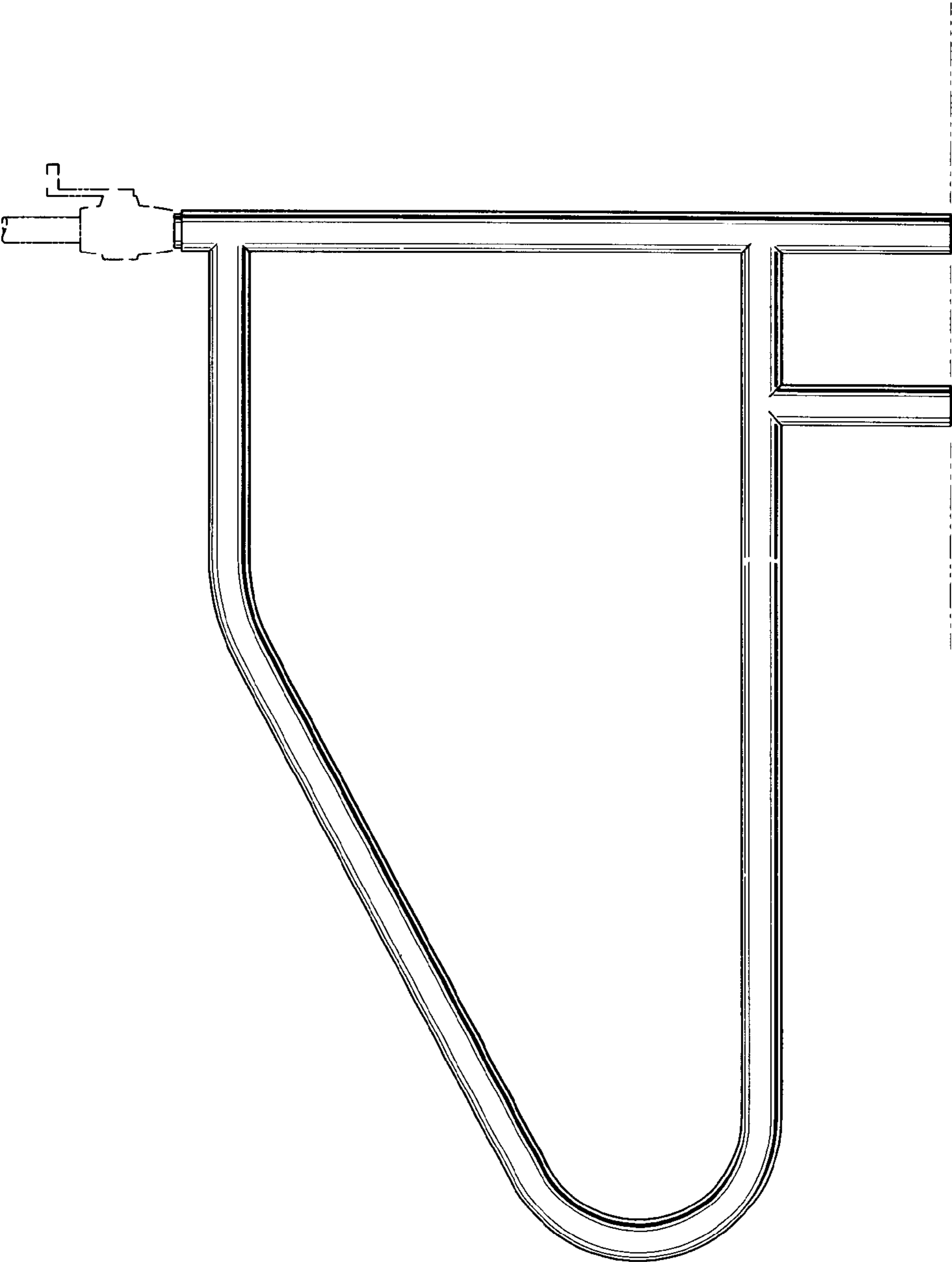


FIG. 3

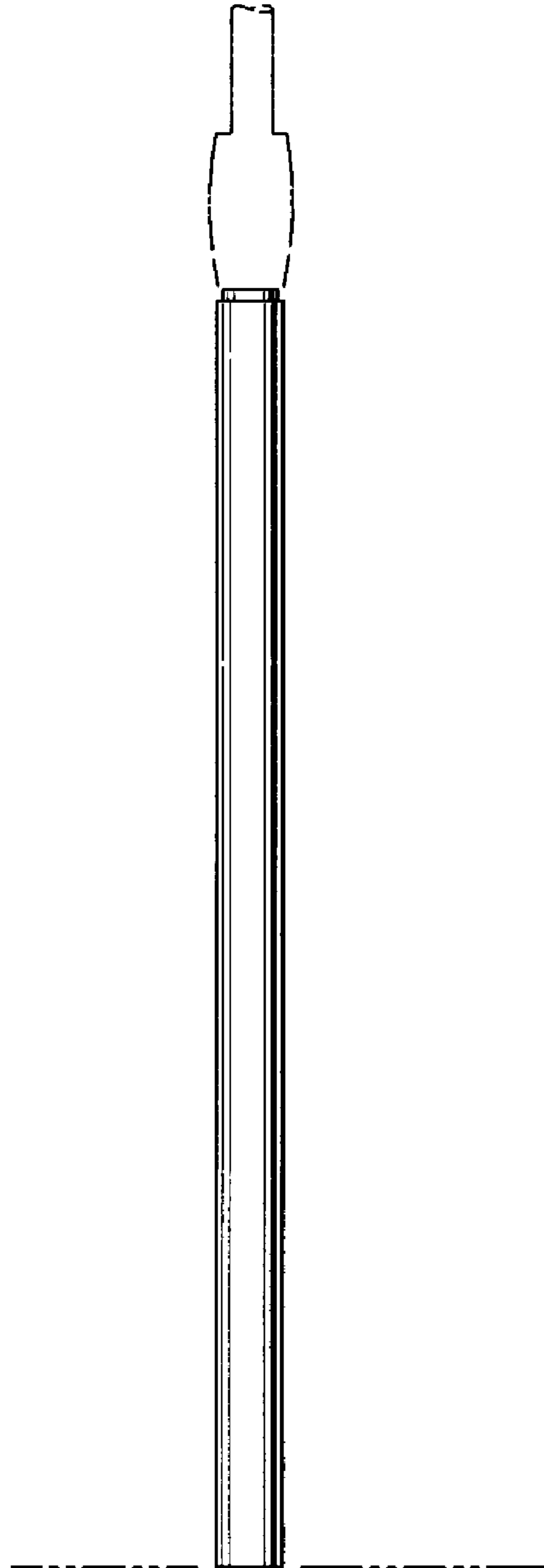


FIG. 4

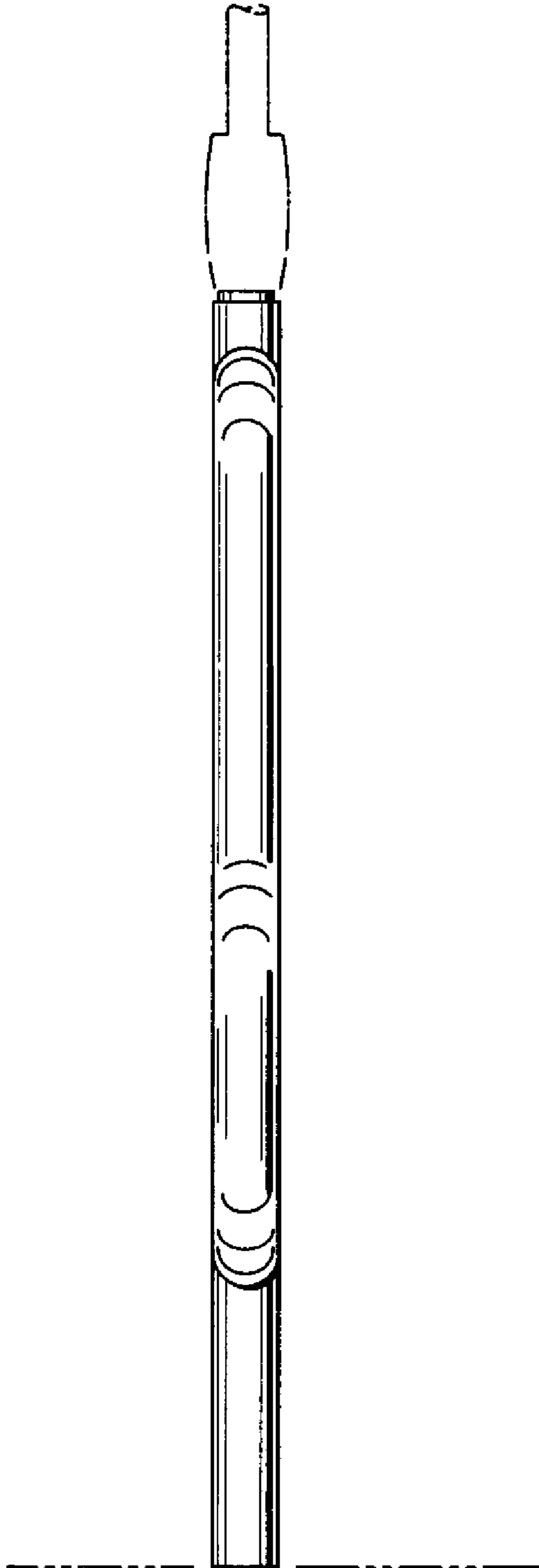


FIG. 5



FIG. 6

