

US00D524449S

(12) **United States Design Patent**
Emerson

(10) **Patent No.:** **US D524,449 S**
(45) **Date of Patent:** **** Jul. 4, 2006**

(54) **ELECTROPHORESIS CASSETTE**

D500,257 S * 12/2004 Hutchison et al. D10/81

(75) Inventor: **Rick E. Emerson**, San Jose, CA (US)

OTHER PUBLICATIONS

(73) Assignee: **Cambrex Bio Science Rockland, Inc.**,
Rockland, ME (US)

Photos and/or drawings depicting devices of a variety of types; pp. 1–30.

(**) Term: **14 Years**

* cited by examiner

(21) Appl. No.: **29/198,011**

Primary Examiner—Antoine D. Davis

(22) Filed: **Jan. 23, 2004**

(74) *Attorney, Agent, or Firm*—Woodcock Washburn LLP

(51) **LOC (8) Cl.** **24-02**

(52) **U.S. Cl.** **D24/233**

(58) **Field of Classification Search** D10/46,
D10/81; 204/616–620, 465–467, 456, 267;
D24/233

See application file for complete search history.

(57) **CLAIM**

The ornamental design for an electrophoresis cassette, as shown and described.

DESCRIPTION

(56) **References Cited**

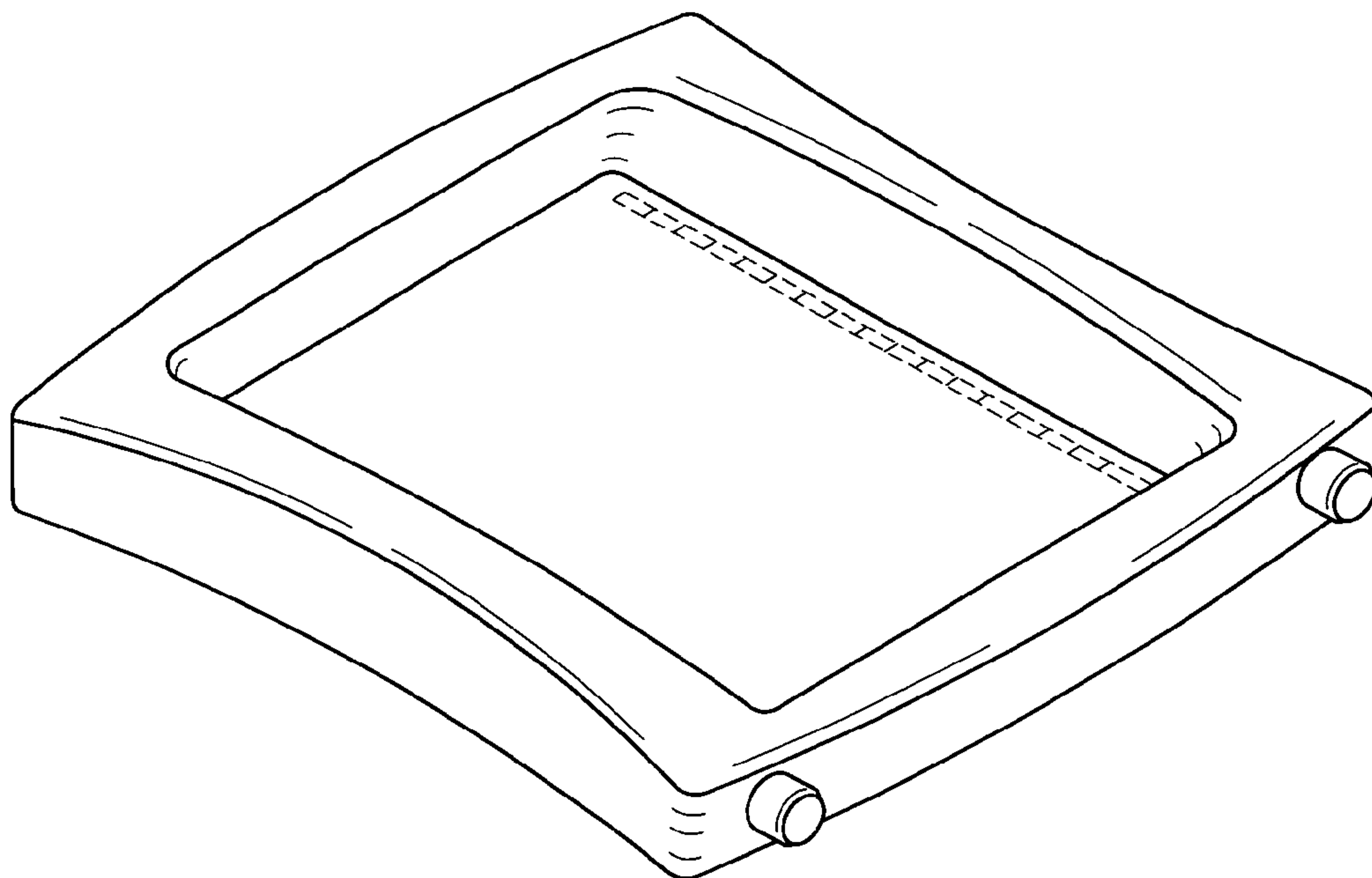
U.S. PATENT DOCUMENTS

5,411,657	A	*	5/1995	Leka	204/618
5,773,645	A	*	6/1998	Hochstrasser	204/456
5,989,403	A	*	11/1999	Provonchee	204/619
D441,459	S	*	5/2001	Ooike et al.	D24/233
D443,068	S	*	5/2001	Manusu et al.	D24/233
6,379,516	B1	*	4/2002	Cabilly et al.	204/456
6,413,402	B1	*	7/2002	Manusu et al.	204/620

FIG. 1 is a perspective view of an electrophoresis cassette showing my new design;
FIG. 2 is a top plan view thereof;
FIG. 3 is a bottom plan view thereof;
FIG. 4 is a front elevational view thereof;
FIG. 5 is a rear elevational view thereof;
FIG. 6 is a left side view thereof; and,
FIG. 7 is a right side view thereof.

The broken lines in the drawings are for illustrative purposes only, and form no part of the claimed design.

1 Claim, 5 Drawing Sheets



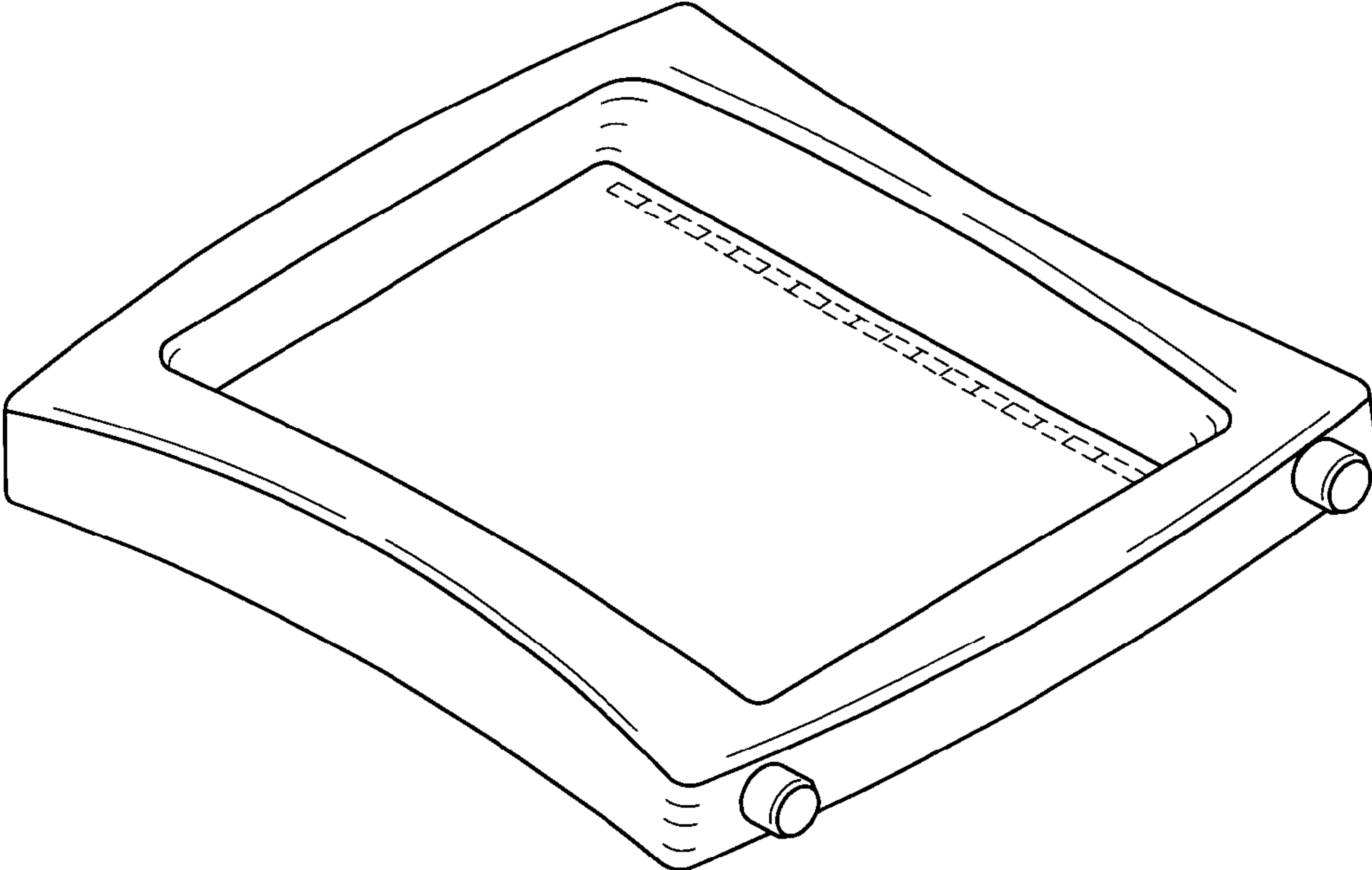


Fig. 1

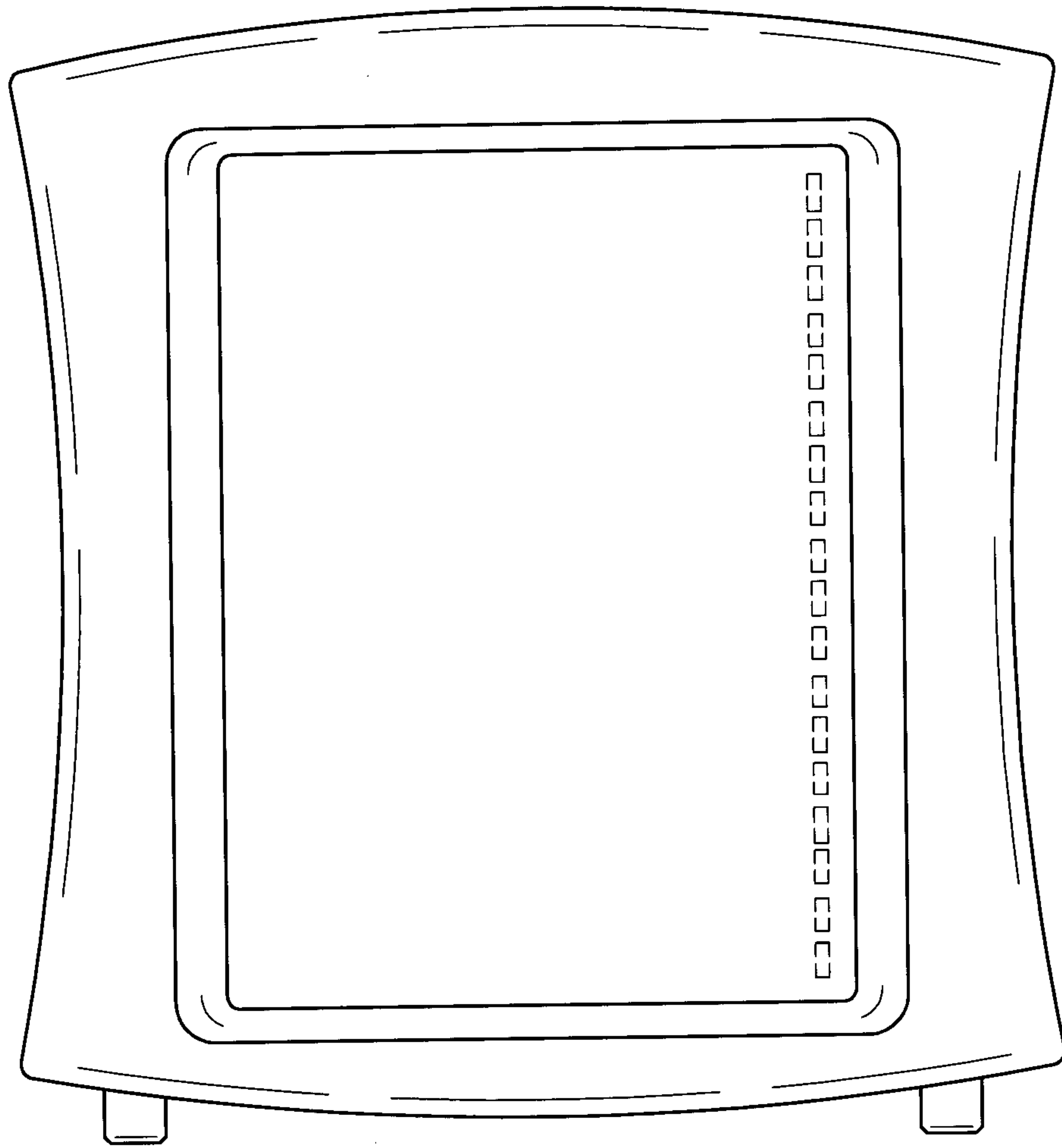


Fig. 2

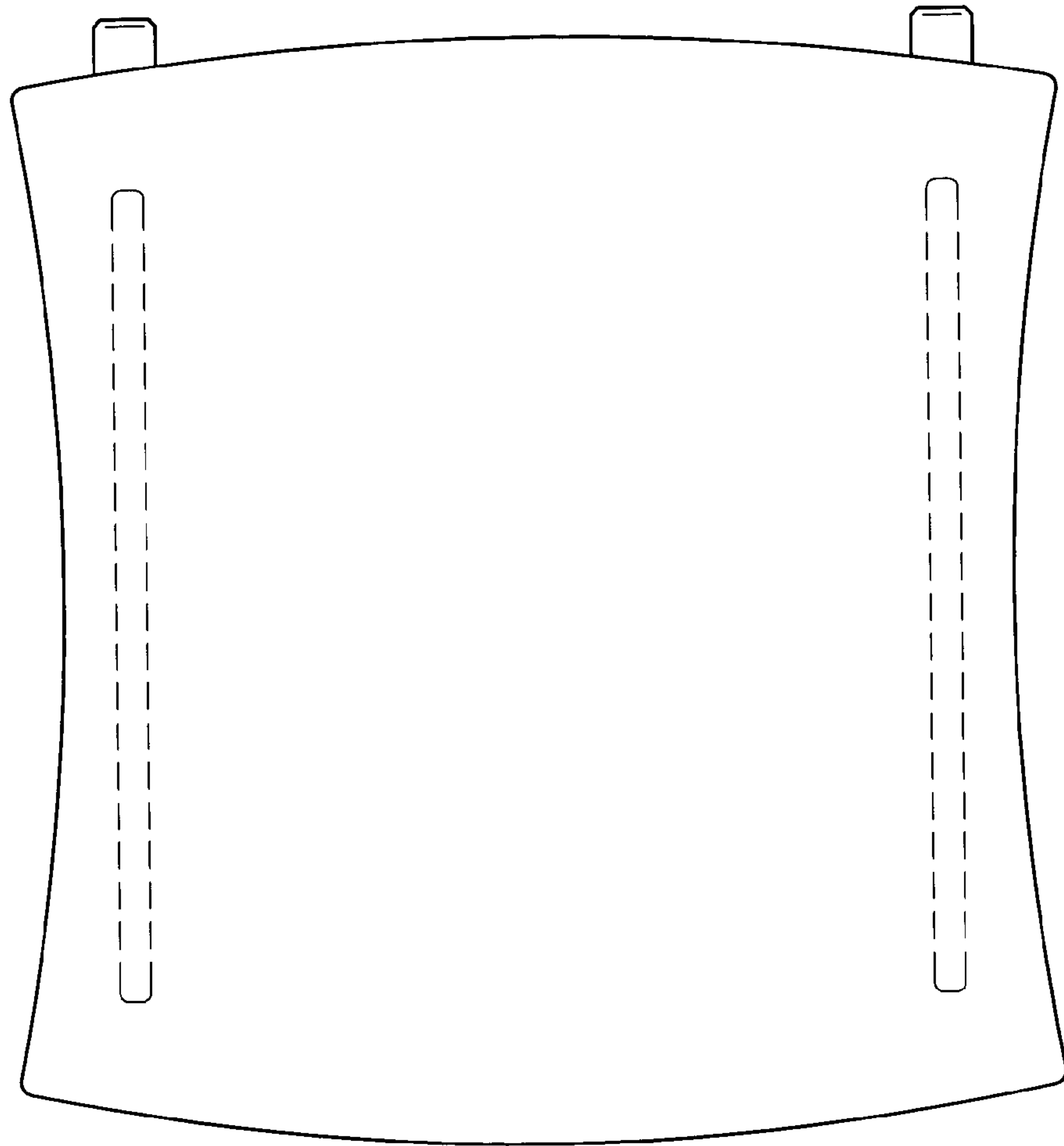


Fig. 3

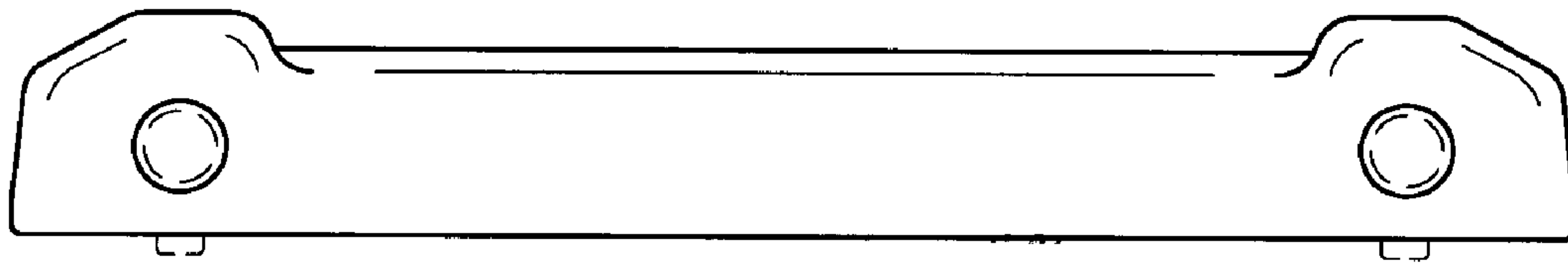


Fig. 4

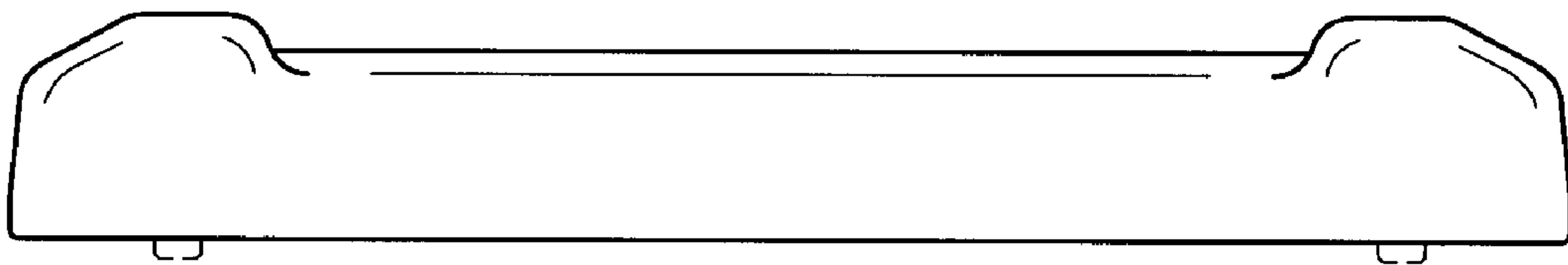


Fig. 5

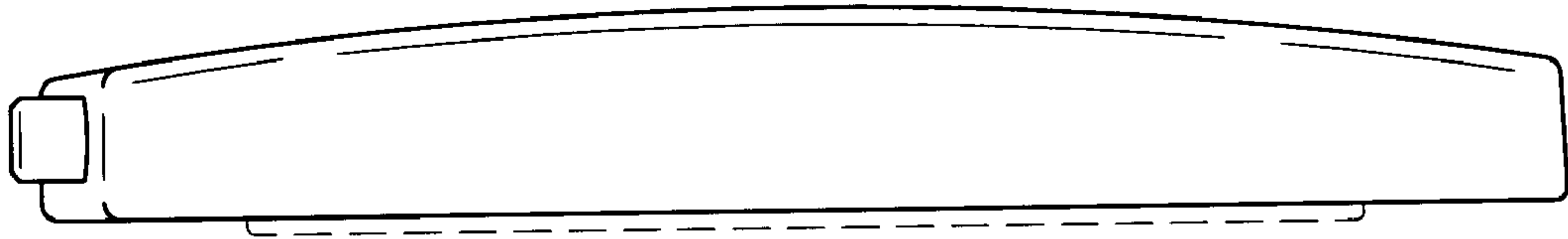


Fig. 6

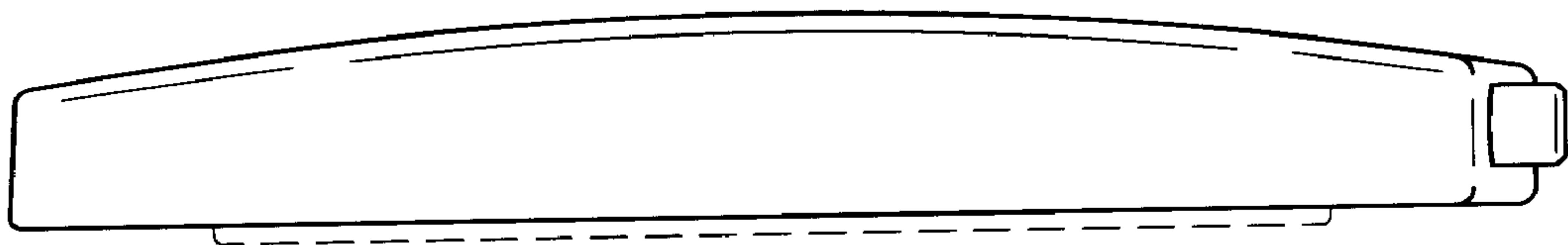


Fig. 7