



US00D524447S

(12) **United States Design Patent**
Yu

(10) **Patent No.:** **US D524,447 S**

(45) **Date of Patent:** **** Jul. 4, 2006**

(54) **MASSAGER**

(75) Inventor: **Chong-Fa Yu**, Panchiao (TW)

(73) Assignee: **Mini-Dolphin Industrial Co., Ltd.**,
Taipei Hsien (TW)

(**) Term: **14 Years**

(21) Appl. No.: **29/209,860**

(22) Filed: **Jul. 21, 2004**

(51) **LOC (8) Cl.** **28-03**

(52) **U.S. Cl.** **D24/215**

(58) **Field of Classification Search** D24/200,
D24/211, 214, 215; 601/84, 85, 87, 118, 119,
601/123, 125, 126, 128, 130, 131, 134, 136,
601/137, 48, 46, 101, 80, 70, 67, 162
See application file for complete search history.

(56) **References Cited**

U.S. PATENT DOCUMENTS

- D171,941 S * 4/1954 Iannelli D24/214
- D345,424 S * 3/1994 Gudein D24/215
- D351,474 S * 10/1994 Huang D24/211
- D354,571 S * 1/1995 Monti D24/215

- D364,231 S * 11/1995 Kou et al. D24/215
- D423,109 S * 4/2000 Allende D24/215
- D455,837 S * 4/2002 Kim D24/215
- D476,087 S * 6/2003 Dirks et al. D24/215

* cited by examiner

Primary Examiner—Ian Simmons

Assistant Examiner—Melanie Levy

(57) **CLAIM**

The ornamental design for a massager, as shown and described.

DESCRIPTION

FIG. 1 is a perspective view of massager showing my new design;

FIG. 2 is a front elevational view thereof;

FIG. 3 is a rear elevational view thereof;

FIG. 4 is a left side elevational view thereof;

FIG. 5 is right side elevational view thereof;

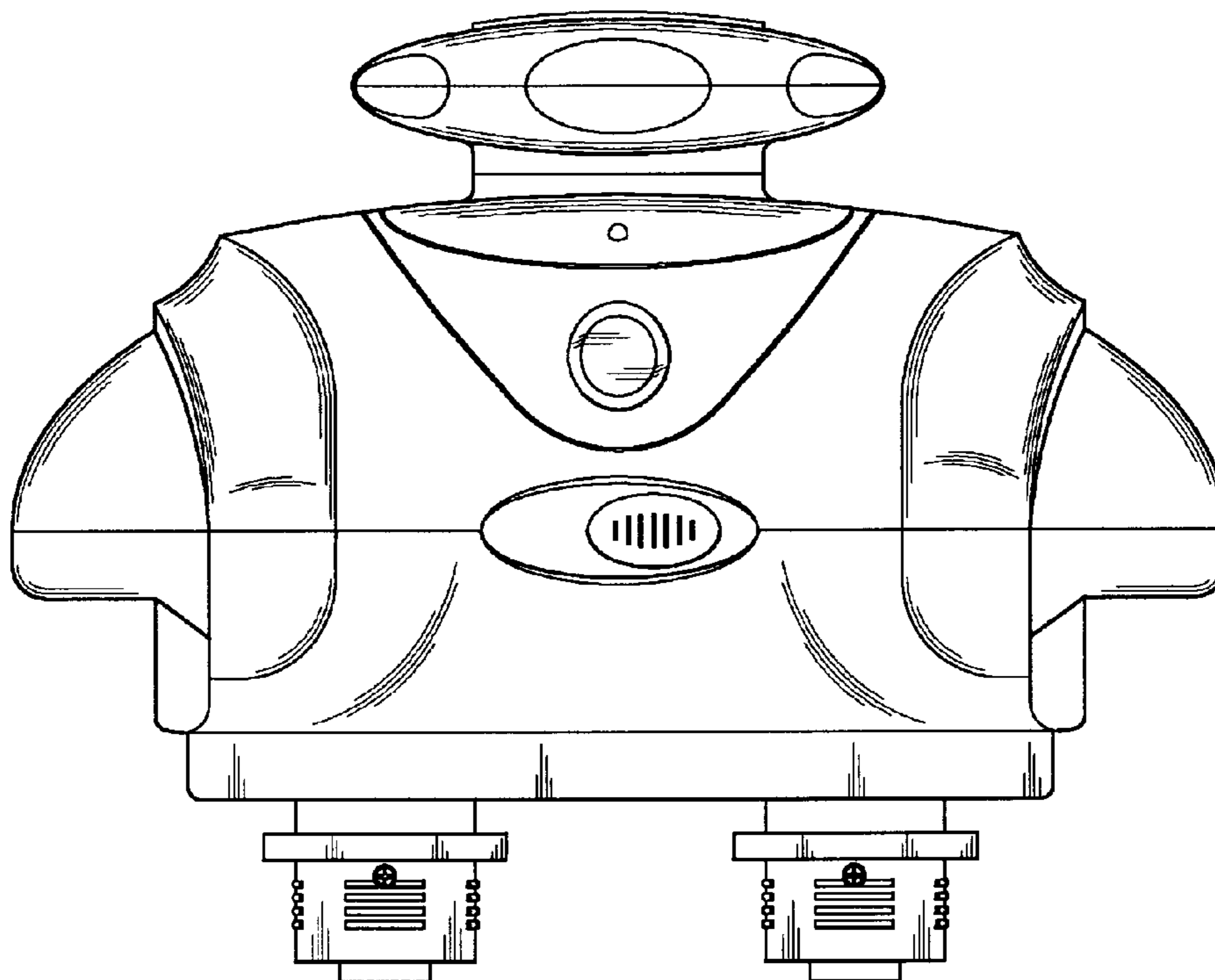
FIG. 6 is a top view thereof;

FIG. 7 is a bottom view thereof; and,

FIG. 8 is another front elevational view thereof.

The broken lines are for illustrative purposes only and form no part of the claimed design.

1 Claim, 8 Drawing Sheets



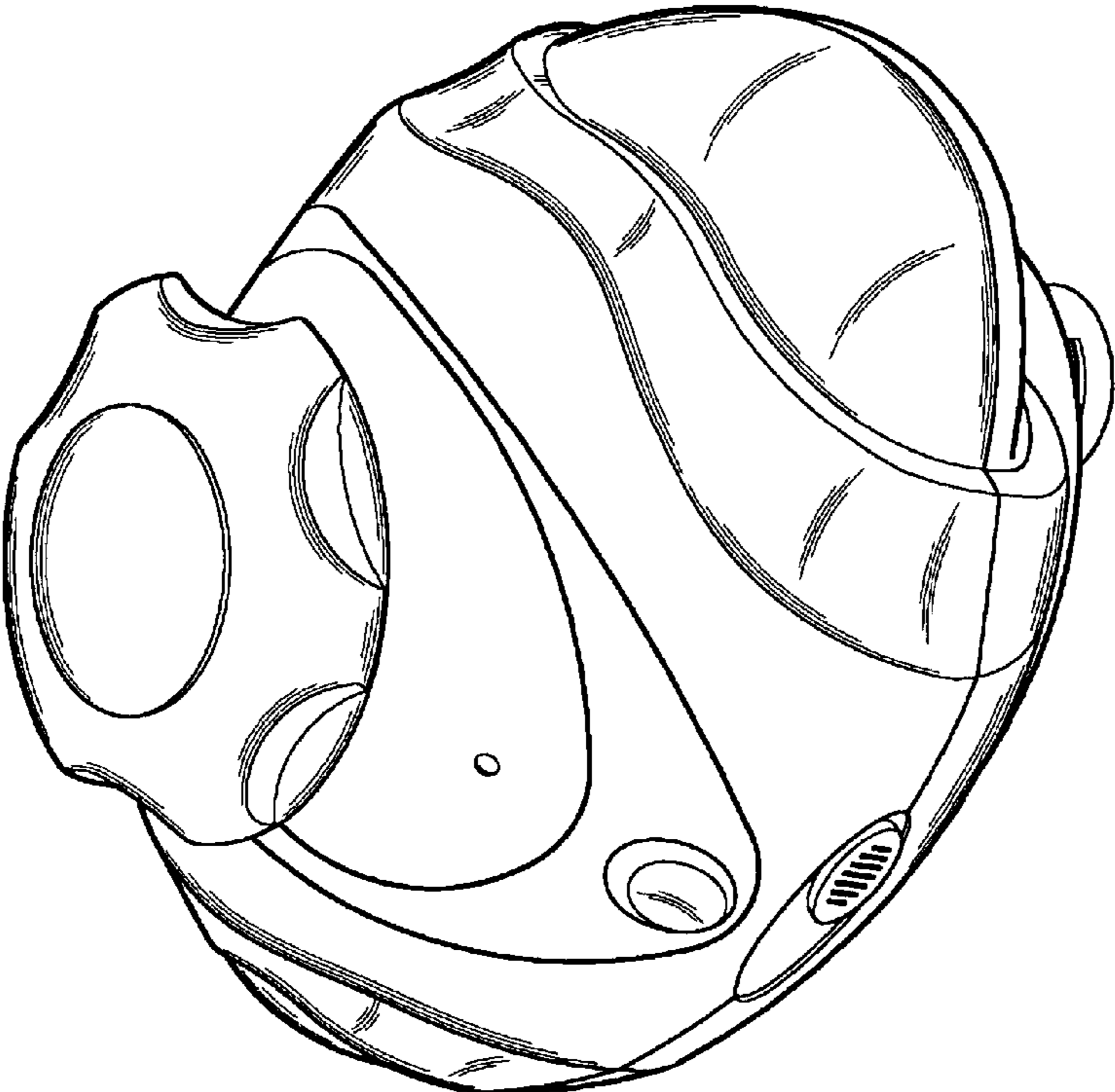


FIG. 1

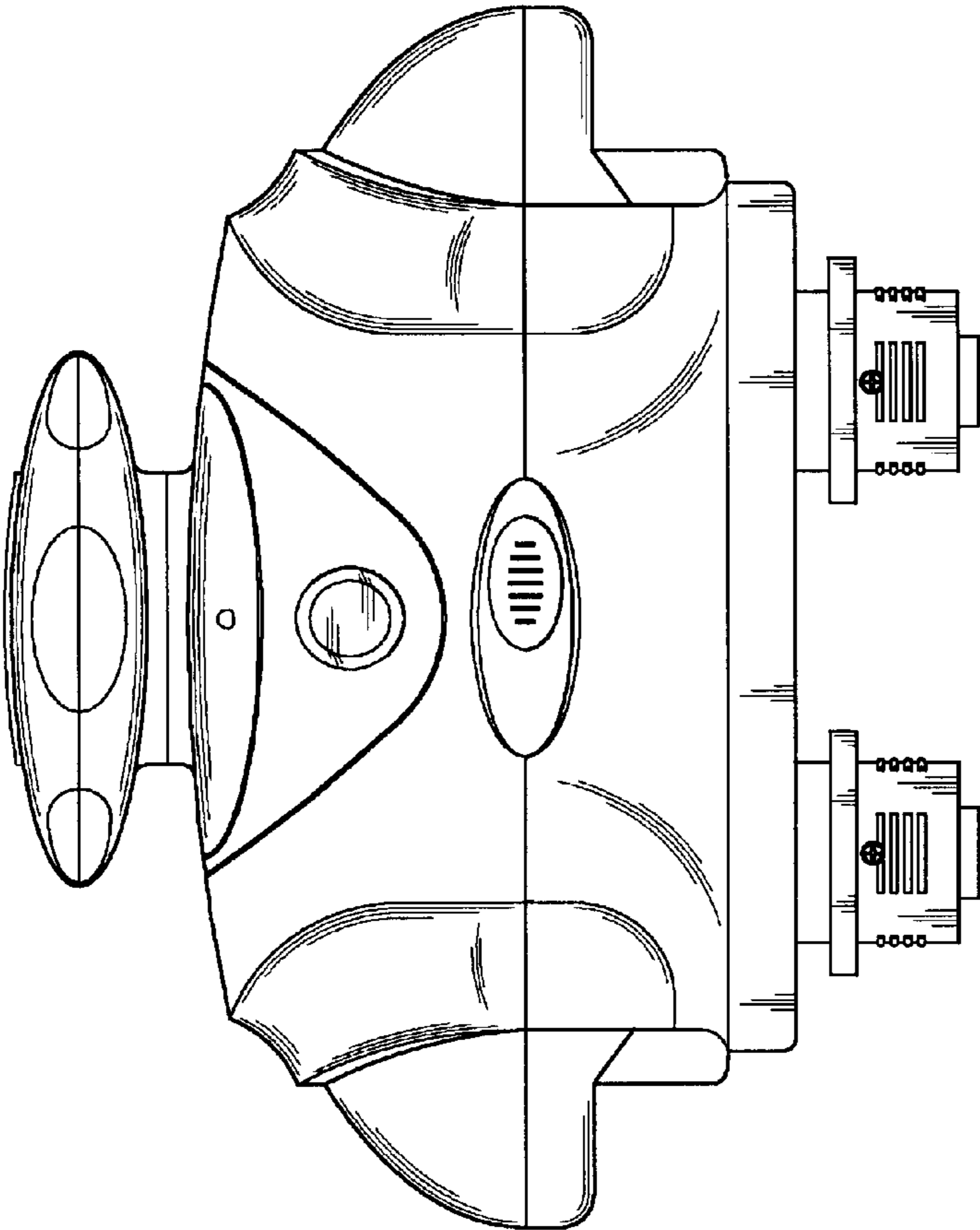


FIG. 2

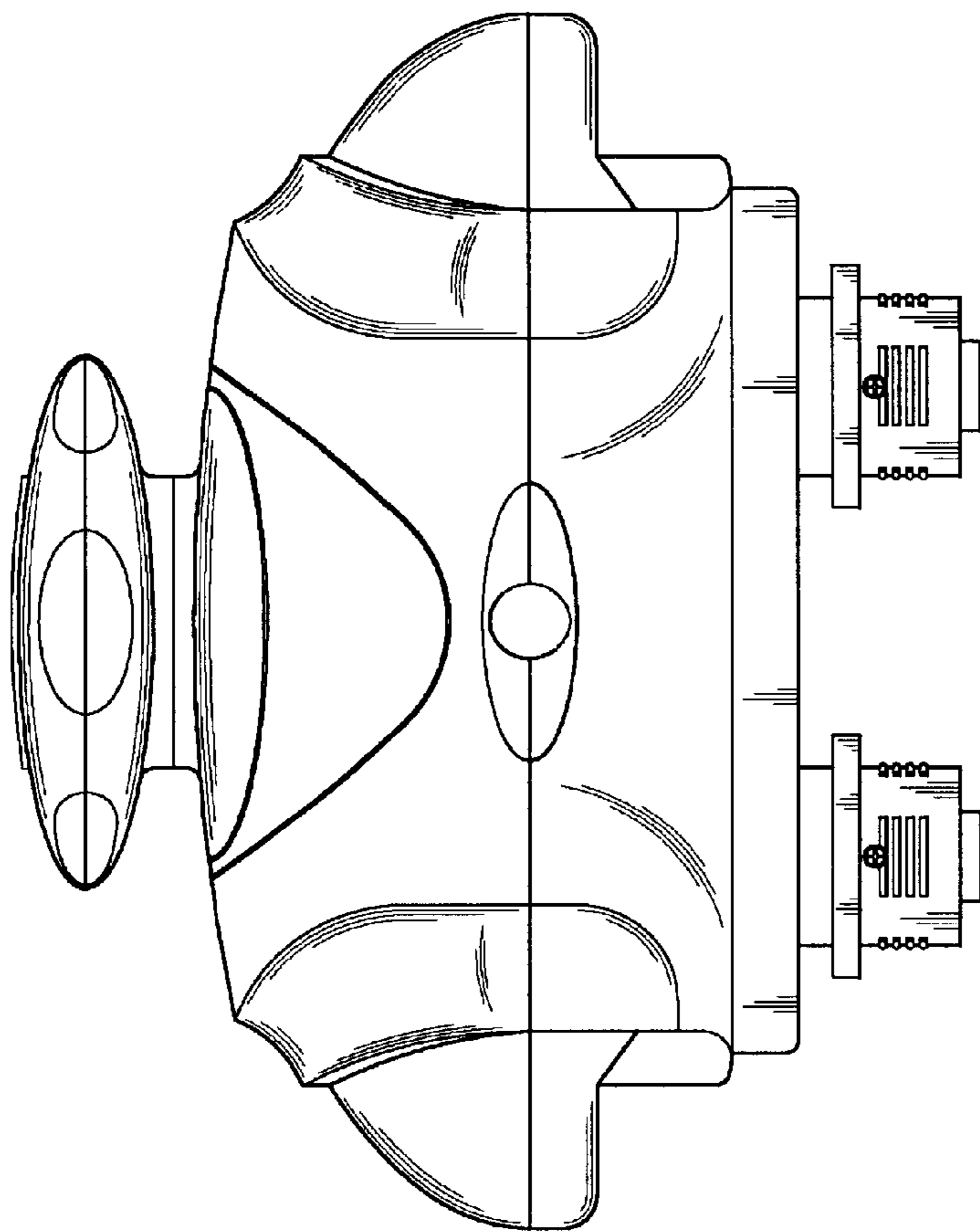


FIG. 3

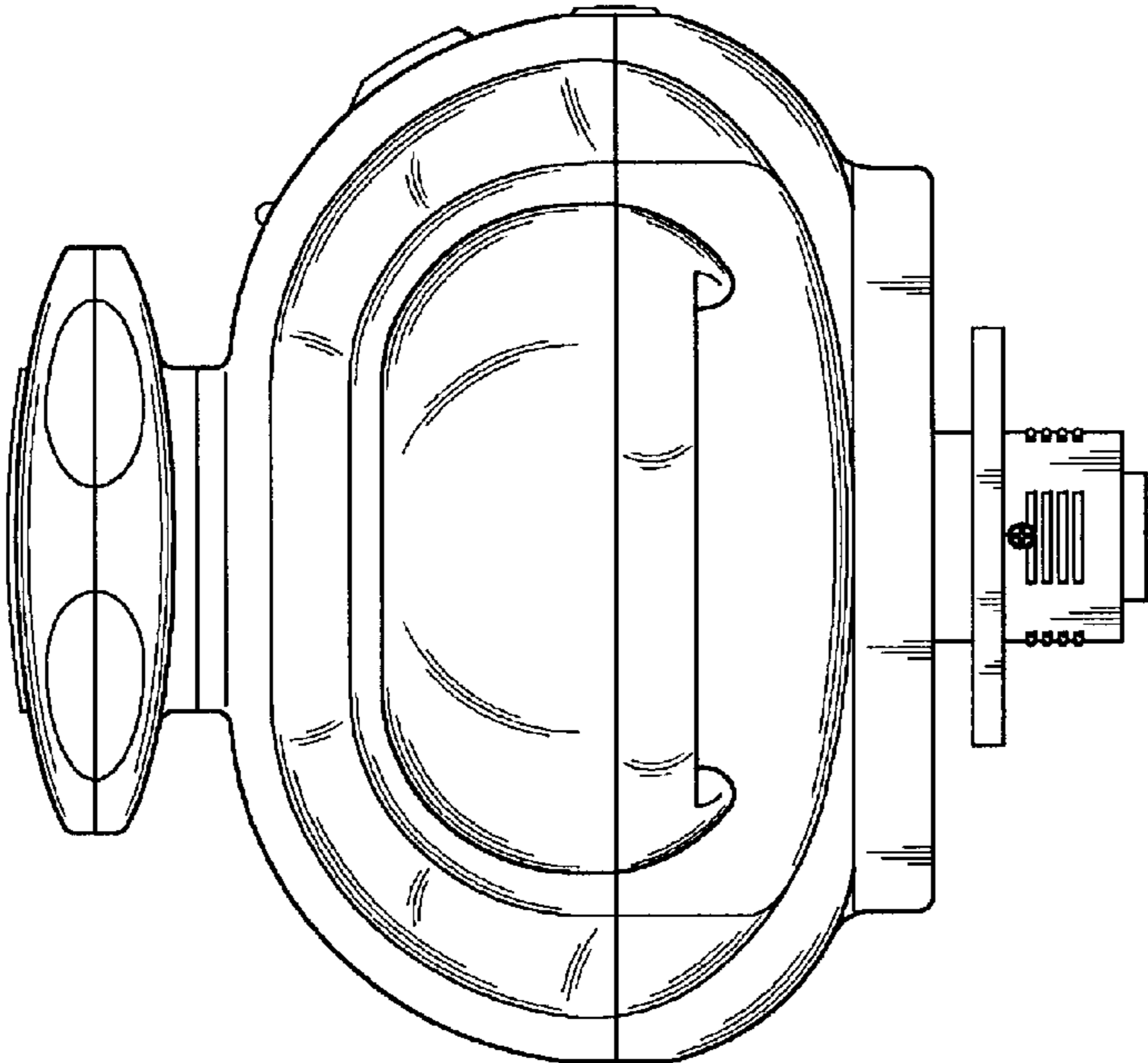


FIG. 4

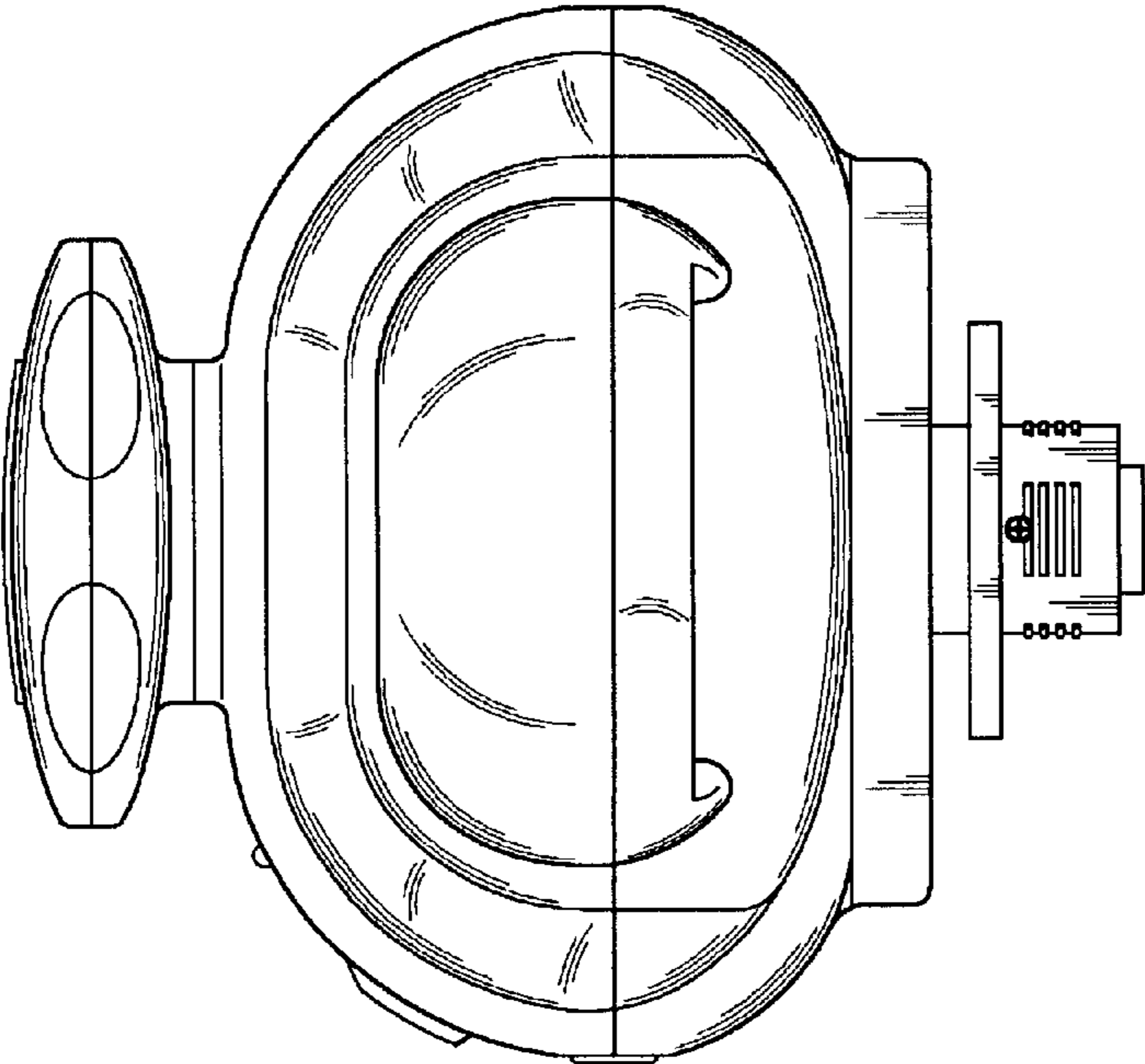


FIG. 5

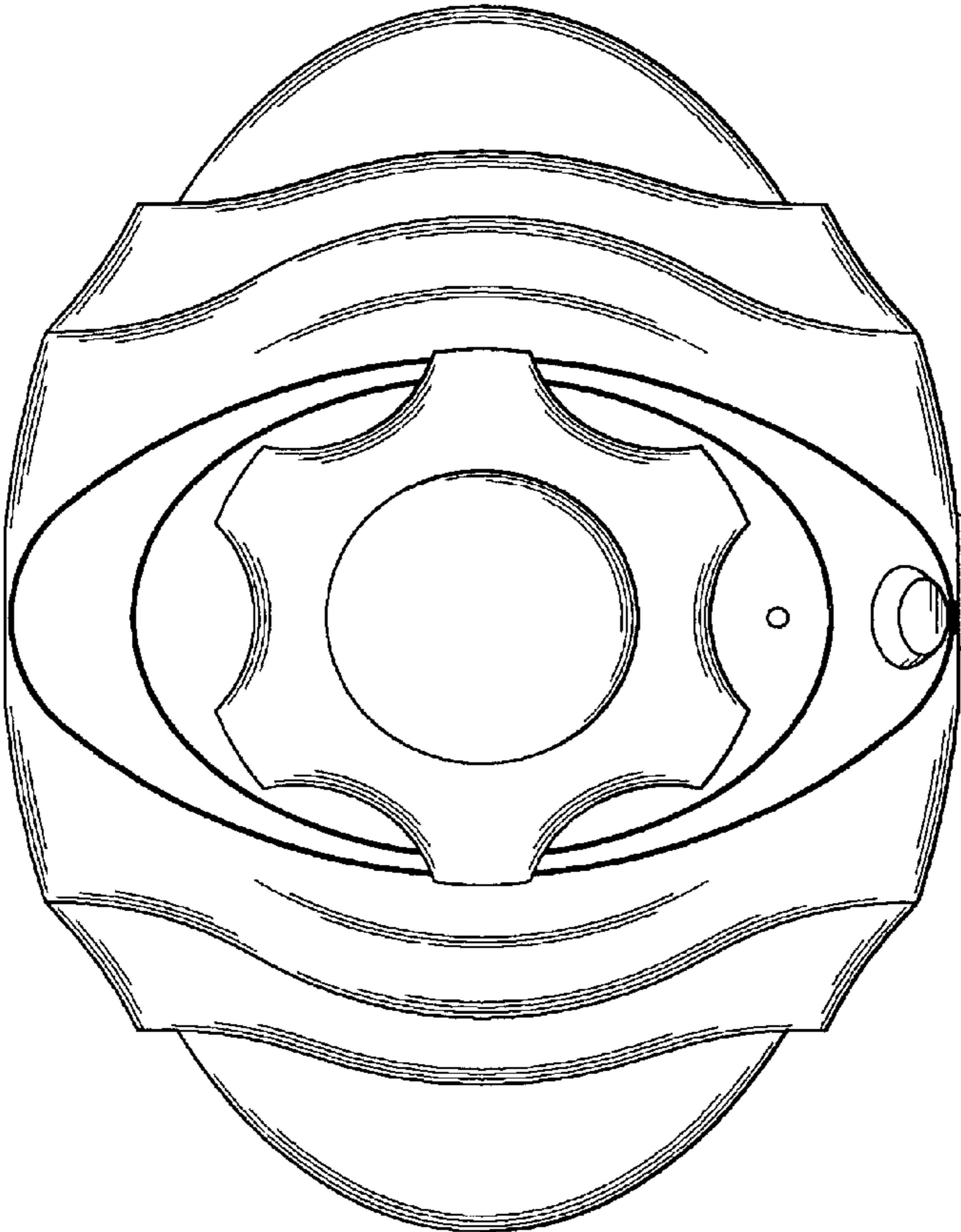


FIG. 6

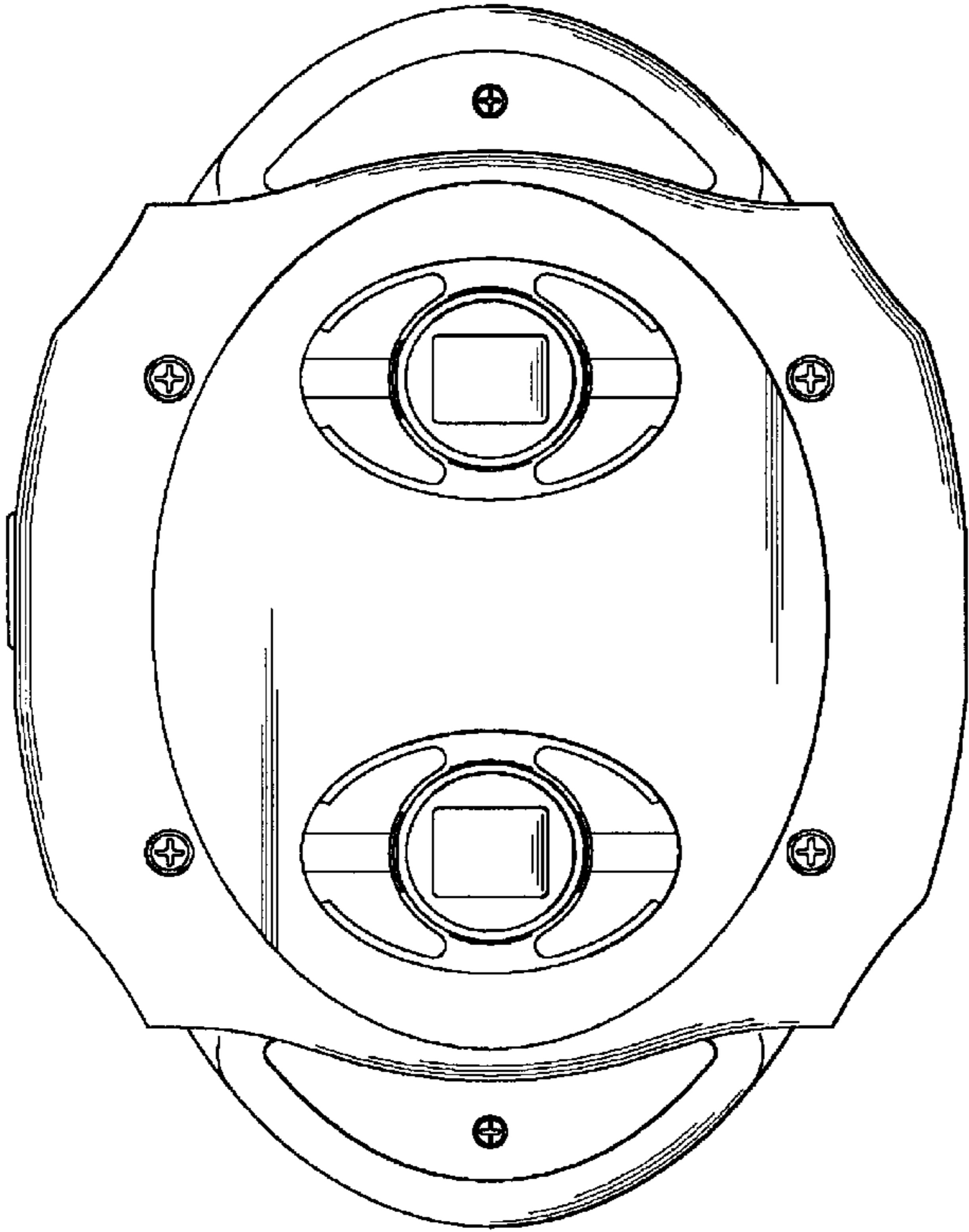


FIG. 7

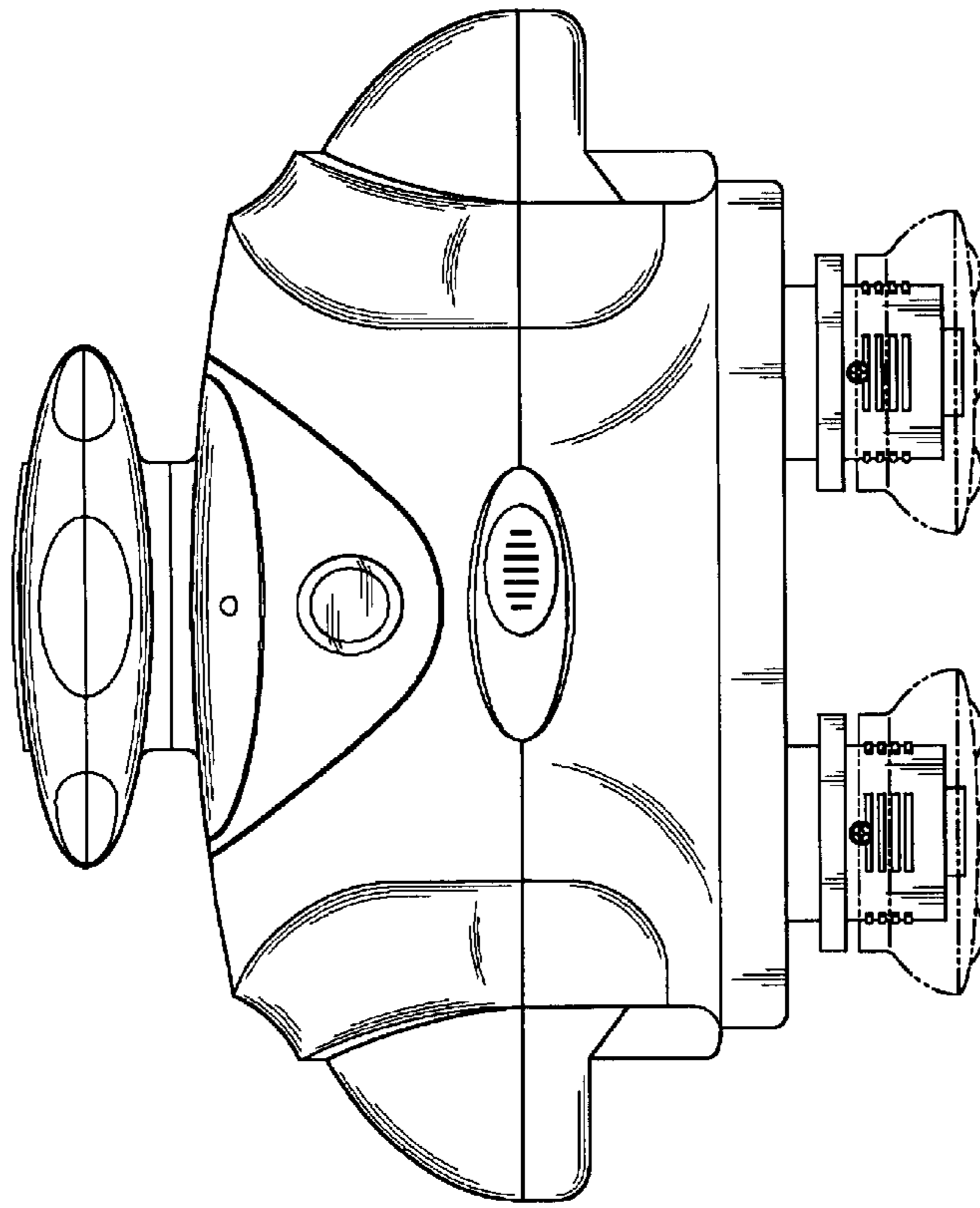


FIG. 8