

US00D524443S

(12) **United States Design Patent**
Blain

(10) **Patent No.:** **US D524,443 S**

(45) **Date of Patent:** **** Jul. 4, 2006**

(54) **INTERBODY FUSION DEVICE**

(75) Inventor: **Jason Blain**, Encinitas, CA (US)

(73) Assignee: **Quantum Orthopedics, Inc.**, Carlsbad, CA (US)

(**) Term: **14 Years**

(21) Appl. No.: **29/242,035**

(22) Filed: **Nov. 4, 2005**

(51) **LOC (8) Cl.** **24-03**

(52) **U.S. Cl.** **D24/155**

(58) **Field of Classification Search** D24/155;
606/61, 72, 74; 623/17.16, 17.17, 11.11
See application file for complete search history.

(56) **References Cited**

U.S. PATENT DOCUMENTS

5,425,772 A	6/1995	Brantigan	
5,443,514 A	8/1995	Steffee	
5,484,437 A	1/1996	Michelson	
5,658,337 A	8/1997	Kohrs et al.	
5,669,909 A	9/1997	Zdeblick et al.	
5,782,919 A	7/1998	Zdeblick et al.	
5,888,223 A	3/1999	Bray, Jr.	
5,888,224 A	3/1999	Beckers et al.	
5,984,967 A	11/1999	Zdeblick et al.	
6,080,158 A	6/2000	Lin	
6,120,502 A	9/2000	Michelson	
6,132,465 A	10/2000	Ray et al.	
6,231,610 B1	5/2001	Geisler	
6,235,059 B1	5/2001	Benezech et al.	
6,245,108 B1	6/2001	Biscup	
6,290,724 B1	9/2001	Marino	
6,325,827 B1	12/2001	Lin	
6,342,055 B1	1/2002	Eisermann et al.	
6,375,655 B1 *	4/2002	Zdeblick et al.	623/17.11
6,409,766 B1 *	6/2002	Brett	623/17.16
6,432,106 B1	8/2002	Fraser	
6,482,233 B1	11/2002	Aebi et al.	
6,491,724 B1 *	12/2002	Ferree	623/17.11
D472,633 S *	4/2003	Anderson	D24/155
D472,634 S *	4/2003	Anderson	D24/155

D473,650 S *	4/2003	Anderson	D24/155
6,613,091 B1 *	9/2003	Zdeblick et al.	623/17.16
6,676,703 B1	1/2004	Biscup	
6,730,127 B1	5/2004	Michelson	
6,746,484 B1 *	6/2004	Liu et al.	623/17.16
D493,225 S	7/2004	Varga et al.	
D494,274 S	8/2004	Varga et al.	
6,824,564 B1 *	11/2004	Crozet	623/17.11
D501,555 S	2/2005	Varga et al.	
D503,801 S *	4/2005	Jackson	D24/155
6,942,698 B1 *	9/2005	Jackson	623/17.16
6,955,691 B1 *	10/2005	Chae et al.	623/17.16
6,964,687 B1 *	11/2005	Bernard et al.	623/17.16
2002/0099376 A1	7/2002	Michelson	
2002/0103540 A1	8/2002	Cooper et al.	
2002/0143400 A1	10/2002	Biscup	
2003/0114931 A1	6/2003	Lee et al.	
2003/0139812 A1	7/2003	Garcia et al.	
2004/0117020 A1	6/2004	Frey et al.	
2004/0127990 A1	7/2004	Bartish, Jr. et al.	
2005/0004671 A1	1/2005	Ross et al.	
2005/0027360 A1	2/2005	Webb et al.	
2005/0038431 A1	2/2005	Bartish et al.	
2005/0096745 A1	5/2005	Andre et al.	

* cited by examiner

Primary Examiner—Charles A. Rademaker
(74) *Attorney, Agent, or Firm*—Knobbe Martens Olson & Bear, LLP

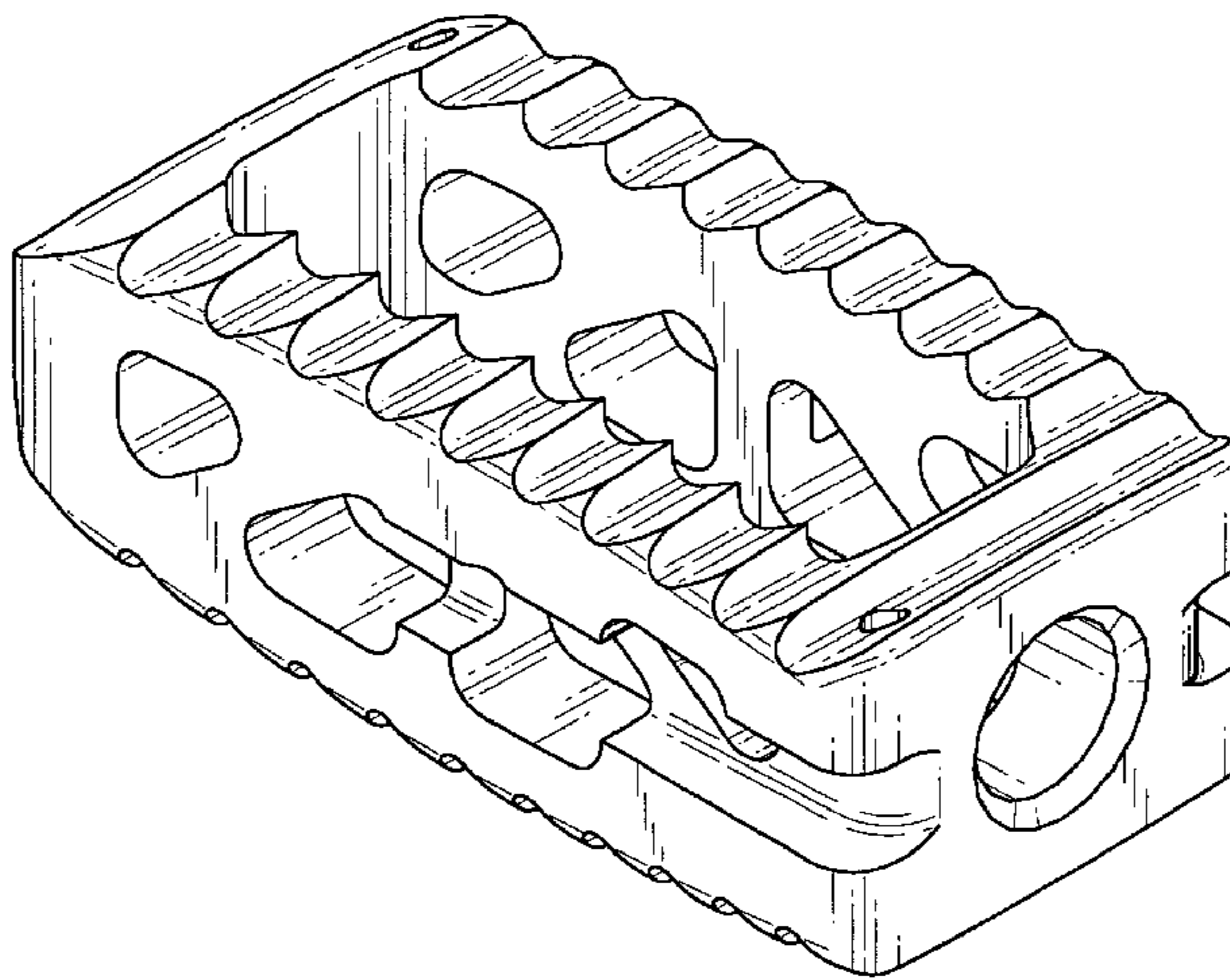
(57) **CLAIM**

The ornamental design for an interbody fusion device, as shown and described.

DESCRIPTION

FIG. 1 is a rear perspective view of an interbody fusion device showing my new design;
FIG. 2 is a front elevation thereof;
FIG. 3 is a rear elevation thereof;
FIG. 4 is a right side elevation thereof, the side opposite being a mirror image;
FIG. 5 is a top plan view thereof; and,
FIG. 6 is a bottom plan view thereof.

1 Claim, 4 Drawing Sheets



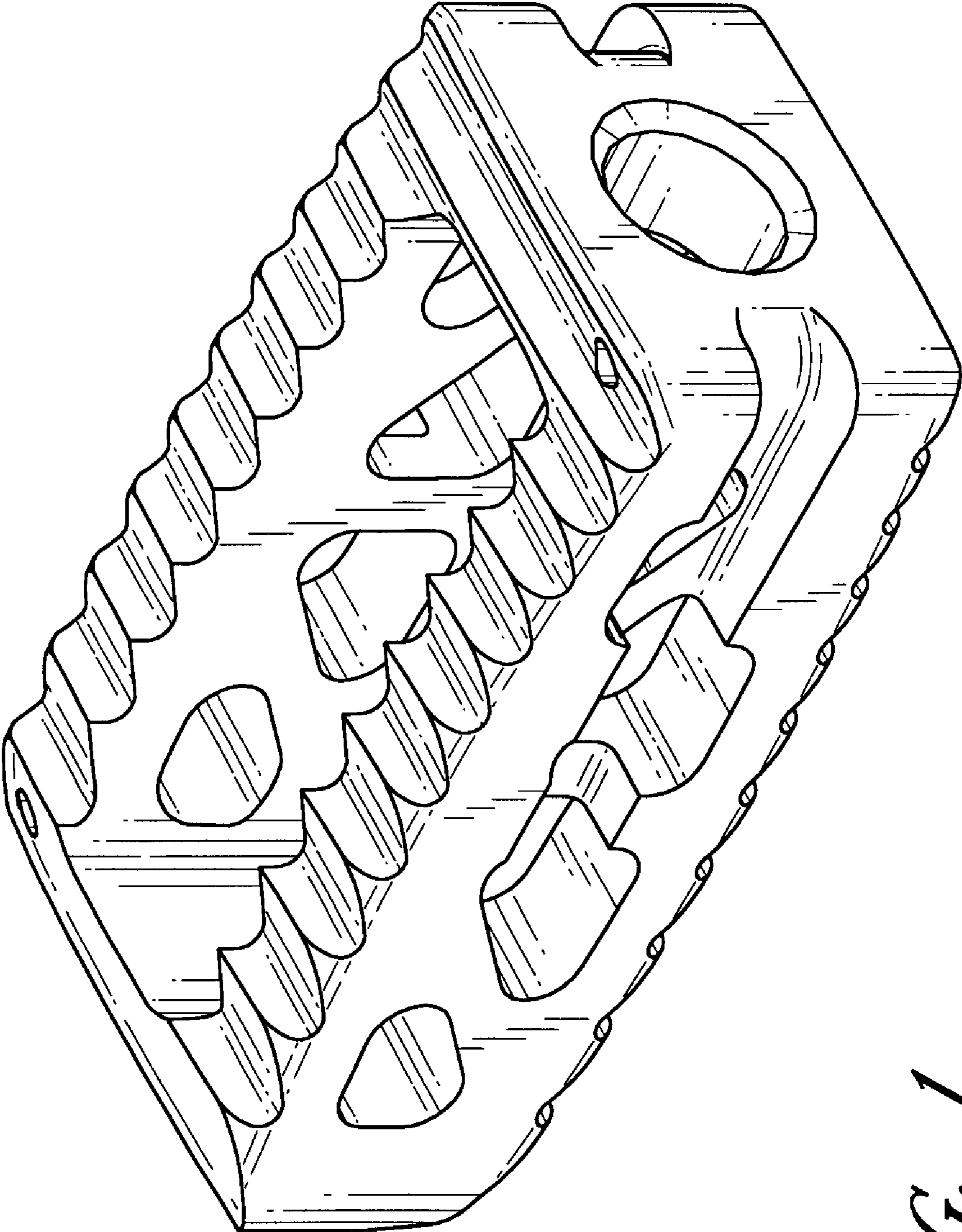


FIG. 1

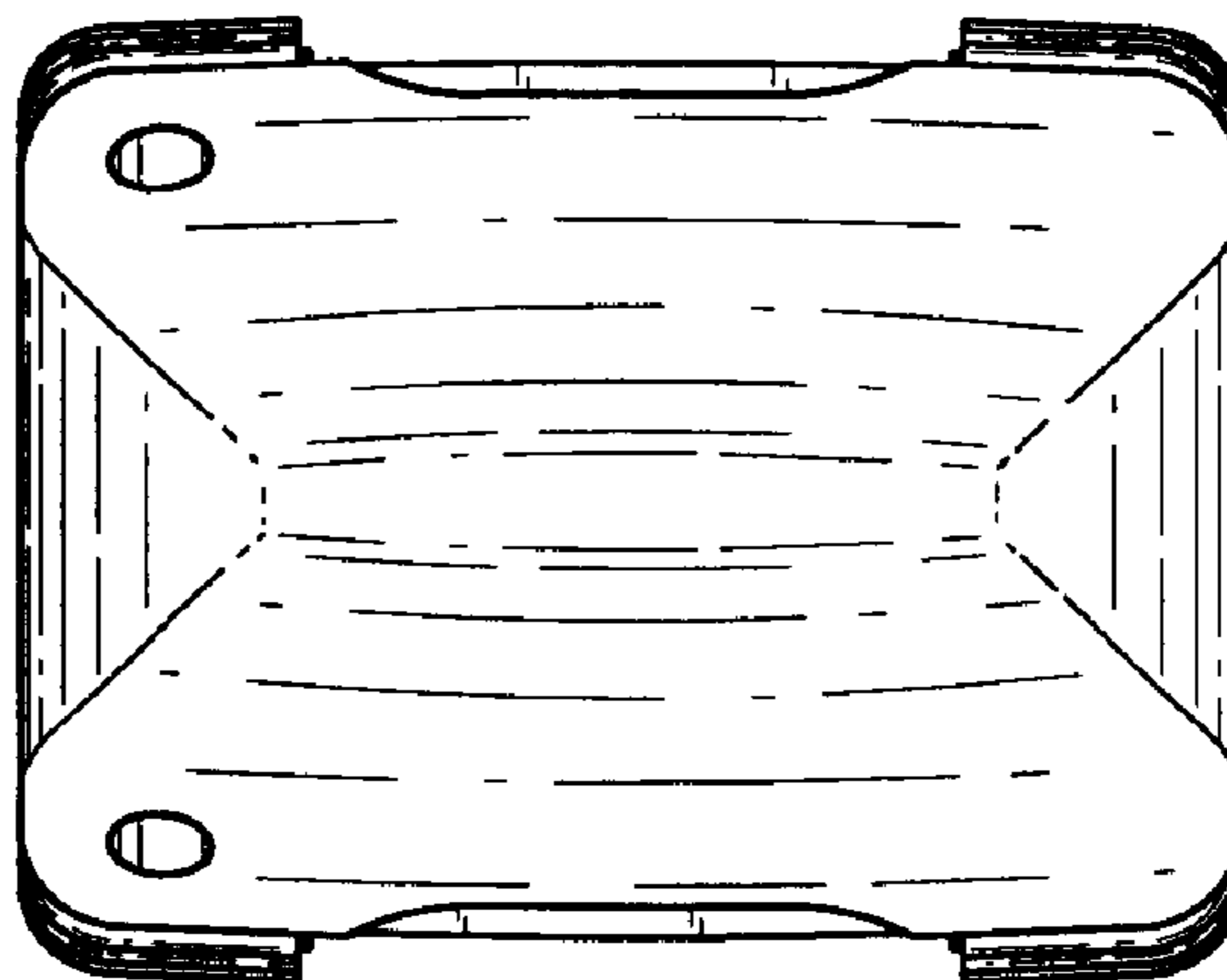


FIG. 2

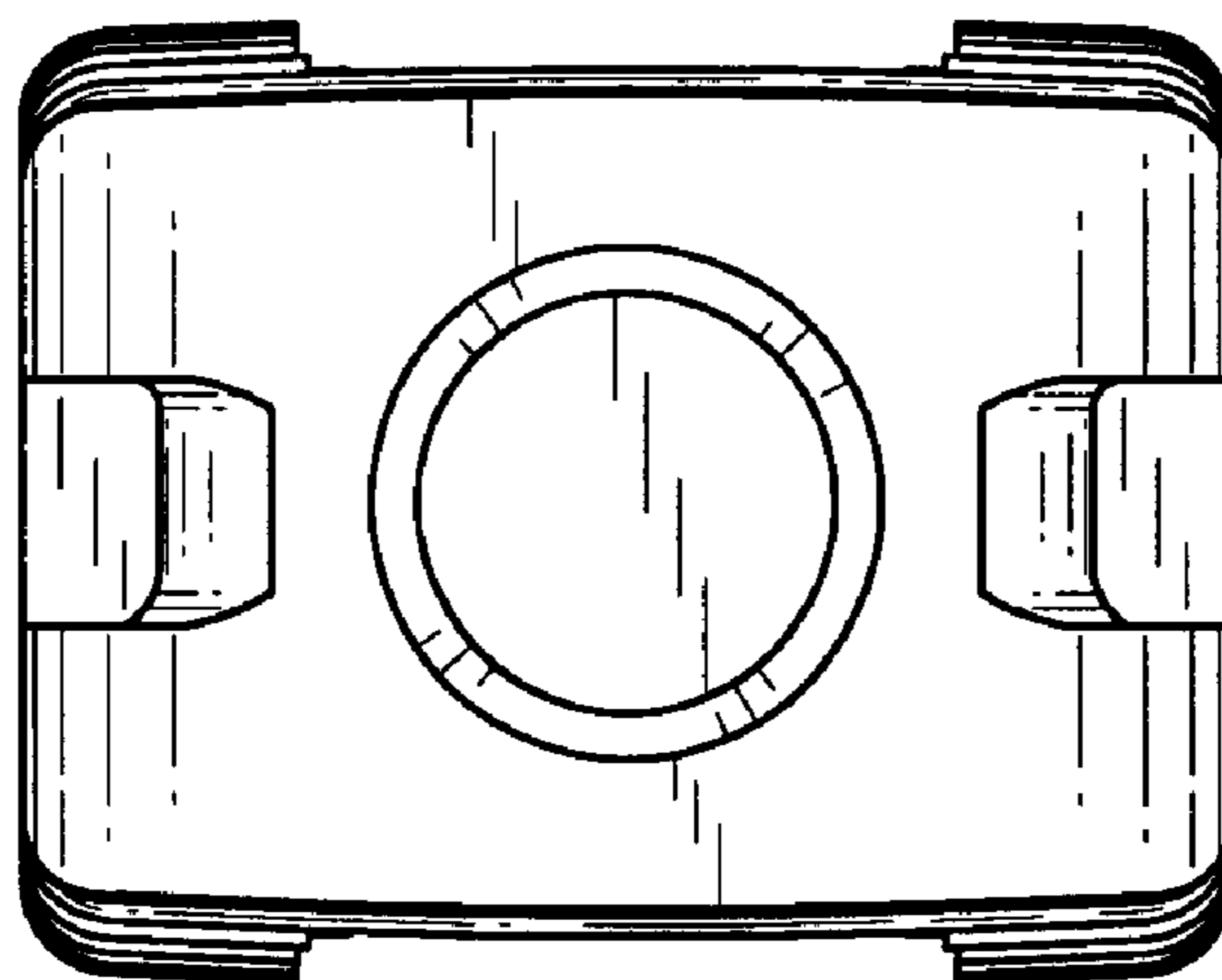


FIG. 3

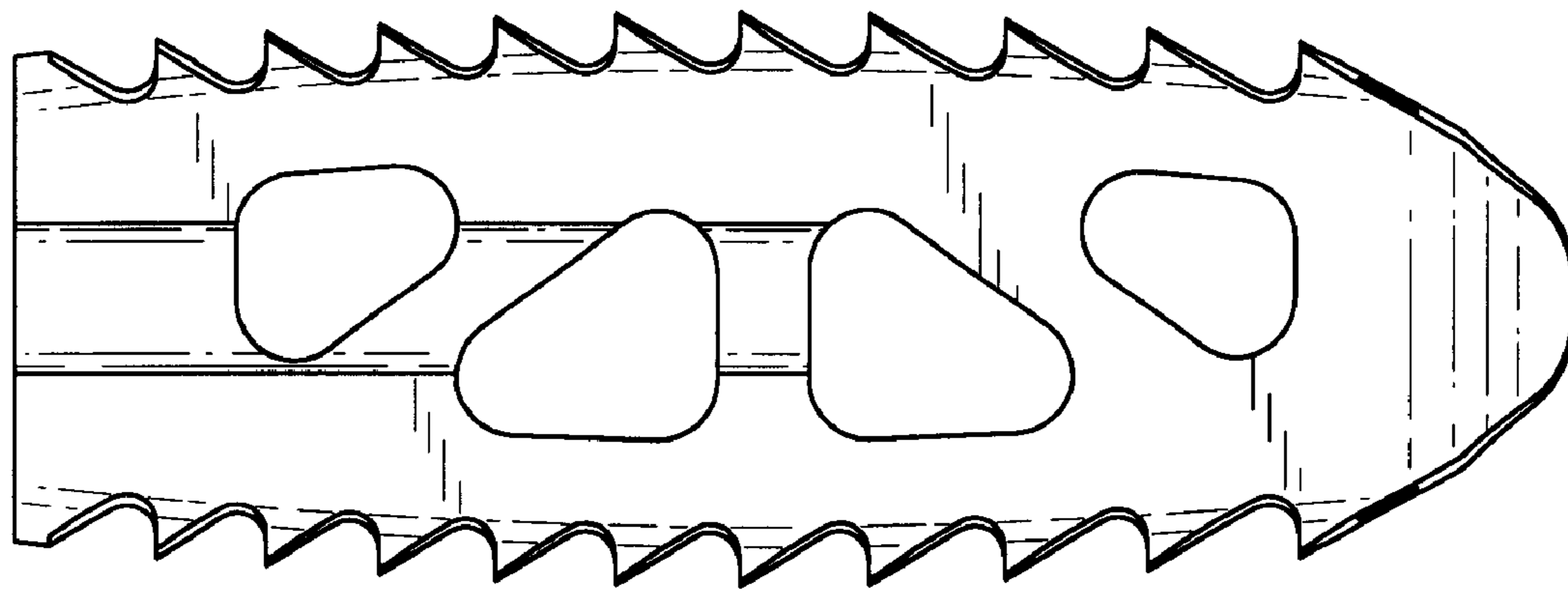


FIG. 4

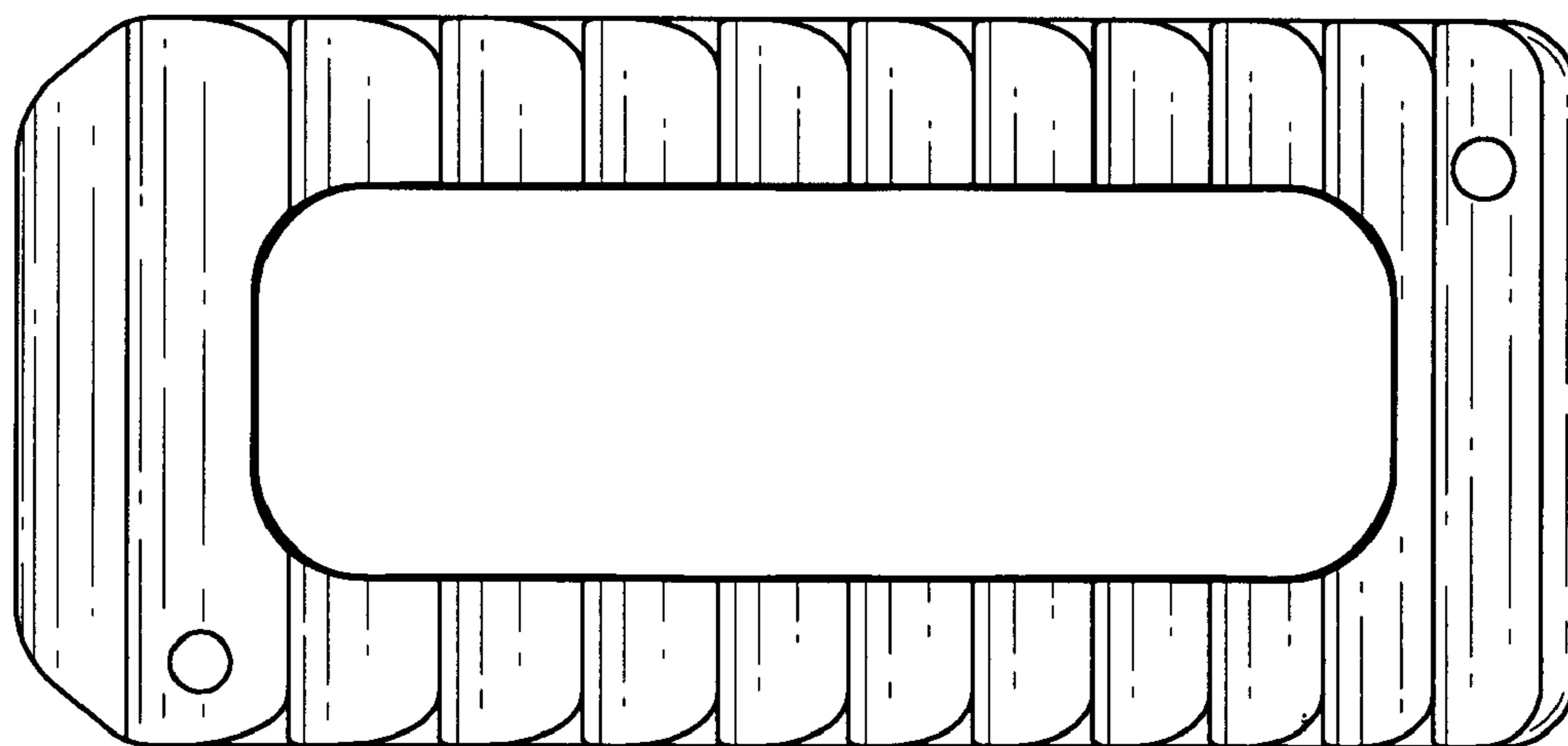


FIG. 5

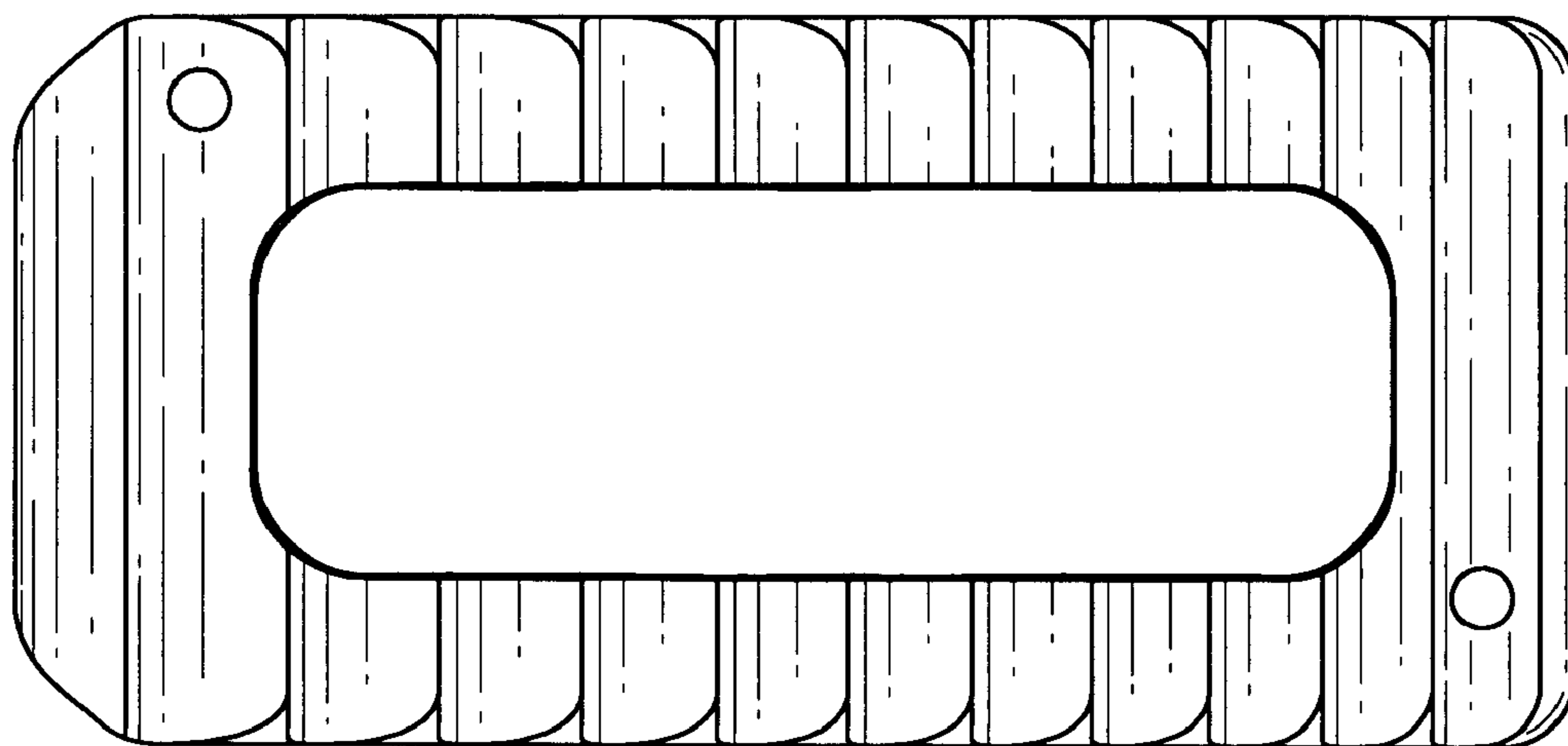


FIG. 6