

US00D524438S

(12) **United States Design Patent**
Hidalgo et al.

(10) **Patent No.:** **US D524,438 S**
(45) **Date of Patent:** **** Jul. 4, 2006**

(54) **PORTION OF A CEILING FAN HOUSING**

(75) Inventors: **Rolando Hidalgo**, Orange, CA (US);
Mark Gajewski, Avila Beach, CA (US)

(73) Assignee: **Minka Lighting, Inc.**, Corona, CA (US)

(**) Term: **14 Years**

(21) Appl. No.: **29/234,511**

(22) Filed: **Jul. 19, 2005**

(51) **LOC (8) Cl.** **23-04**

(52) **U.S. Cl.** **D23/411**

(58) **Field of Classification Search** D23/377,
D23/379, 385, 411, 413; 392/364; 416/5
See application file for complete search history.

(56) **References Cited**

U.S. PATENT DOCUMENTS

314,775	A	3/1885	Bailey
455,660	A	7/1891	Copper
532,789	A	1/1895	Ketcher
597,588	A	1/1898	Wood
697,588	A	4/1902	Wood
741,107	A	10/1903	Bumes
776,026	A	11/1904	Jacobson
816,759	A	4/1906	Stowe
1,056,668	A	3/1913	Happich, Jr.
1,094,540	A	4/1914	Dilg
1,115,479	A	11/1914	Ayres et al.

(Continued)

FOREIGN PATENT DOCUMENTS

FR	600.812	2/1926
FR	985.034	7/1951
JP	57-110798	7/1982

OTHER PUBLICATIONS

Preview page in Residential Lighting magazine, p. 102, Jun. 2002.

Minka Lighting, Inc.; MinkaAire Two Thousand Two; Apr. 22, 2002; pp. 22, 23; Minka Lighting, Inc.; U.S.A.

Jandus/Adams-Bagnall Ceiling Fans; Ball Motor; Gyro circa 1906; David Friedlund; www.fancollectors.org/Jandus/gyro.jpg.

Jandus/Adams-Bagnall Ceiling Fans; National Screw & Tack Company; Gryo circa 1927; A.S.M.; www.fancollectors.org/Jandus/nsgyro.jpg.

Matthews Fan Company Internet Catalog, Model Duplo-Dinamico; printed from www.fanworksoutlet.com on May 16, 2005.

AireTek Internet Catalog; Mars; Model #ATFN36330CH-N; printed from www.fanworksoutlet.com on May 16, 2005.

AireTek Internet Catalog; Neptune; Model #ATFN42440CH-N; printed from www.fanworksoutlet.com on May 16, 2005.

Fanimation Internet Catalog; Old Havana; Model #FNFPH81RS; printed from www.fanworksoutlet.com on May 16, 2005.

Primary Examiner—Lisa Lichtenstein

(74) *Attorney, Agent, or Firm*—Baker & McKenzie LLP

(57) **CLAIM**

The ornamental design for a portion of a ceiling fan housing, as shown and described.

DESCRIPTION

FIG. 1 is a perspective view from below of a portion of a ceiling fan housing in accordance with our design;

FIG. 2 is a top plan view of the portion of a ceiling fan housing in accordance with our design;

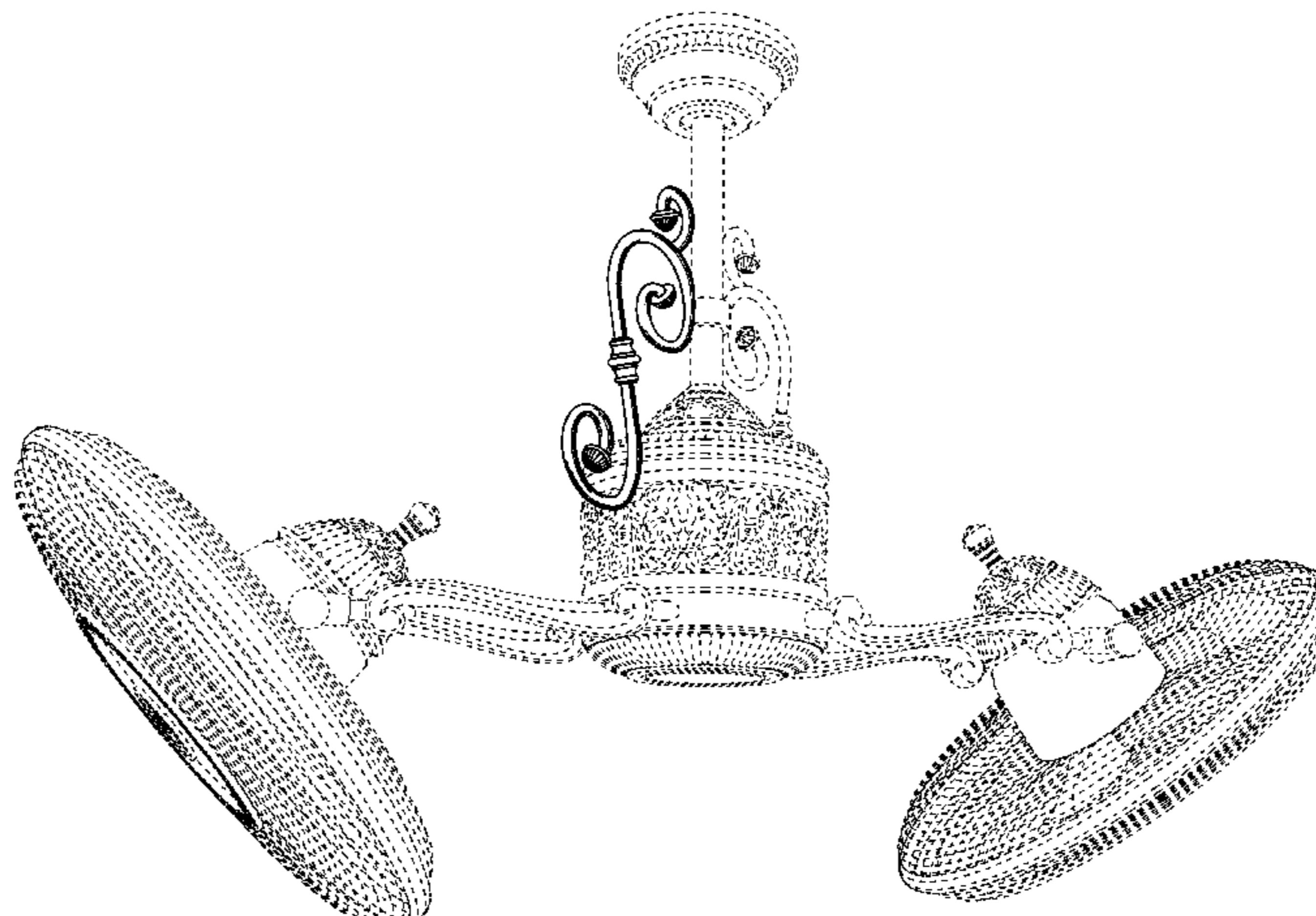
FIG. 3 is a bottom plan view of the portion of a ceiling fan housing in accordance with our design;

FIG. 4 is a side elevation view of the portion of a ceiling fan housing in accordance with our design, the opposite side being a mirror image of that shown; and,

FIG. 5 is a front perspective view of the portion of a ceiling fan housing in accordance with our design.

The broken lines showing environmental structure are for illustrative purposes and form no part of the claimed invention.

1 Claim, 5 Drawing Sheets



US D524,438 S

Page 2

U.S. PATENT DOCUMENTS					
1,150,313	A	8/1915 Stauffer et al.	D408,905	S	4/1999 Hadjikyriacou
1,224,218	A	5/1917 Scheibe	5,951,253	A	9/1999 Gajewski
1,226,076	A	5/1917 Jennings	6,022,118	A	2/2000 Wu
1,227,291	A	5/1917 Miller	6,022,189	A	2/2000 Yu
1,267,752	A	5/1918 Finch	D426,630	S	6/2000 Gajewski
1,270,832	A	7/1918 Jennings	D426,879	S	6/2000 Gajewski
1,295,618	A	2/1919 Shaw	6,074,182	A	6/2000 Matson
1,332,875	A	3/1920 Ainsworth	D434,490	S	* 11/2000 Tsuji et al. D23/411
1,334,781	A	3/1920 Morse	6,146,191	A	11/2000 Kerr, Jr. et al.
1,485,241	A	2/1924 Aronoff	6,158,964	A	12/2000 Gajewski
1,517,623	A	12/1924 Francois	6,171,060	B1	1/2001 Gajewski
1,826,458	A	10/1931 Cooper	6,250,885	B1	6/2001 Gajewski
1,903,615	A	4/1933 Towt	D446,851	S	* 8/2001 Lee D23/411
2,119,398	A	5/1938 Morse	D451,593	S	* 12/2001 Lee D23/411
2,237,039	A	4/1941 Newnham	D451,996	S	12/2001 Liu
3,033,049	A	5/1962 Morrow	6,354,801	B1	3/2002 Gajewski
4,391,570	A	7/1983 Stutzman	6,357,714	B1	3/2002 Johnson
4,471,250	A	9/1984 Snider	D456,073	S	4/2002 Frampton
4,560,321	A	12/1985 Kawai	6,364,617	B1	4/2002 Riske et al.
4,621,992	A	11/1986 Angott	6,364,638	B1	4/2002 Liu
4,640,668	A	2/1987 Yang	6,517,316	B1	2/2003 Gajewski
4,687,977	A	8/1987 Brahmavar et al.	D478,404	S	* 8/2003 Wardlaw D1/106
4,720,241	A	1/1988 Markwardt	D478,975	S	* 8/2003 Gajewski D23/377
4,878,806	A	11/1989 Markwardt	D484,233	S	* 12/2003 Bucher et al. D23/377
D313,467	S	1/1991 Frampton	D485,608	S	* 1/2004 Chen D23/377
5,411,372	A	5/1995 Clark	D489,443	S	5/2004 Gajewski
5,443,625	A	8/1995 Schaffhausen	D489,809	S	5/2004 Gajewski
D378,404	S	* 3/1997 Jaspers-Fayer D23/377	D490,146	S	5/2004 Gajewski
5,668,920	A	9/1997 Pelonis	6,832,902	B1	12/2004 Gajewski et al.
D400,241	S	* 10/1998 Jaspers-Fayer et al. D23/377			

* cited by examiner

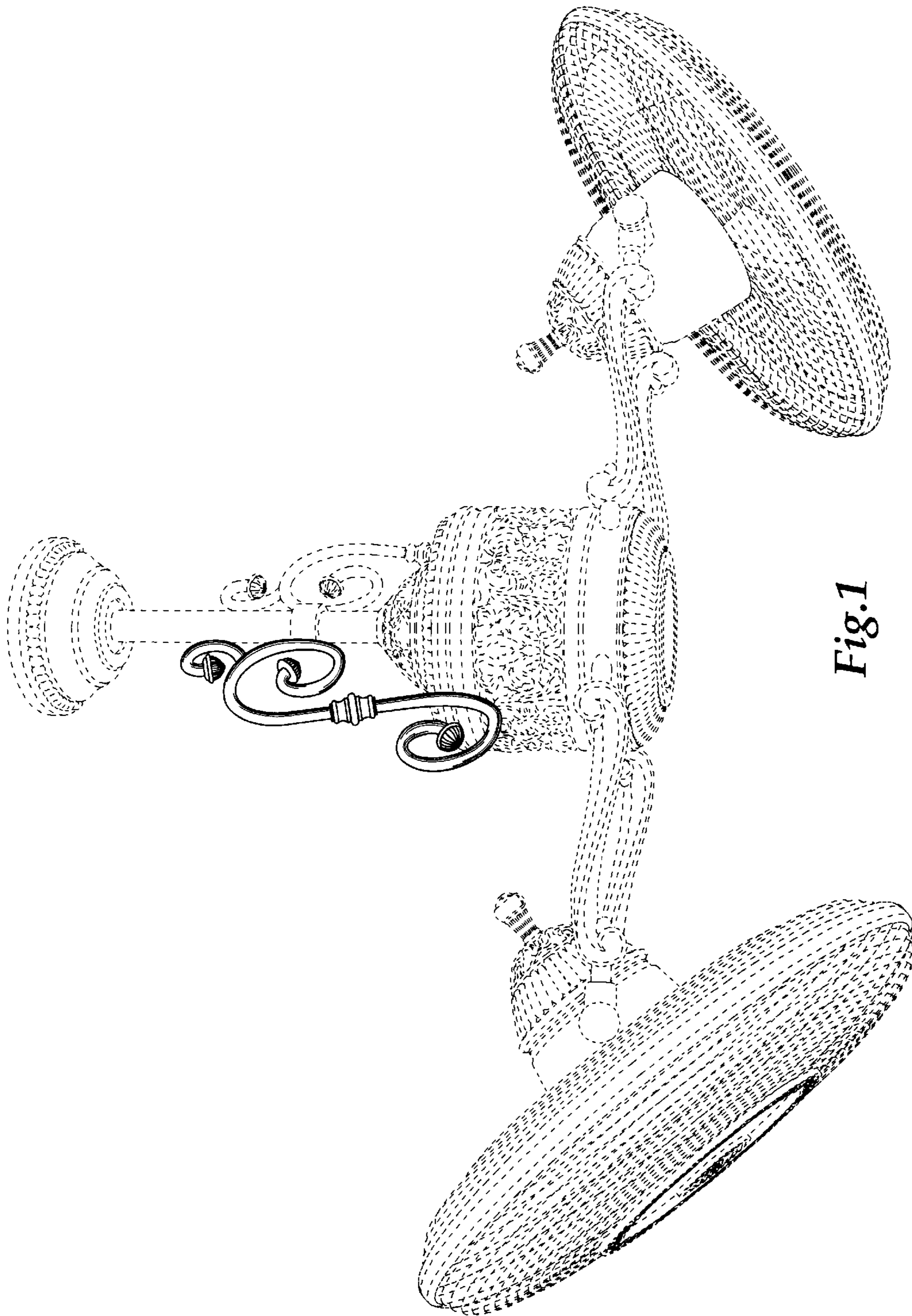


Fig. 1

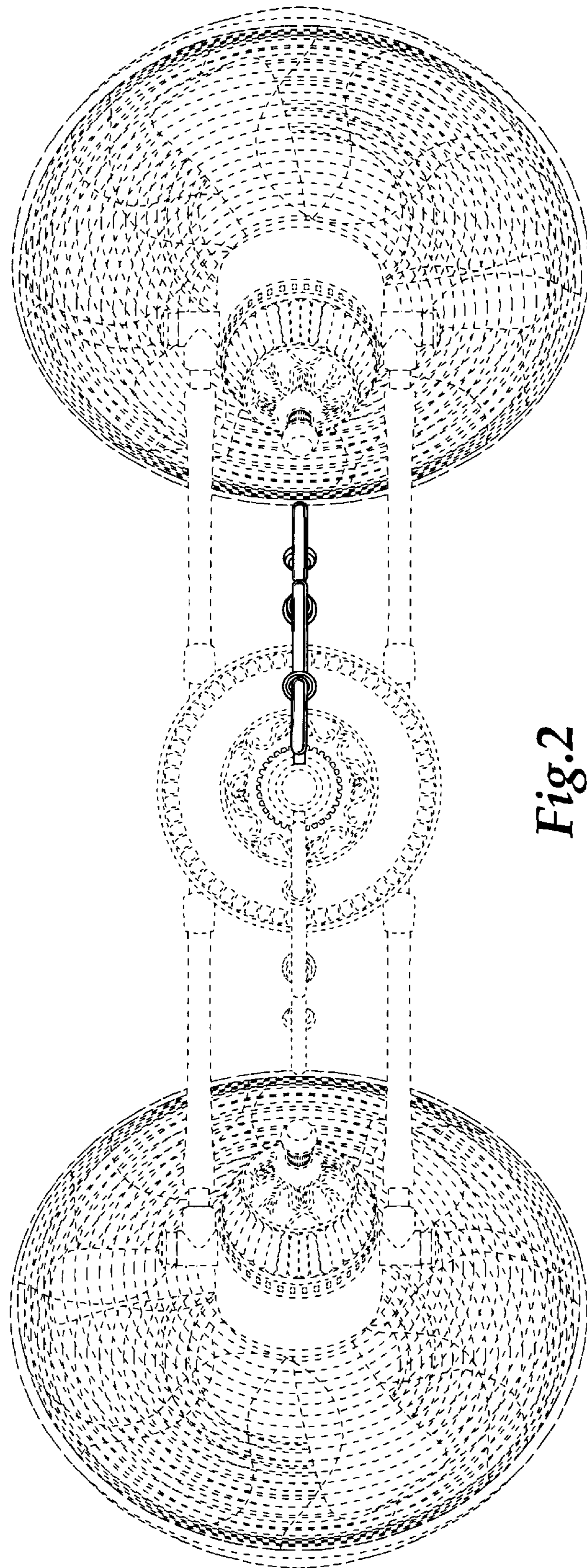


Fig. 2

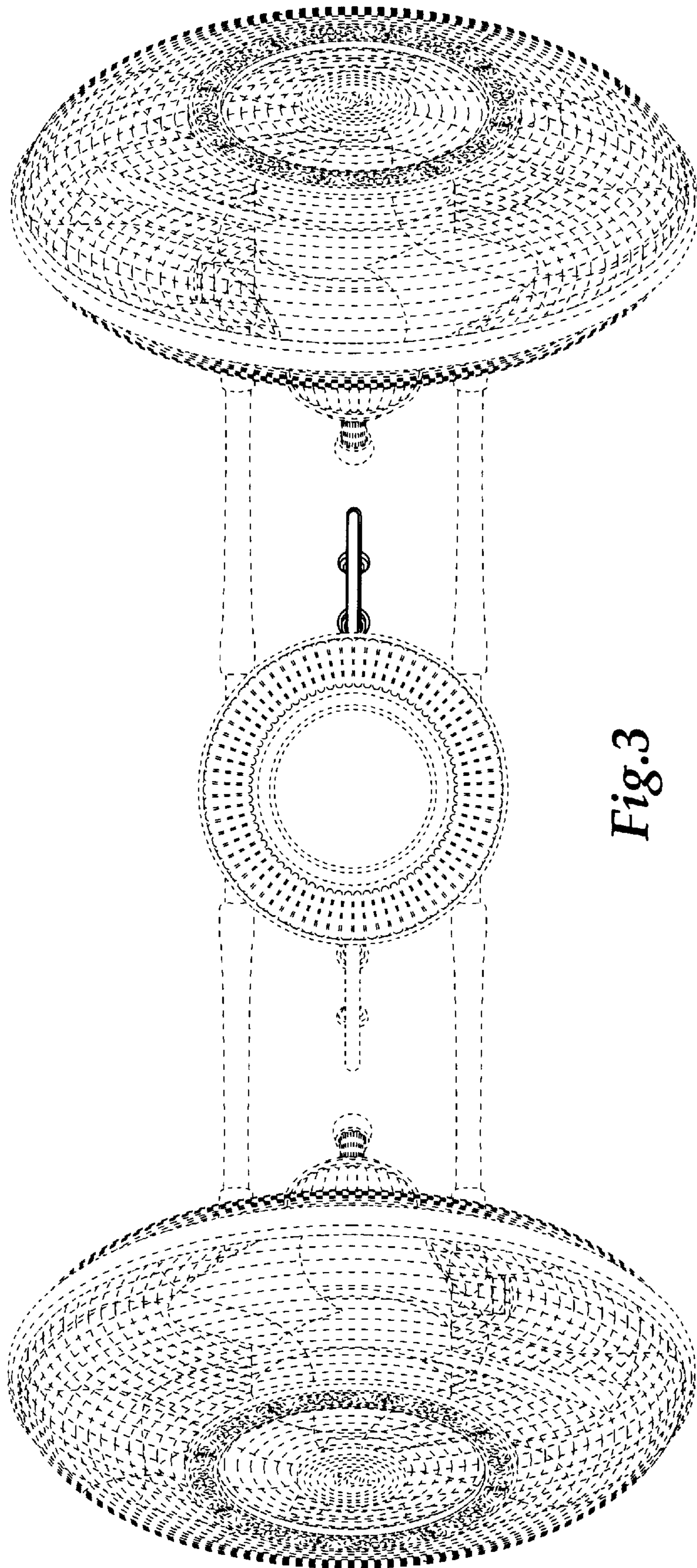


Fig.3

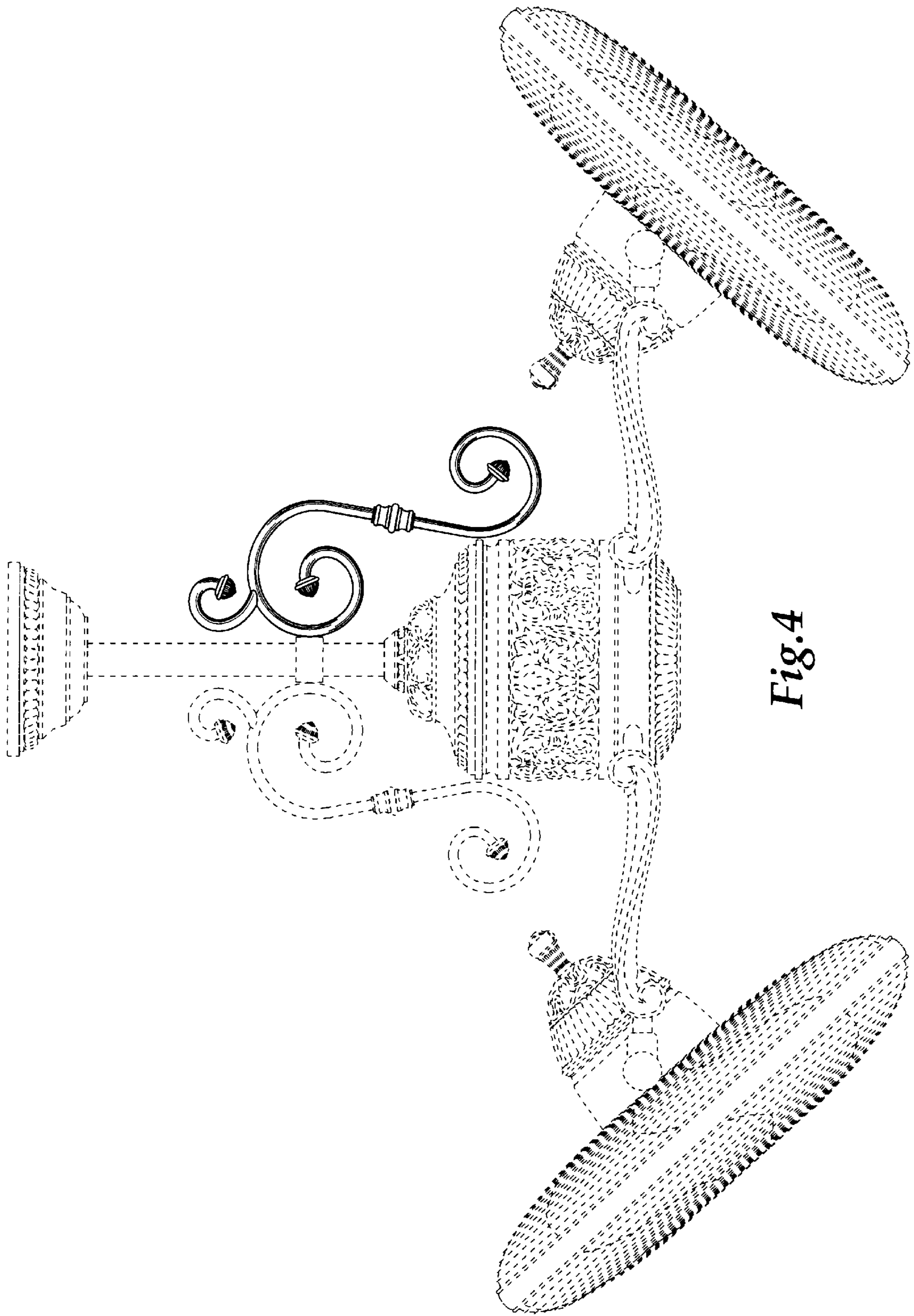


Fig. 4

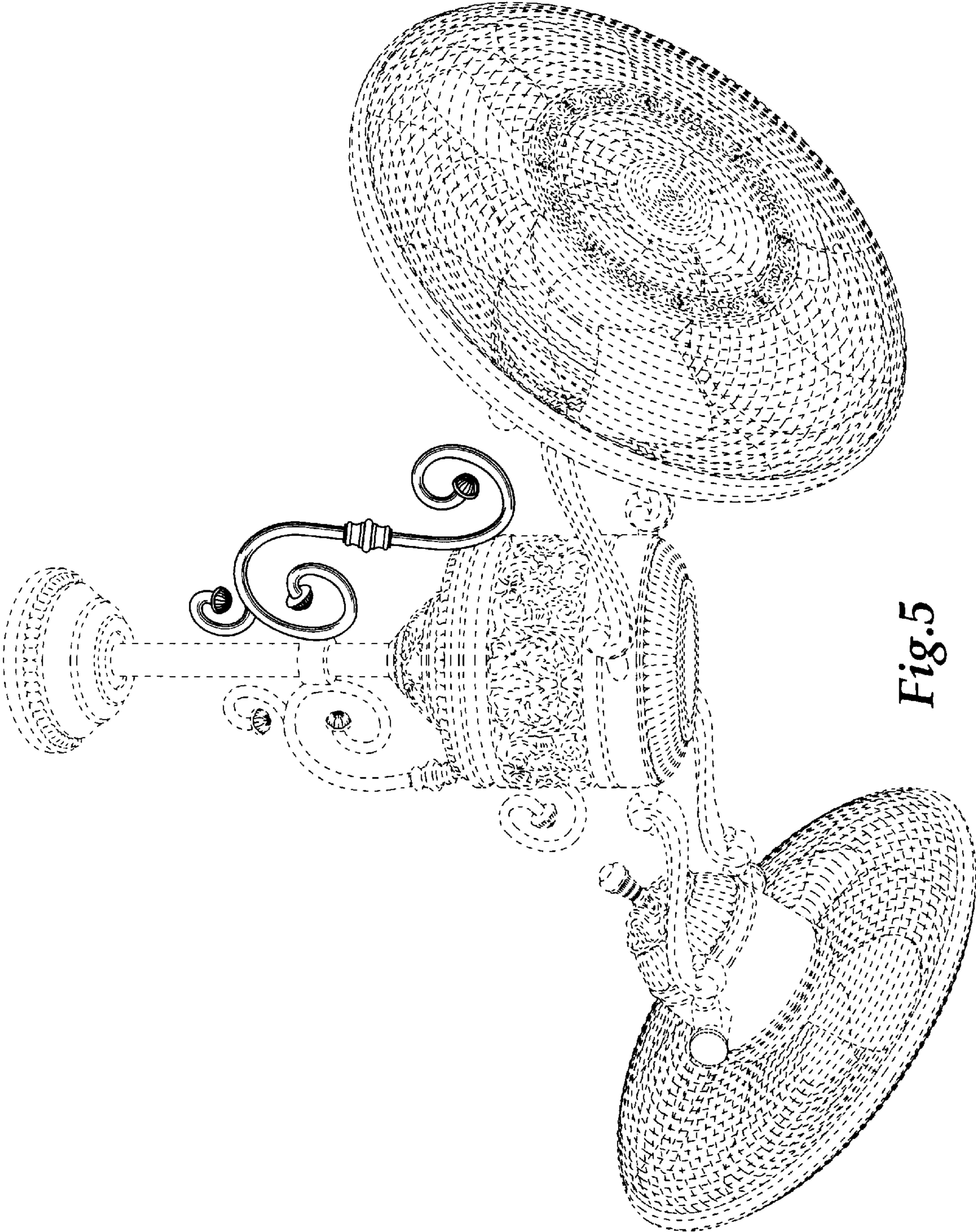


Fig. 5