



US00D524437S

(12) **United States Design Patent**
Holmes

(10) **Patent No.:** **US D524,437 S**

(45) **Date of Patent:** **** Jul. 4, 2006**

(54) **CEILING FAN MOTOR HOUSING**

D483,848 S * 12/2003 Tai D23/377
D484,588 S * 12/2003 Tai D23/377

(75) Inventor: **Christine M. Holmes**, Cordova, TN
(US)

OTHER PUBLICATIONS

Hunter Fan Company Website Catalogue (2 pages).

(73) Assignee: **Hunter Fan Company**, Memphis, TN
(US)

* cited by examiner

(**) Term: **14 Years**

Primary Examiner—Lisa Lichtenstein

(74) *Attorney, Agent, or Firm*—Baker Donelson

(21) Appl. No.: **29/232,056**

(57) **CLAIM**

(22) Filed: **Jun. 14, 2005**

The ornamental design for a ceiling fan motor housing, as shown and described.

(51) **LOC (8) Cl.** **23-04**

(52) **U.S. Cl.** **D23/411**

(58) **Field of Classification Search** D23/411,
D23/413, 377, 379, 385; 416/5

See application file for complete search history.

DESCRIPTION

FIG. 1 is a perspective view of the ceiling fan motor housing showing my new design.

FIG. 2 is a front view thereof, the rear view, right side view and left side view being the same thereof.

FIG. 3 is a top view thereof; and,

FIG. 4 is bottom view thereof.

(56) **References Cited**

U.S. PATENT DOCUMENTS

D434,133 S * 11/2000 Johnson D23/411

1 Claim, 2 Drawing Sheets

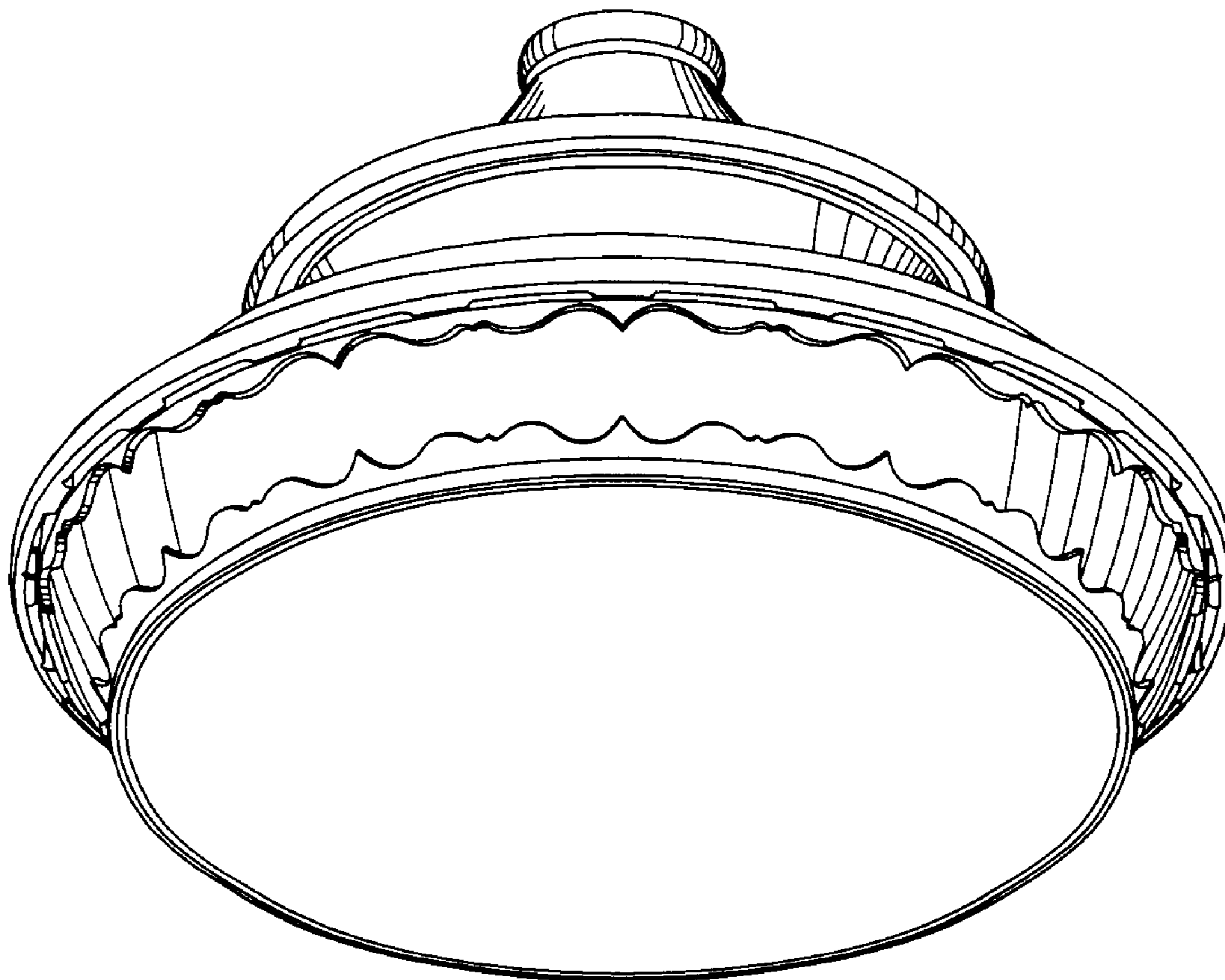


Fig. 1

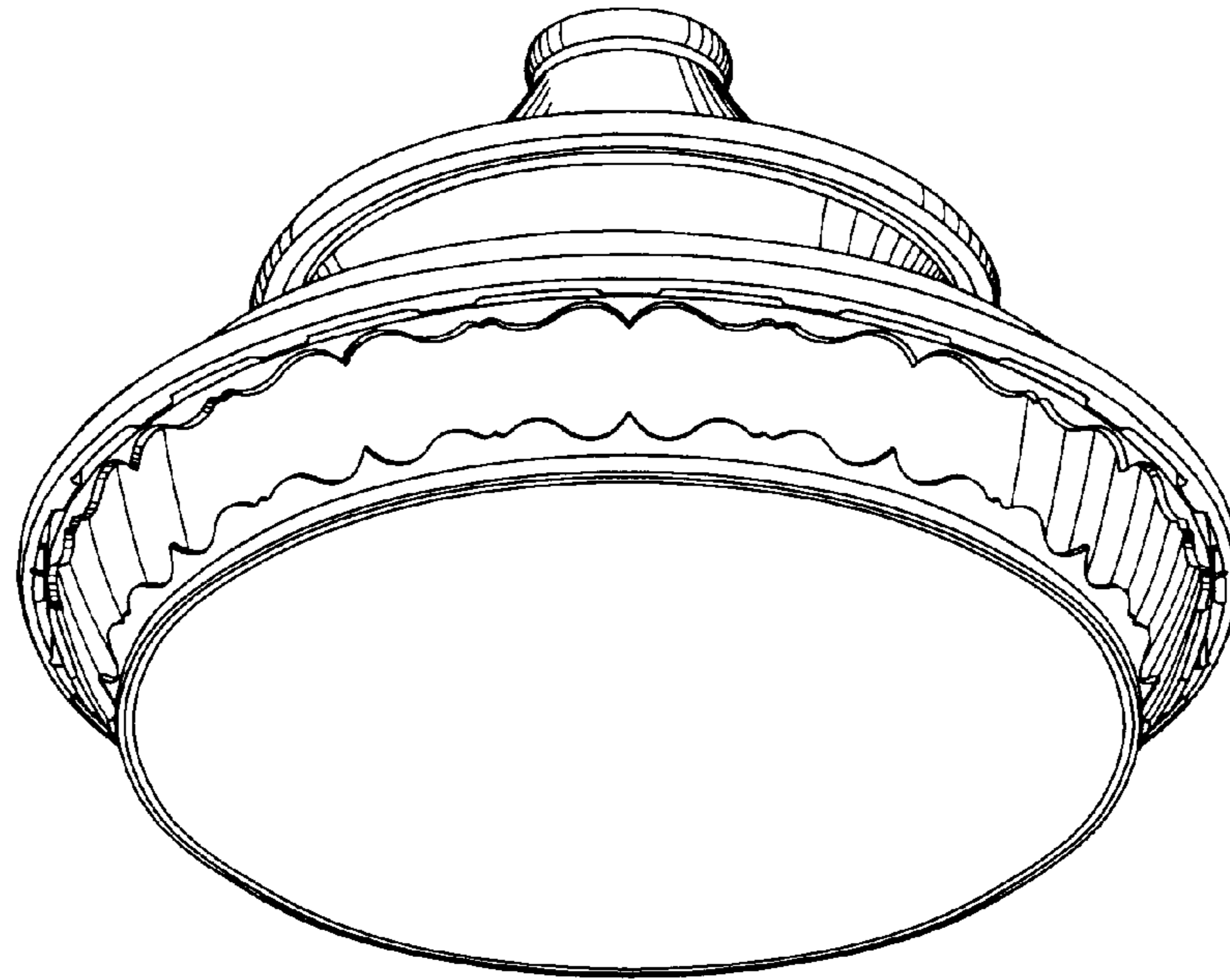


Fig. 2

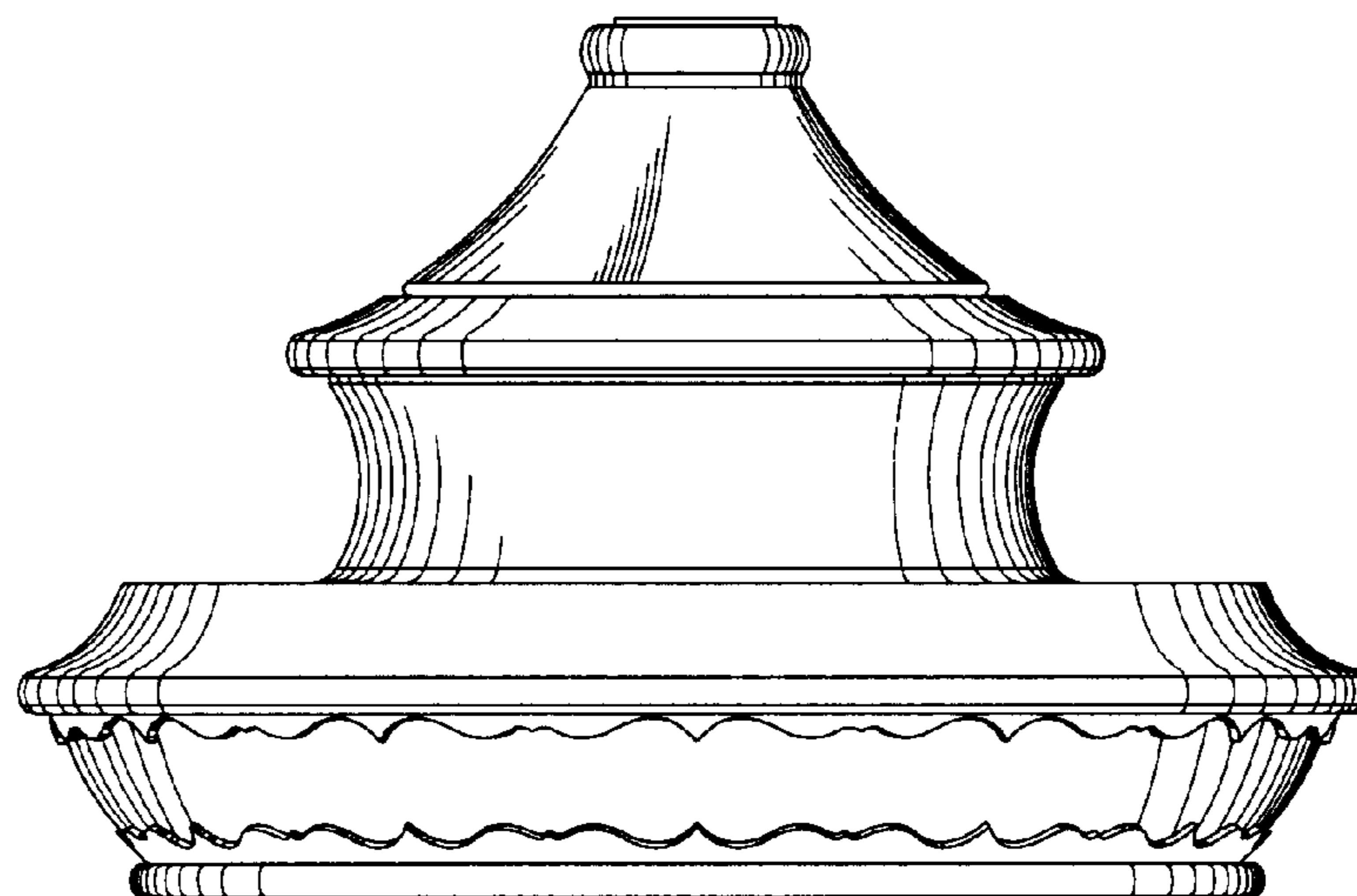


Fig. 3

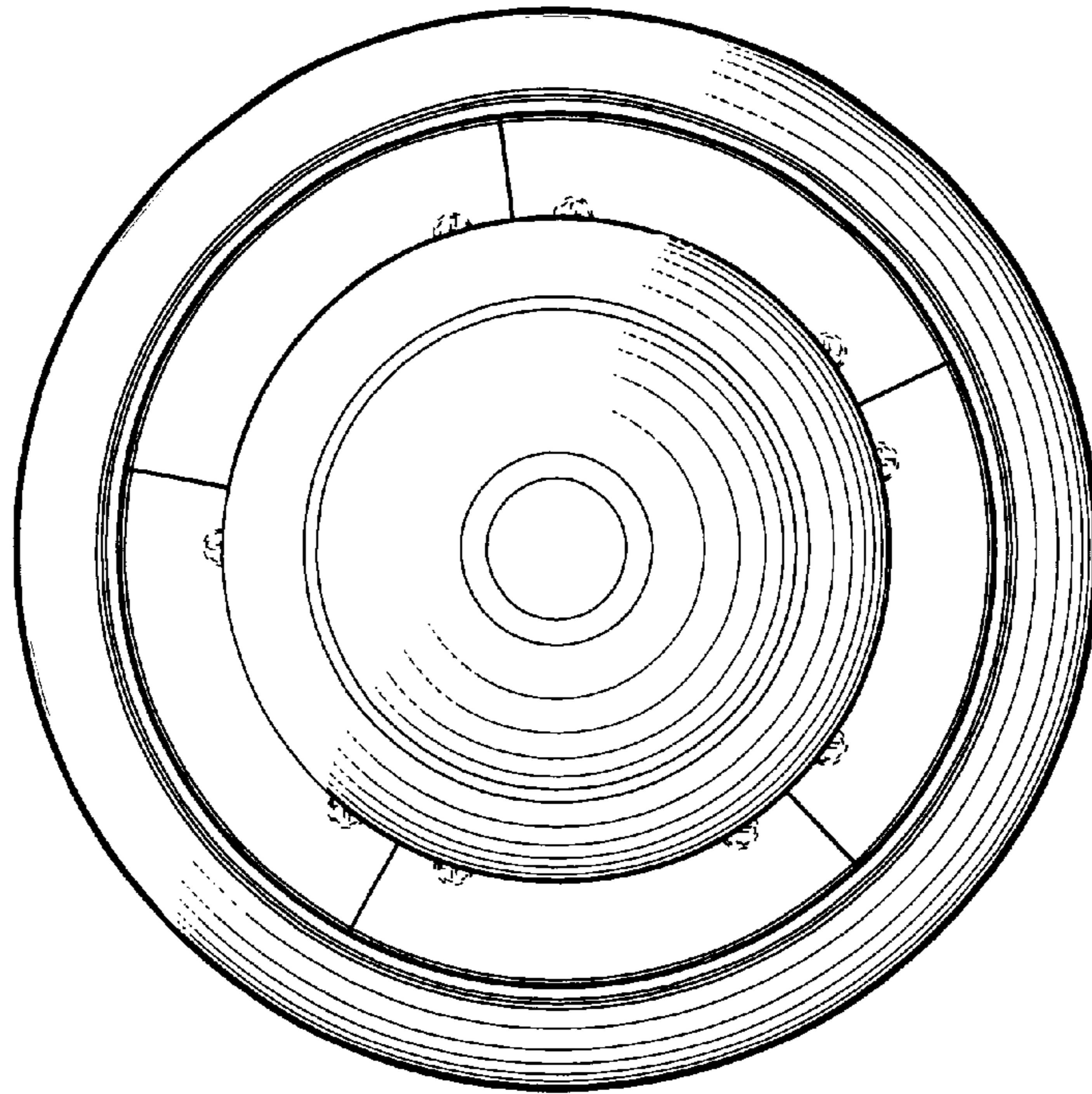


Fig. 4

