

US00D524435S

(12) **United States Design Patent**
Linn et al.

(10) **Patent No.:** **US D524,435 S**
(45) **Date of Patent:** **** Jul. 4, 2006**

(54) **AIR FLOW REDUCER DISK**

D427,303 S * 6/2000 Brown D23/390
D508,122 S * 8/2005 Murphy D23/387

(76) Inventors: **Patrick M. Linn**, 1580 Primrose La.,
Wellington, FL (US) 33414; **Dennis P.
Linn**, 901 N. Lakeside Dr., Lake Worth,
FL (US) 33460

* cited by examiner

Primary Examiner—Catherine R. Oliver
(74) *Attorney, Agent, or Firm*—C. J. Husar

(**) Term: **14 Years**

(57) **CLAIM**

The ornamental design for an air flow reducer disk, as shown
and described.

(21) Appl. No.: **29/228,488**

(22) Filed: **Apr. 25, 2005**

DESCRIPTION

(51) **LOC (8) Cl.** **23-04**

(52) **U.S. Cl.** **D23/390**

(58) **Field of Classification Search** D23/387-392,
D23/354; 454/234, 351, 353

See application file for complete search history.

This application is related to pending Utility Application
Ser. No. 09/660,569 filed on Sep. 12, 2003 by the same
co-inventors, Linn et al.

FIG. 1 is a front perspective view of an airflow reducer disk
showing my new design.

FIG. 2 is a front elevational view thereof.

FIG. 3 is a right side elevational view thereof.

FIG. 4 is rear elevational view thereof.

FIG. 5 is a left side elevational view thereof.

FIG. 6 is a top plan view thereof; and,

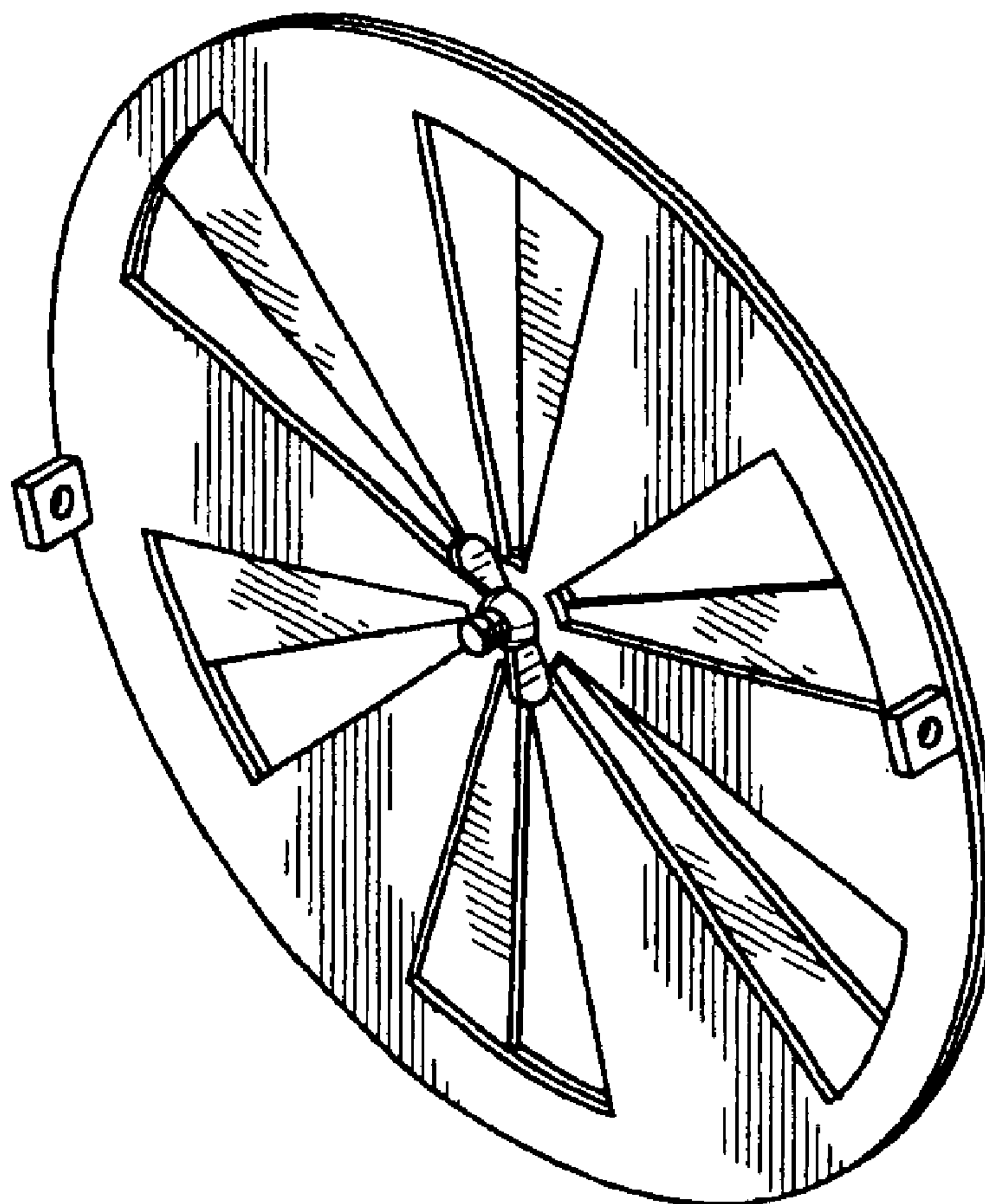
FIG. 7 is a bottom plan view thereof.

(56) **References Cited**

U.S. PATENT DOCUMENTS

1,722,590 A * 7/1929 Miller D23/387
D281,194 S * 10/1985 Artwick D23/390
D281,273 S * 11/1985 Artwick D23/390
4,779,518 A * 10/1988 Artwick et al. 454/353

1 Claim, 2 Drawing Sheets



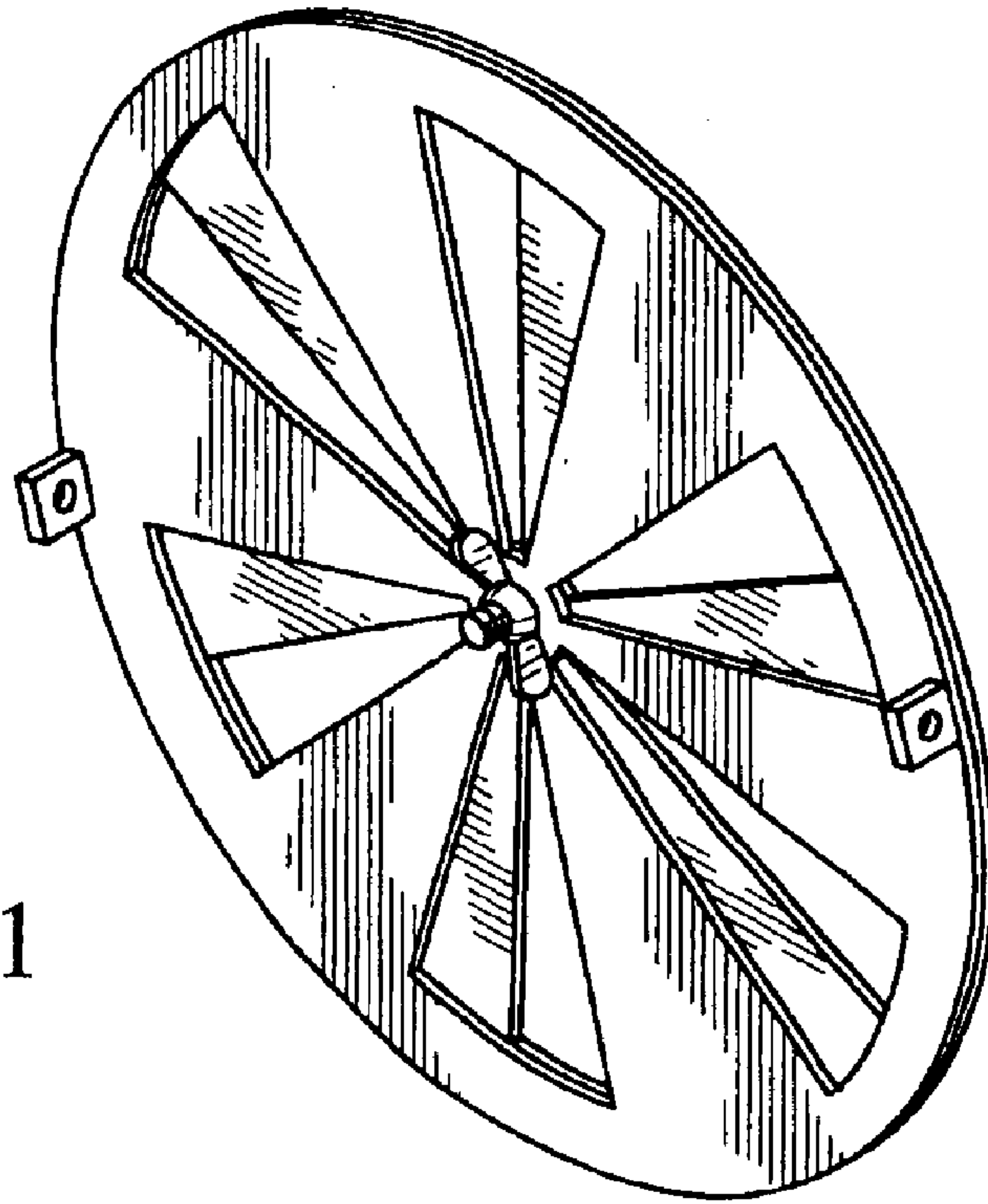


FIG. 1

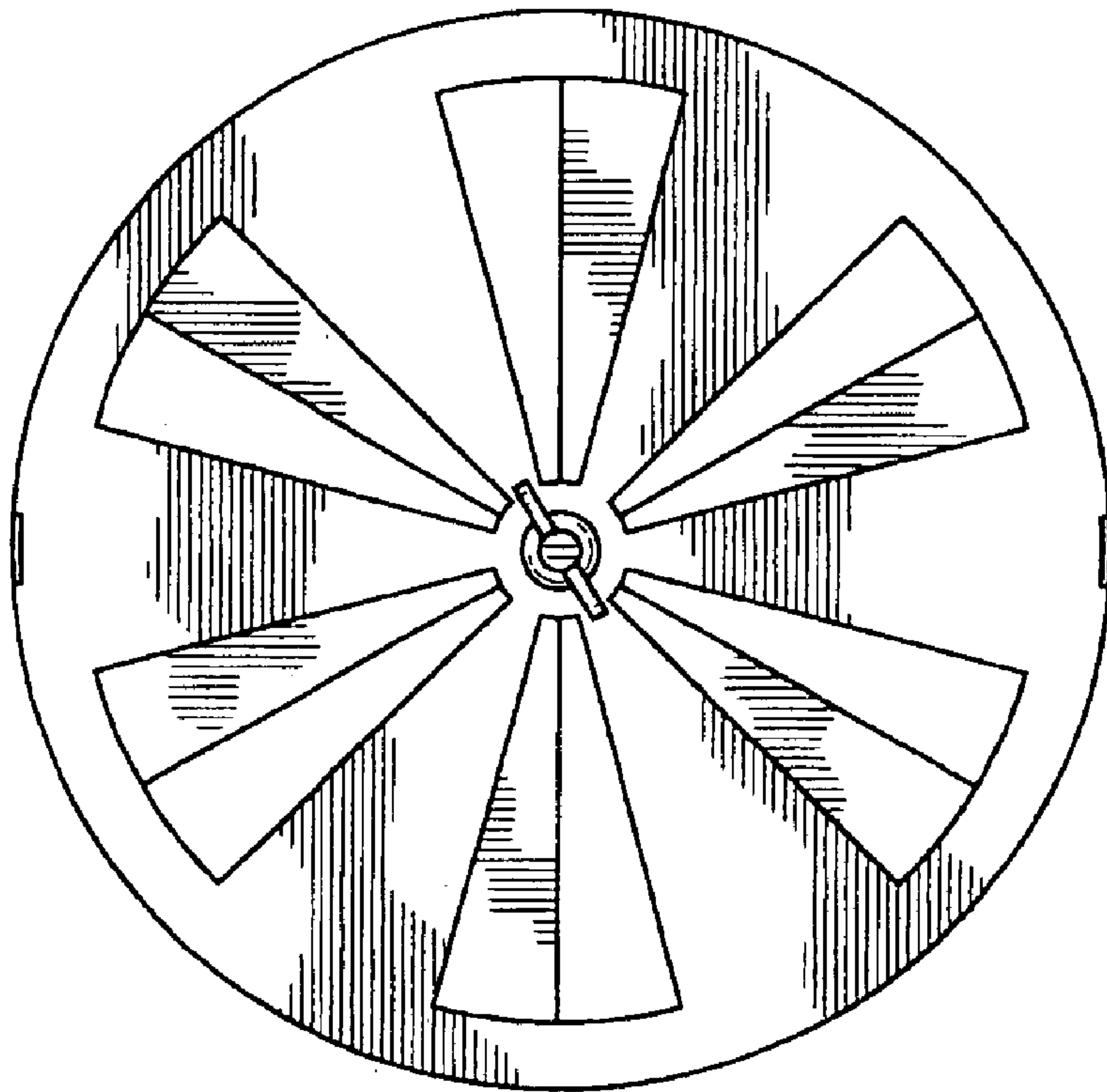


FIG. 2



FIG. 3

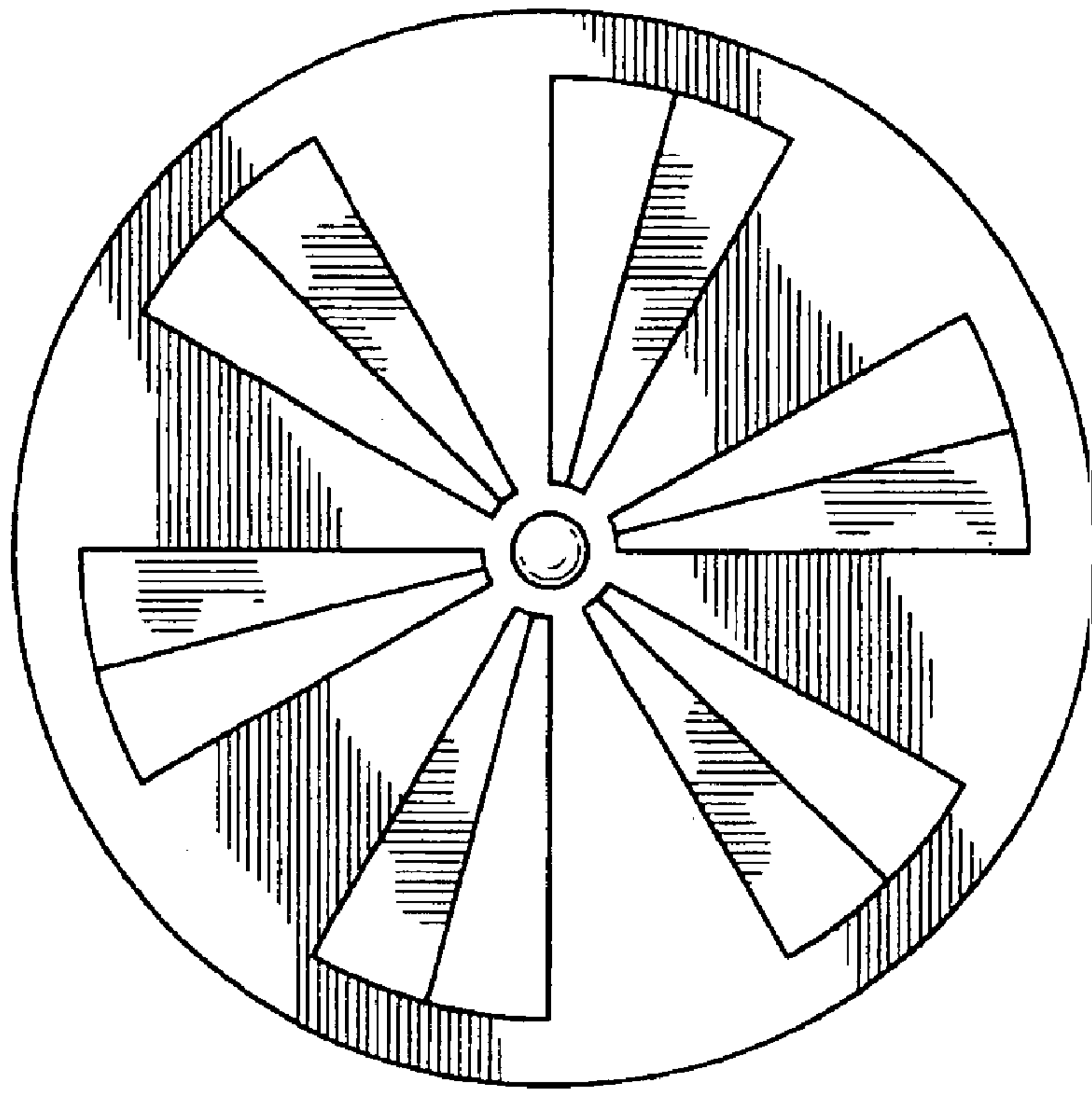


FIG. 4

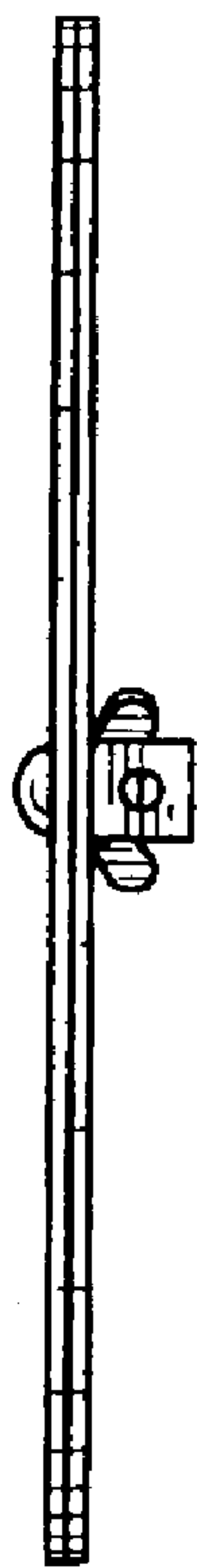


FIG. 5



FIG. 6



FIG. 7