



US00D524432S

(12) **United States Design Patent**
Oh et al.

(10) **Patent No.:** **US D524,432 S**
(45) **Date of Patent:** **** Jul. 4, 2006**

(54) **AIR CONDITIONER**
(75) Inventors: **San Hui Oh**, Seoul (KR); **Joo Hee Ryu**, Goyang-si (KR)

(73) Assignee: **Samsung Electronics Co., Ltd.** (KR)

(**) Term: **14 Years**

(21) Appl. No.: **29/237,378**

(22) Filed: **Aug. 30, 2005**

(30) **Foreign Application Priority Data**

Jun. 15, 2005 (KR) 30-2005-0019955

(51) **LOC (8) Cl.** **23-04**

(52) **U.S. Cl.** **D23/353**

(58) **Field of Classification Search** D23/351-354;
62/262, 259.1; 312/236; 454/204
See application file for complete search history.

(56) **References Cited**

U.S. PATENT DOCUMENTS

- D307,177 S * 4/1990 Yamazaki et al. D3/353
- D309,180 S * 7/1990 Moritani D23/353
- D415,830 S * 10/1999 Kawata D23/353
- D433,492 S * 11/2000 Oya et al. D23/351
- D446,576 S * 8/2001 Bushnell et al. D23/353
- D464,719 S * 10/2002 Choi D23/353
- D465,017 S * 10/2002 Choi D23/353

- D465,273 S * 11/2002 Yoo D23/353
- D465,563 S * 11/2002 Lee D23/353
- D465,564 S * 11/2002 Yamagami D23/353
- D474,533 S * 5/2003 Zhu et al. D23/353
- D495,408 S * 8/2004 Song D23/353

* cited by examiner

Primary Examiner—Brian N Vinson

(74) *Attorney, Agent, or Firm*—Irving Keschner

(57) **CLAIM**

The ornamental design for air conditioner, as shown.

DESCRIPTION

FIG. 1 is a perspective view of the ornamental design of the present invention;
 FIG. 2 is a front elevational view of the ornamental design of the present invention;
 FIG. 3 is a rear elevational view of the ornamental design of the present invention;
 FIG. 4 is a left side elevational view of the ornamental design of the present invention;
 FIG. 5 is a right side elevational view of the ornamental design of the present invention;
 FIG. 6 is a top plan view of the ornamental design of the present invention; and,
 FIG. 7 is a bottom view of the ornamental design of the present invention.

1 Claim, 4 Drawing Sheets

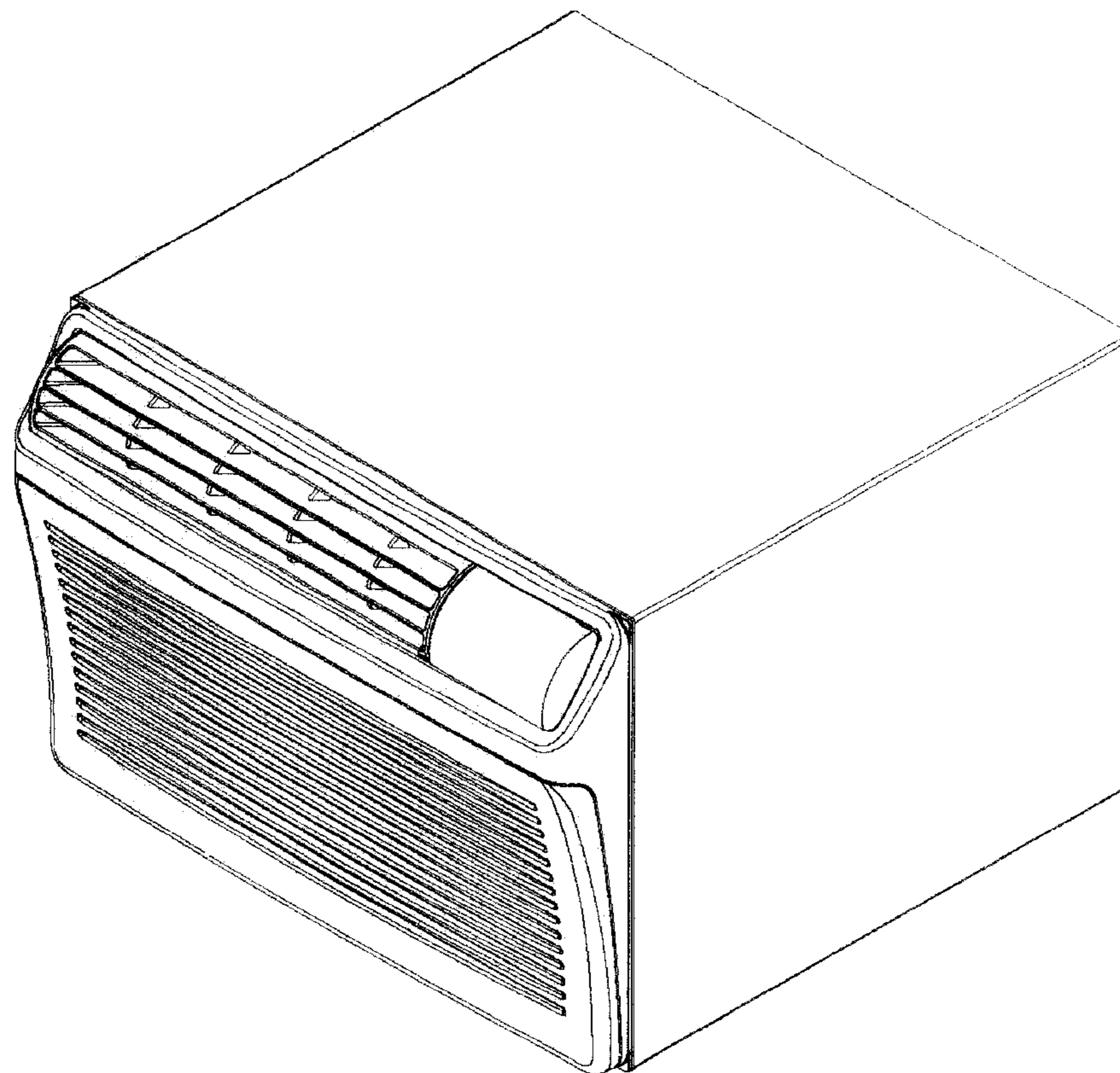


Fig. 1

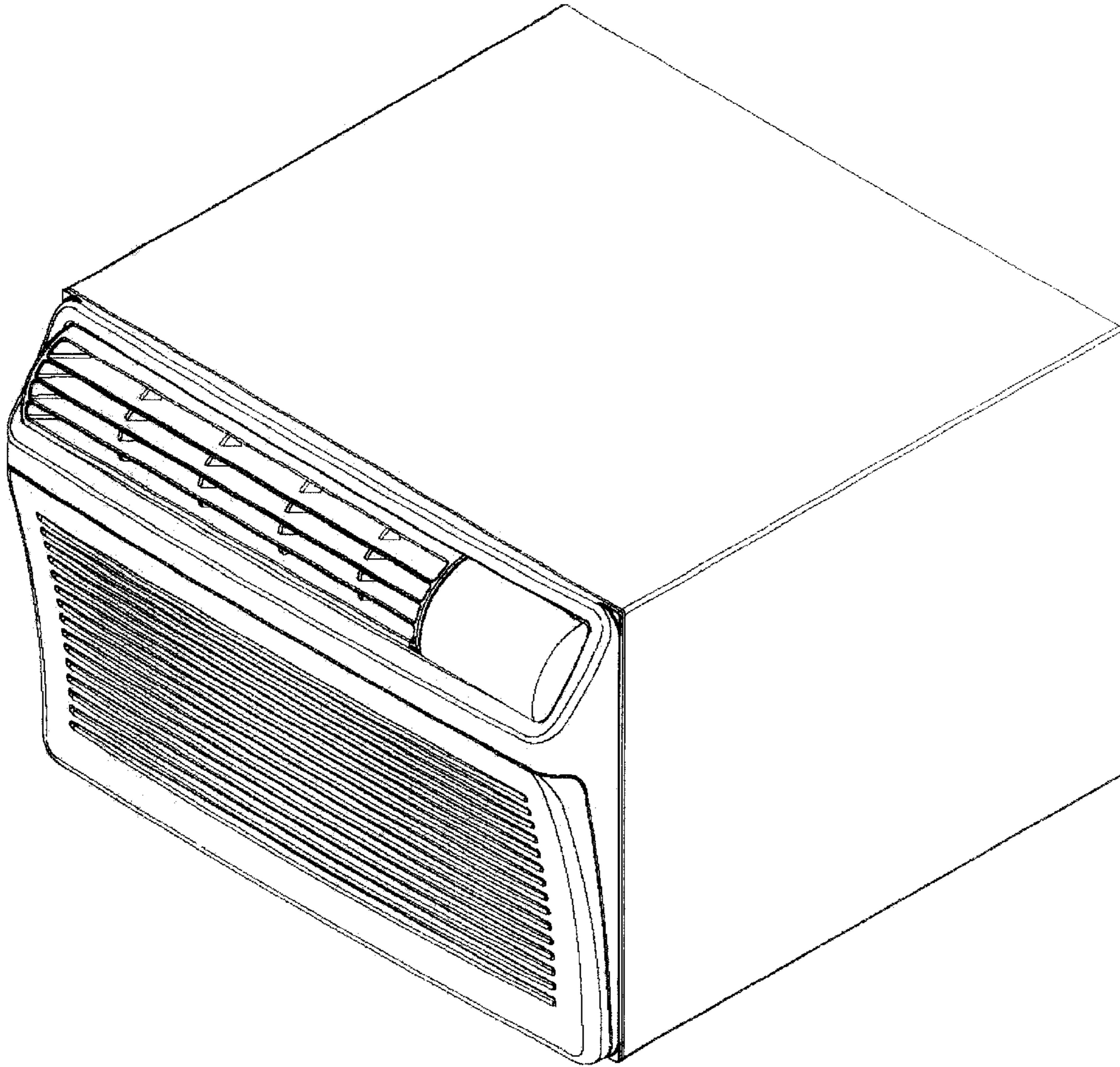


Fig. 2

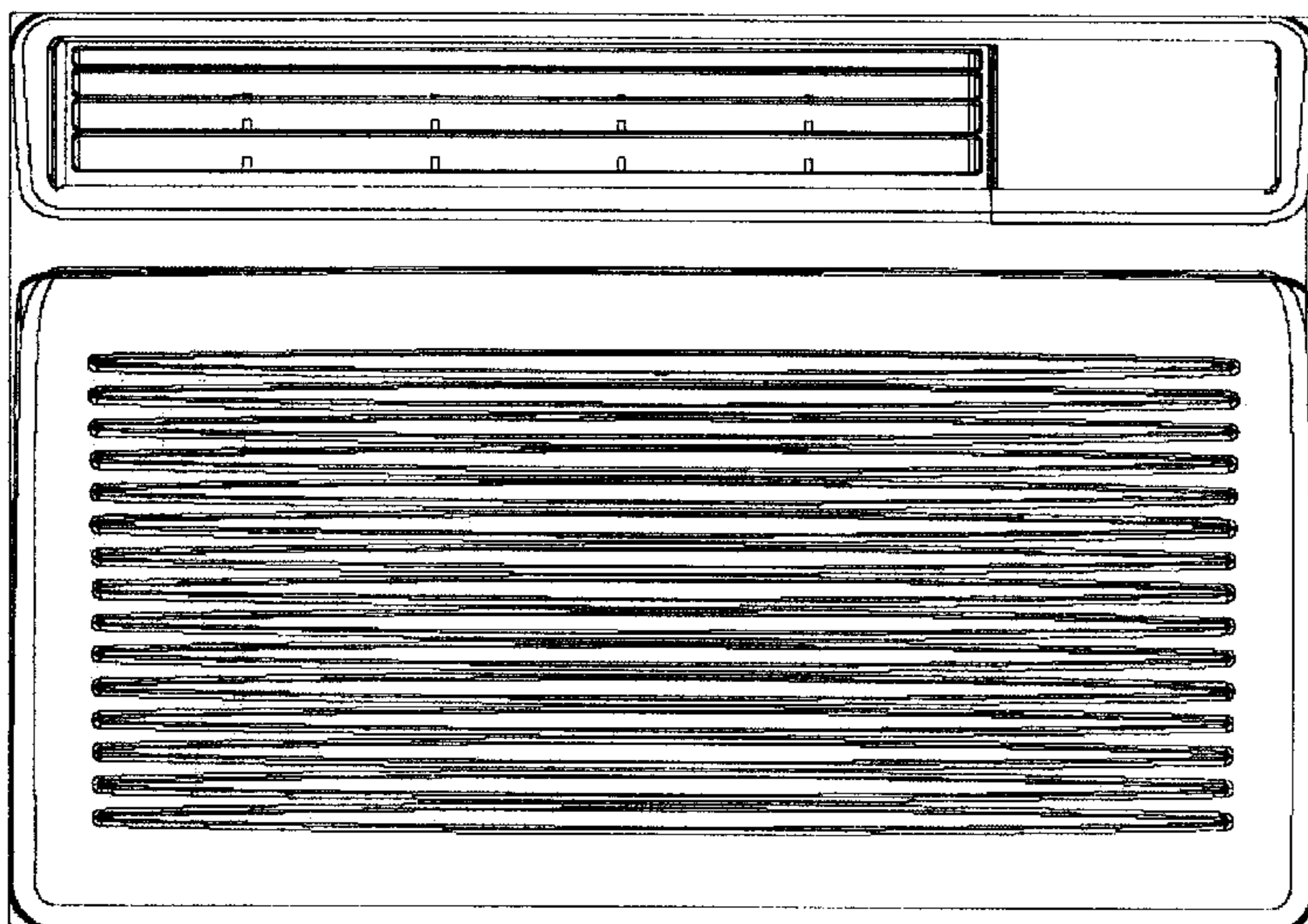


Fig. 3

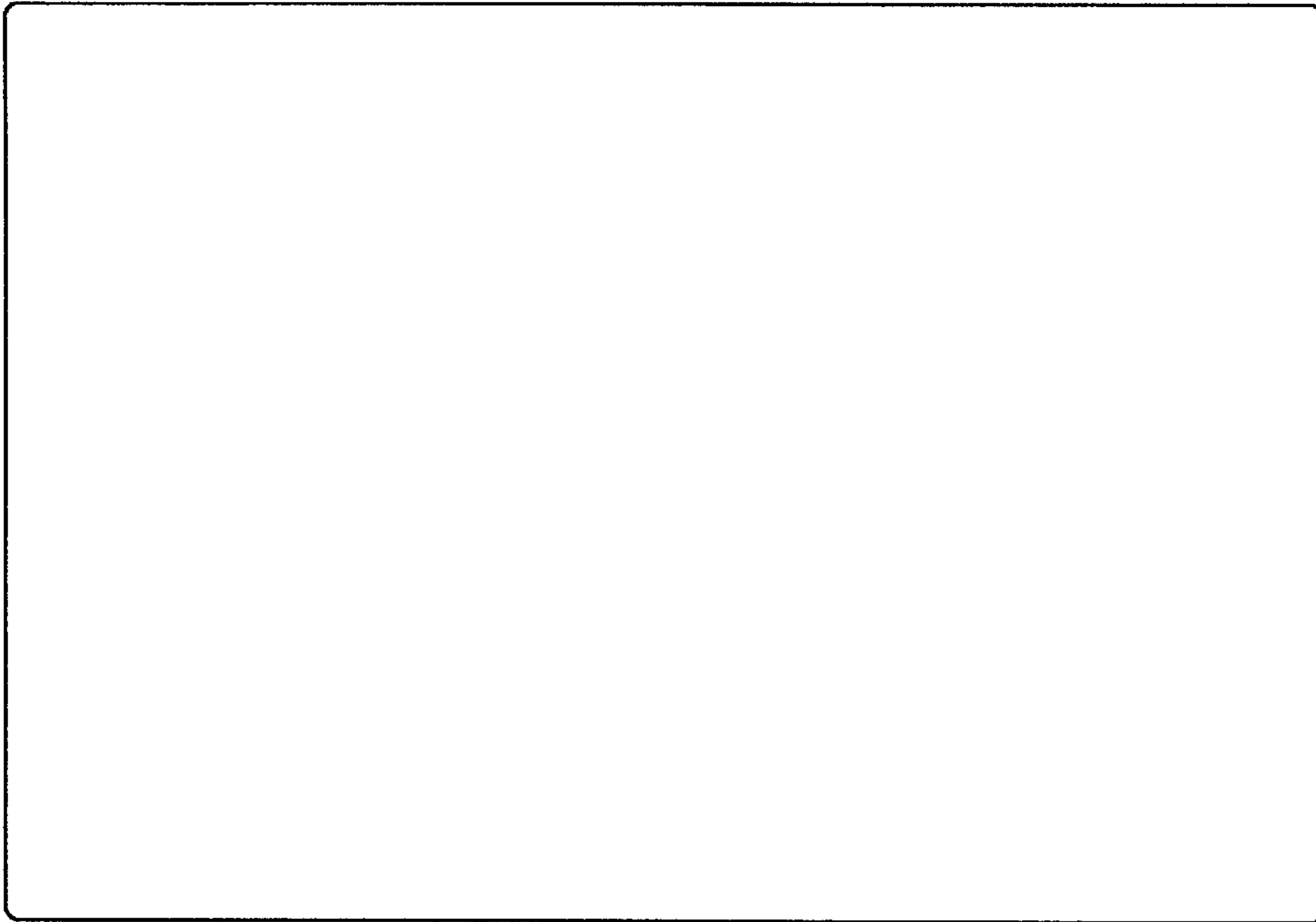


Fig. 4

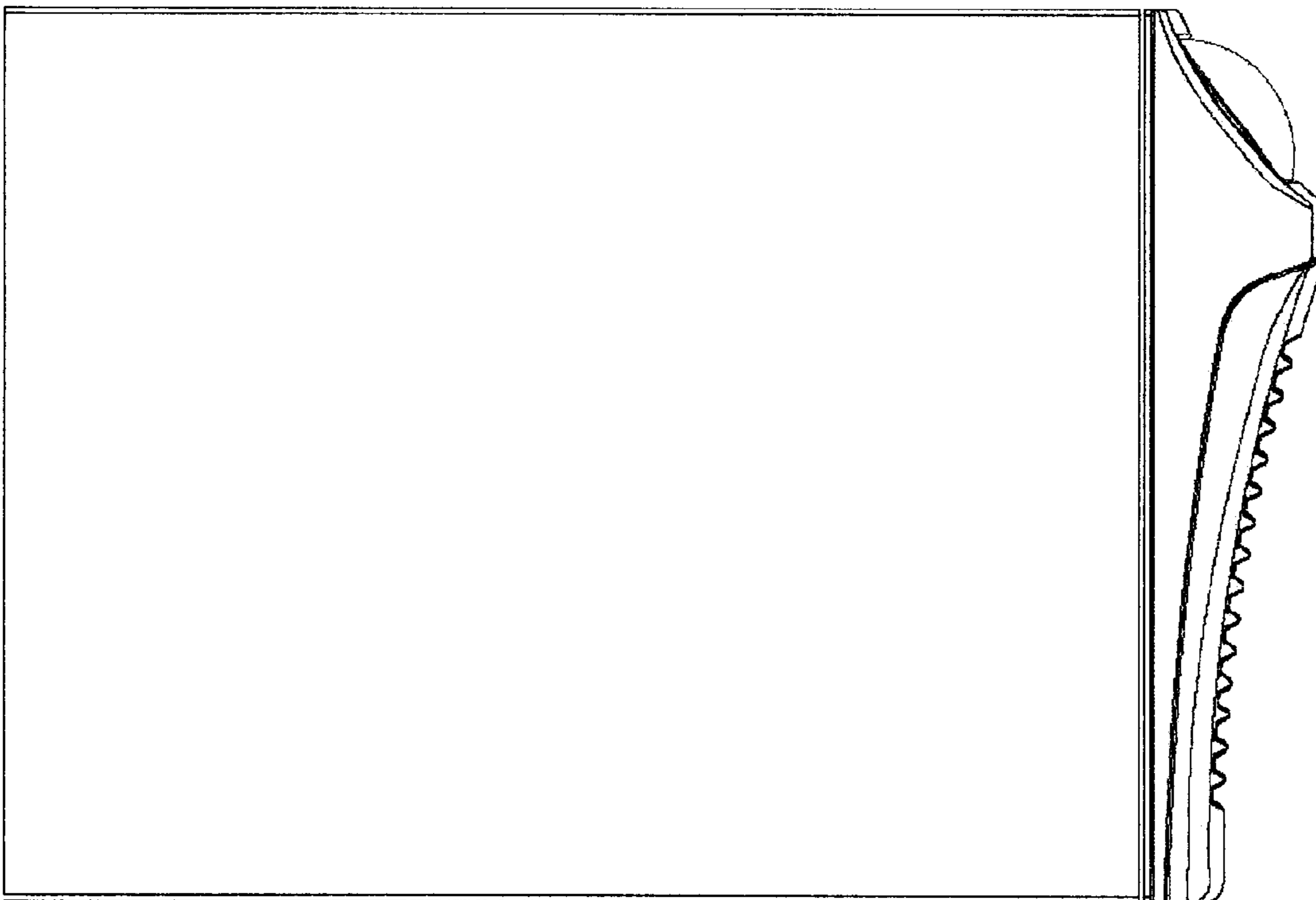


Fig. 5

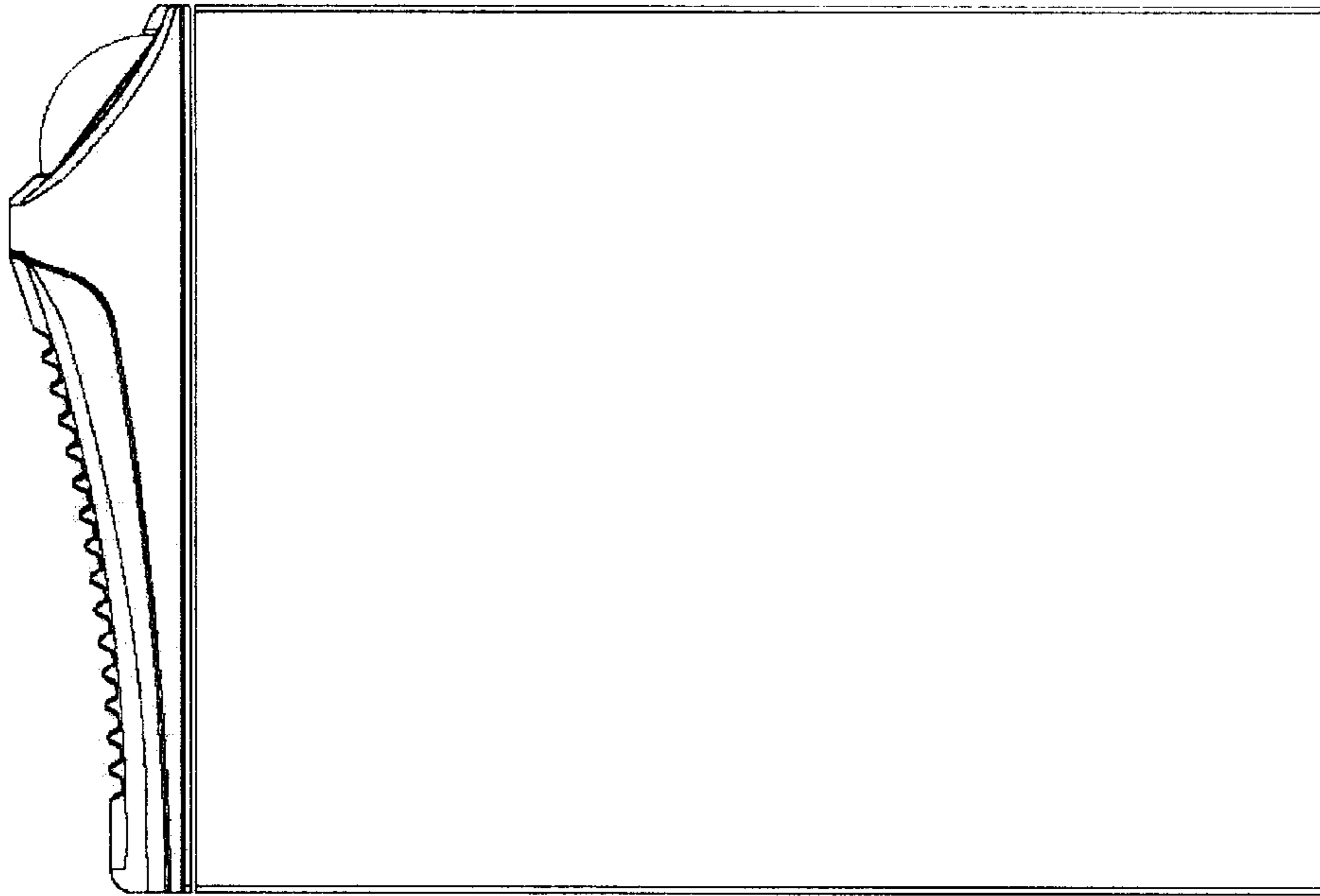


Fig. 6

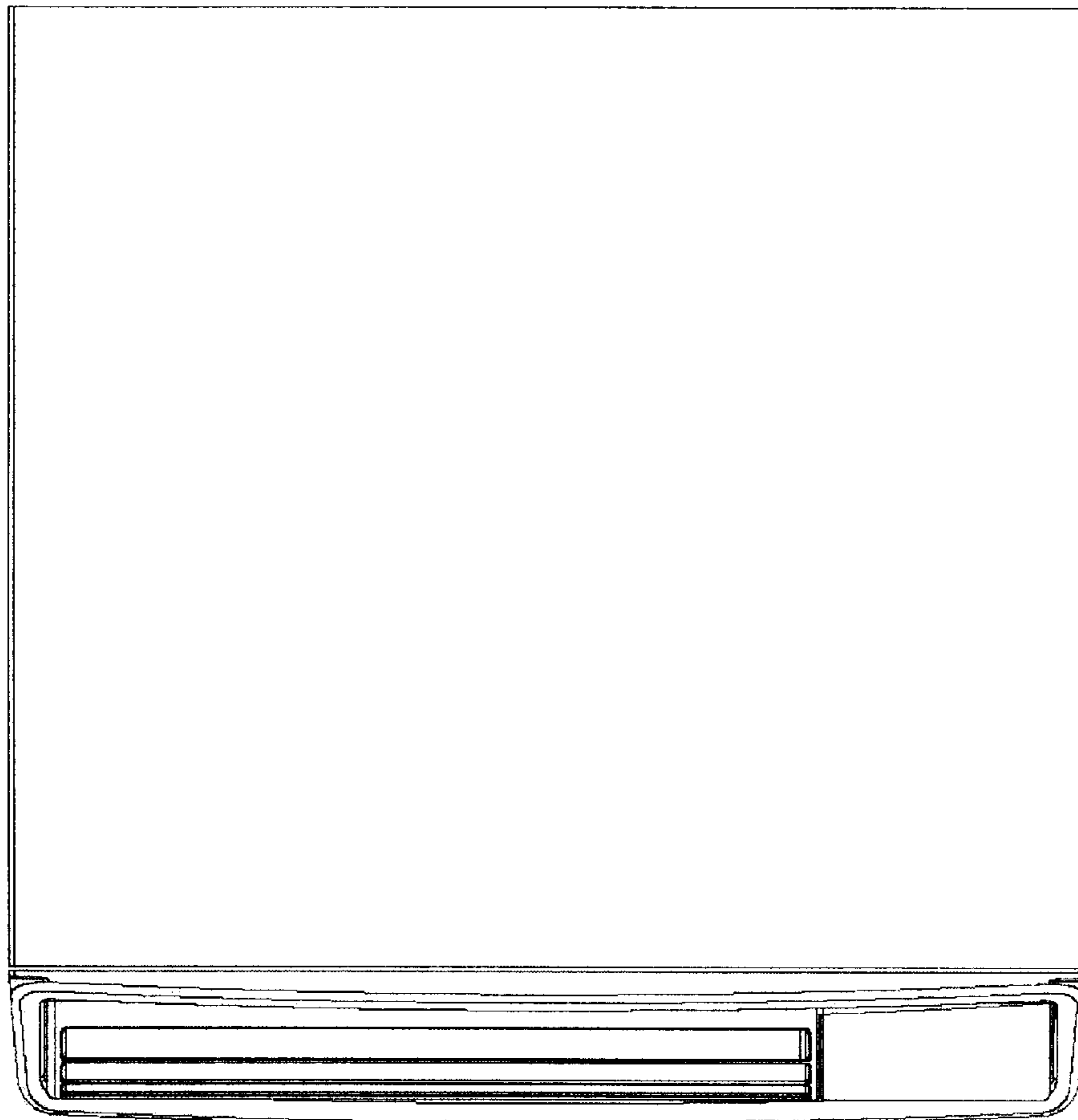


Fig. 7

