



US00D524429S

(12) **United States Design Patent** (10) **Patent No.:** **US D524,429 S**
Bates (45) **Date of Patent:** **** Jul. 4, 2006**

(54) **LAVATORY**

(75) Inventor: **Michael R. Bates**, Sheboygan, WI (US)

(73) Assignee: **Kohler Co.**, Kohler, WI (US)

(**) Term: **14 Years**

(21) Appl. No.: **29/219,515**

(22) Filed: **Dec. 17, 2004**

(51) **LOC (8) Cl.** **23-02**

(52) **U.S. Cl.** **D23/293.1**

(58) **Field of Classification Search** D23/271,
D23/284–285, 289, 292, 303, 308; 4/619,
4/638, 643, 646, 661

See application file for complete search history.

(56) **References Cited**

U.S. PATENT DOCUMENTS

D88,713 S	12/1932	Kohler et al.	
D407,470 S	3/1999	McKeone	
D415,827 S	10/1999	McKeone	
D422,347 S	4/2000	Kawamura	
D441,852 S	5/2001	Smith	
D470,928 S	2/2003	Kawamura et al.	
D479,587 S	9/2003	Smith	
D506,532 S	* 6/2005	Mayer D23/292

OTHER PUBLICATIONS

Duravit website page, Washbasins, 1930 Series, dated Sep. 15, 2004.

Broadway Industries, Inc., The Broadway Collection, copyright 1983 by The Broadway Collection.

Universal Rundle catalog page, Economoy China . . . your best choice for value, Self-Rim Round Lavatory; Oval Basin Lavatory; Colleen Wall-Hung Lavatory; Phoebe Pedestal Lavatory.

Kohler catalog page, Pedestal Basins.
Supplier unknown; (picture of pedestal sink).

* cited by examiner

Primary Examiner—Robert A. Delehanty

(74) *Attorney, Agent, or Firm*—Quarles & Brady LLP

(57) **CLAIM**

The ornamental design for a lavatory, as shown and described.

DESCRIPTION

In a preferred embodiment, the nature of this product is as a plumbing fixture, such as a lavatory and/or pedestal therefor, which is primarily useful for washing the body parts of humans.

FIG. 1 is a top, front perspective view of a lavatory showing my new design;

FIG. 2 is a top plan view thereof;

FIG. 3 is a front elevation view thereof;

FIG. 4 is a left side elevation view, the right side being a mirror image thereof;

FIG. 5 is a rear elevation view thereof;

FIG. 6 is a bottom plan view thereof;

FIG. 7 is a top, front perspective view of a second embodiment of a lavatory;

FIG. 8 is a top plan view thereof;

FIG. 9 is a front elevation view thereof;

FIG. 10 is a left side elevation view, the right side being a mirror image thereof;

FIG. 11 is a rear elevation view thereof; and,

FIG. 12 is a bottom plan view thereof.

The broken line representations of the rear, underside, and internal environment in FIGS. 3–6 and 9–12 are for the purpose of illustration only, and form no part of the claimed design.

1 Claim, 5 Drawing Sheets

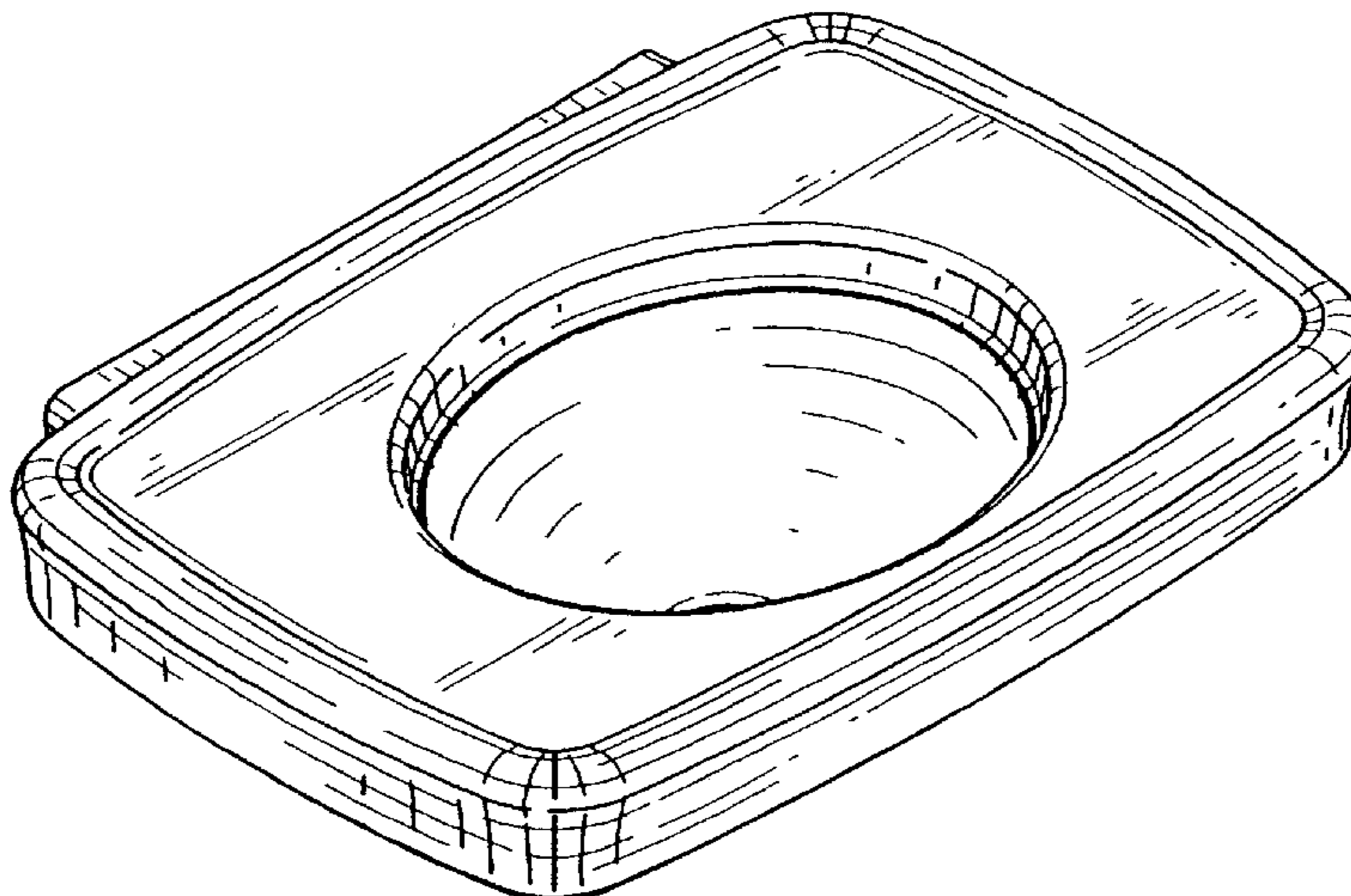


FIG. 1

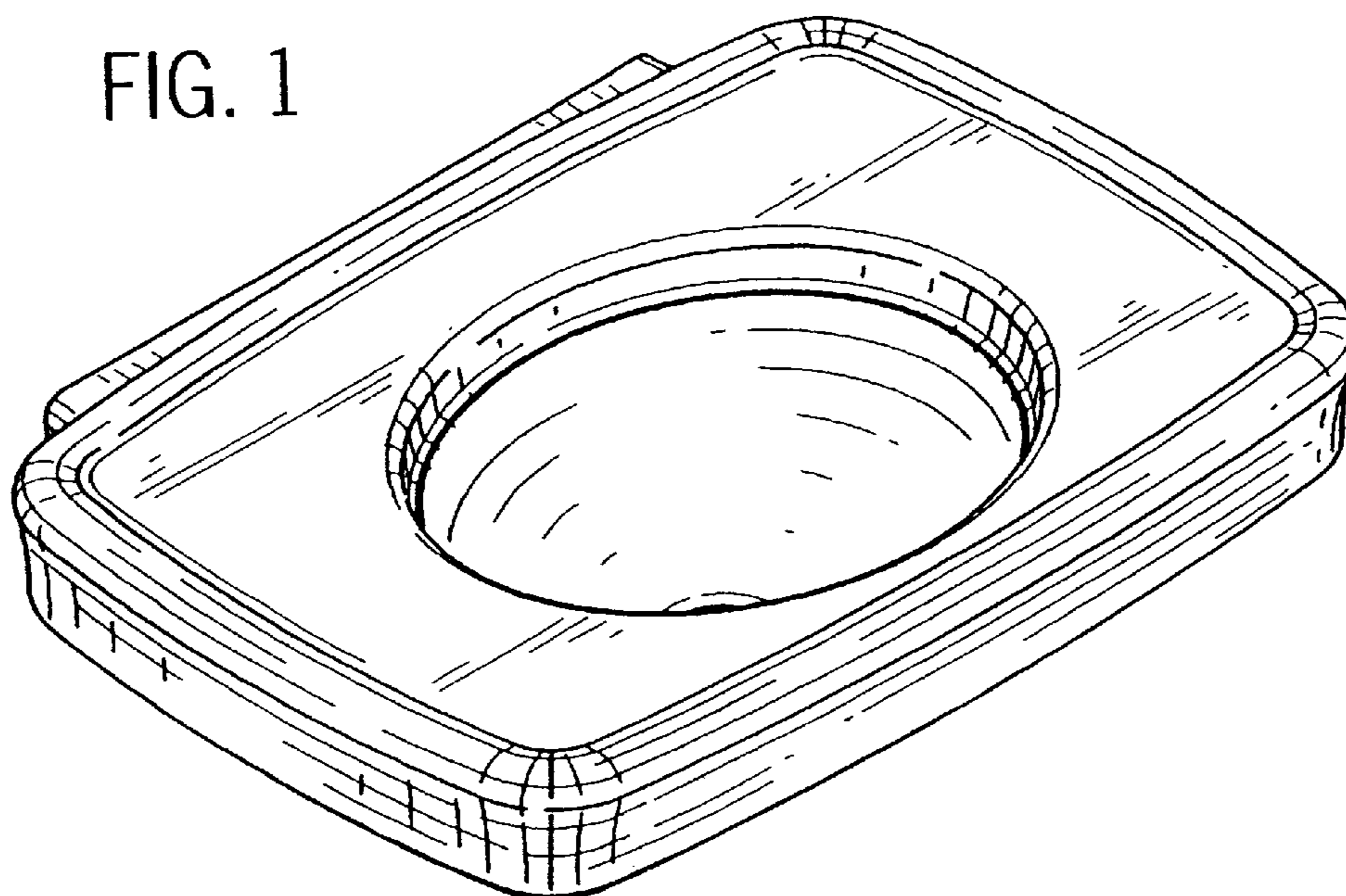


FIG. 2

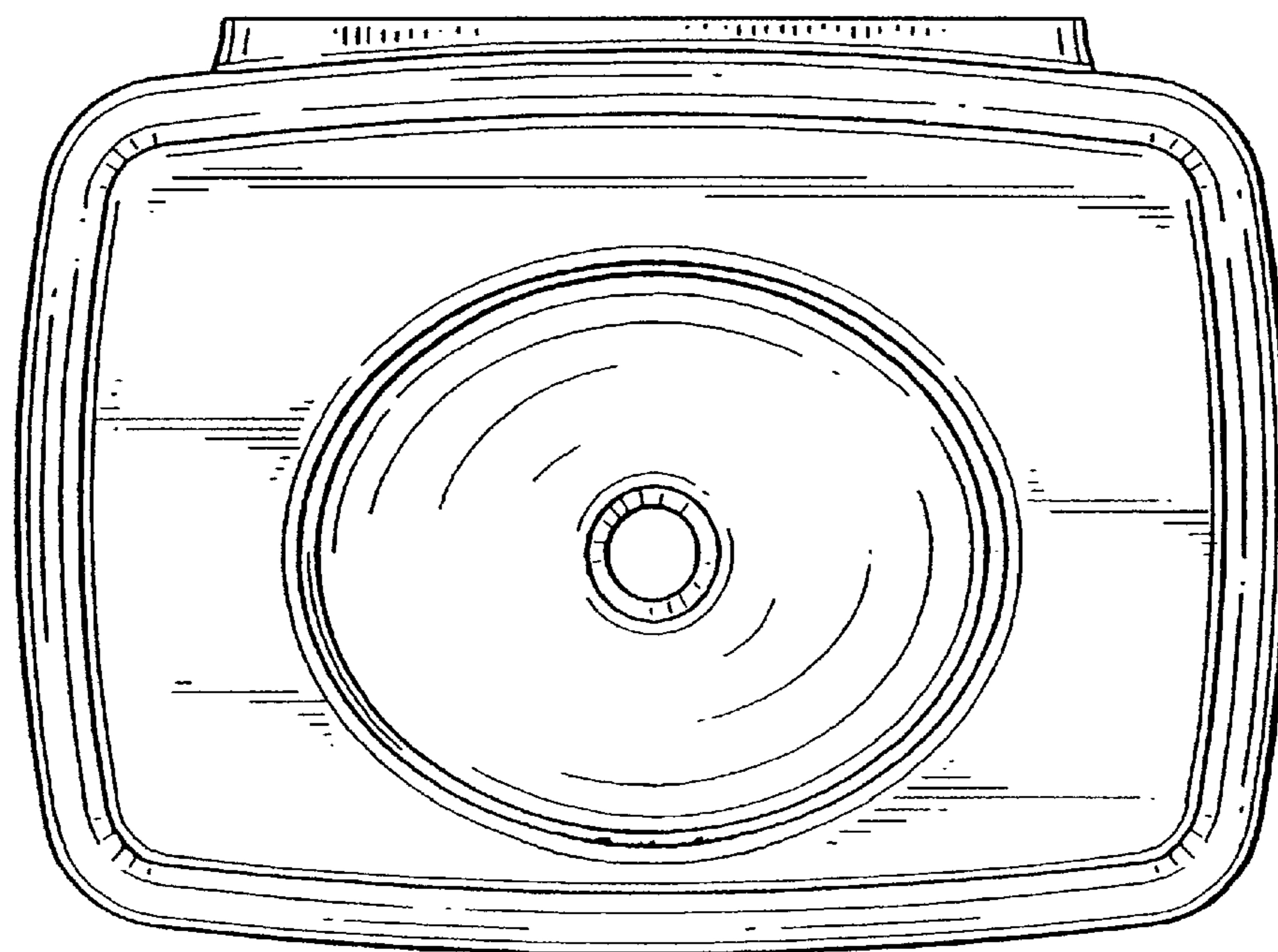


FIG. 3

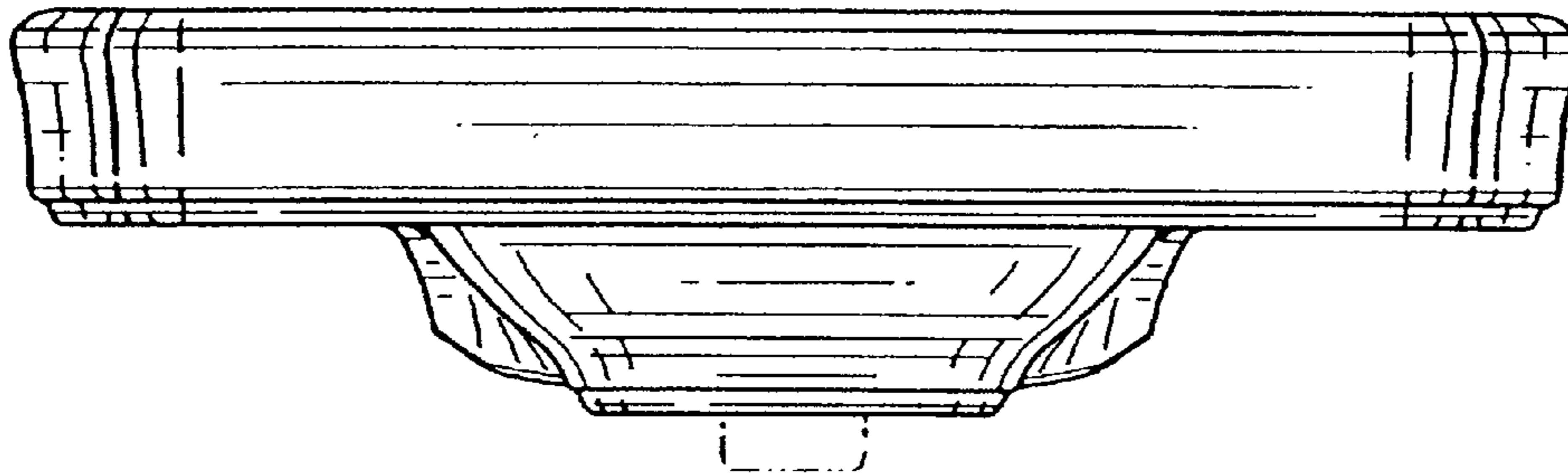


FIG. 4

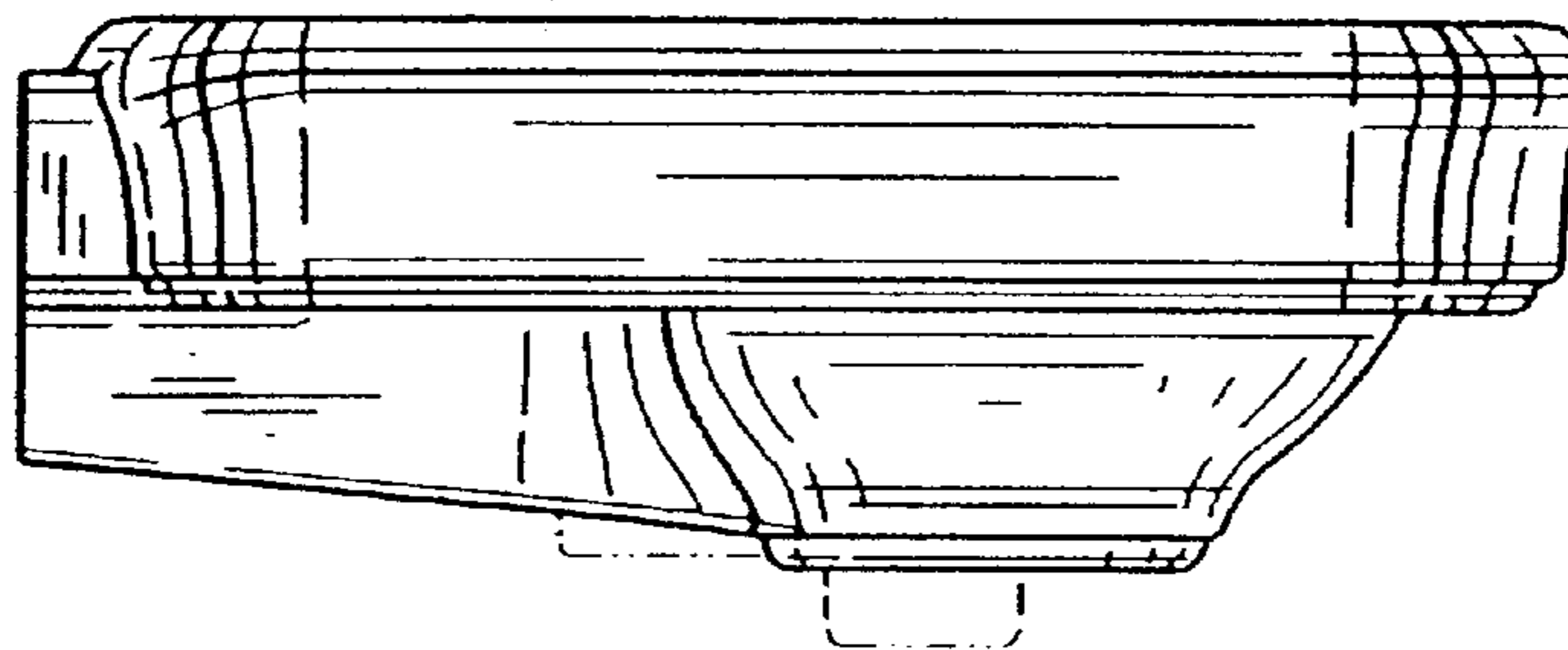


FIG. 5

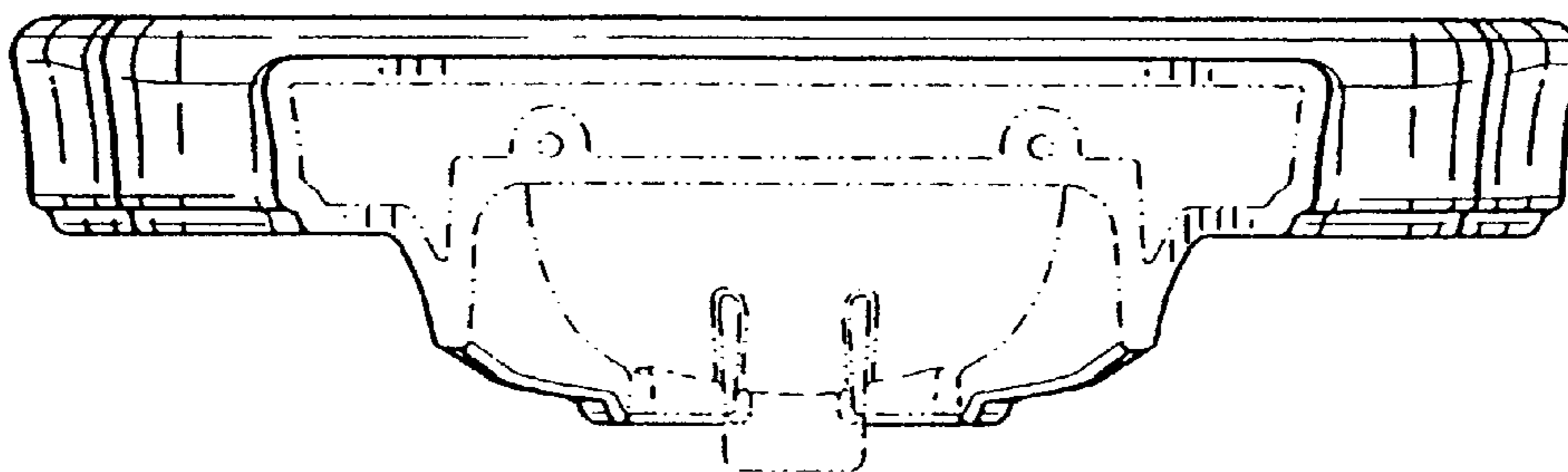


FIG. 6

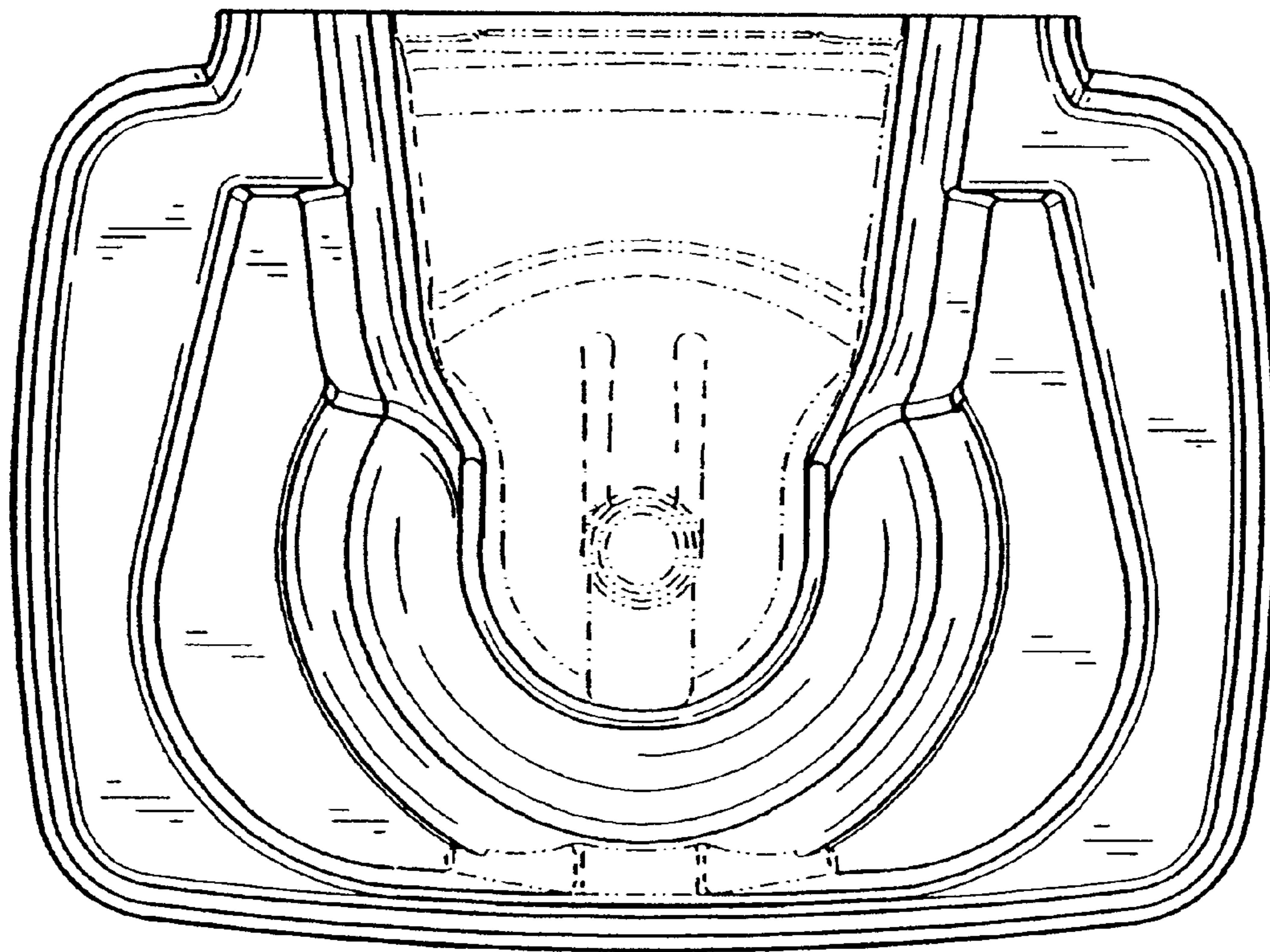


FIG. 7

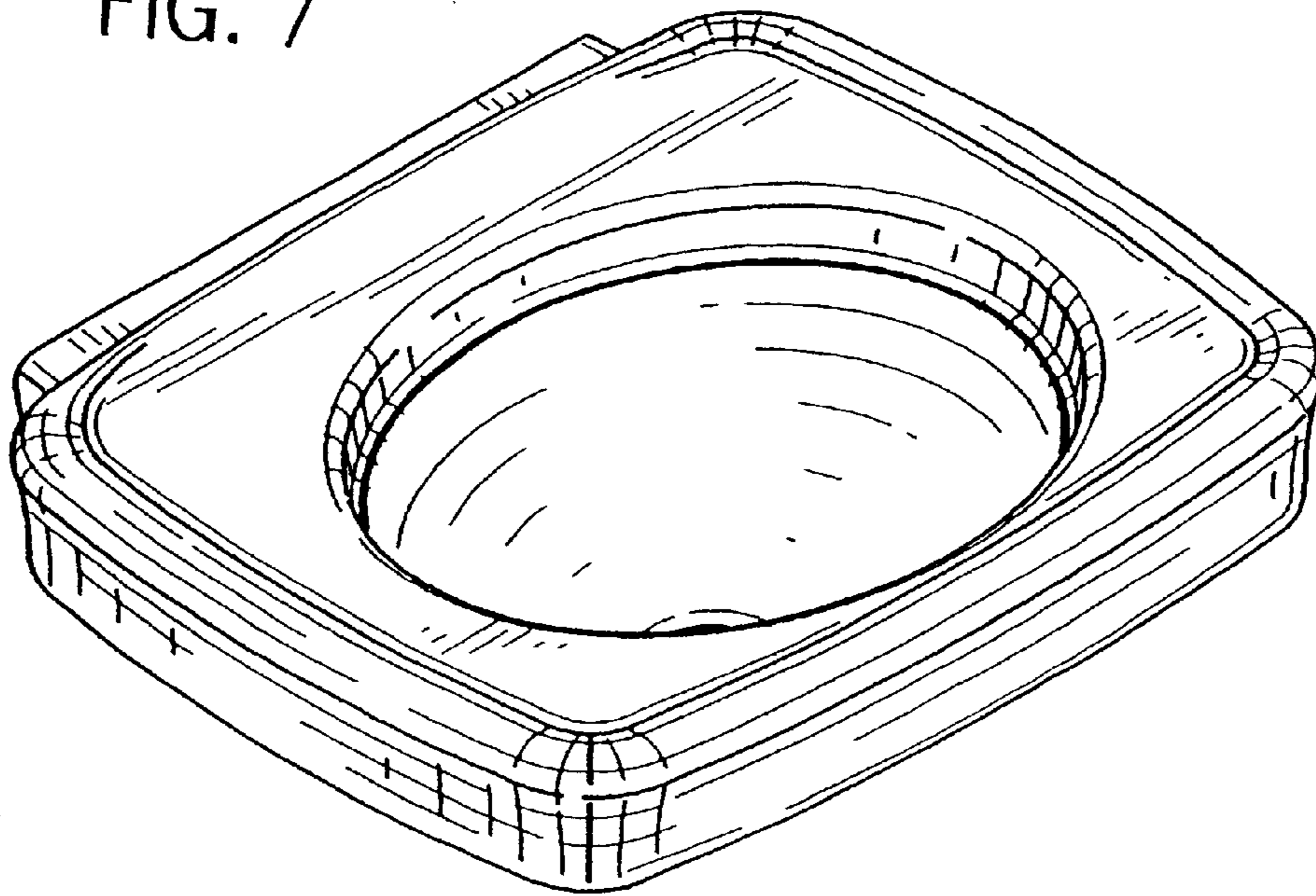


FIG. 8

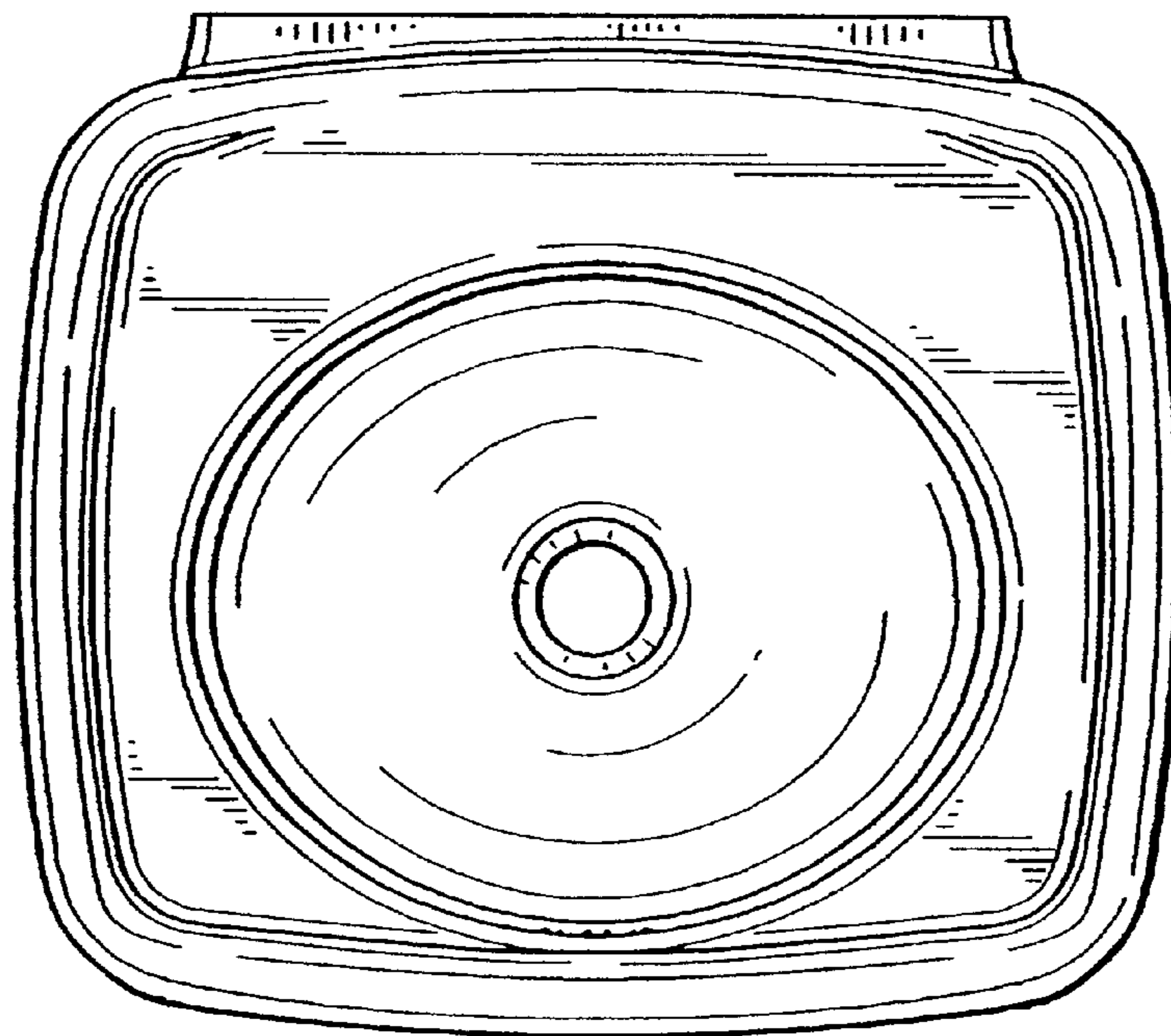


FIG. 9

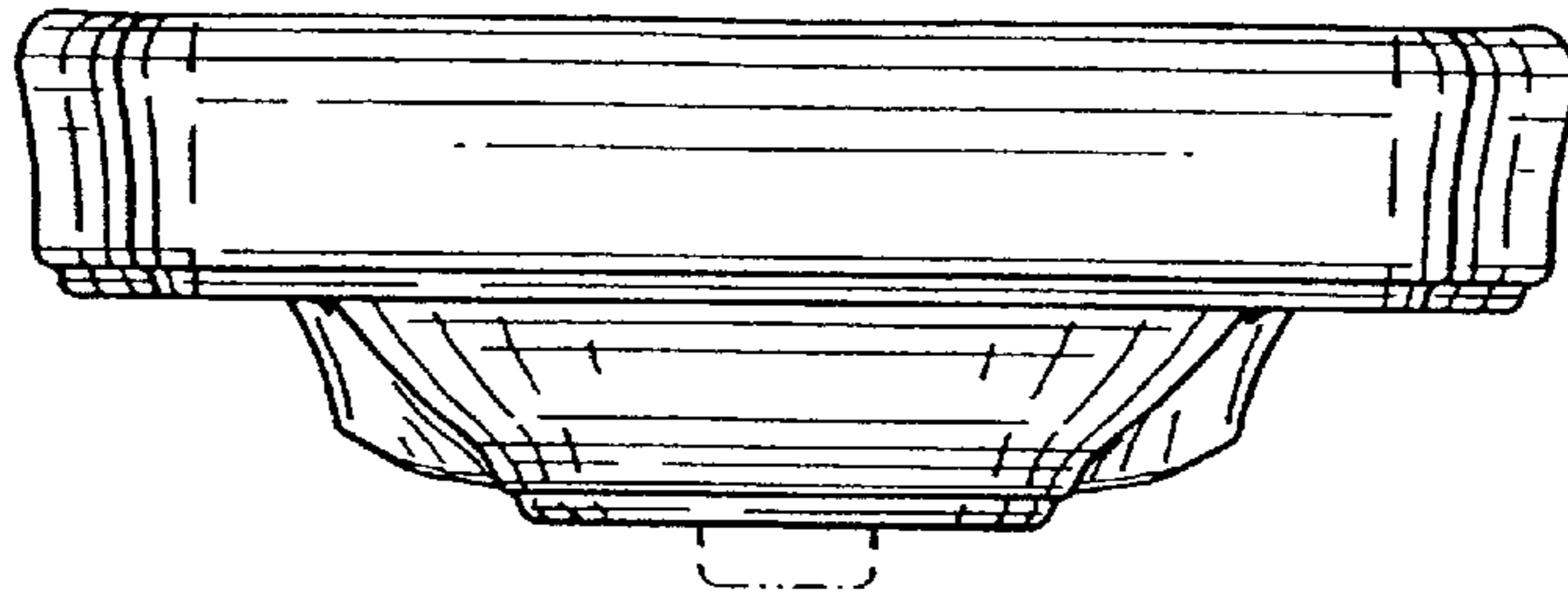


FIG. 10

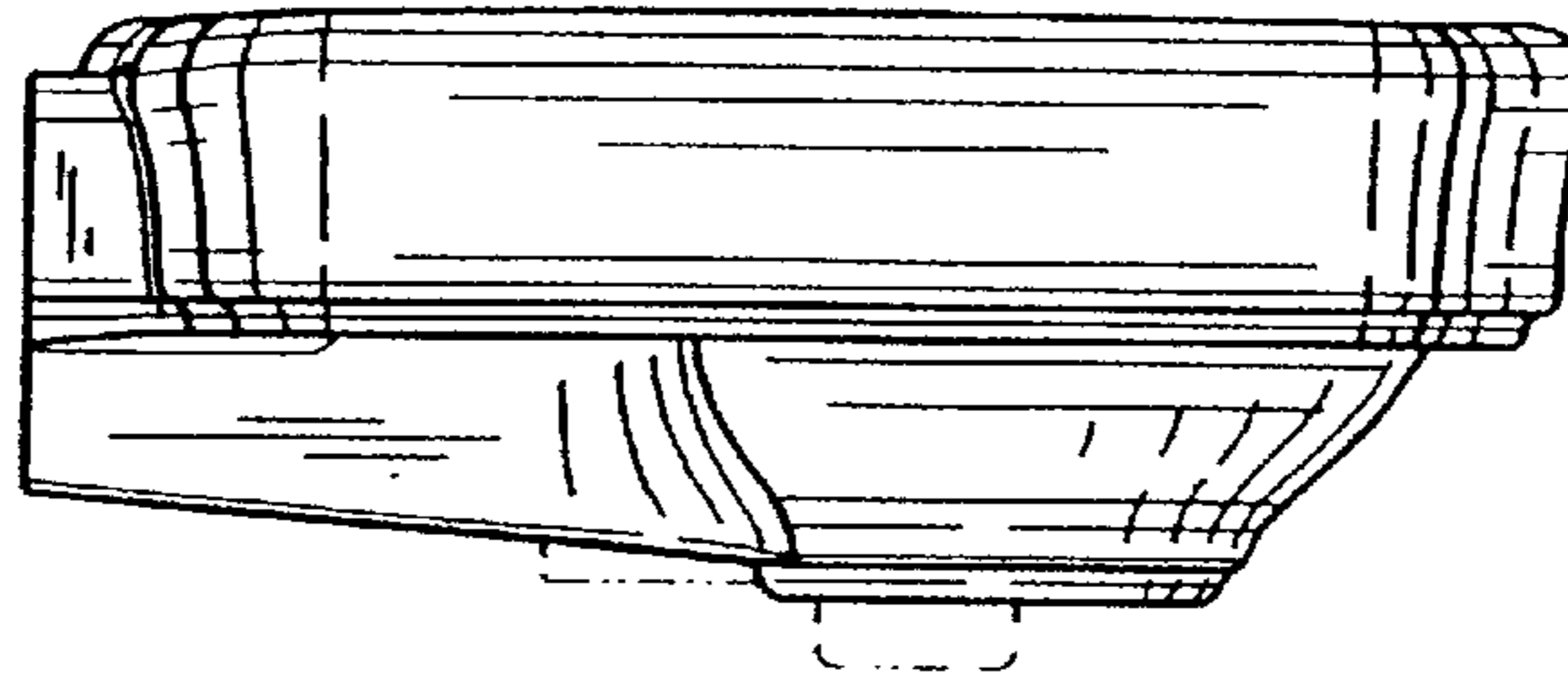


FIG. 11

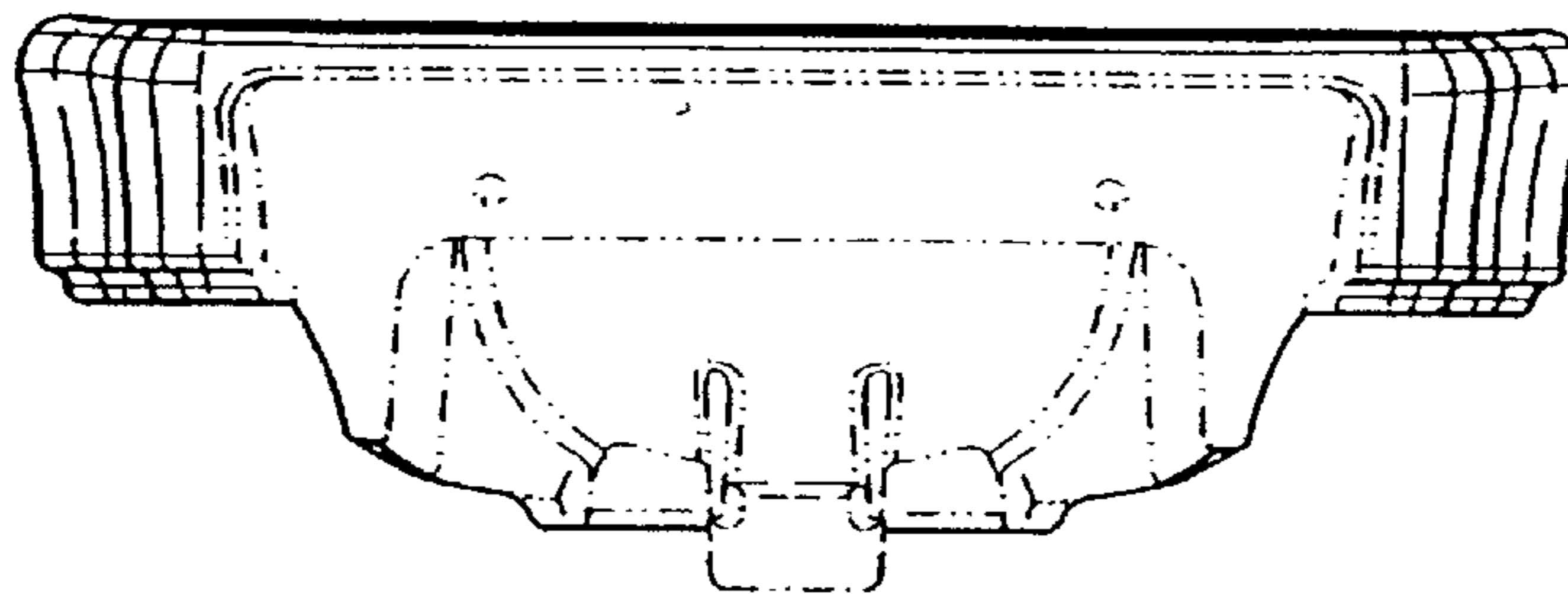


FIG. 12

