

US00D524428S

(12) **United States Design Patent**  
**Lanius**

(10) **Patent No.:** **US D524,428 S**  
(45) **Date of Patent:** **\*\* Jul. 4, 2006**

(54) **TUB FOR BATHING**

(75) Inventor: **Jason T. Lanius**, Sheboygan, WI (US)

(73) Assignee: **Kohler Canada Co.**, Thornhill

(\*\*) Term: **14 Years**

(21) Appl. No.: **29/212,980**

(22) Filed: **Sep. 10, 2004**

(51) **LOC (8) Cl.** ..... **23-02**

(52) **U.S. Cl.** ..... **D23/277**

(58) **Field of Classification Search** ..... D23/273,  
D23/276-277, 280.1-280.3, 303-306; D24/204-205;  
4/538, 584

See application file for complete search history.

(56) **References Cited**

**U.S. PATENT DOCUMENTS**

D237,183 S	10/1975	Bonsack	
D310,566 S	* 9/1990	Jacuzzi	..... D24/205
D319,686 S	* 9/1991	Levien	..... D23/280.1
D322,308 S	* 12/1991	Primucci et al.	..... D23/277
D333,515 S	2/1993	Levien	
D334,231 S	* 3/1993	Kohler et al.	..... D23/280.1
5,333,325 A	* 8/1994	Levien et al.	..... 4/584
D354,116 S	1/1995	McKeone	
D395,075 S	6/1998	Kolada	
D400,654 S	11/1998	Jacuzzi	
D443,045 S	5/2001	Salmon	
D480,788 S	10/2003	Carey	

**OTHER PUBLICATIONS**

Builder Whirlpool catalog page from website, BW6042 and BW6060, dated Sep. 9, 2004.

American Jetted Bathtubs catalog page from website, dated Sep. 9, 2004.

Hoesch catalog, Delta 1300, Acocryl-Luxuswanne; Delta 1500, Acocryl-Luxuswanne, undated.

\* cited by examiner

*Primary Examiner*—Robert A. Delehanty

(74) *Attorney, Agent, or Firm*—Quarles & Brady LLP

(57) **CLAIM**

The ornamental design for a tub for bathing, as shown and described.

**DESCRIPTION**

In a preferred embodiment, the nature of this product is as a plumbing fixture in the form of a bathing tub primary useful for washing the human body.

FIG. 1 is a right, top, front perspective view of a tub for bathing embodying my new design;

FIG. 2 is a top plan view thereof;

FIG. 3 is a front elevational view thereof;

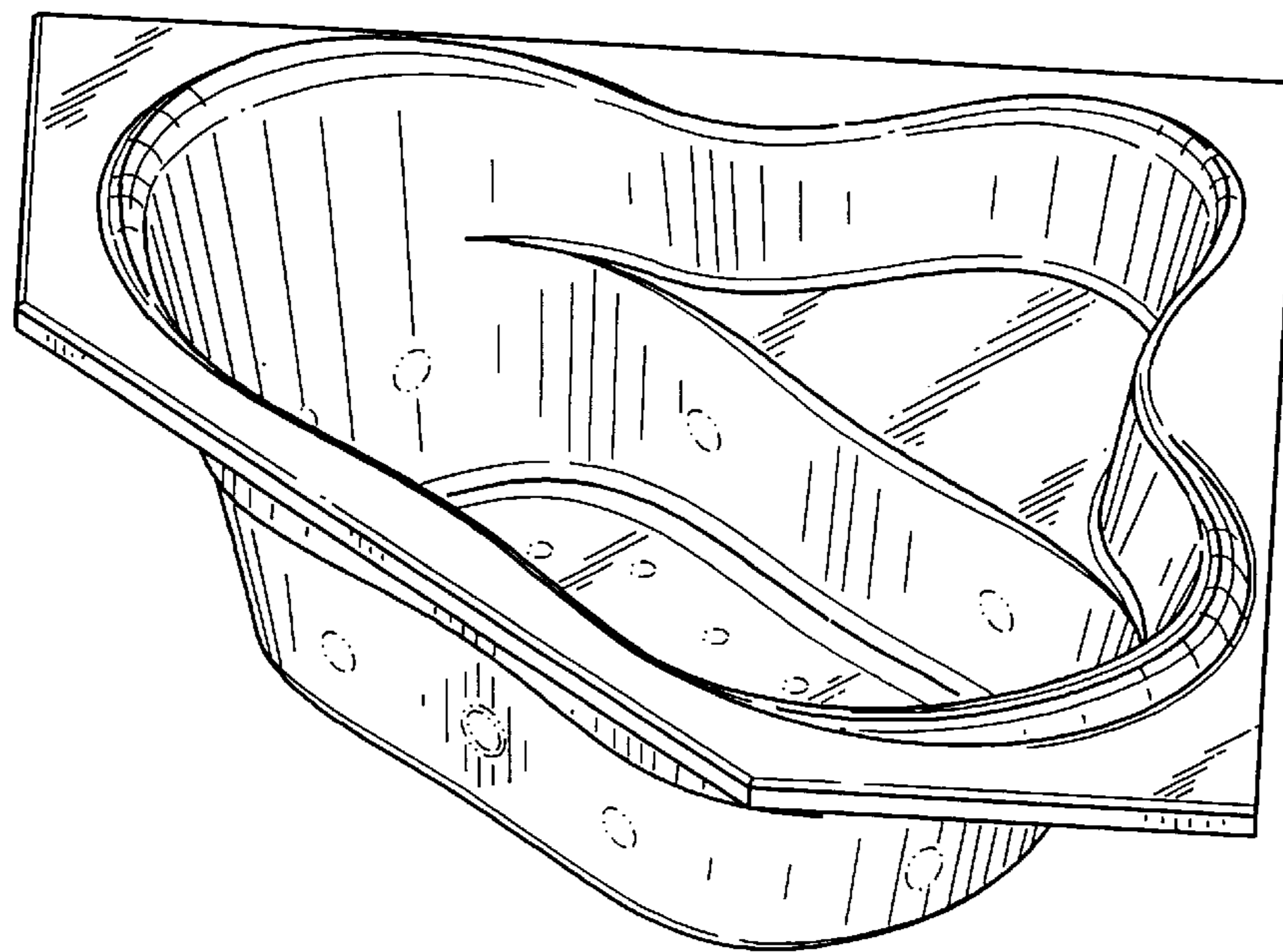
FIG. 4 is a right side elevational view thereof, the left side elevational view thereof being a mirror image of the left side shown;

FIG. 5 is a rear elevational view thereof; and,

FIG. 6 is a bottom plan view thereof.

The broken line representations of a drain in FIGS. 2-6 and holes in FIGS. 1-6 are for the purpose of illustration only, and form no part of the claimed design.

**1 Claim, 3 Drawing Sheets**



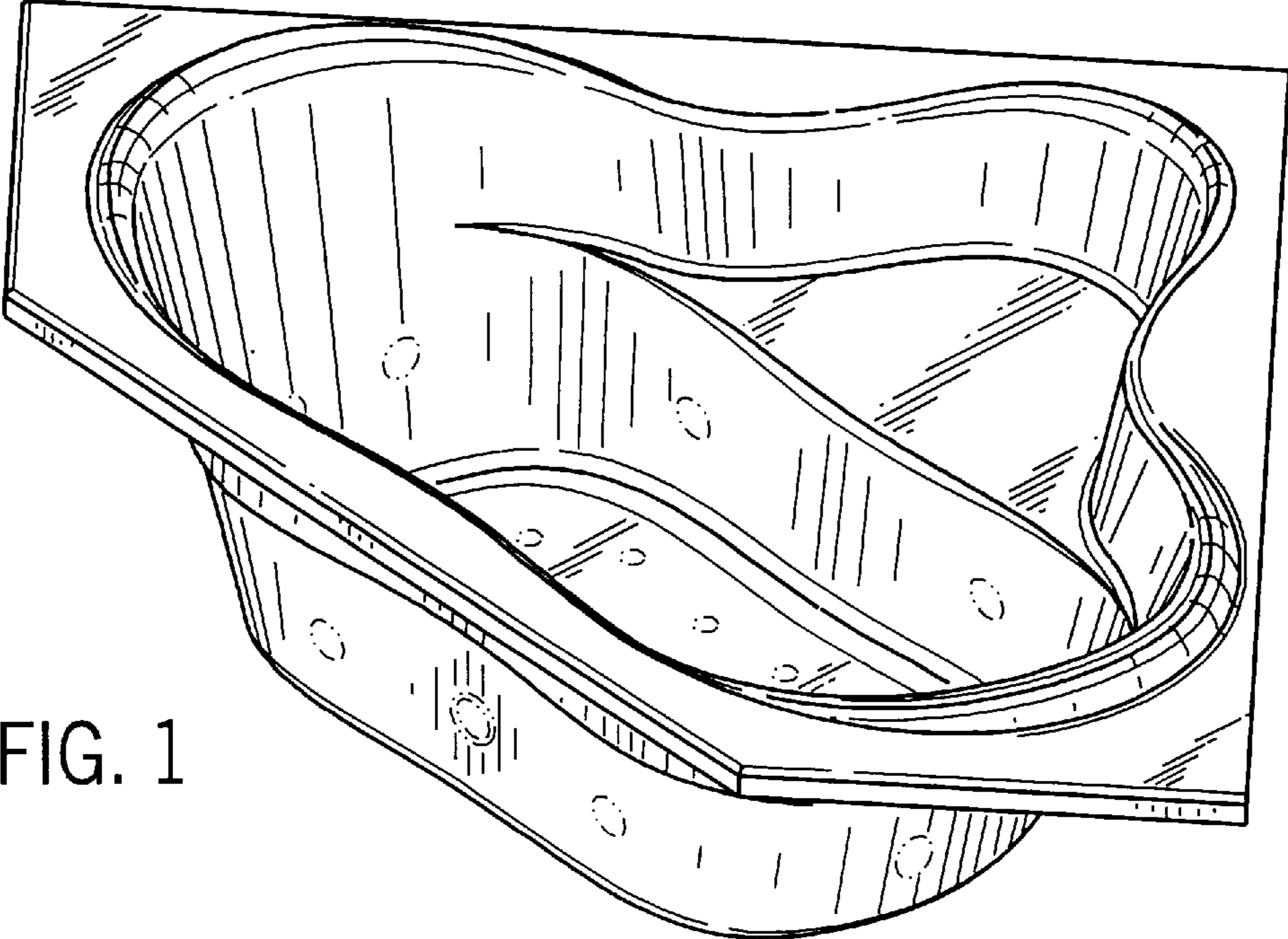


FIG. 1

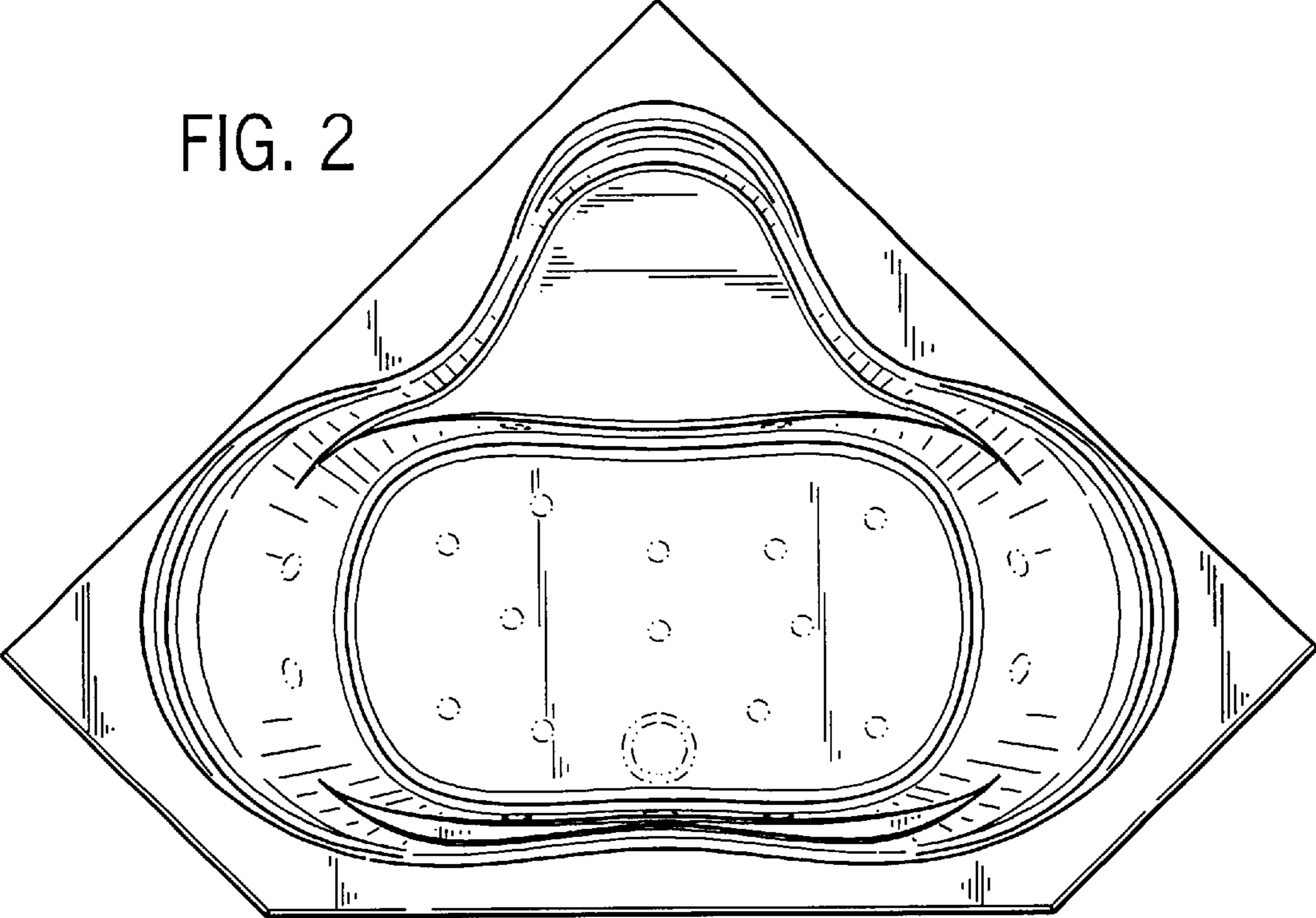


FIG. 2

FIG. 3

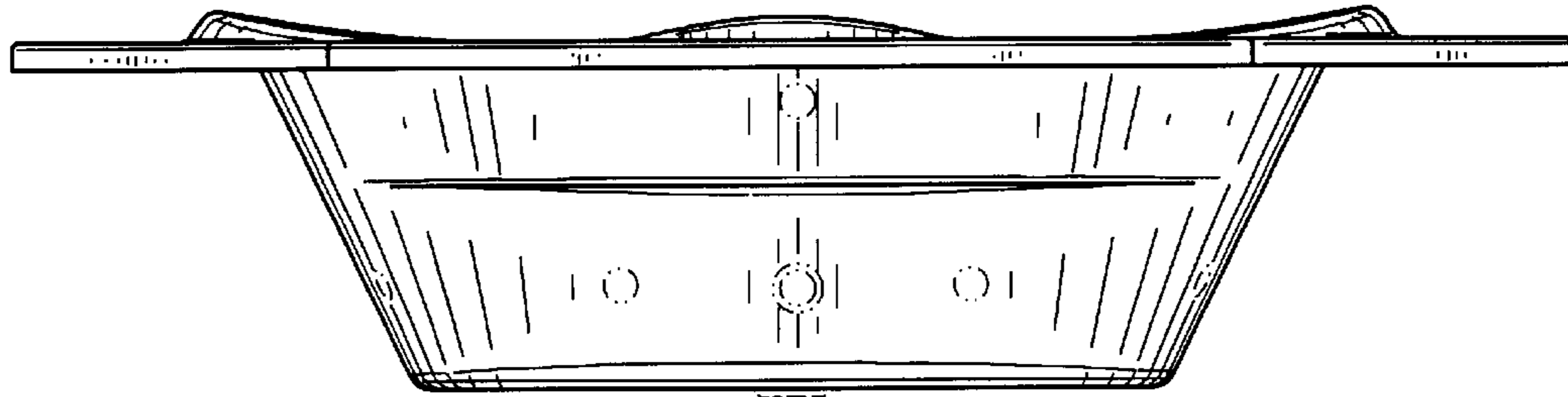


FIG. 4

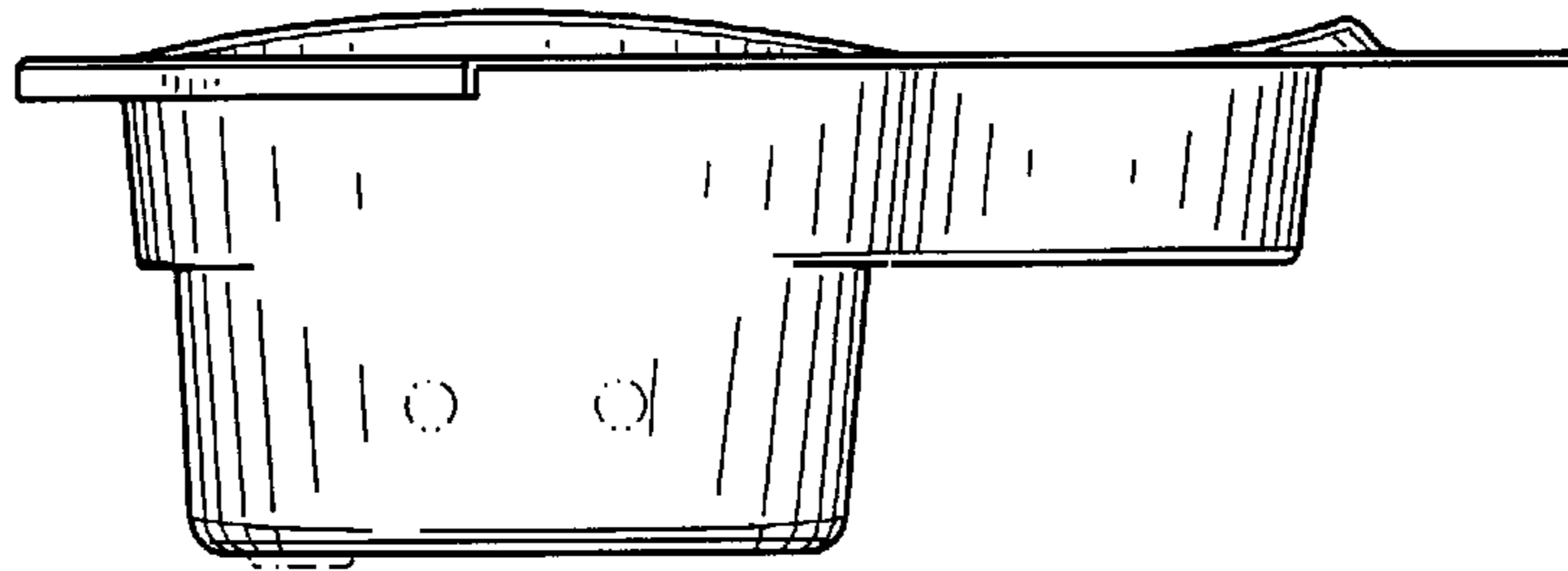


FIG. 5

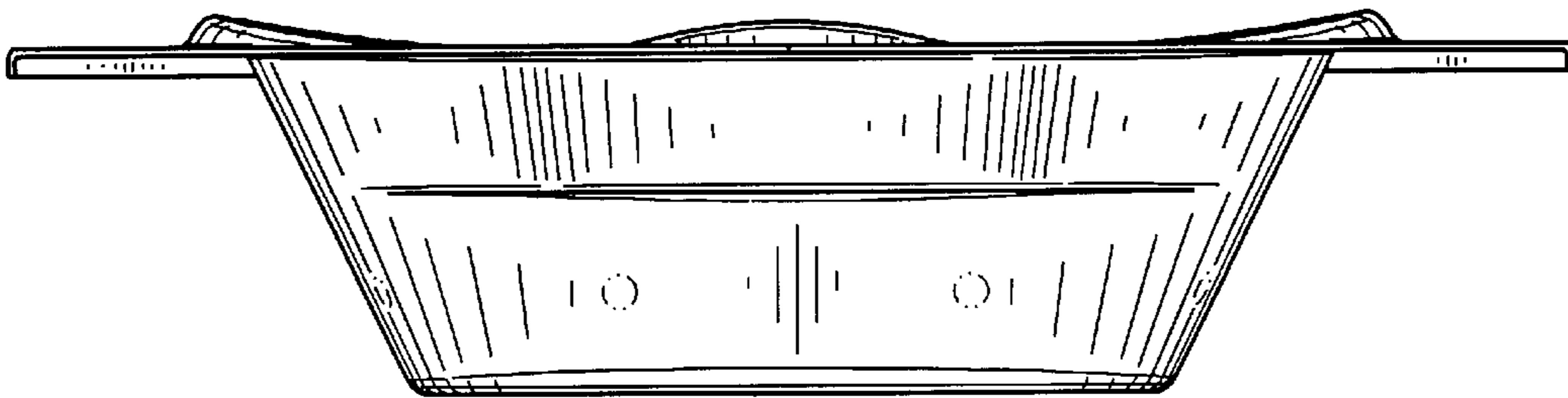


FIG. 6

