

US00D524426S

(12) **United States Design Patent** (10) **Patent No.:** **US D524,426 S**  
**Sallick et al.** (45) **Date of Patent:** **\*\* Jul. 4, 2006**

(54) **SPOUT**

(75) Inventors: **Peter Sallick**, Westport, CT (US); **Peter Shelton**, New York, NY (US); **Lee Mindel**, New York, NY (US)

(73) Assignee: **Waterworks, Inc**, Danbury, CT (US)

(\*\*) Term: **14 Years**

(21) Appl. No.: **29/236,937**

(22) Filed: **Aug. 24, 2005**

(51) **LOC (8) Cl.** ..... **23-01**

(52) **U.S. Cl.** ..... **D23/255**

(58) **Field of Classification Search** ..... D23/238–257;  
4/675–678; 137/801  
See application file for complete search history.

(56) **References Cited**

U.S. PATENT DOCUMENTS

D267,110 S	*	11/1982	Arnolds	.....	D23/242
D445,875 S	*	7/2001	Fleischmann	.....	D23/238
D461,538 S	*	8/2002	Gottwald	.....	D23/255
D461,539 S	*	8/2002	Gottwald	.....	D23/255
D492,011 S	*	6/2004	Blattner	.....	D23/238

\* cited by examiner

*Primary Examiner*—Louis S. Zarfes

*Assistant Examiner*—Gregory Andoll

(74) *Attorney, Agent, or Firm*—Goodwin Procter, LLP

(57) **CLAIM**

The ornamental design for a spout, as shown and described.

**DESCRIPTION**

FIG. 1 is a perspective view of the spout showing our new design;

FIG. 2 is a front elevational view thereof;

FIG. 3 is a rear elevational view thereof;

FIG. 4 is a right side elevational view thereof, the left side being a mirror image of the right side;

FIG. 5 is a top plan view thereof;

FIG. 6 is a bottom plan view thereof;

FIG. 7 is a perspective view of a second embodiment of the design shown in FIG. 1, the only difference being in the length of the spout;

FIG. 8 is a front elevational view thereof;

FIG. 9 is a rear elevational view thereof;

FIG. 10 is a right side elevational view thereof, the left side being a mirror image of the right side;

FIG. 11 is a top plan view thereof; and,

FIG. 12 is a bottom plan view thereof.

The broken line showing of the opening in FIGS. 6 and 12 is for illustrative purposes only and forms no part of the claimed design.

**1 Claim, 10 Drawing Sheets**

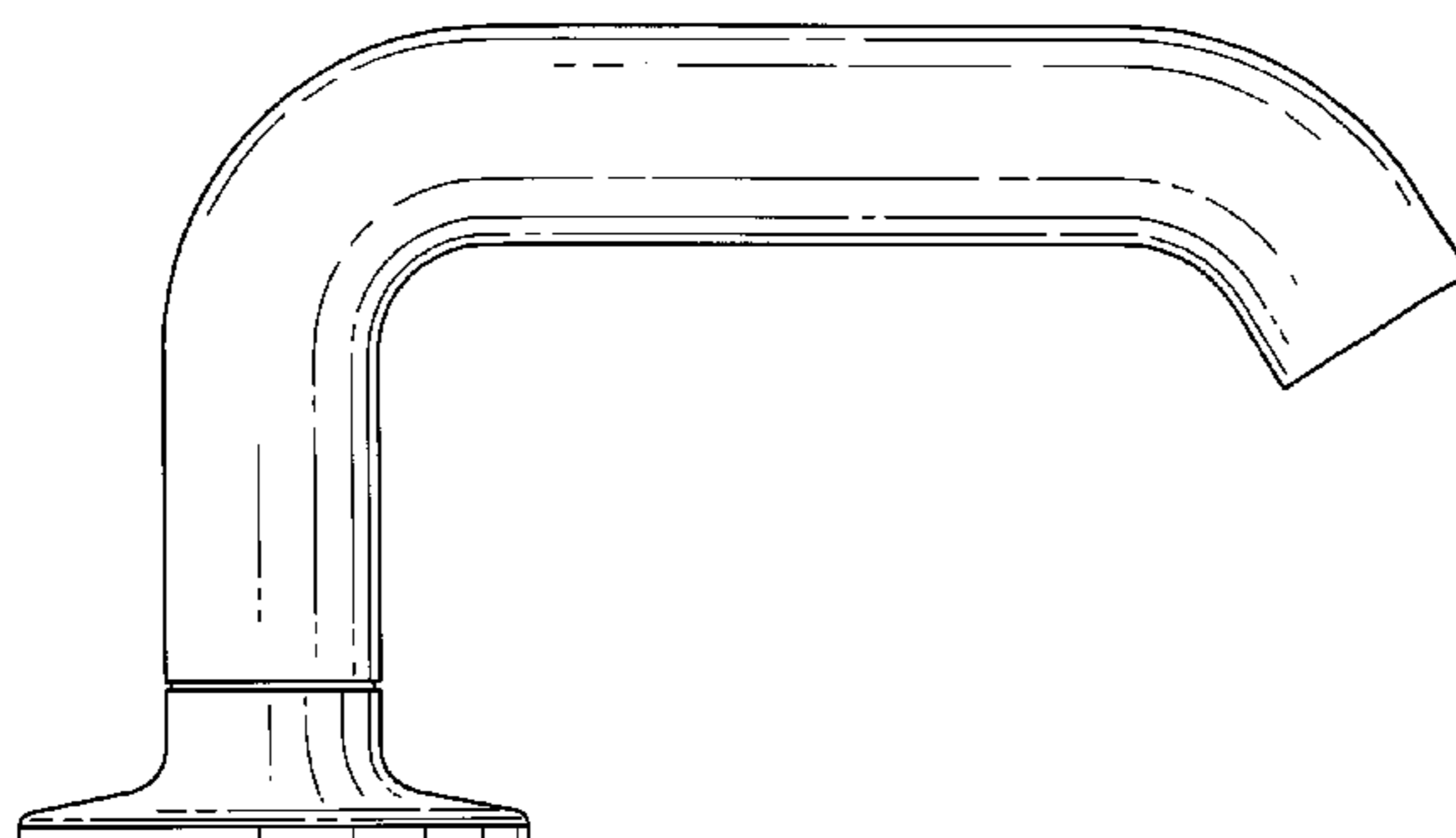
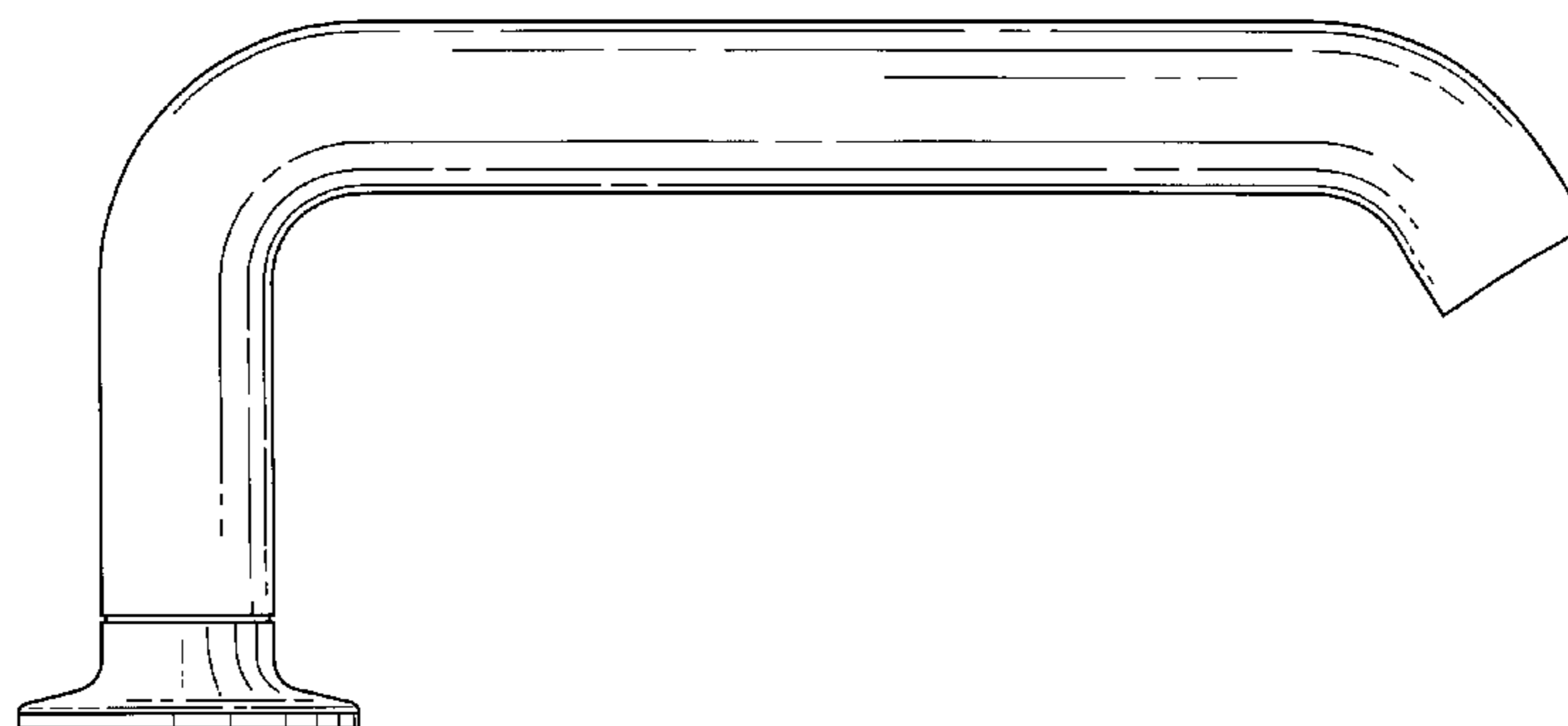
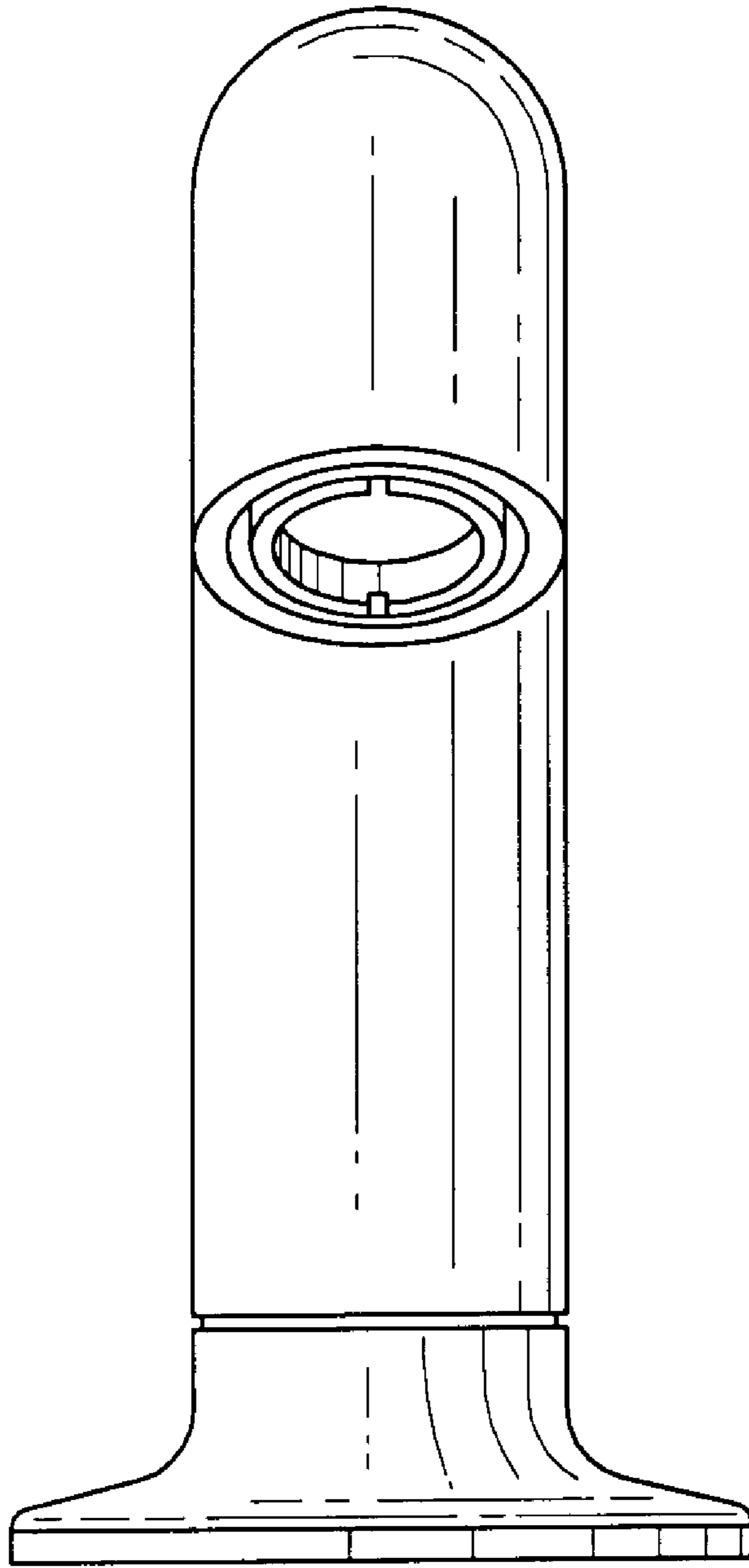
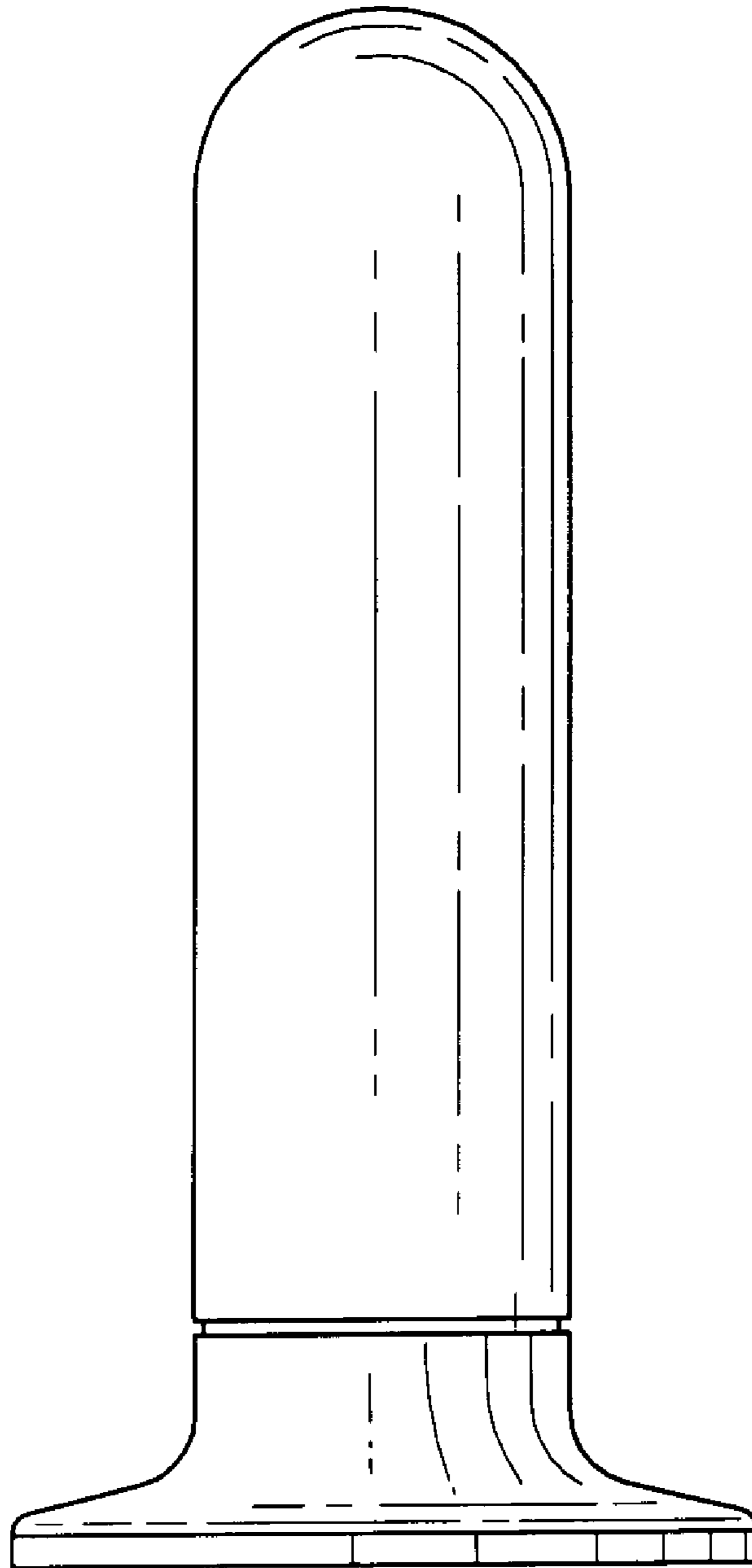




FIG. 1



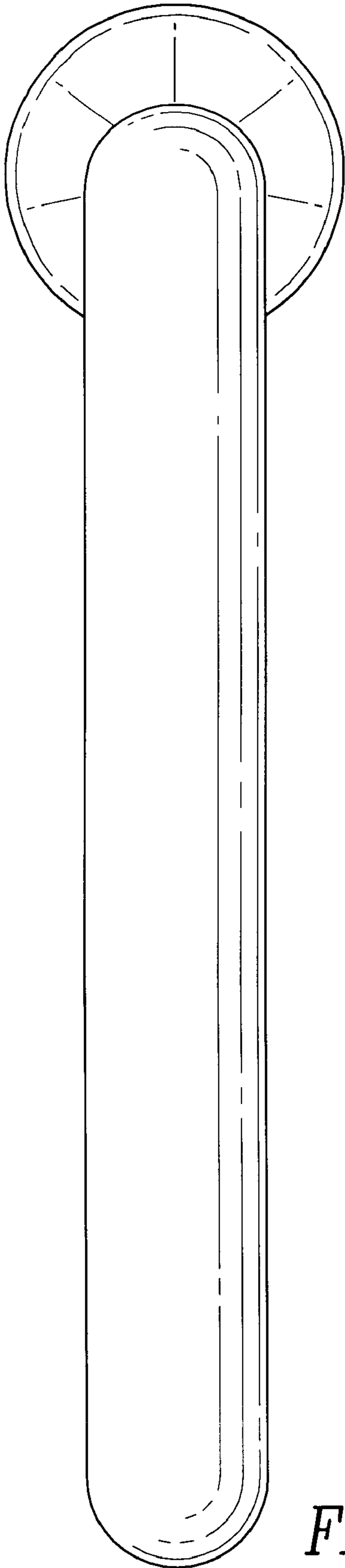
*FIG. 2*



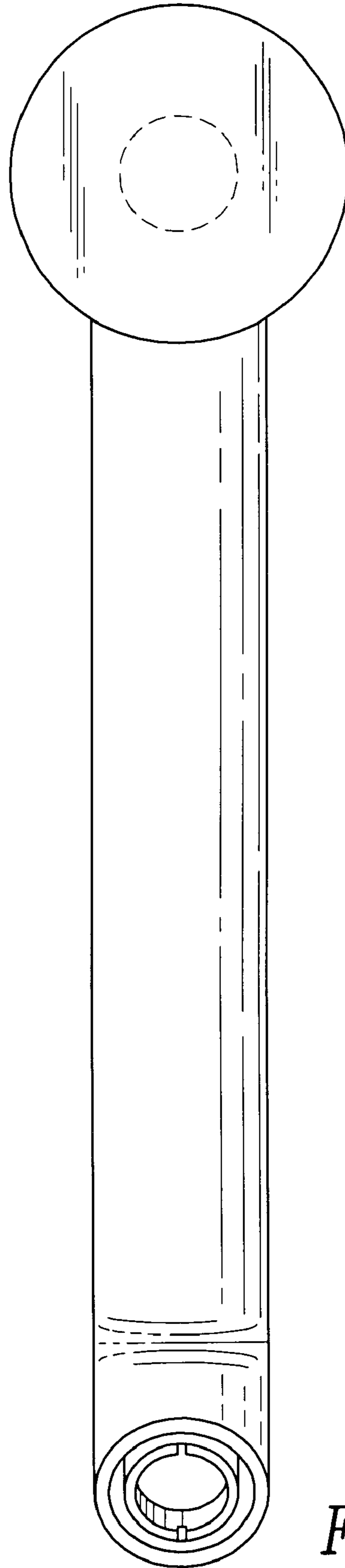
*FIG. 3*



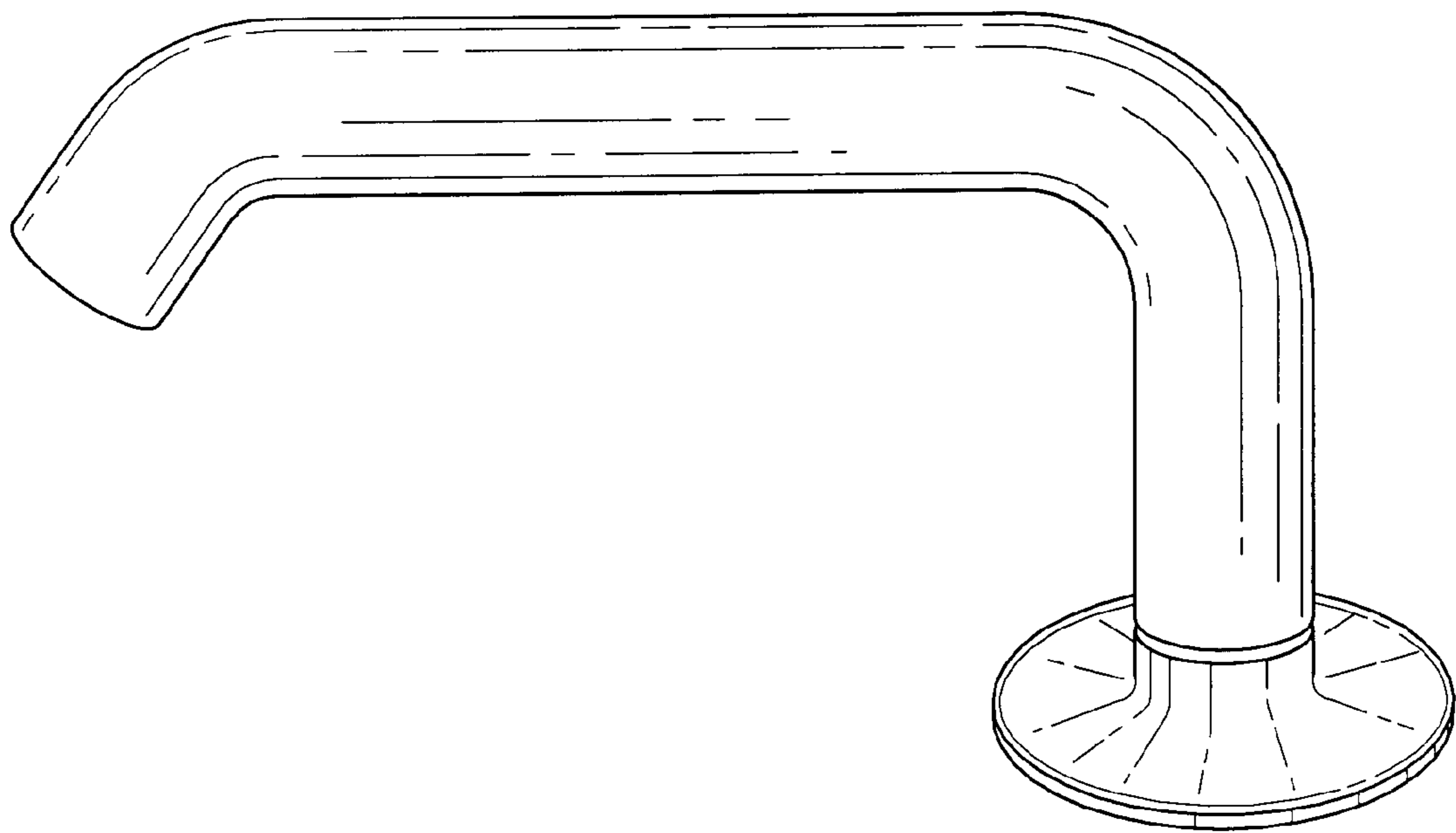
FIG. 4



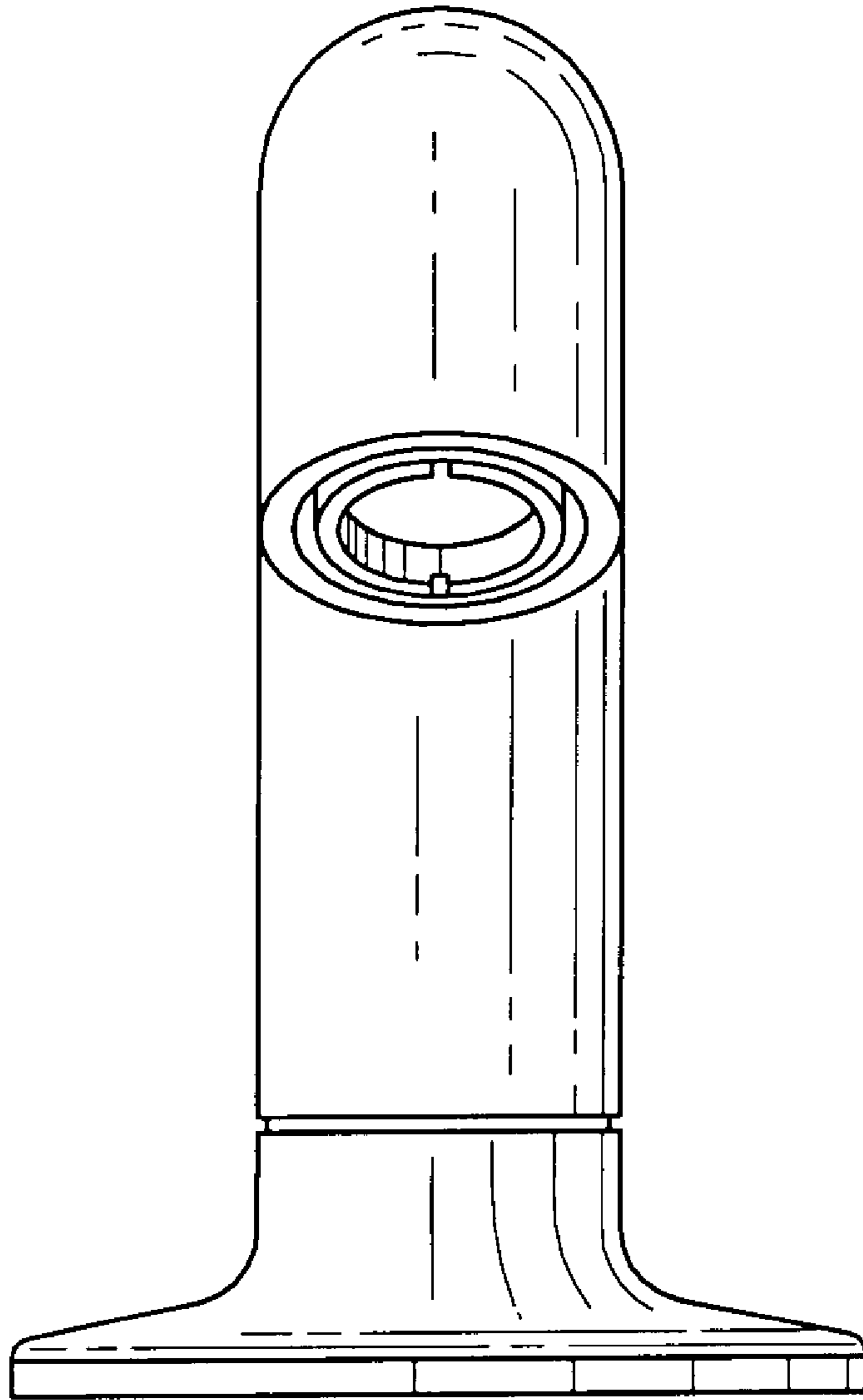
*FIG. 5*



*FIG. 6*

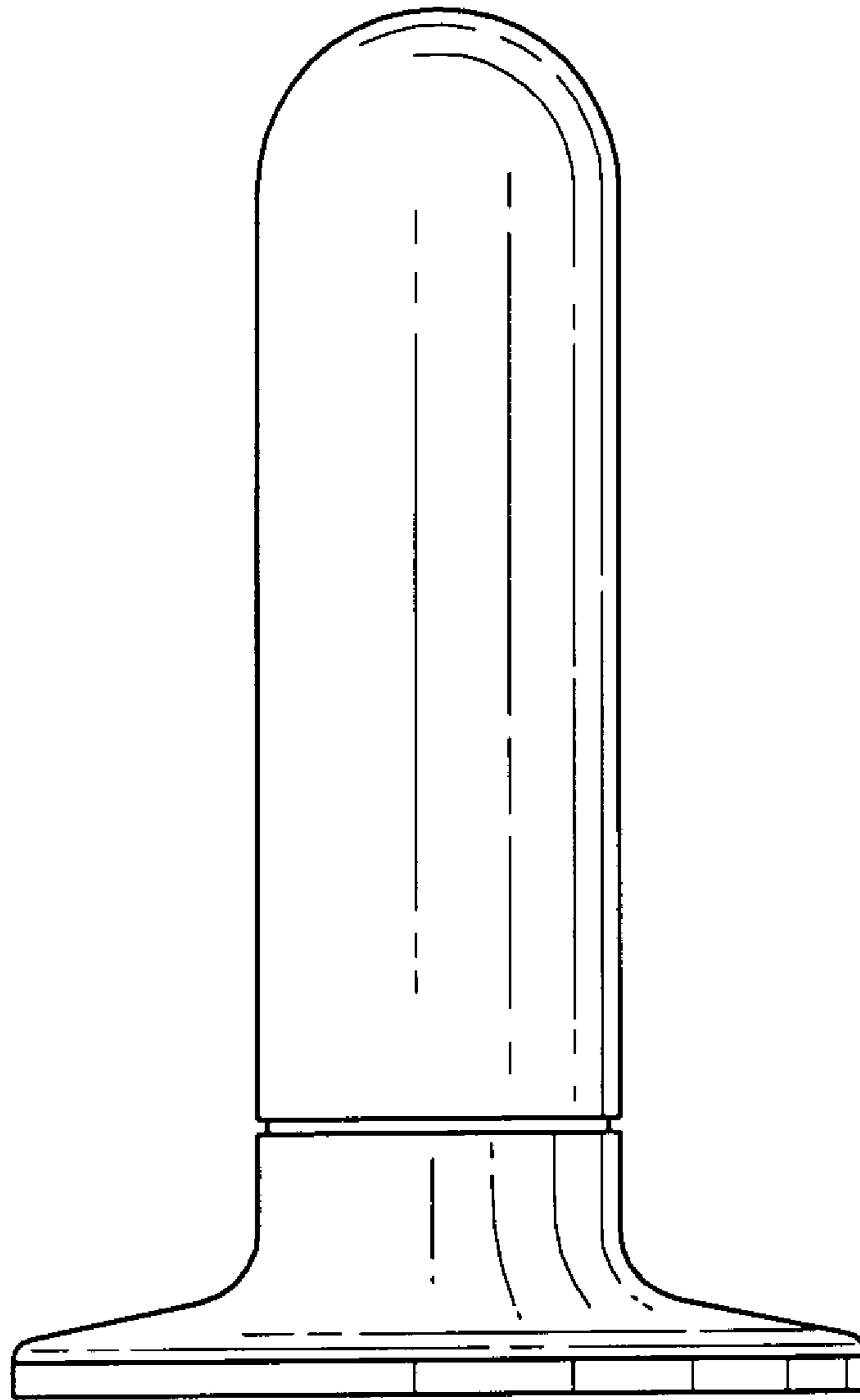


*FIG. 7*



*FIG. 8*





*FIG. 9*

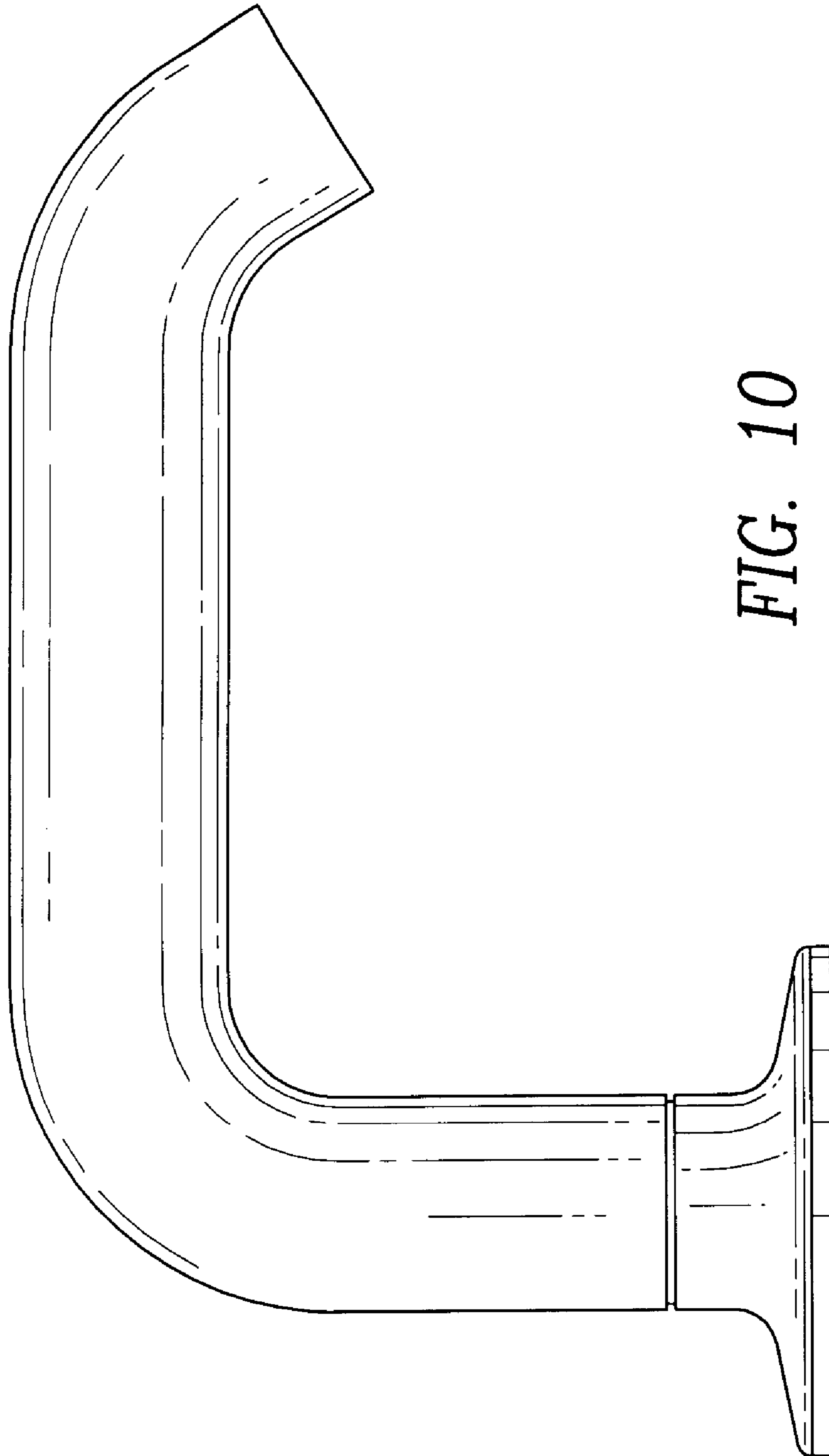
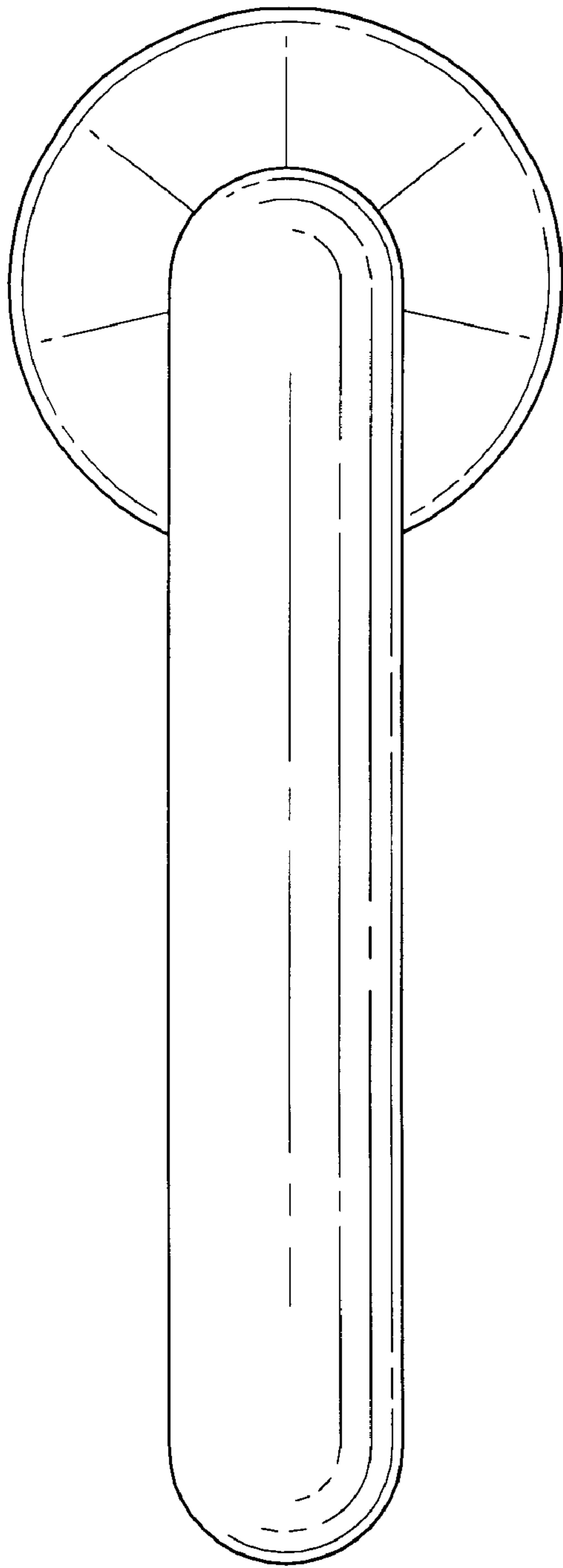
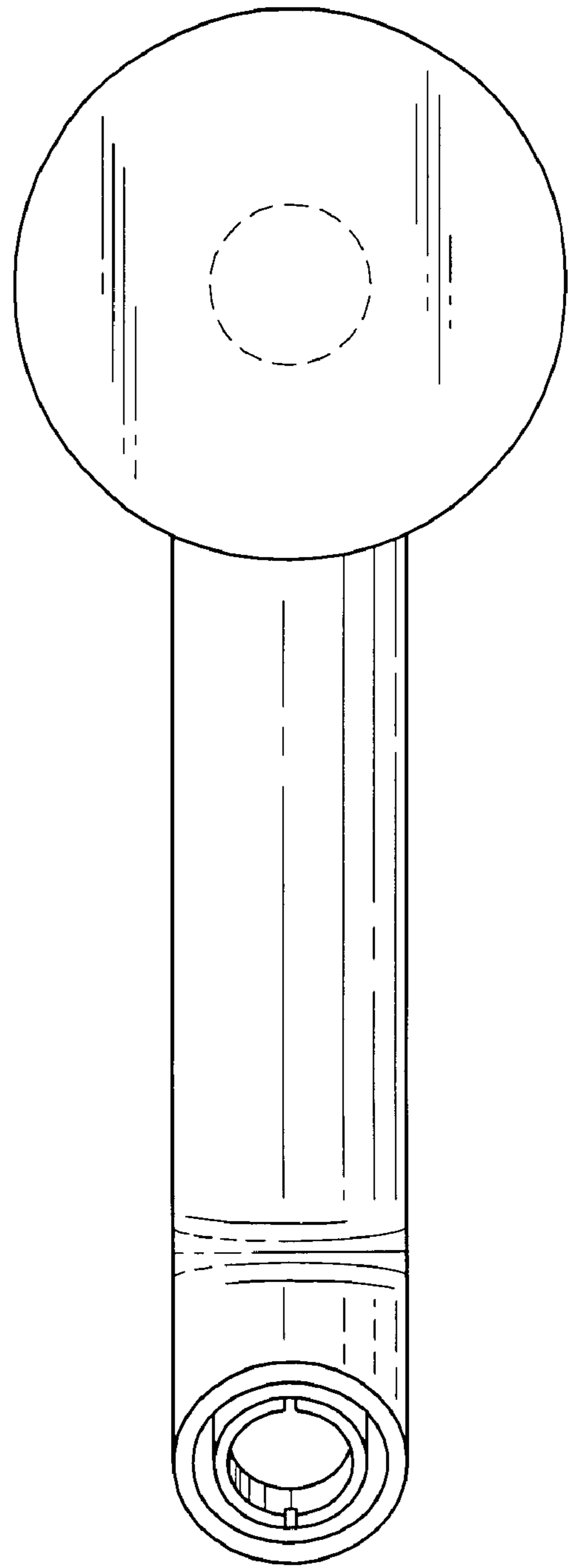


FIG. 10



*FIG. 11*



*FIG. 12*