

US00D524414S

(12) **United States Design Patent**  
**Marcichow et al.**

(10) **Patent No.:** **US D524,414 S**  
(45) **Date of Patent:** **\*\* Jul. 4, 2006**

(54) **FAUCET**

(75) Inventors: **Martin E. Marcichow**, Hoffman Estates, IL (US); **Roger P. Thomas**, Las Vegas, NV (US)

(73) Assignees: **Sloan Valve Company**, Franklin Park, IL (US); **Wynn Design & Development LLC**, Las Vegas, NV (US)

(\*\*) Term: **14 Years**

(21) Appl. No.: **29/221,059**

(22) Filed: **Jan. 11, 2005**

(51) **LOC (8) Cl.** ..... **23-01**

(52) **U.S. Cl.** ..... **D23/238**

(58) **Field of Classification Search** ..... D23/238-257;  
4/675-678; 137/801

See application file for complete search history.

(56) **References Cited**

**U.S. PATENT DOCUMENTS**

D300,942 S \* 5/1989 Paul ..... D23/242  
D311,438 S \* 10/1990 Strignano ..... D23/242

D326,505 S \* 5/1992 Kohler et al. .... D23/255  
D350,183 S \* 8/1994 Joerger ..... D23/242  
D464,406 S \* 10/2002 Gottwald ..... D23/255  
D466,979 S \* 12/2002 Shulz ..... D23/238  
D509,572 S \* 9/2005 Arkay-Leliever ..... D23/255  
D512,133 S \* 11/2005 Kosasih ..... D23/255

\* cited by examiner

*Primary Examiner*—Louis S. Zarfes

*Assistant Examiner*—Gregory Andoll

(74) *Attorney, Agent, or Firm*—Cook, Alex, McFarron, Manzo, Cummings & Mehler, Ltd.

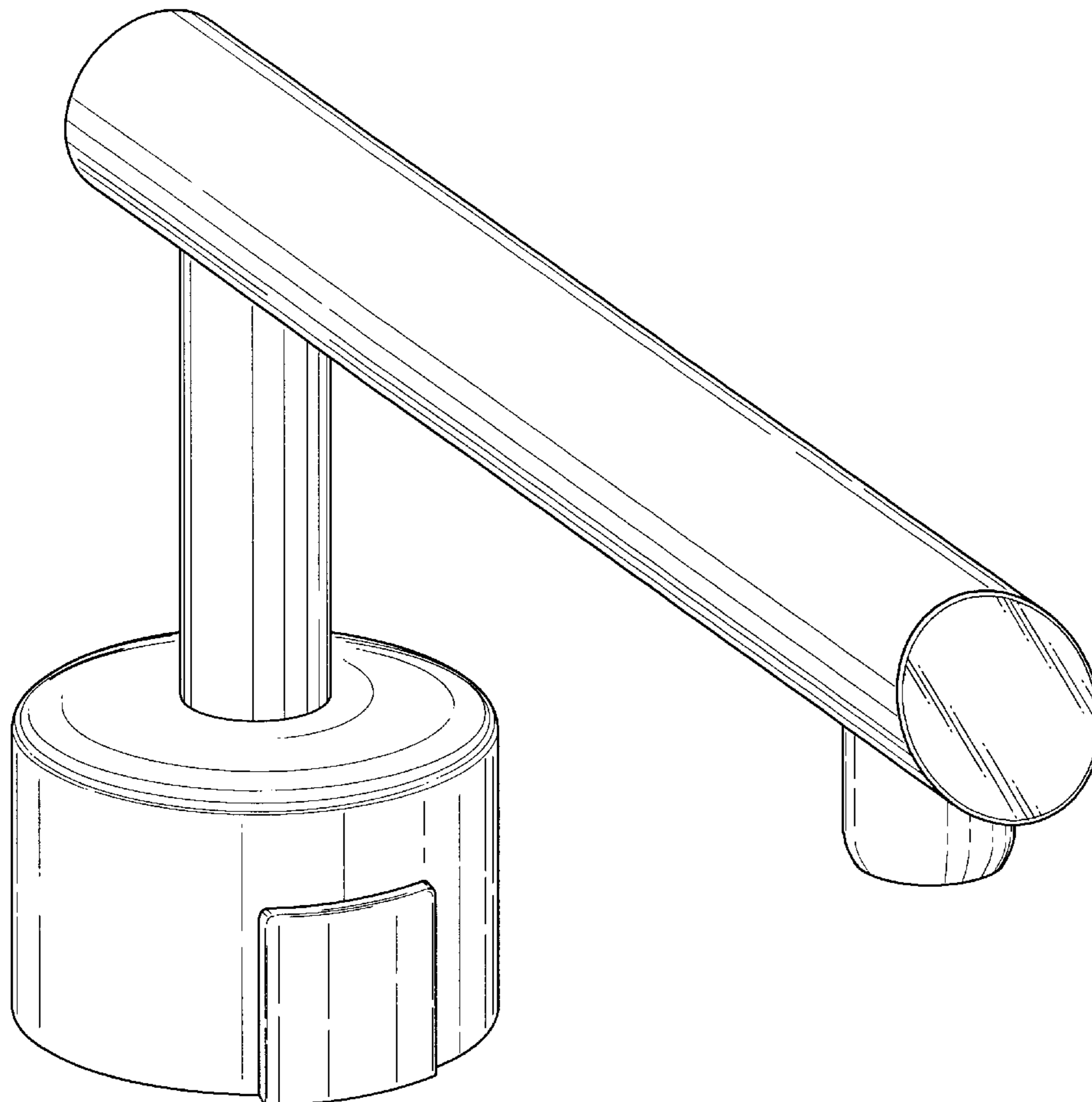
(57) **CLAIM**

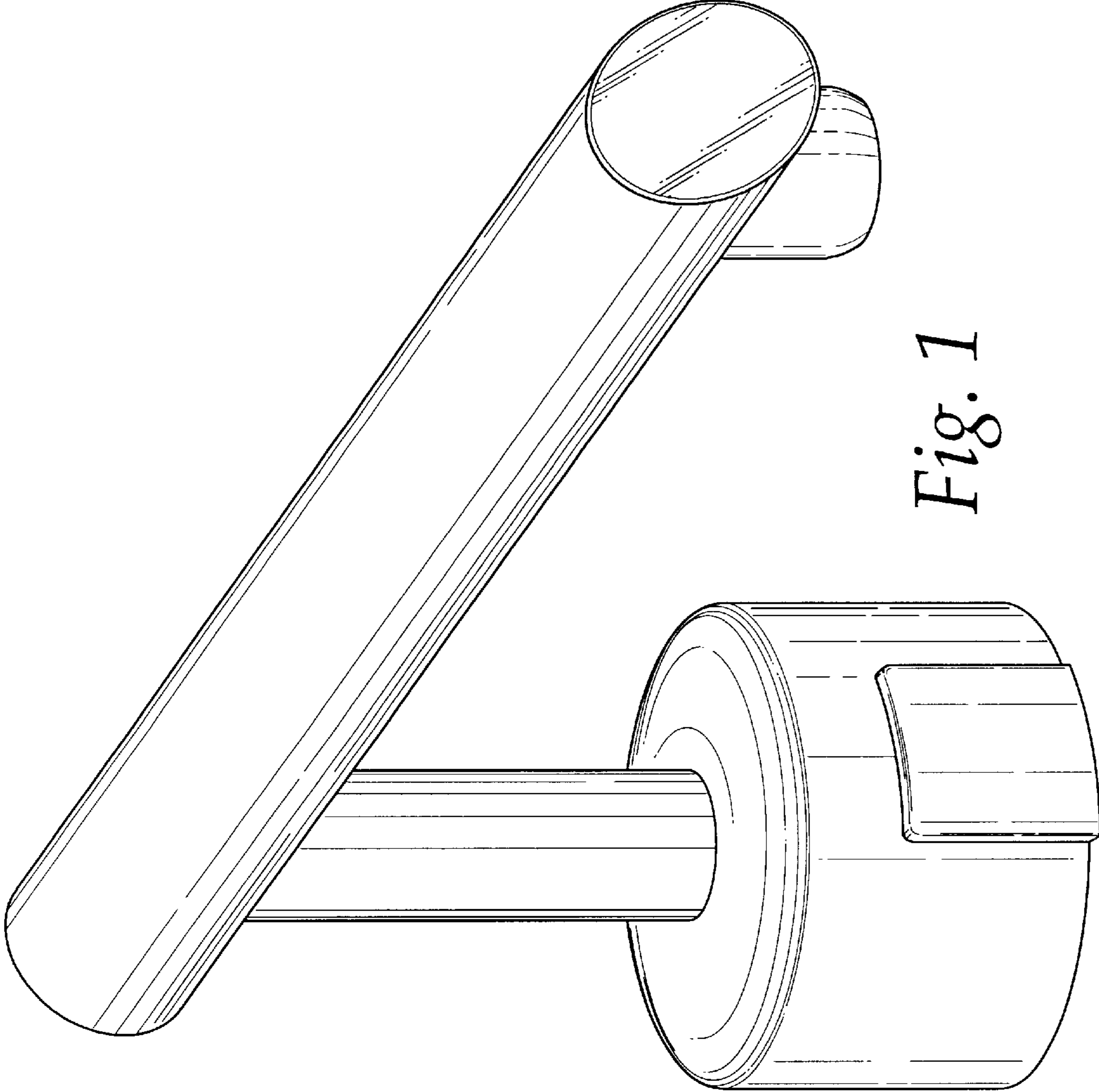
The ornamental design for a faucet, as shown and described.

**DESCRIPTION**

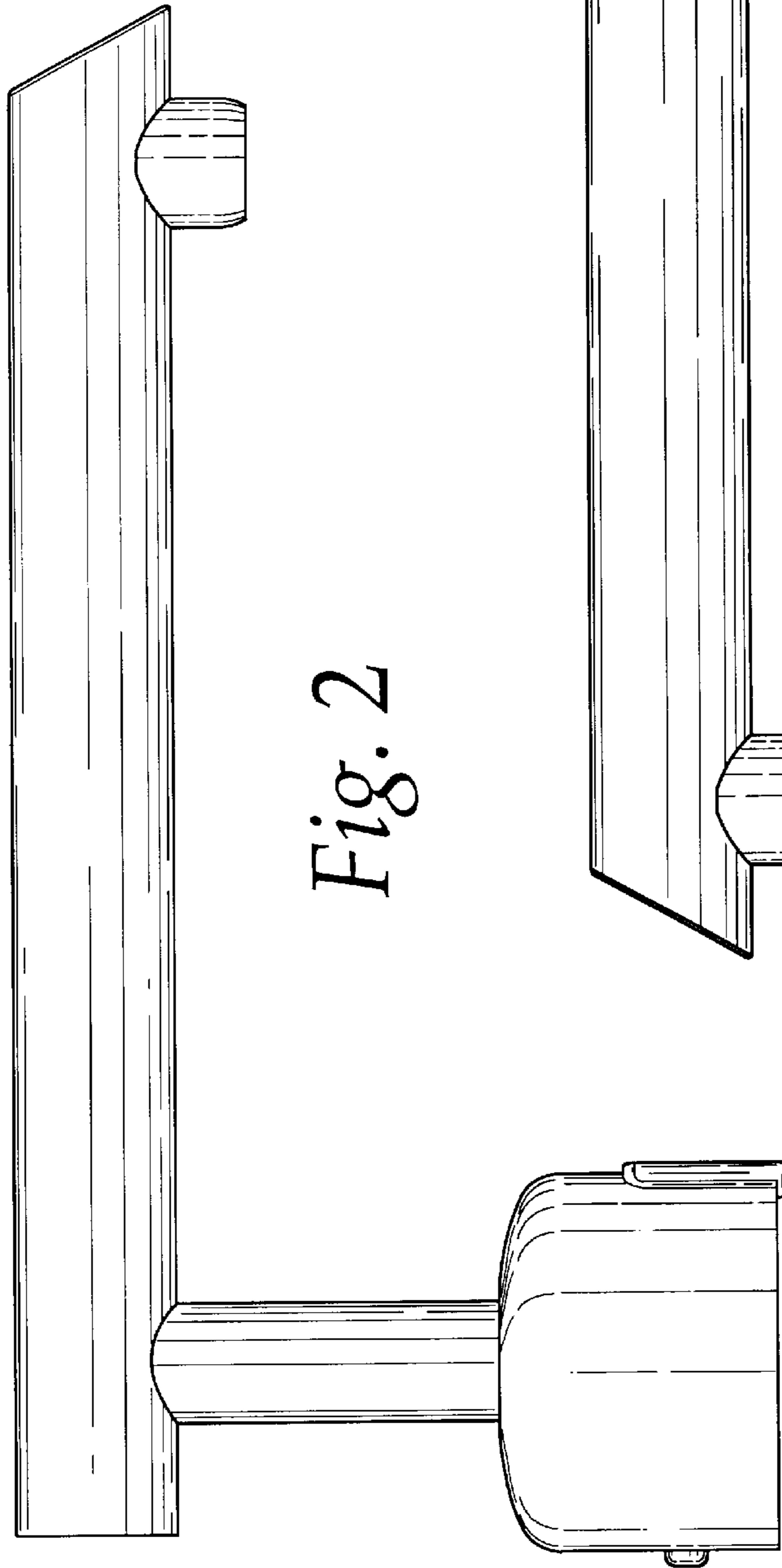
FIG. 1 is a perspective view of our new design for a faucet; FIG. 2 is a left side elevation view thereof; FIG. 3 is a right side elevation view thereof; FIG. 4 is a front elevation view thereof; FIG. 5 is a rear elevation view thereof; FIG. 6 is a bottom plan view thereof; and, FIG. 7 is a top plan view thereof.

**1 Claim, 4 Drawing Sheets**





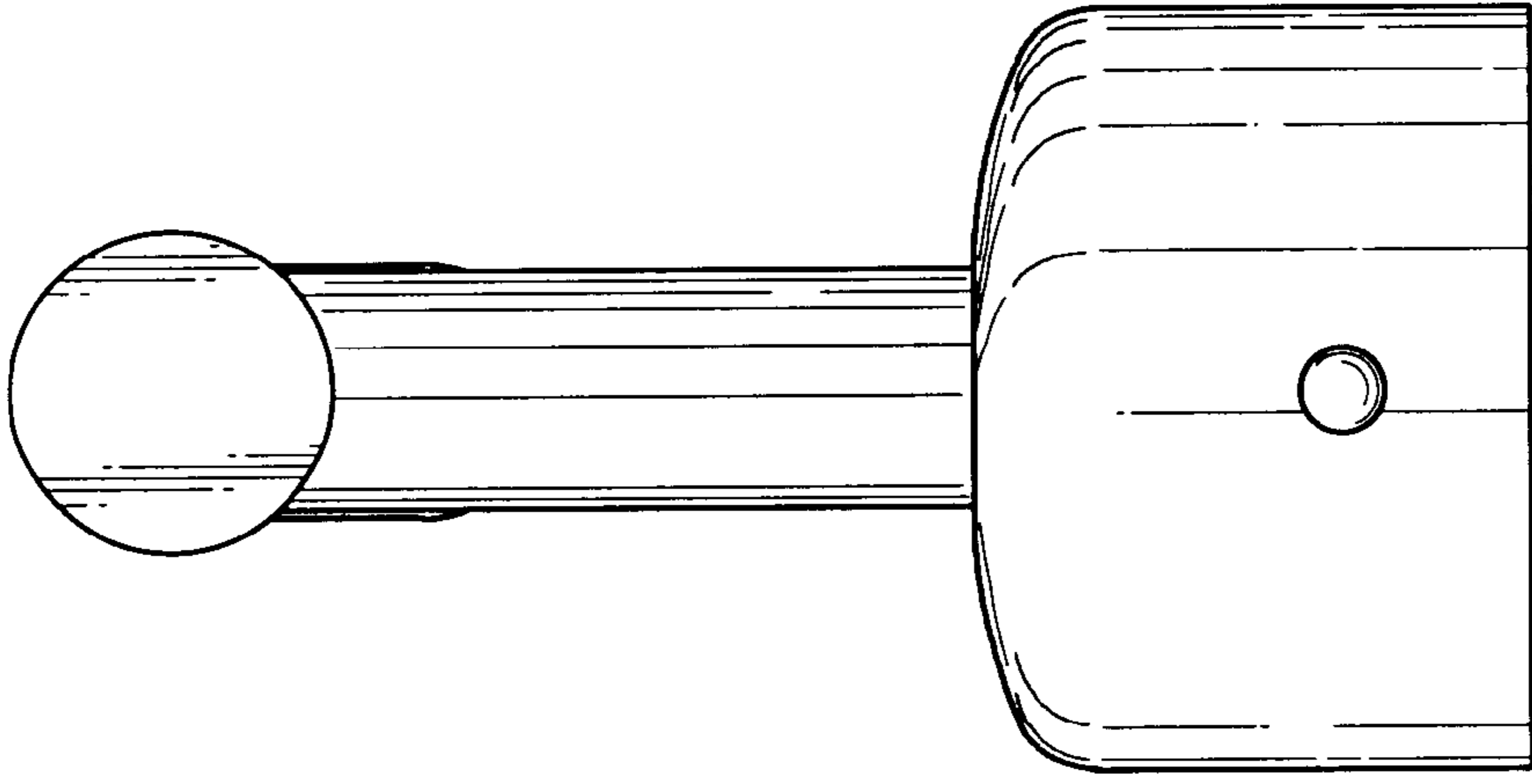
*Fig. 1*



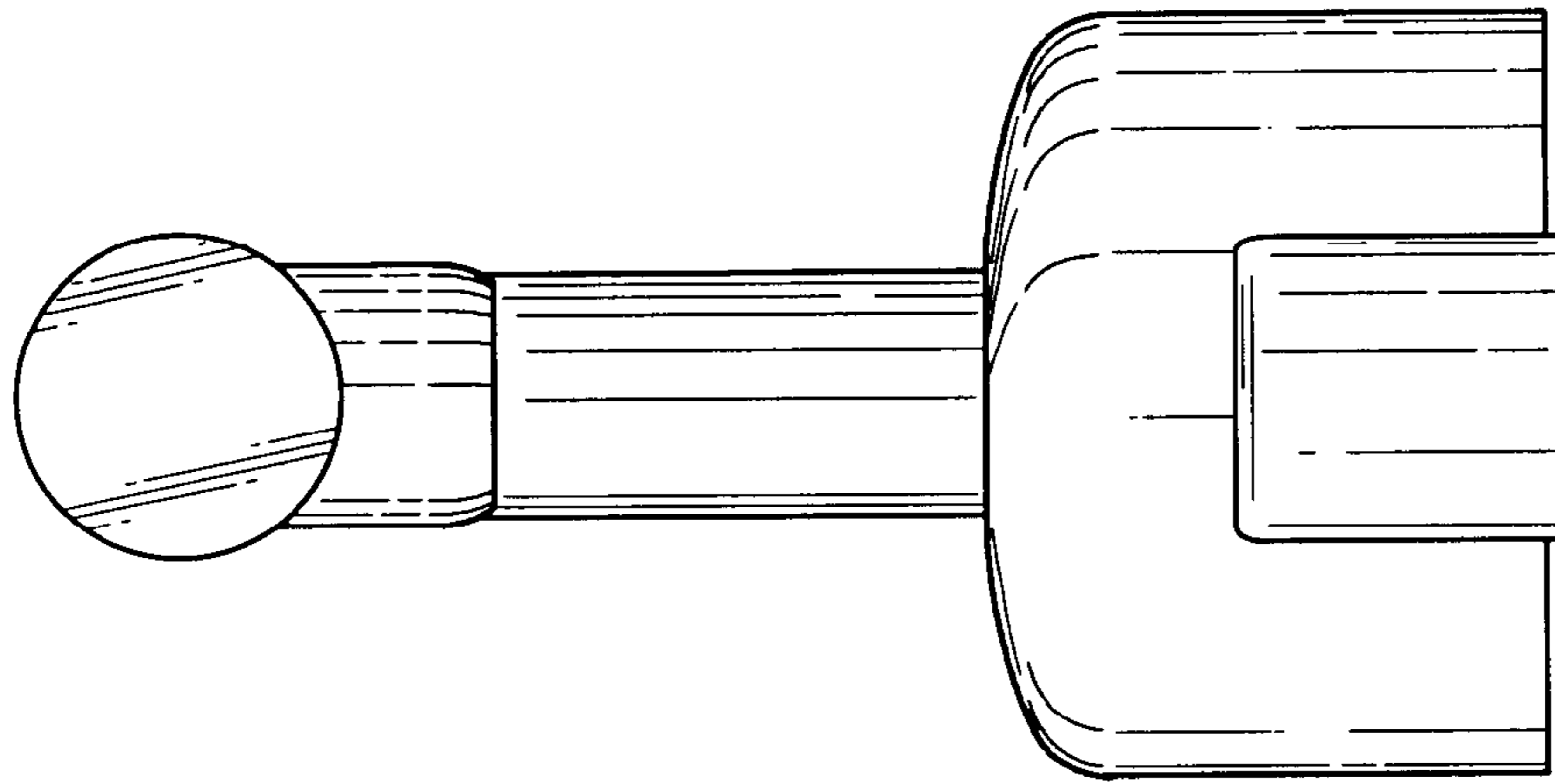
*Fig. 2*



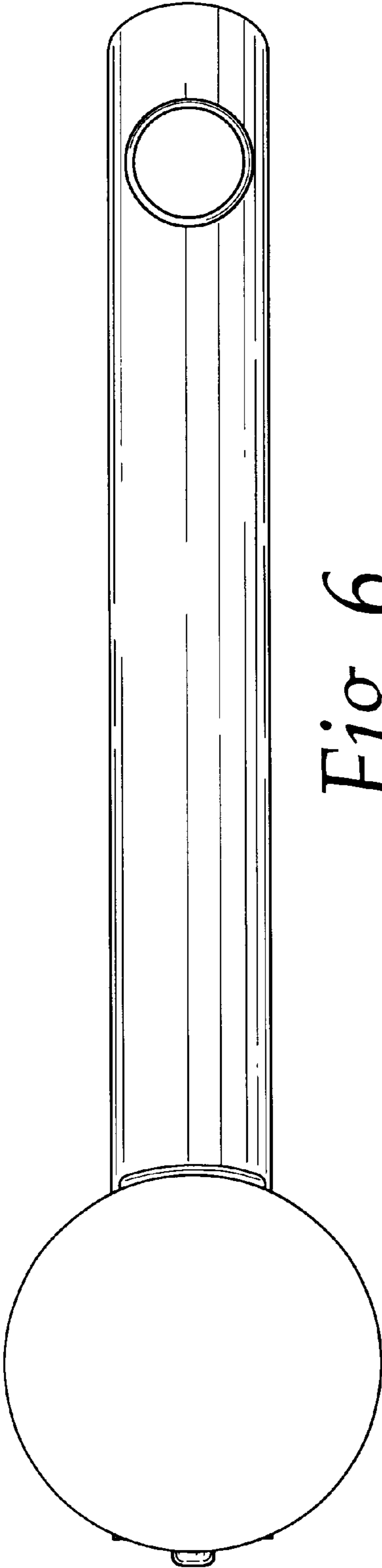
*Fig. 3*



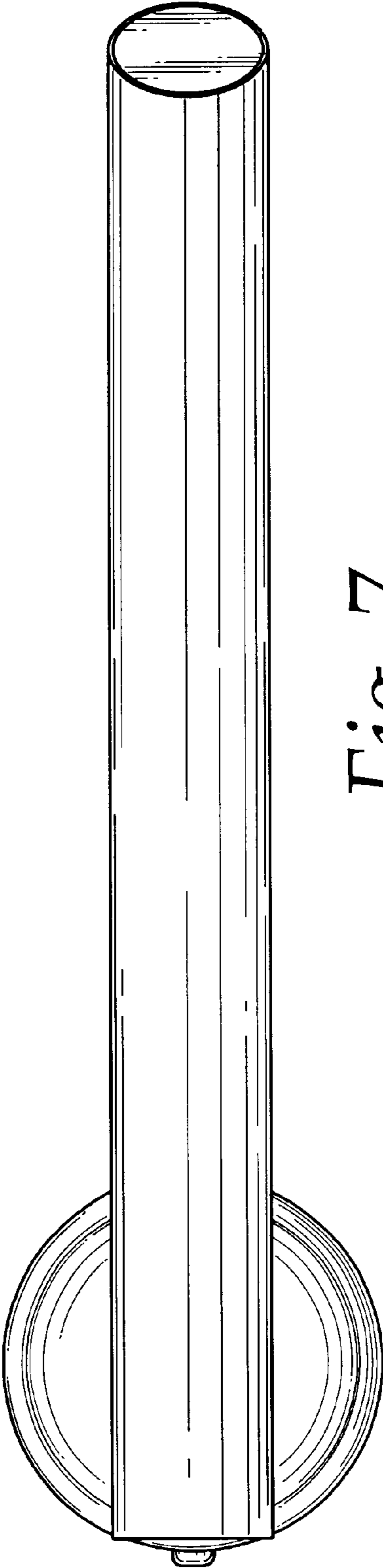
*Fig. 5*



*Fig. 4*



*Fig. 6*



*Fig. 7*