



US00D524412S

(12) **United States Design Patent**
Blomstrom

(10) **Patent No.:** **US D524,412 S**
(45) **Date of Patent:** **** Jul. 4, 2006**

(54) **SHOWERHEAD**

D501,242 S 1/2005 Blomstrom

(75) Inventor: **John K. Blomstrom**, Sheboygan Falls,
WI (US)

(73) Assignee: **Kohler Co.**, Kohler, WI (US)

(**) Term: **14 Years**

(21) Appl. No.: **29/236,102**

(22) Filed: **Aug. 11, 2005**

Related U.S. Application Data

(62) Division of application No. 29/208,602, filed on Jun. 30,
2004, now Pat. No. Des. 512,763.

(51) **LOC (8) Cl.** **23-01**

(52) **U.S. Cl.** **D23/229**

(58) **Field of Classification Search** D23/213,
D23/229, 230; 239/282, 283, 460
See application file for complete search history.

(56) **References Cited**

U.S. PATENT DOCUMENTS

D43,894 S	1/1913	Recker	
D206,515 S	12/1966	Isenberg	
D215,092 S	9/1969	Vicknair et al.	
D328,944 S	8/1992	Robbins	
D400,839 S	* 11/1998	Moore et al. D12/190
D454,621 S	3/2002	Lord	
D468,800 S	1/2003	Tse	
D475,119 S	5/2003	Colligan et al.	
D487,498 S	3/2004	Blomstrom	
D493,208 S	* 7/2004	Lin D23/213
D500,121 S	* 12/2004	Blomstrom D23/213

OTHER PUBLICATIONS

KOHLER catalog p. 2.71; Bath & Powder Room Faucets,
Coordinating Showerheads.

KALLISTA catalog; Hampstead Showerhead and Pressure
Balance Valve, P21431, P22215.

* cited by examiner

Primary Examiner—Robin Webster

(74) *Attorney, Agent, or Firm*—Quarles & Brady LLP

(57) **CLAIM**

The ornamental design for a showerhead, as shown and
described.

DESCRIPTION

In a preferred embodiment, the nature of this product is as
a plumbing fixture in the form of a showerhead primary
useful for washing body parts.

FIG. 1 is a left, top, front perspective view of a showerhead
embodying my new design;

FIG. 2 is a front elevational view thereof;

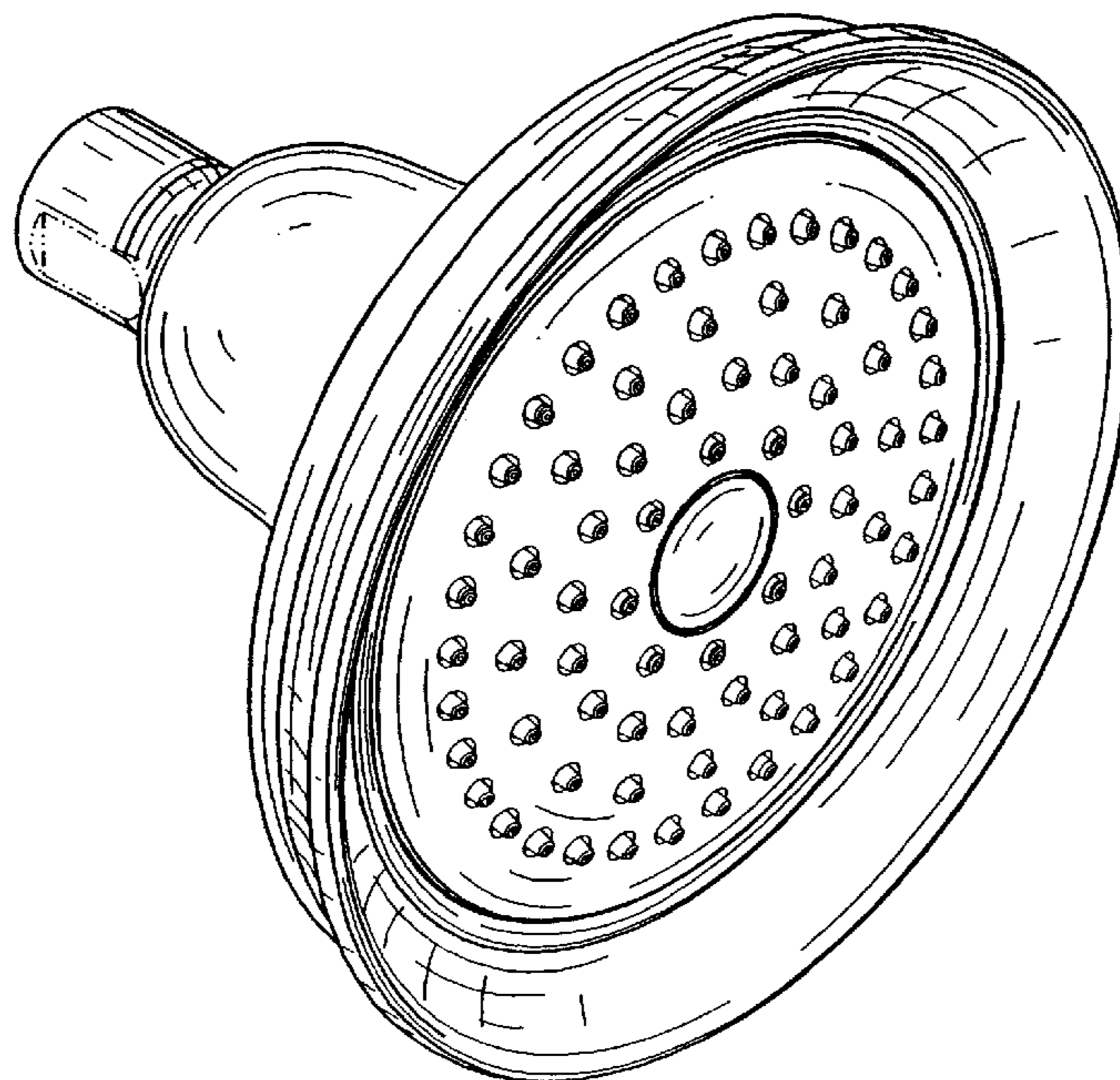
FIG. 3 is a left side elevational view thereof, the right side
view thereof being a mirror image of the left side shown;

FIG. 4 is a top plan view thereof, the bottom view being a
mirror image of the top shown; and,

FIG. 5 is a rear elevational view thereof.

The broken line representations of a flat feature for tight-
ening in FIGS. 1 and 3, and inlet opening in FIG. 5, are for
the purpose of illustration only, and form no part of the
claimed design.

1 Claim, 3 Drawing Sheets



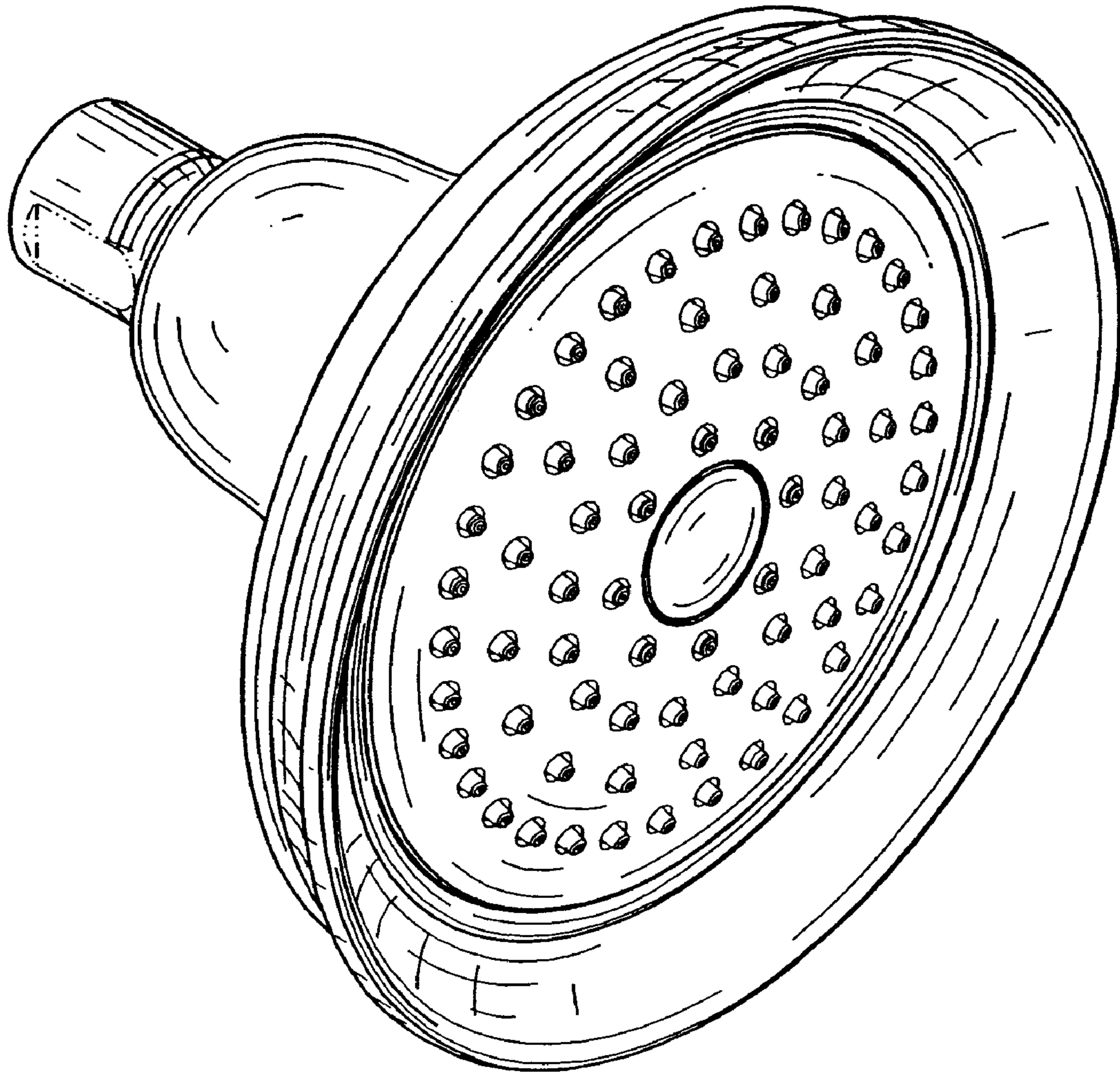


FIG. 1

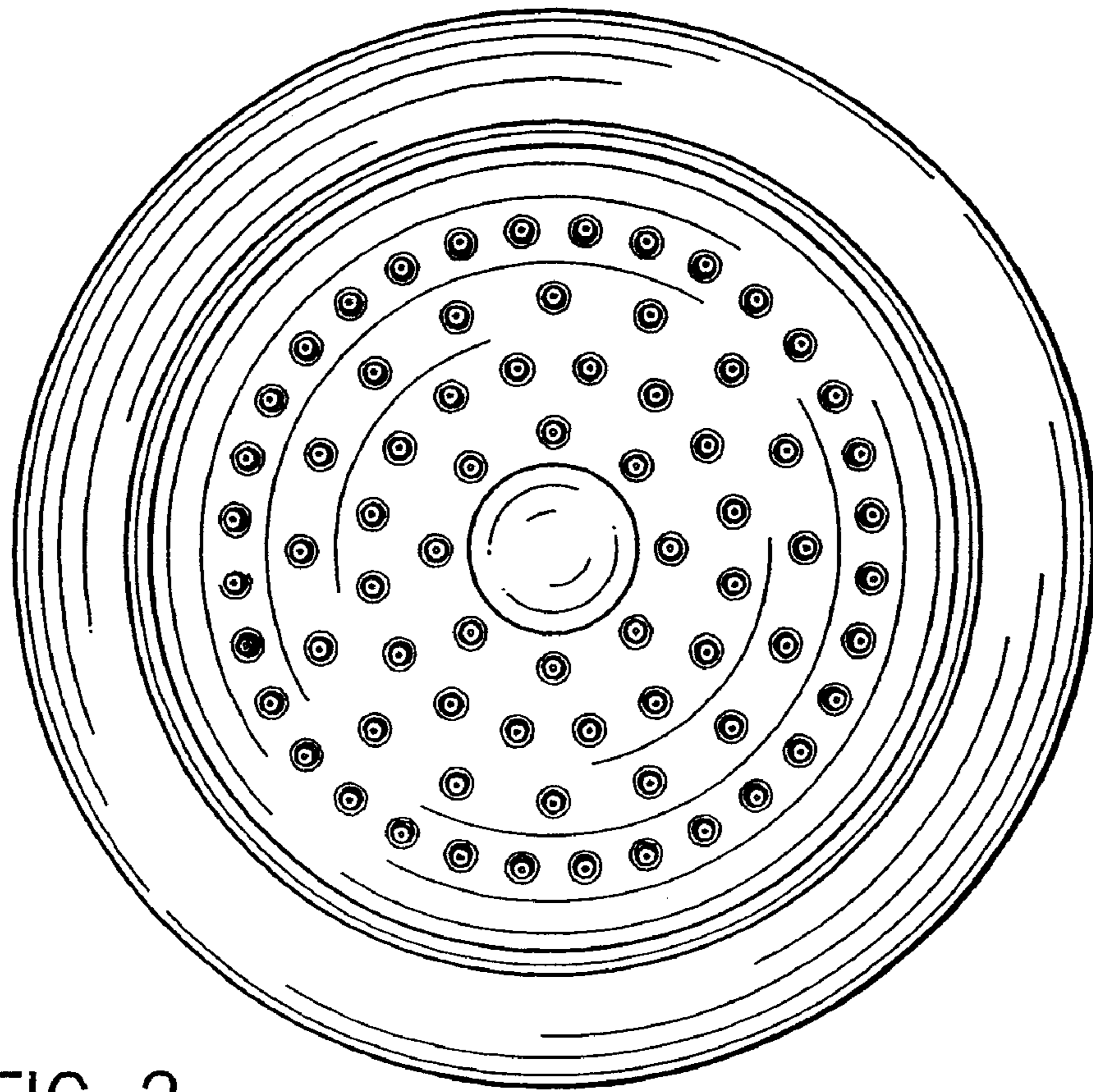


FIG. 2

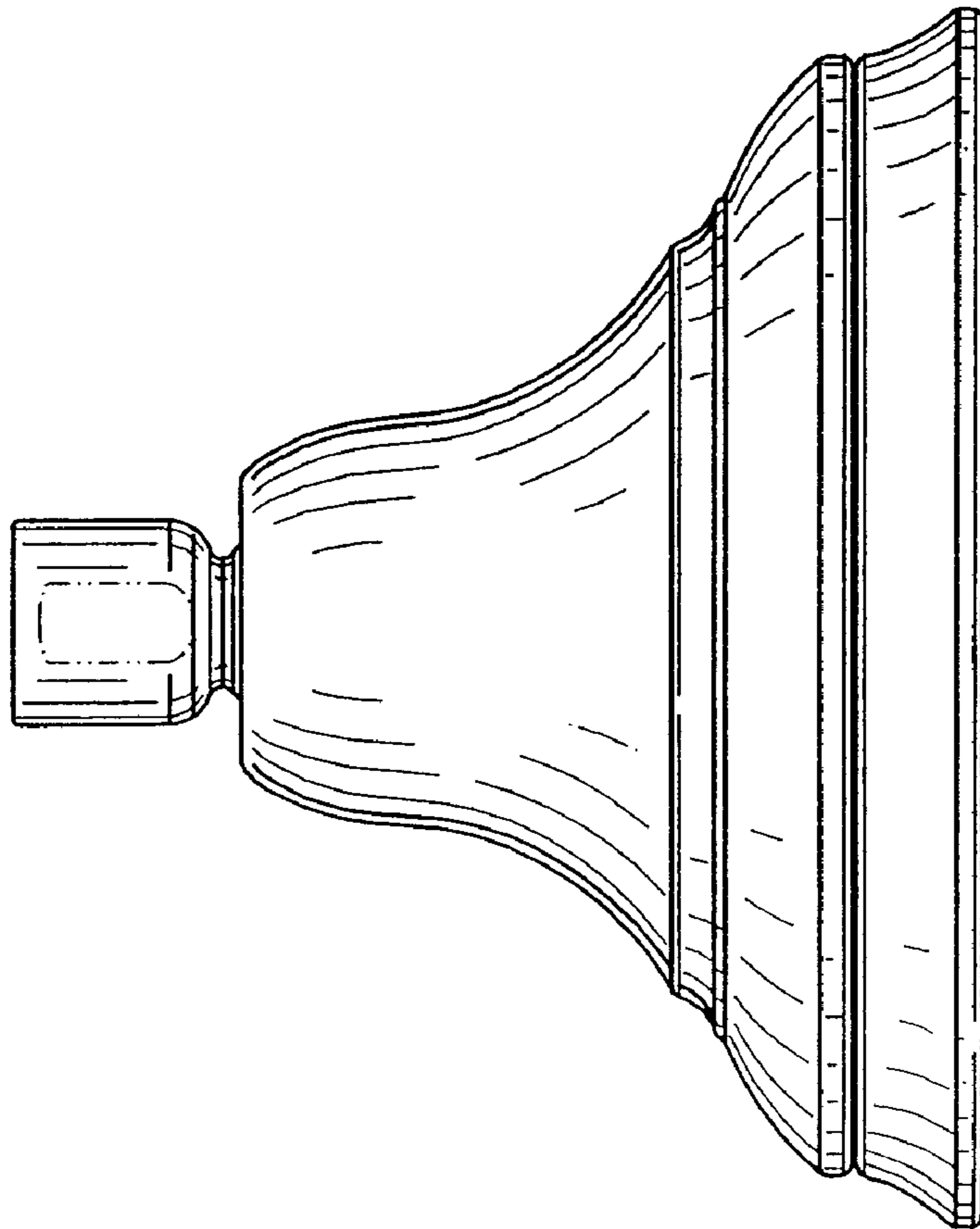


FIG. 3

FIG. 4

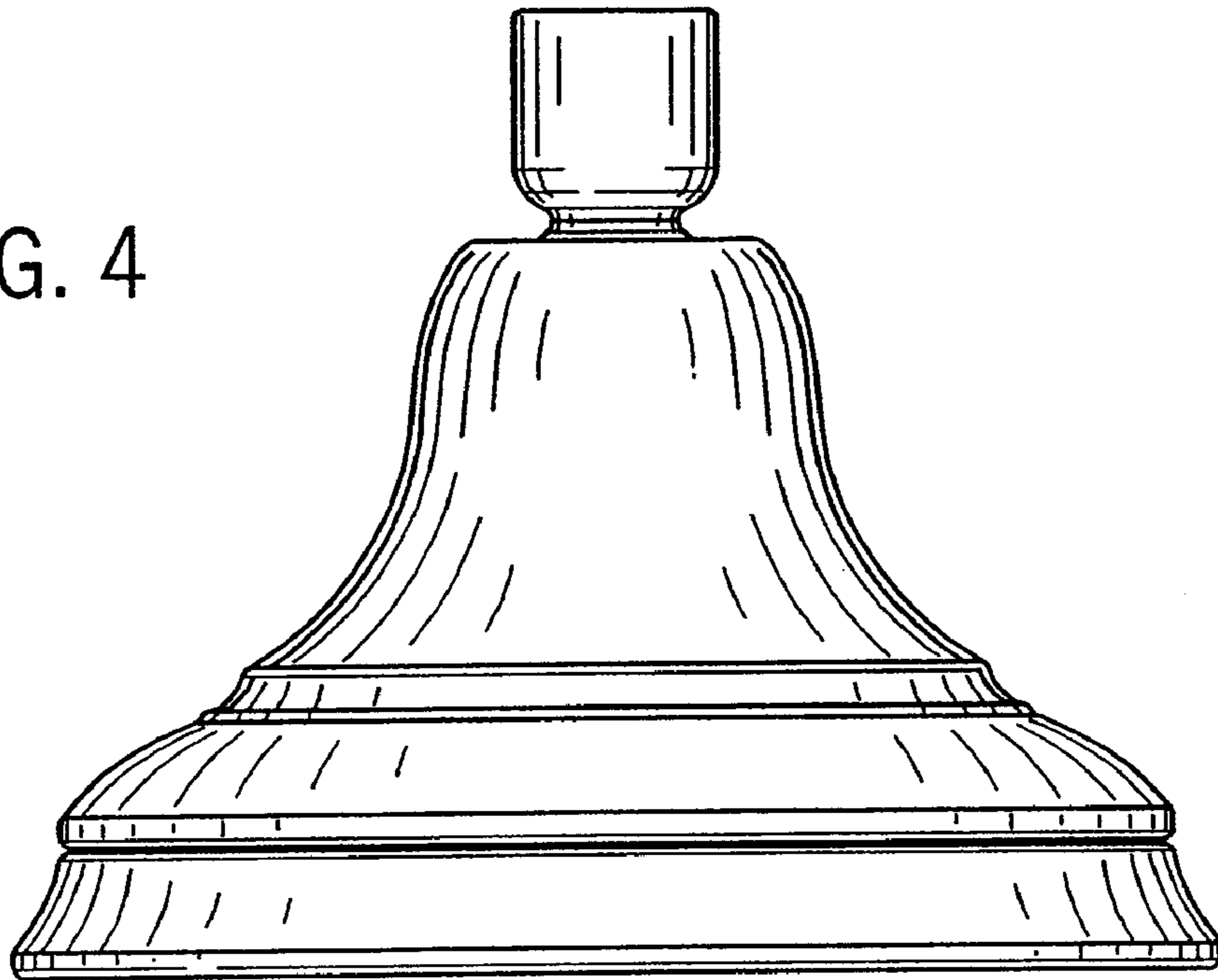


FIG. 5

