



US00D524408S

(12) **United States Design Patent**
Roman

(10) **Patent No.:** **US D524,408 S**

(45) **Date of Patent:** **** Jul. 4, 2006**

(54) **WATERING PISTOL**

(75) Inventor: **Gianfranco Roman**, Pasiano (IT)

(73) Assignee: **Claber S.p.A.**, Fiume Veneto (IT)

(**) Term: **14 Years**

(21) Appl. No.: **29/222,473**

(22) Filed: **Feb. 1, 2005**

(30) **Foreign Application Priority Data**

Aug. 2, 2004 (EM) 000210877

(51) **LOC (8) Cl.** **23-01**

(52) **U.S. Cl.** **D23/223**

(58) **Field of Classification Search** D23/213,
D23/223, 226; 239/525, 526, 527

See application file for complete search history.

(56) **References Cited**

U.S. PATENT DOCUMENTS

D347,463 S * 5/1994 Kingston et al. D23/223

D347,464 S * 5/1994 Kingston et al. D23/223

D350,810 S * 9/1994 Chih D23/223

5,806,770 A * 9/1998 Wang 239/391

6,454,187 B1 * 9/2002 Wang 239/526

* cited by examiner

Primary Examiner—Robin Webster

(74) *Attorney, Agent, or Firm*—Jacobson Holman PLLC

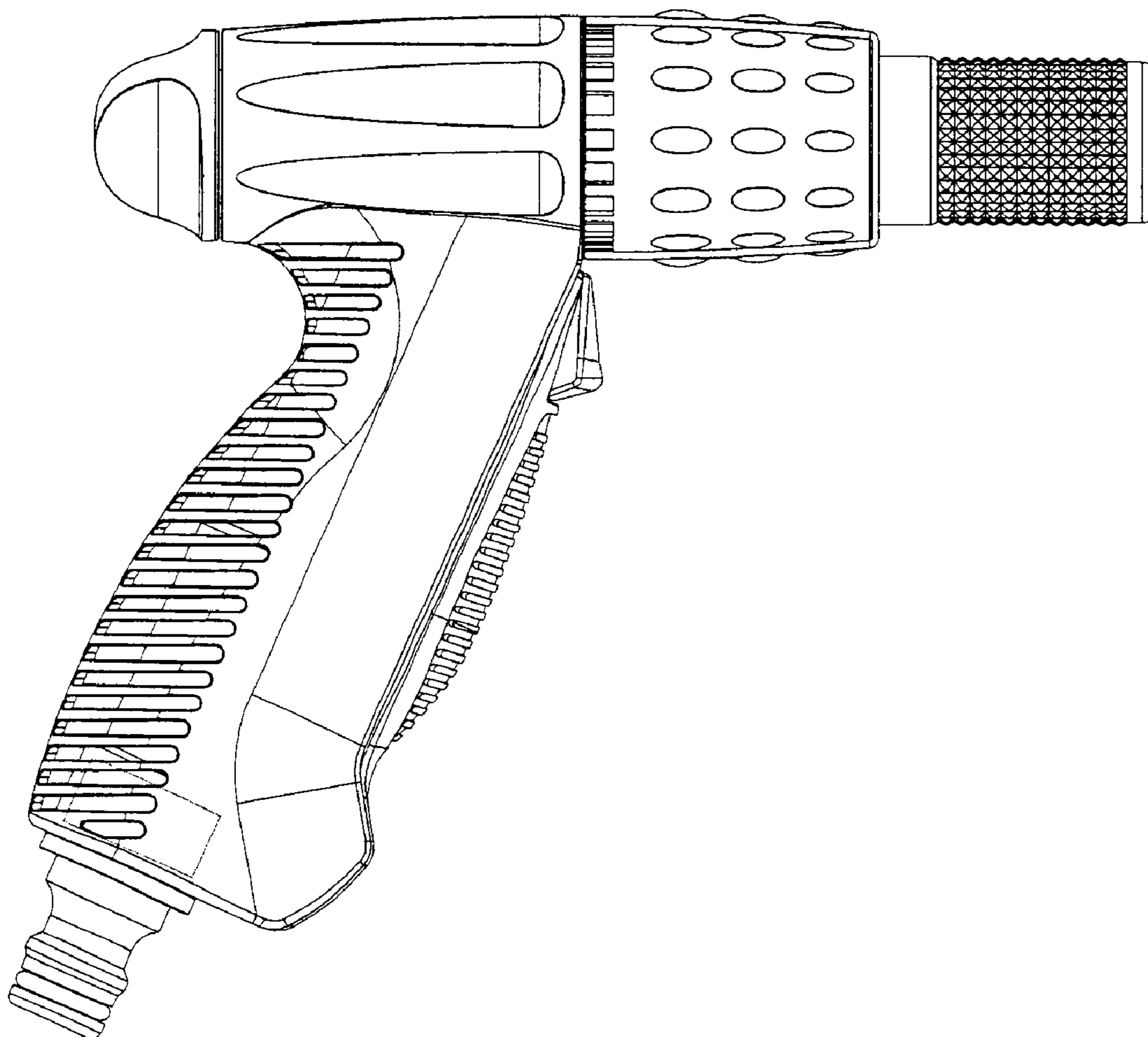
(57) **CLAIM**

The ornamental Design for “watering pistol,” as shown and described.

DESCRIPTION

FIG. 1 shows a left-hand lateral view of the watering pistol; FIG. 2 shows a bottom view of the watering pistol; FIG. 3 shows a top view of the watering pistol; FIG. 4 shows a right-hand lateral view of the watering pistol; FIG. 5 shows a front view of the watering pistol; and, FIG. 6 shows a rear view of the watering pistol.

1 Claim, 2 Drawing Sheets



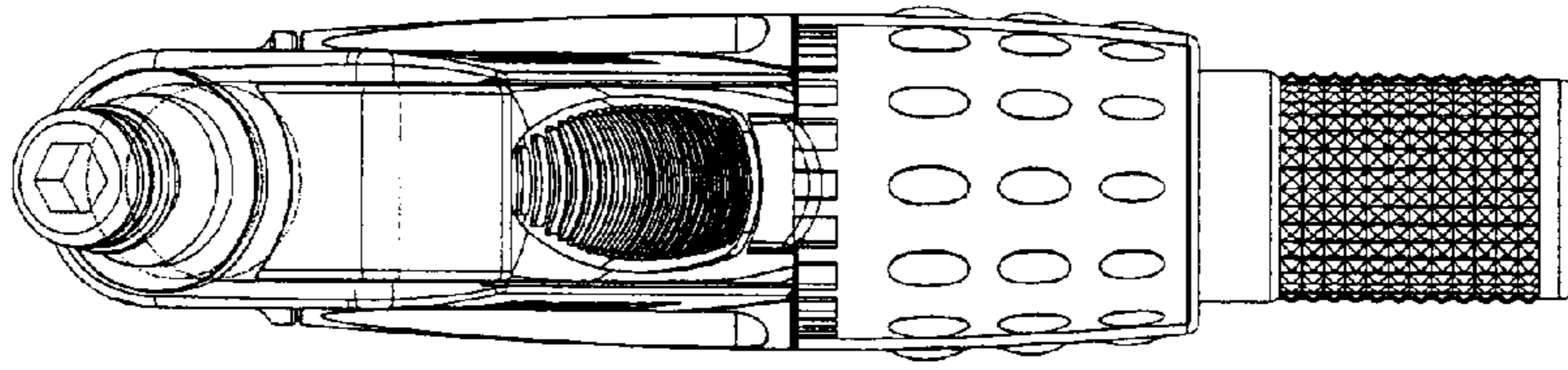


Fig. 2

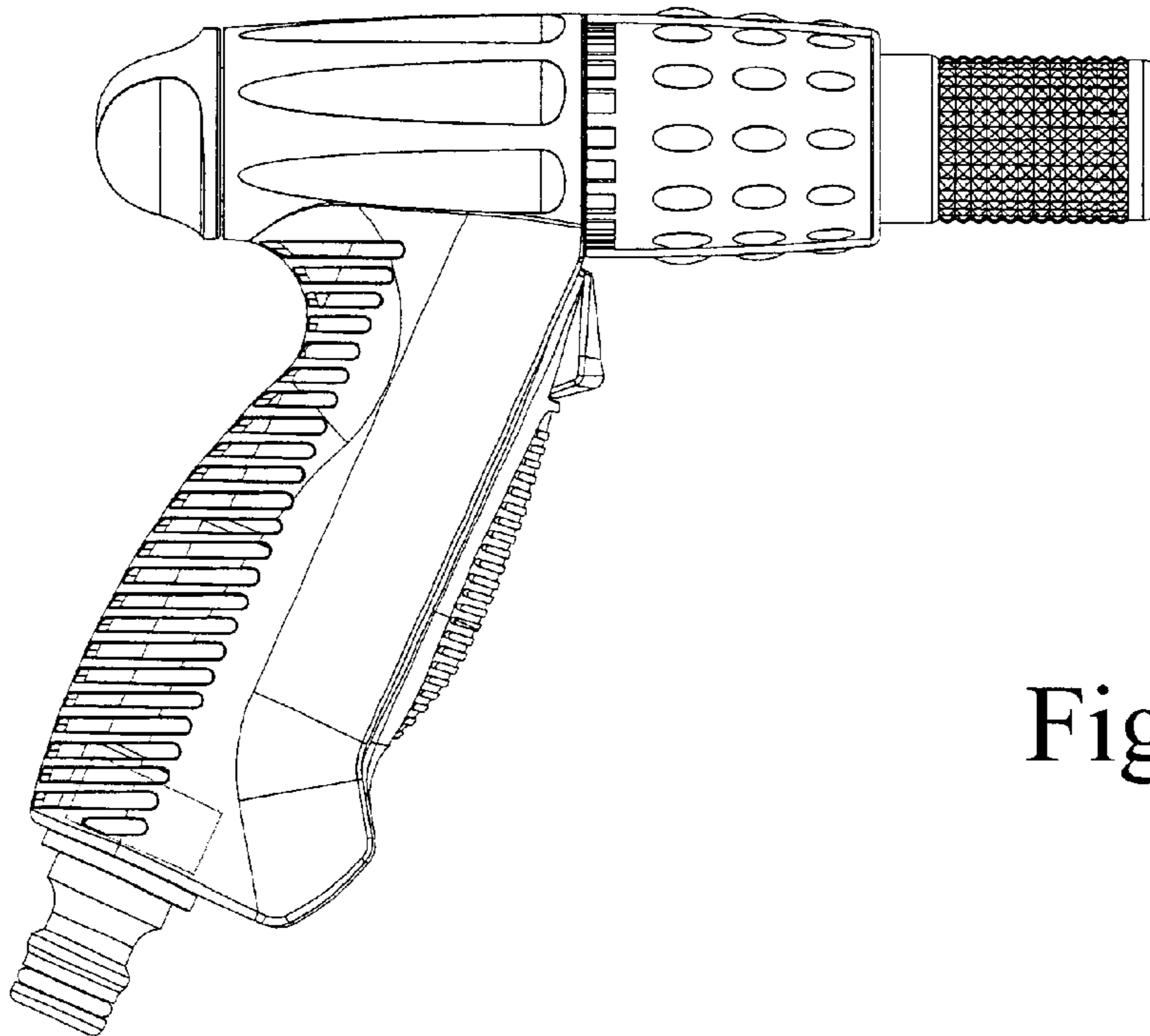


Fig. 1

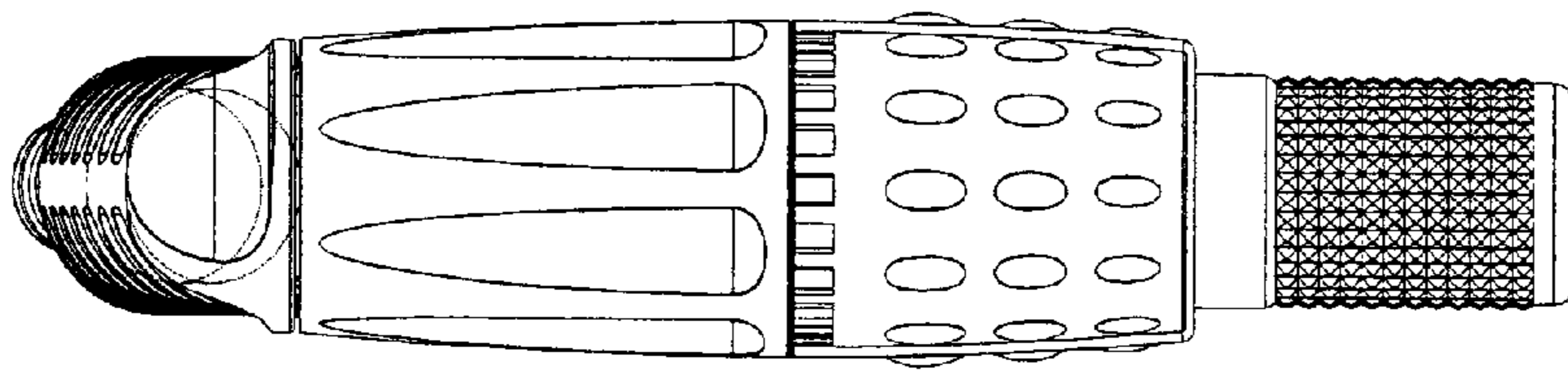


Fig. 3

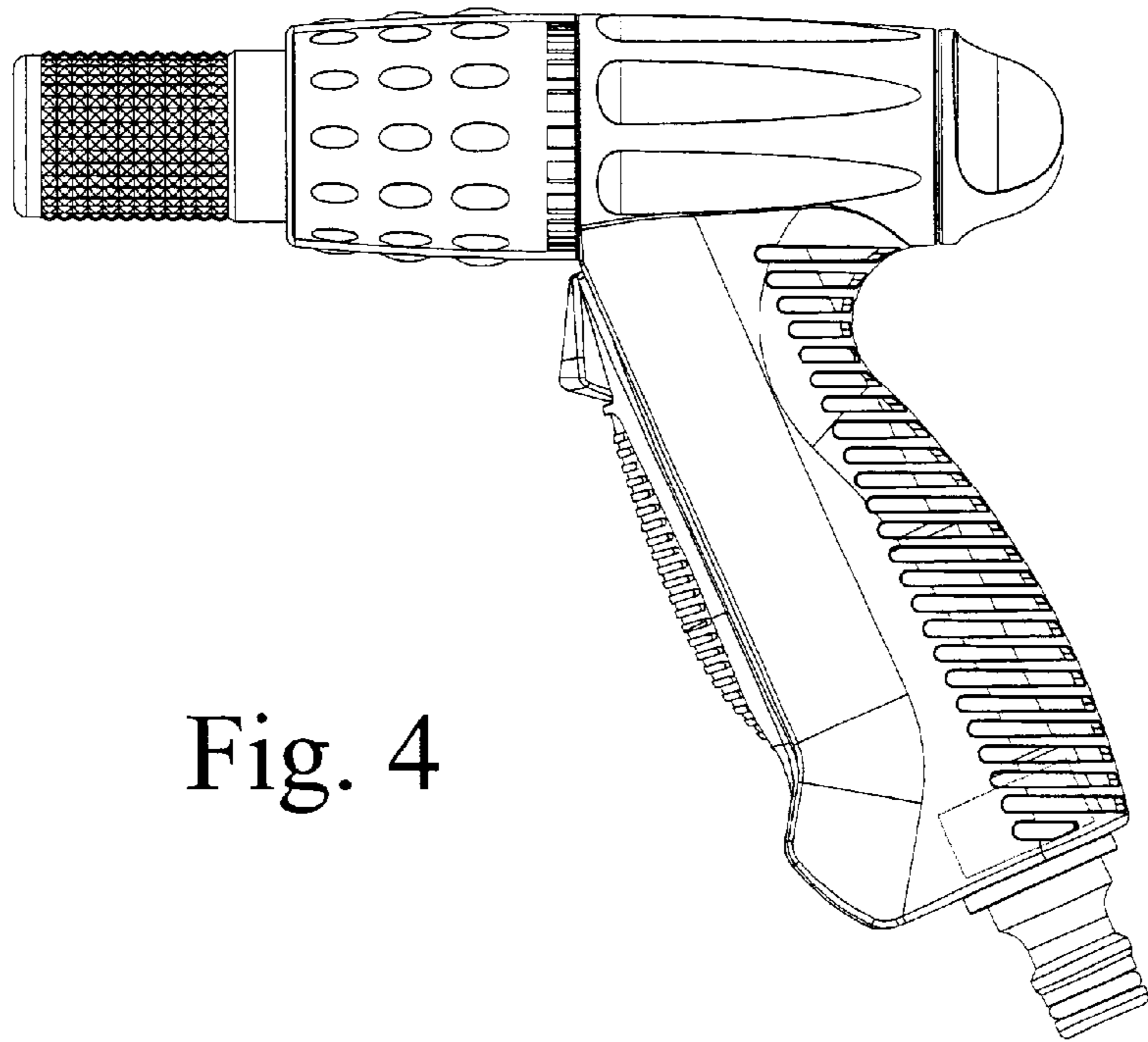


Fig. 4

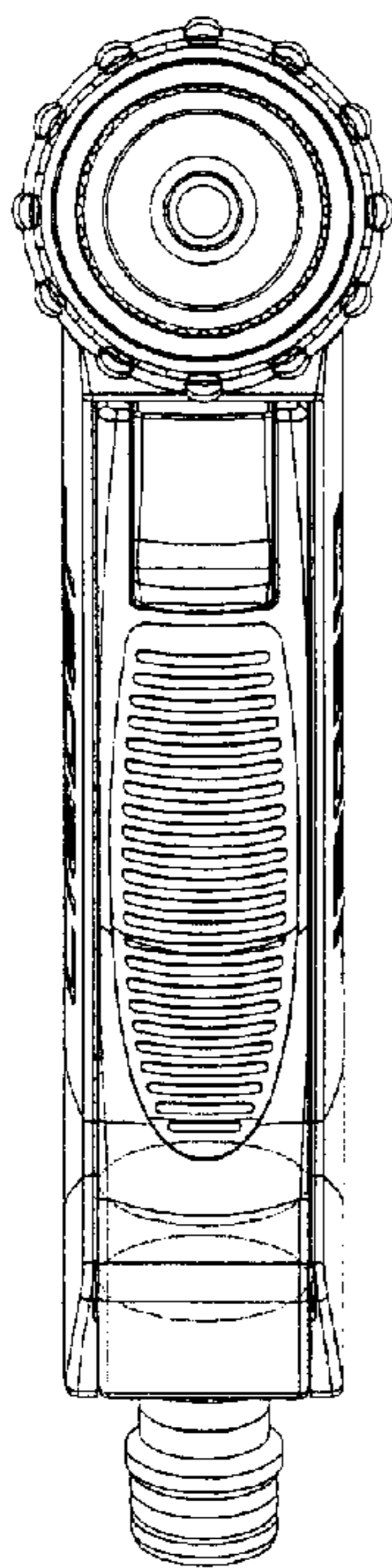


Fig. 5

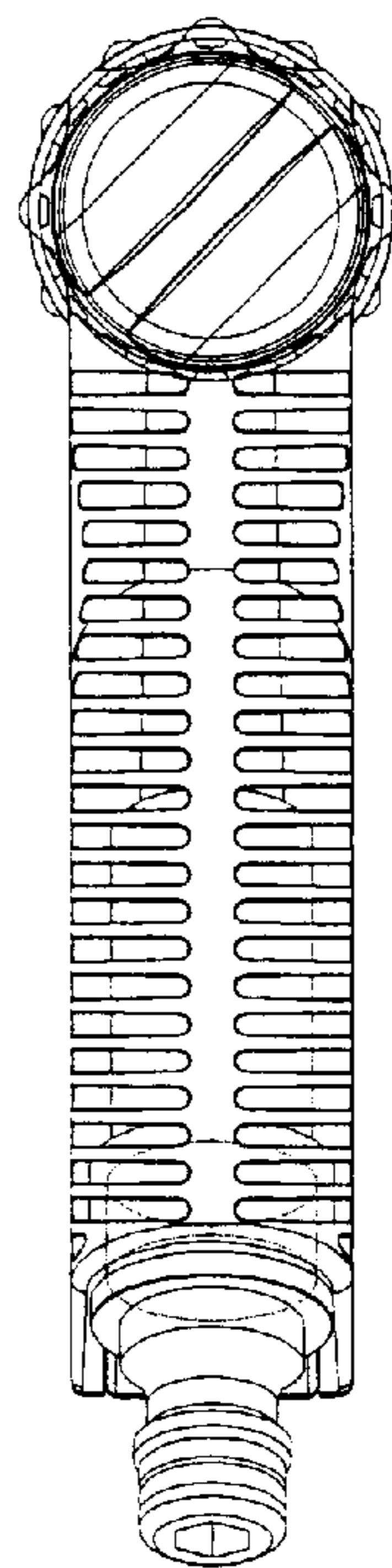


Fig. 6