



US00D524407S

(12) **United States Design Patent**
Crowley

(10) **Patent No.:** **US D524,407 S**

(45) **Date of Patent:** **** Jul. 4, 2006**

- (54) **UNDER-EAVE FIRE SUPPRESSION SPRINKLER BANK**
- (76) Inventor: **Joseph T. Crowley**, 2294A Batavia, Orange, CA (US) 92865
- (**) Term: **14 Years**
- (21) Appl. No.: **29/226,037**
- (22) Filed: **Mar. 23, 2005**
- (51) **LOC (8) Cl.** **23-01**
- (52) **U.S. Cl.** **D23/214**
- (58) **Field of Classification Search** D23/214, D23/215, 217, 218; 239/201–203, 208, 289; 169/56, 46–7, 16
See application file for complete search history.

4,453,155 A	6/1984	Cooper
4,824,020 A	4/1989	Harward
4,836,290 A	6/1989	Le Lande, Jr.
4,936,388 A	6/1990	Le Lande, Jr.
4,991,657 A	2/1991	LeLande, Jr.
5,083,618 A	1/1992	Hayes
5,125,458 A	6/1992	Berman
5,165,482 A	11/1992	Smagac et al.
5,263,543 A	11/1993	Nigro
D353,873 S	* 12/1994	Schoeneman D23/213
5,441,202 A	* 8/1995	Wintering et al. 239/267
5,638,843 A	* 6/1997	Strickland 134/123
5,692,571 A	12/1997	Jackson
5,732,511 A	3/1998	Scott
6,079,501 A	6/2000	Schmidt
6,109,361 A	8/2000	Henderson
6,167,971 B1	1/2001	Van Lingen
6,360,968 B1	3/2002	Orrange et al.
6,450,264 B1	9/2002	Christian
6,523,616 B1	2/2003	Wallace
6,629,569 B1	10/2003	Adams
6,679,337 B1	1/2004	Perry et al.

(56) **References Cited**
U.S. PATENT DOCUMENTS

1,489 A	10/1840	Lowell
128,534 A	7/1872	Carl
647,875 A	4/1900	Piepenbrink
964,464 A	7/1910	Crawford-Frost
1,208,349 A	12/1916	Moody
1,285,236 A	11/1918	Kohler
1,507,350 A	9/1924	Franzen
1,620,142 A	3/1927	Thompson
1,644,603 A	10/1927	O'Neill
1,831,880 A	11/1931	Pierce
1,837,322 A	12/1931	Hamilton
1,893,210 A	1/1933	Rider
1,936,732 A	11/1933	Renard
2,337,710 A	12/1943	Cowan
2,757,965 A	8/1956	Andrews
2,865,674 A	12/1958	Jelmeland
3,179,181 A	4/1965	Banzato
3,576,212 A	4/1971	Siler
3,583,490 A	6/1971	McFadden
3,698,482 A	* 10/1972	Livingston 169/16
3,831,681 A	* 8/1974	Livingston 169/16
4,091,876 A	5/1978	Valdatta
4,175,703 A	11/1979	Valiant
4,330,040 A	5/1982	Ence et al.
4,372,493 A	2/1983	Smith
4,428,434 A	1/1984	Gelaude

* cited by examiner

Primary Examiner—Robin Webster
(74) *Attorney, Agent, or Firm*—O'Melveny & Myers LLP

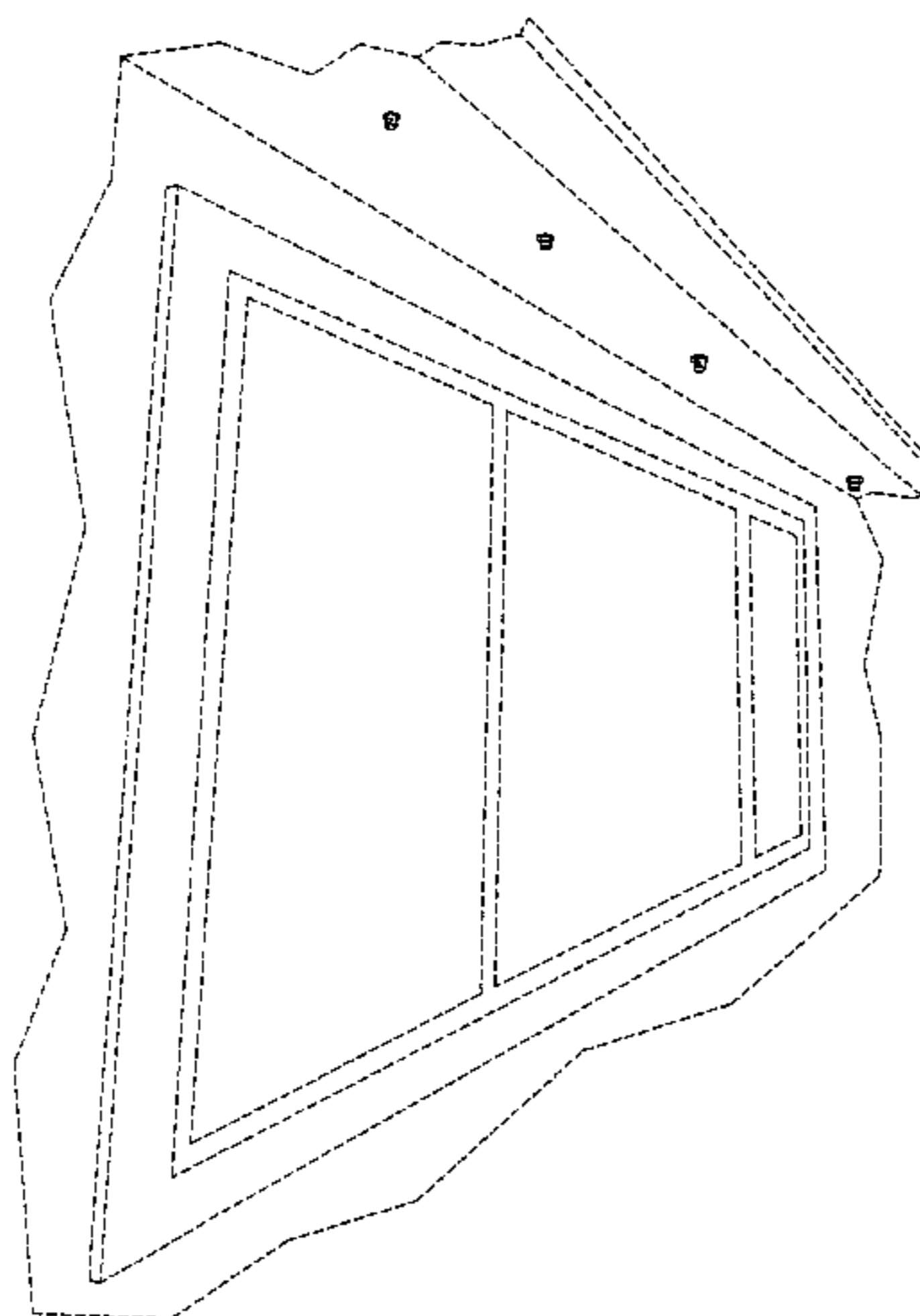
(57) **CLAIM**

The ornamental design for an under-eave fire suppression sprinkler bank, as shown and described.

DESCRIPTION

FIG. 1 is a perspective view of the under-eave fire suppression sprinkler bank, in a closed-eave configuration. The surrounding eave and wall areas form no part of the design. FIG. 2 is a perspective view of the under-eave fire suppression sprinkler bank, in an open-eave configuration. The surrounding eave and wall areas form no part of the design. FIG. 3 is a detail perspective view of the under-eave fire suppression sprinkler bank; and, FIG. 4 is a perspective view of the under-eave fire suppression sprinkler bank, in a closed-eave configuration, from a viewpoint opposite that of FIG. 1. The broken line showing is for illustrative purposes only and forms no part of the claimed design.

1 Claim, 3 Drawing Sheets



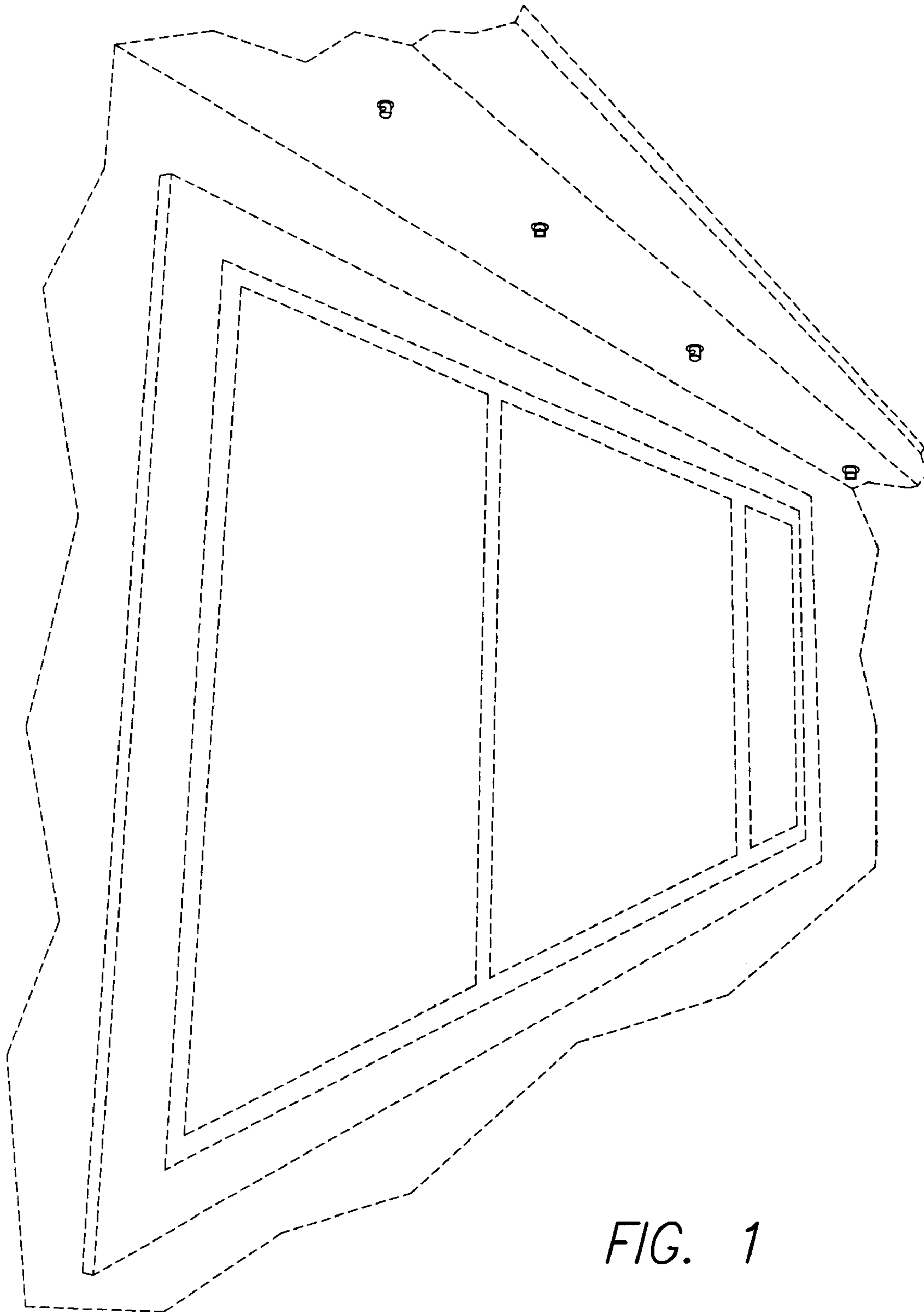


FIG. 1

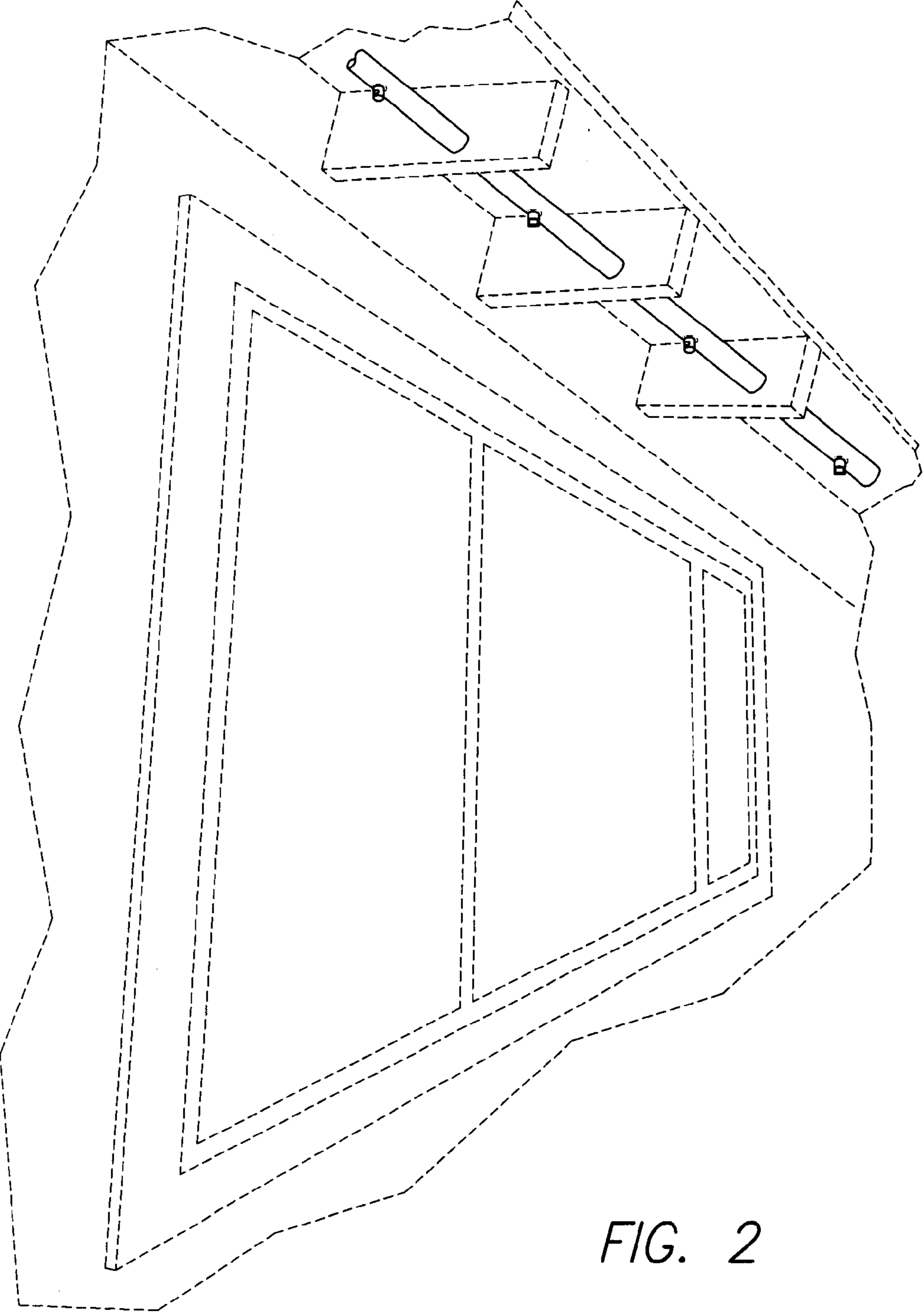


FIG. 2

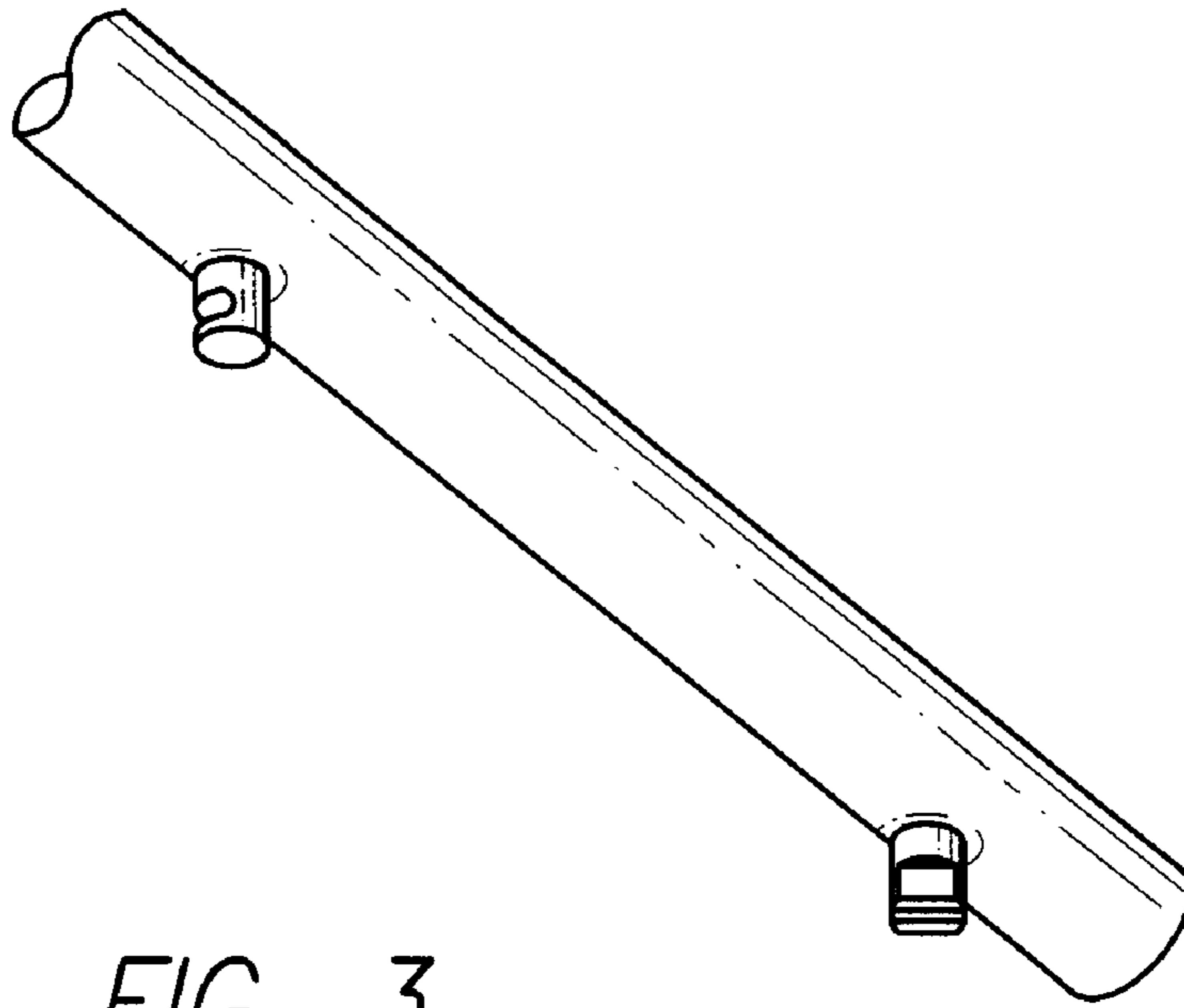


FIG. 3

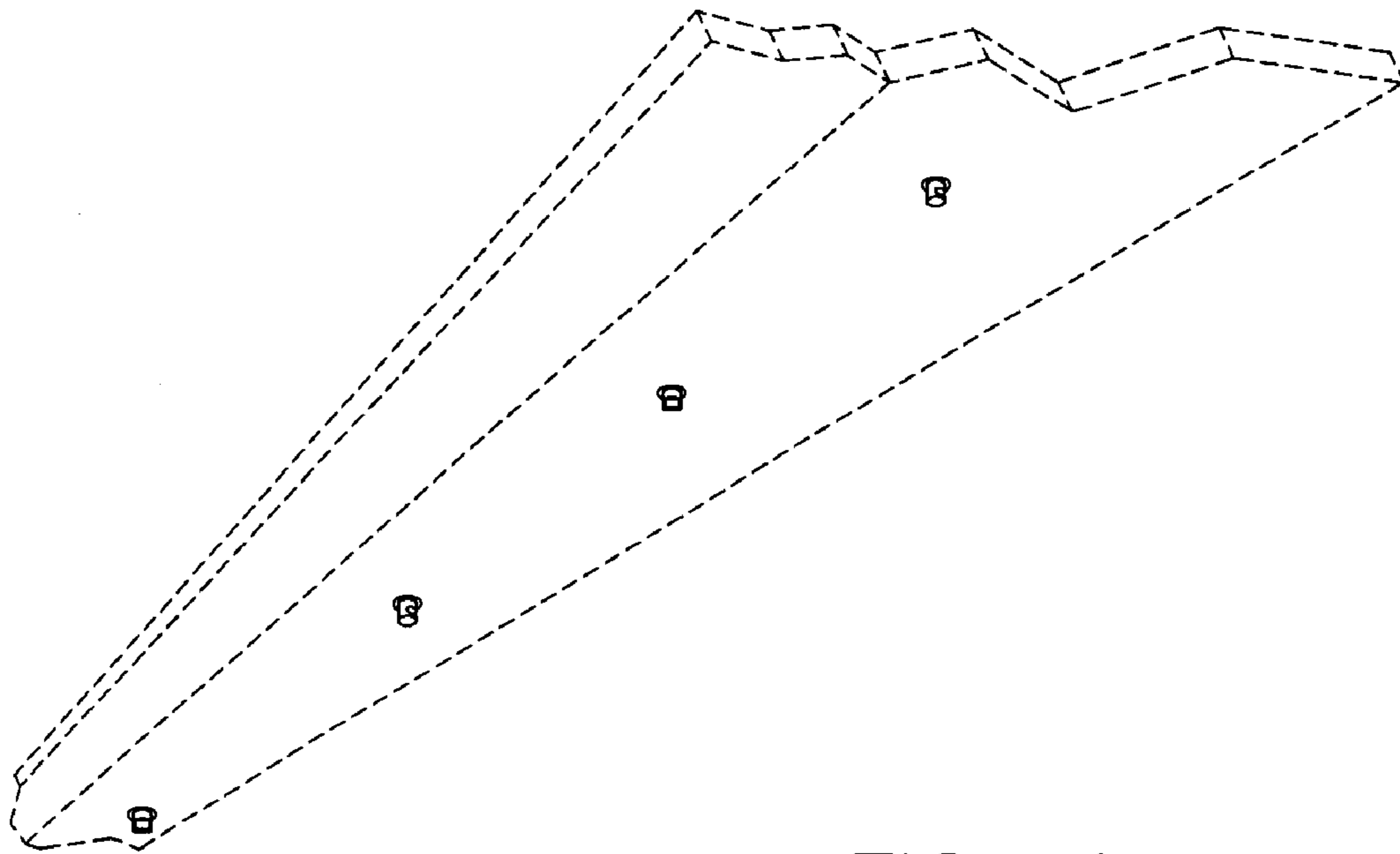


FIG. 4