

US00D524406S

(12) **United States Design Patent**
Hoernig

(10) **Patent No.:** **US D524,406 S**

(45) **Date of Patent:** **** Jul. 4, 2006**

(54) **SHOWER HEAD**

(75) Inventor: **Victor Hoernig**, Lowell, IN (US)

(73) Assignee: **Brasstech, Inc.**, Santa Ana, CA (US)

(**) Term: **14 Years**

(21) Appl. No.: **29/226,526**

(22) Filed: **Mar. 30, 2005**

(51) **LOC (8) Cl.** **23-01**

(52) **U.S. Cl.** **D23/213**

(58) **Field of Classification Search** D23/213,
D23/229, 230; 239/282, 283, 394
See application file for complete search history.

(56) **References Cited**

U.S. PATENT DOCUMENTS

- D450,370 S * 11/2001 Wales et al. D23/213
- D463,528 S * 9/2002 Ouyoung D23/230
- D468,800 S * 1/2003 Tse D23/213

- D475,433 S * 6/2003 Citterio D23/213
- D509,282 S 9/2005 Blomstrom
- D512,120 S * 11/2005 Haug et al. D23/213

* cited by examiner

Primary Examiner—Robin Webster

(74) *Attorney, Agent, or Firm*—Kwadjo Adusei-Poku;
Lloyd D. Doigan

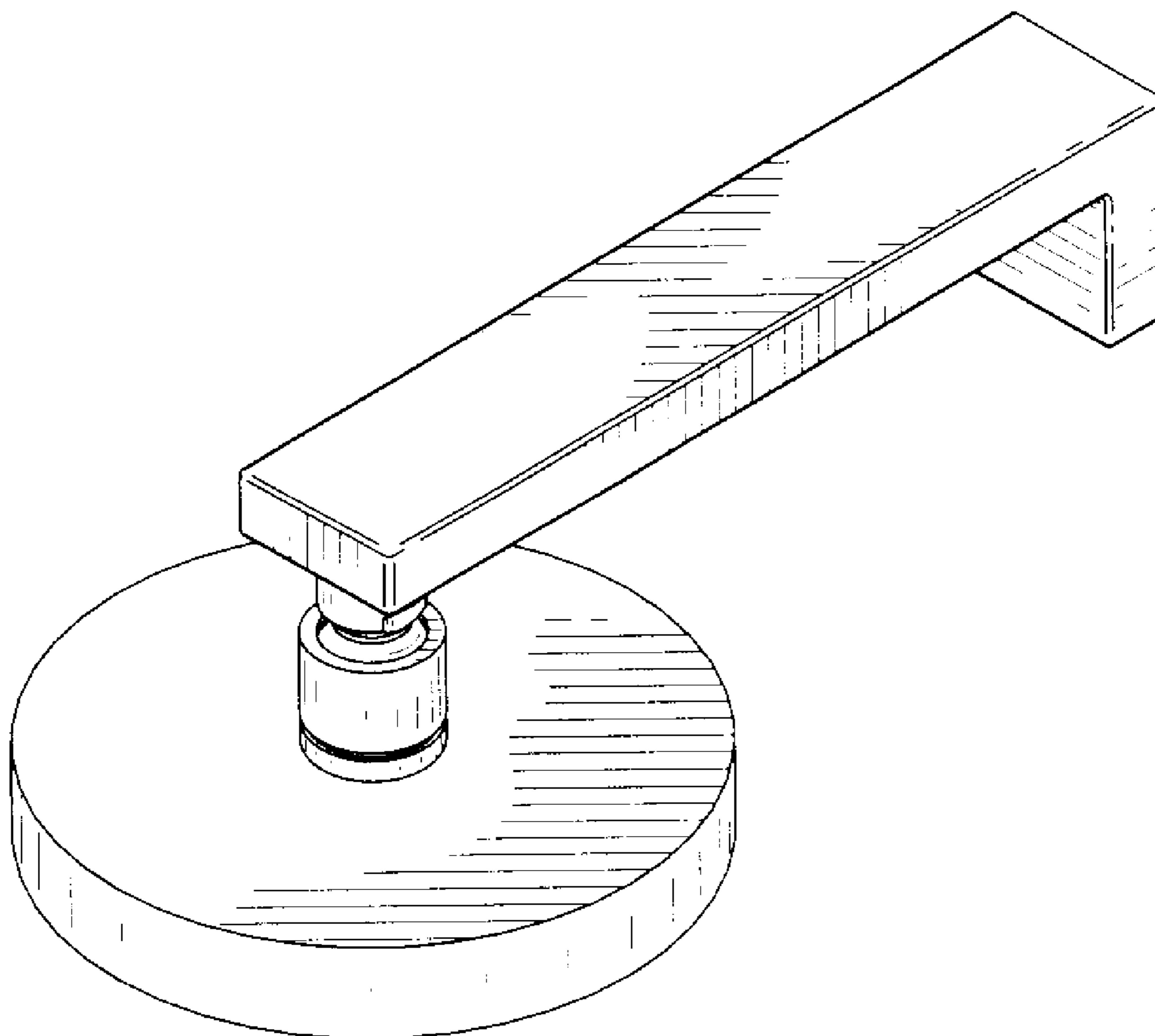
(57) **CLAIM**

The ornamental design for a shower head, as shown and described.

DESCRIPTION

FIG. 1 is a front perspective view of a shower head showing my design;
 FIG. 2 is a front elevational view;
 FIG. 3 is a right-side elevational view, the left-side elevational view being a mirror image thereof;
 FIG. 4 is a top plan view thereof; and,
 FIG. 5 is a bottom plan view thereof.

1 Claim, 5 Drawing Sheets



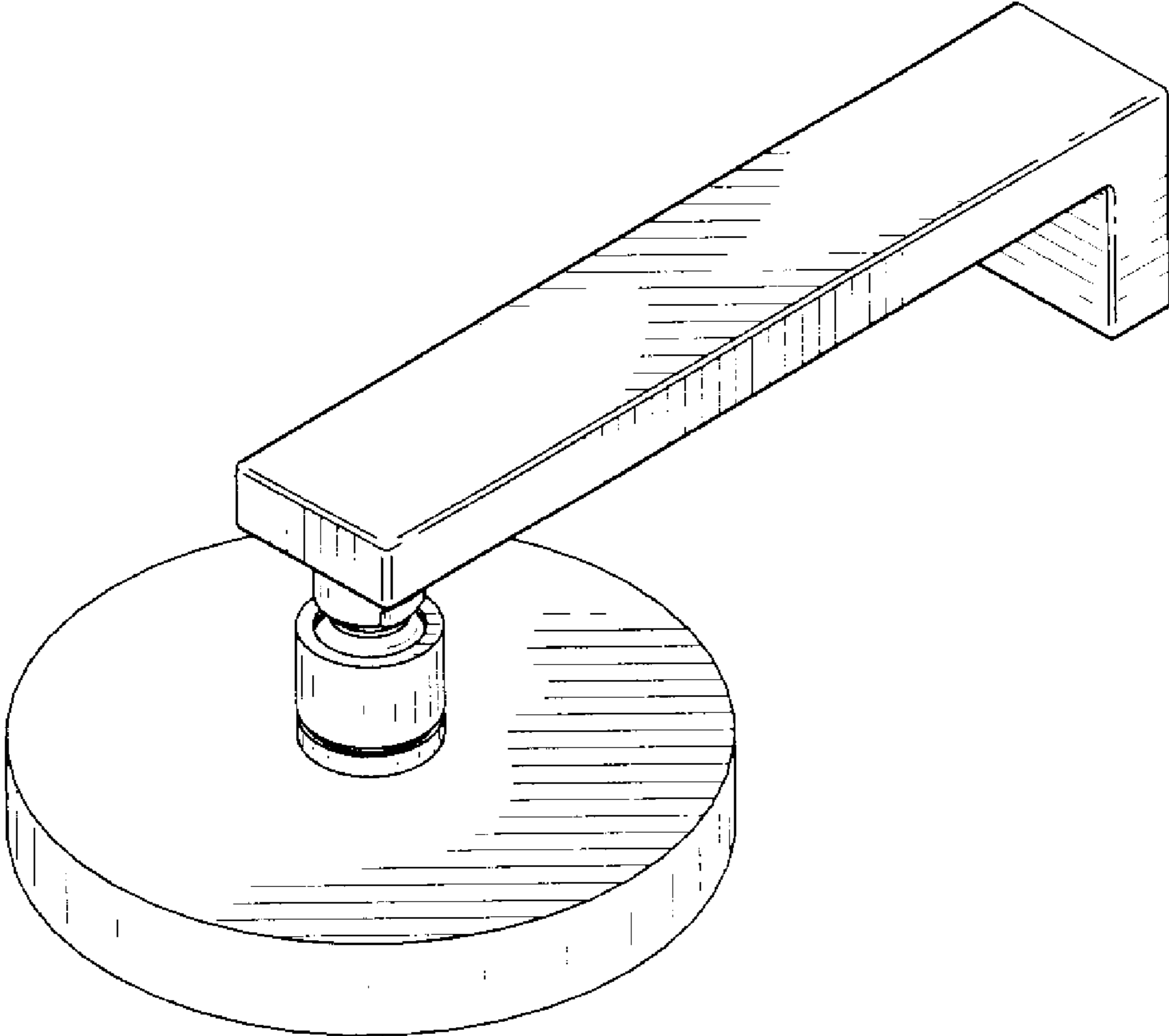


FIG. 1

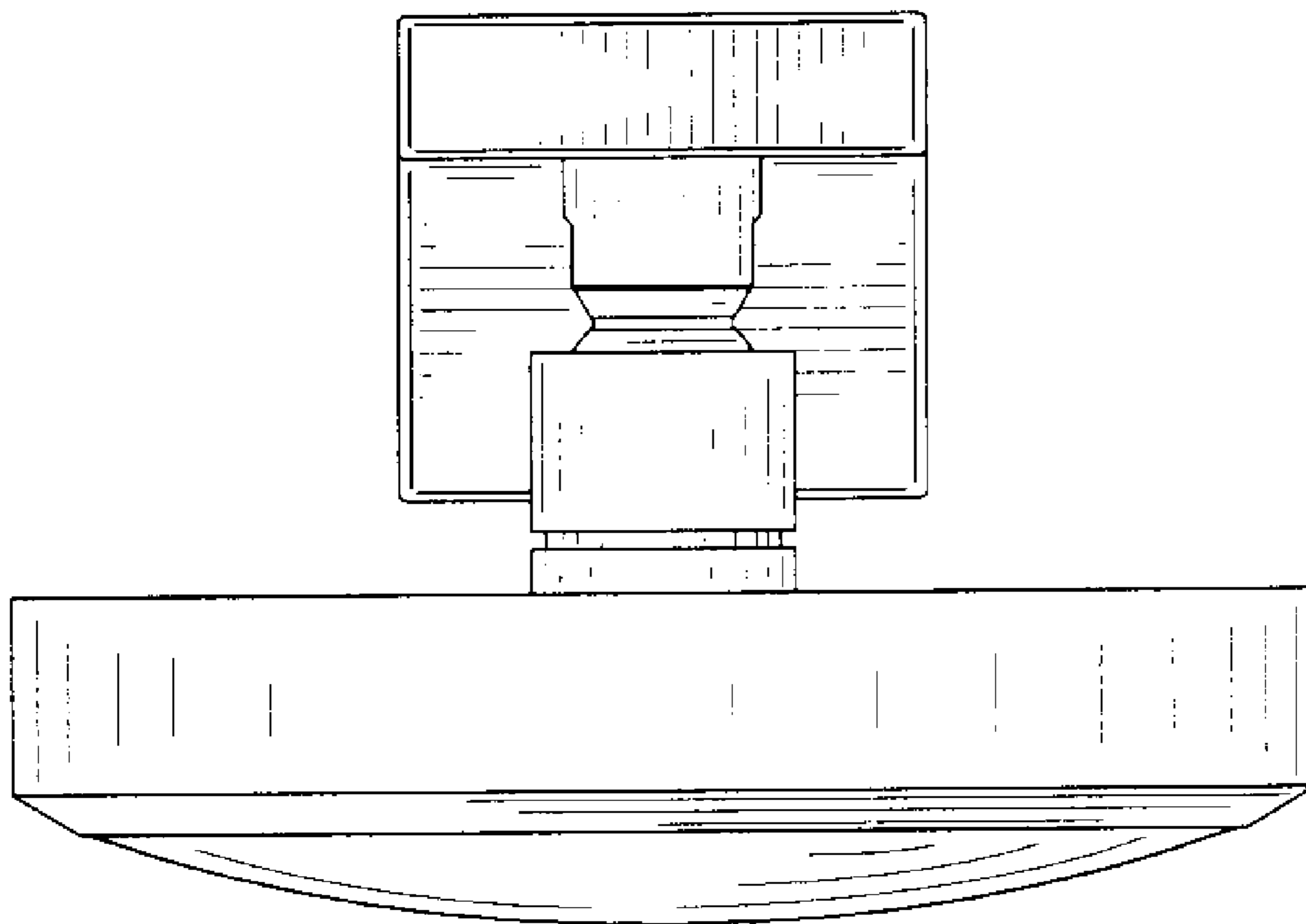


FIG. 2

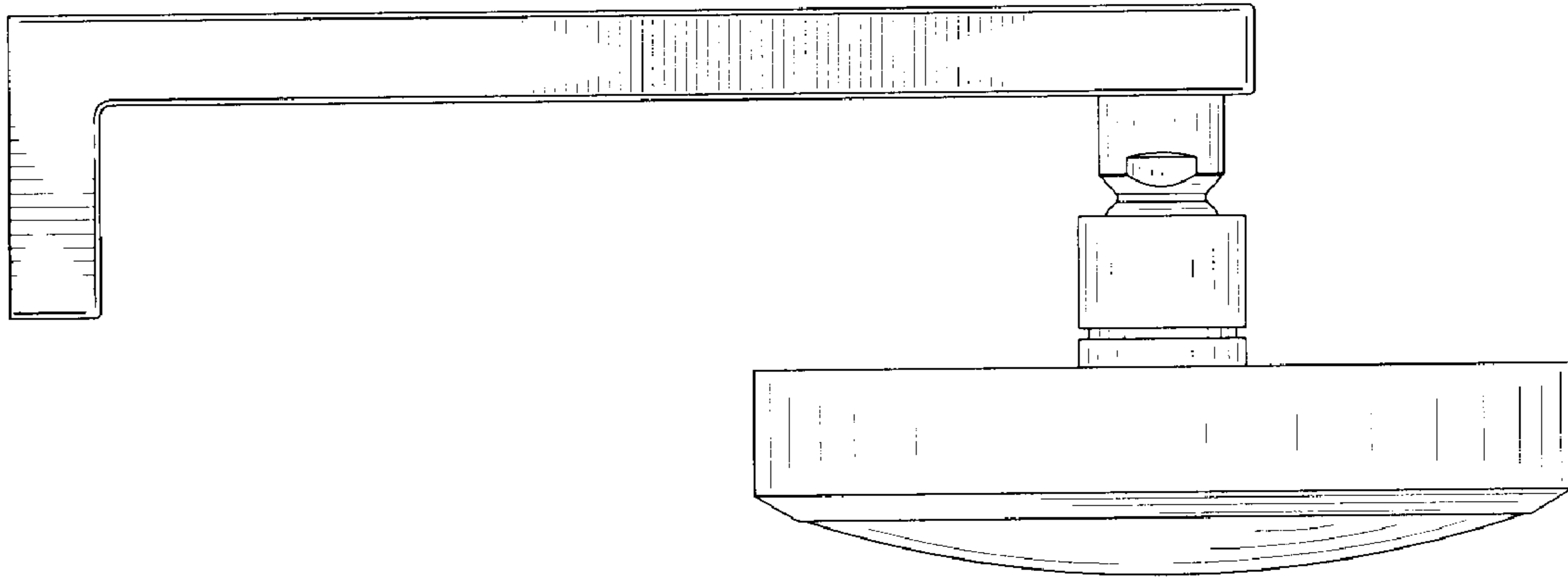


FIG. 3

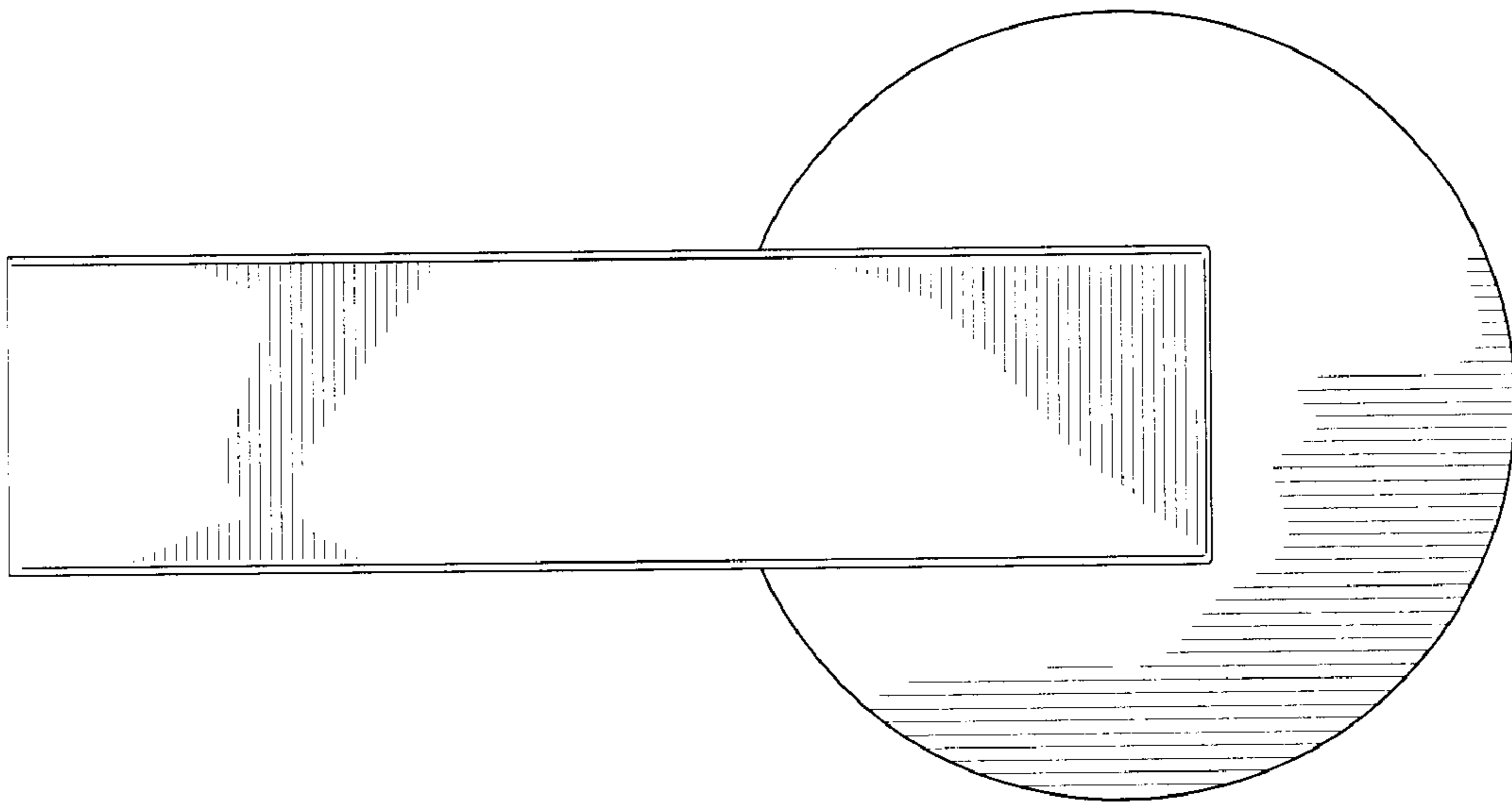


FIG. 4

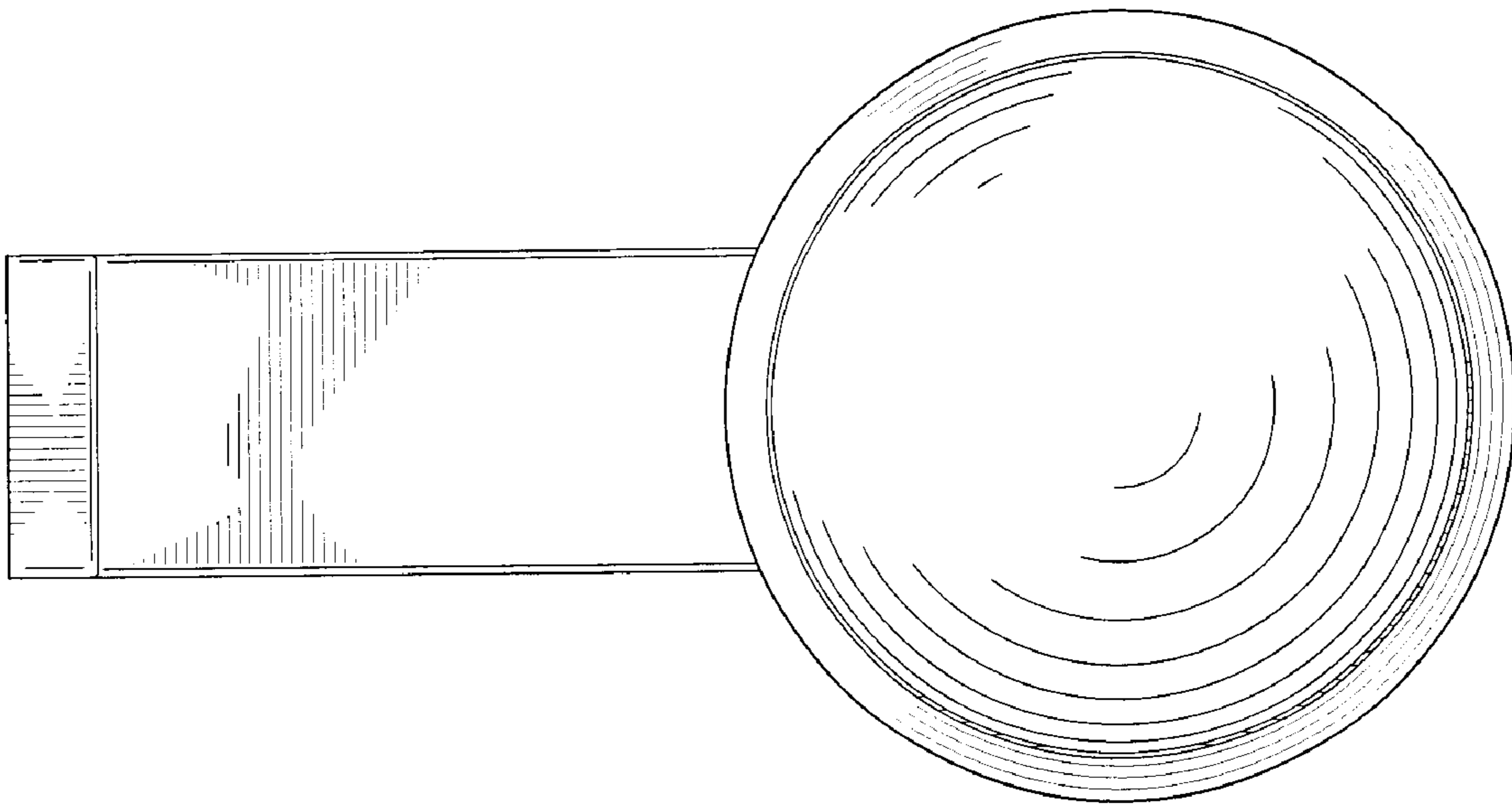


FIG. 5