

US00D524405S

(12) **United States Design Patent**
Hoernig

(10) **Patent No.:** **US D524,405 S**

(45) **Date of Patent:** **** Jul. 4, 2006**

(54) **BODY SPRAY**

D488,209 S * 4/2004 Lobermeier D23/230
D506,242 S * 6/2005 Spangler D23/213

(75) Inventor: **Victor Hoernig**, Lowell, IN (US)

* cited by examiner

(73) Assignee: **Brasstech, Inc.**, Santa Ana, CA (US)

Primary Examiner—Robin Webster

(**) Term: **14 Years**

(74) *Attorney, Agent, or Firm*—Kwadjo Adusei-Poku;
Lloyd D. Doigan

(21) Appl. No.: **29/226,517**

(57) **CLAIM**

(22) Filed: **Mar. 30, 2005**

The ornamental design for a body spray, as shown and described.

(51) **LOC (8) Cl.** **23-01**

(52) **U.S. Cl.** **D23/213**

(58) **Field of Classification Search** D23/213,
D23/229, 230; 239/282, 283, 394
See application file for complete search history.

DESCRIPTION

FIG. 1 is a front perspective view of a body spray showing my design;

FIG. 2 is a front elevational view thereof;

FIG. 3 is a left side elevational view, the right side elevational view being a mirror image thereof; and,

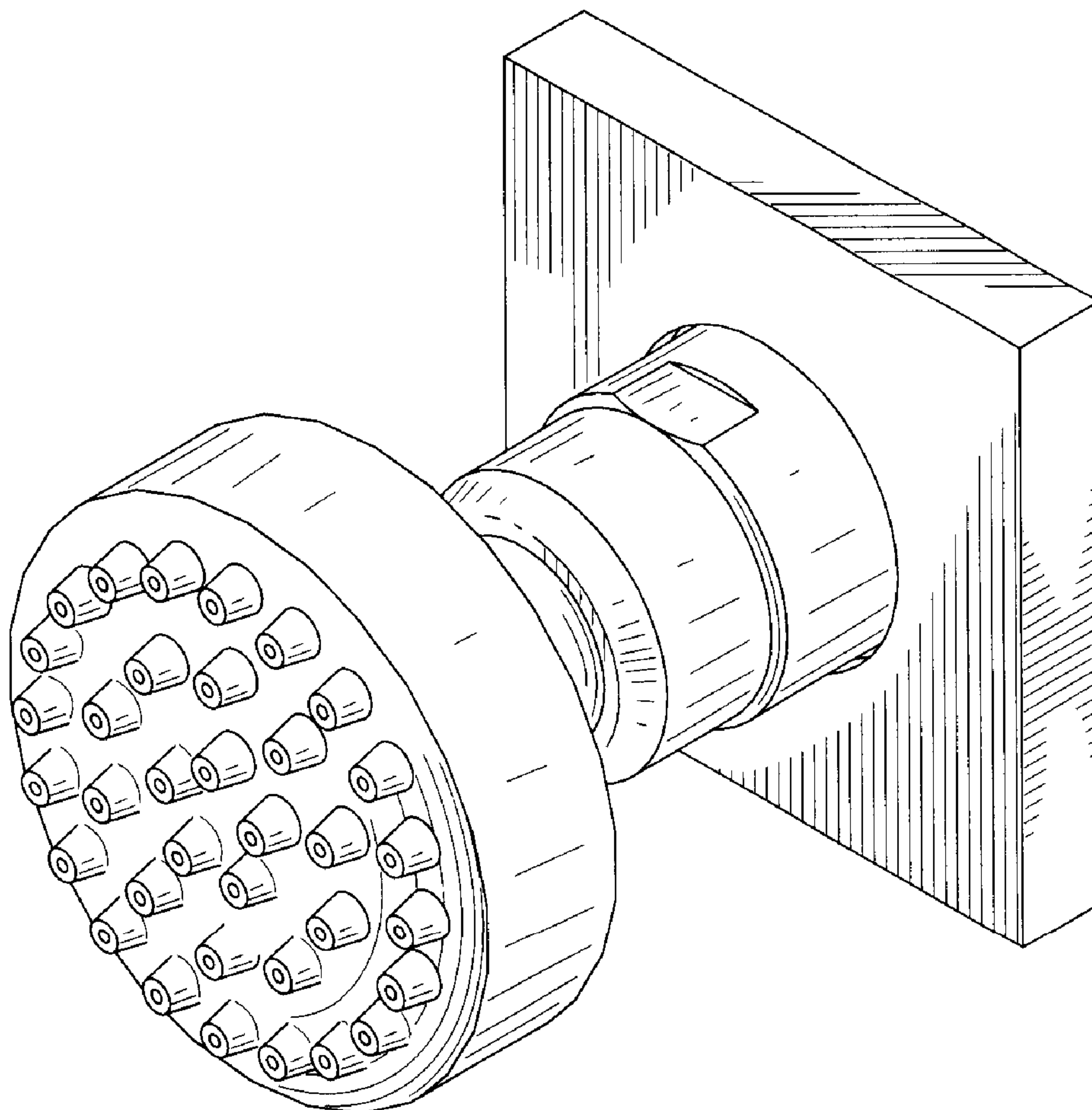
FIG. 4 is a top plan view thereof.

(56) **References Cited**

U.S. PATENT DOCUMENTS

D437,914 S * 2/2001 Fleischmann D23/213
D467,639 S * 12/2002 Singtoroj D23/229
D486,888 S * 2/2004 Lobermeier D23/229

1 Claim, 4 Drawing Sheets



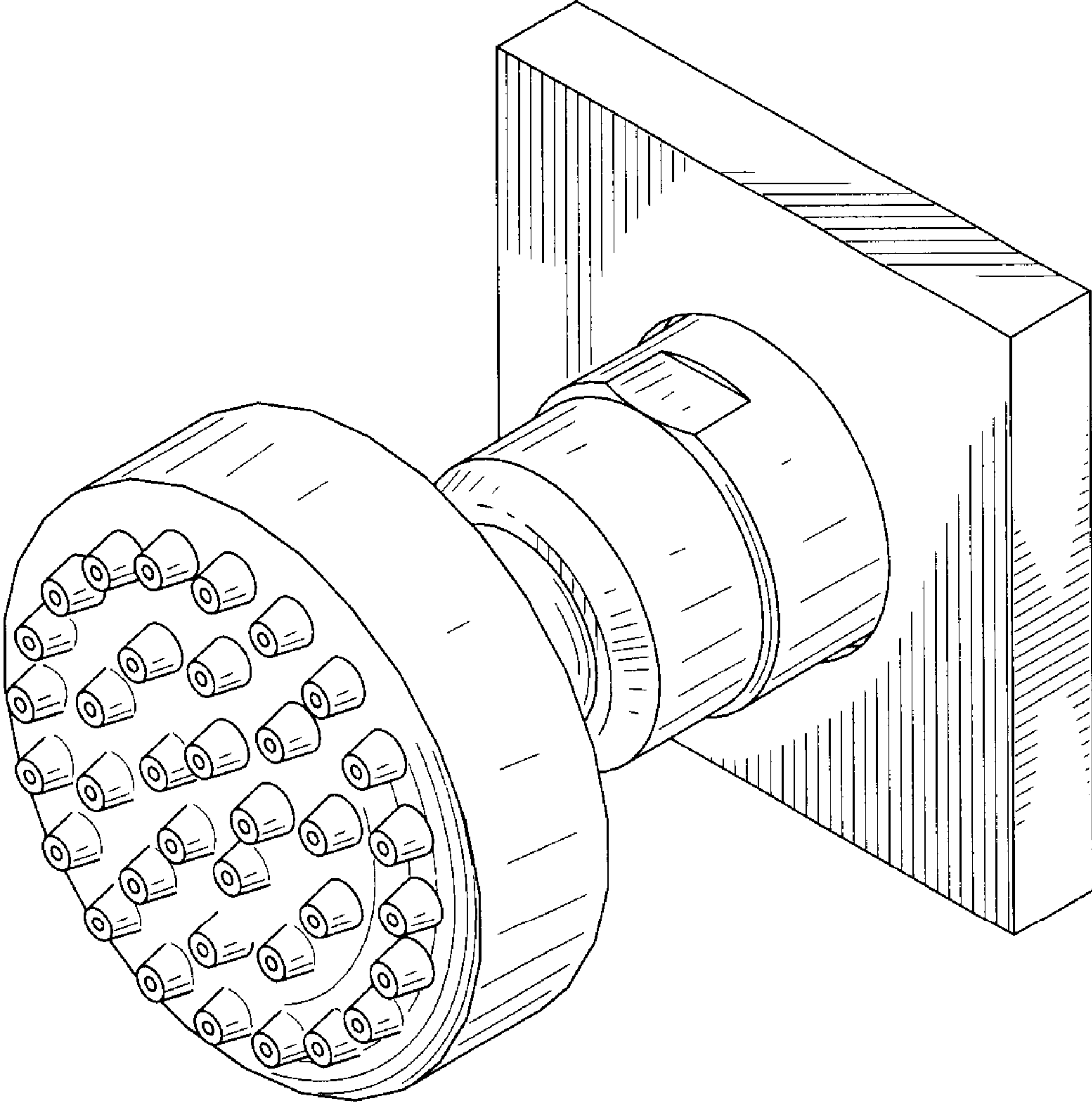


FIG. 1

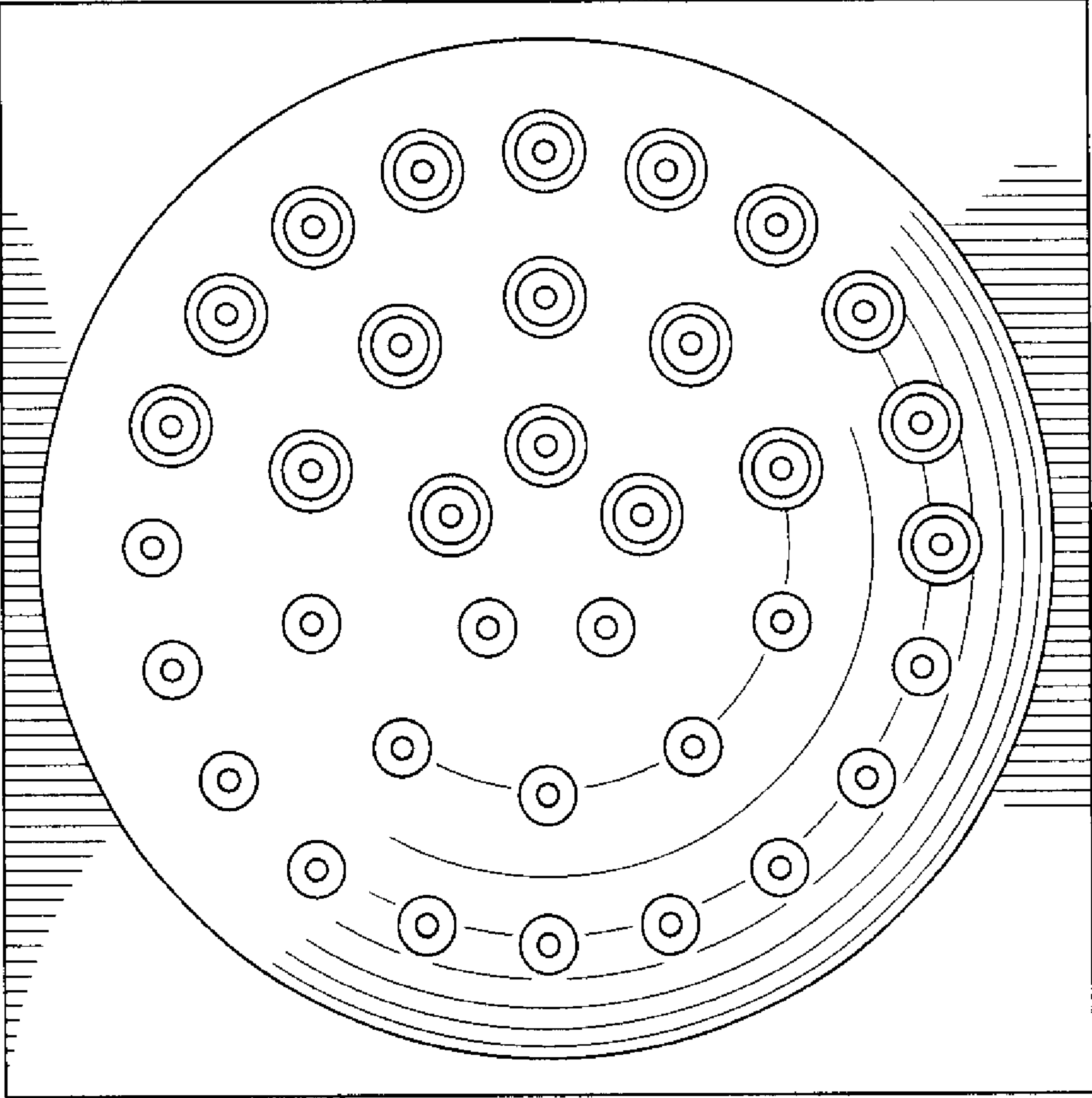


FIG. 2

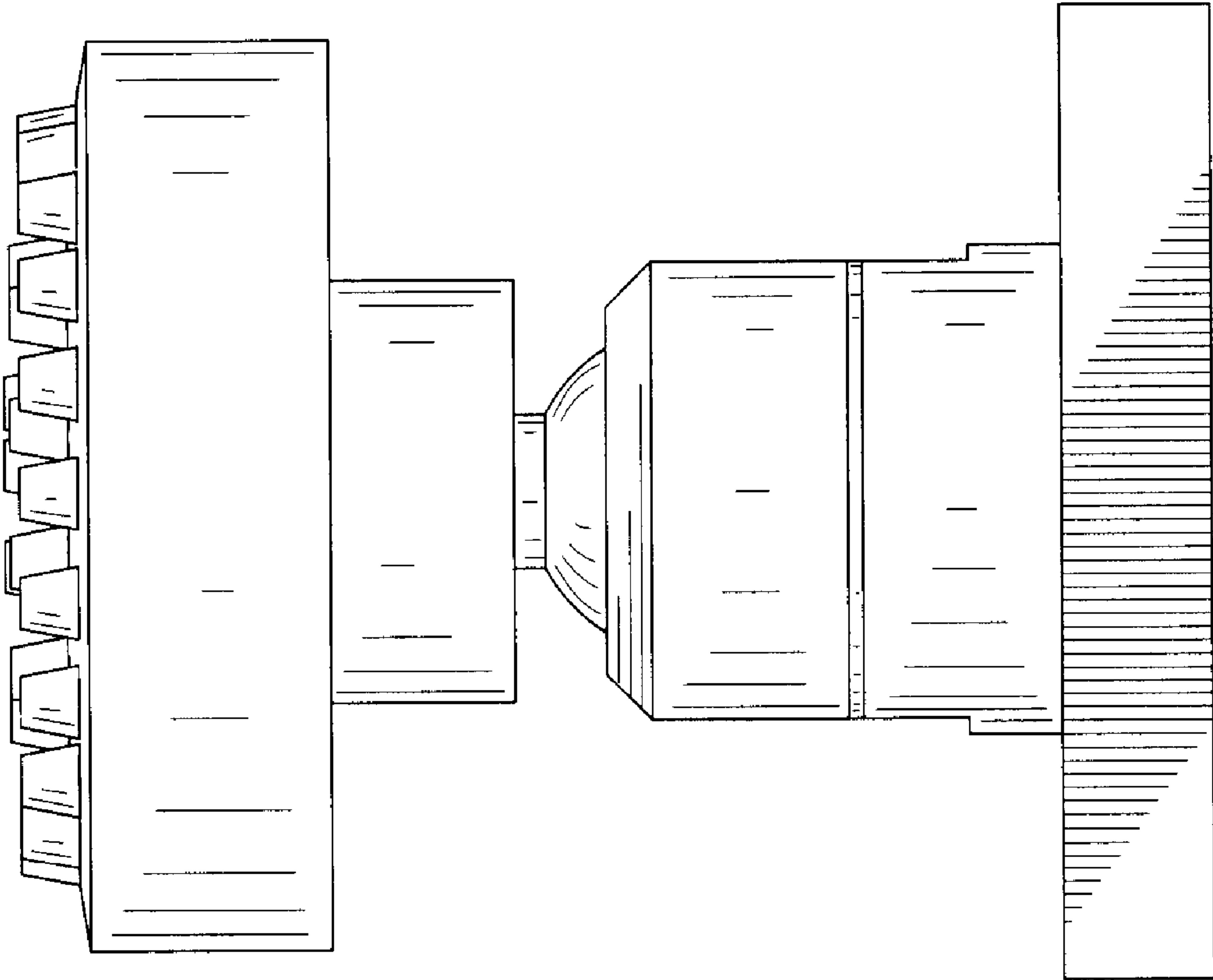


FIG. 3

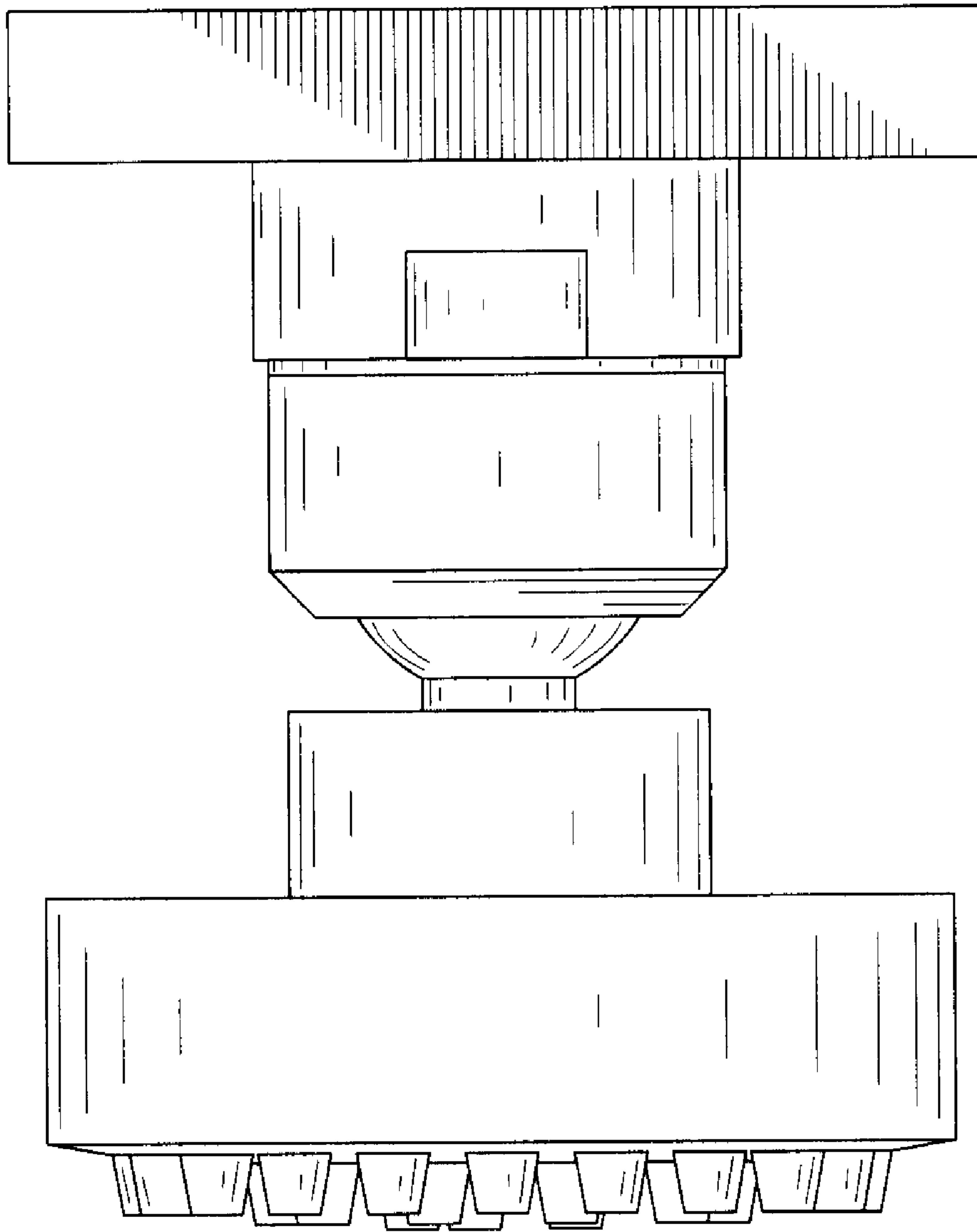


FIG. 4