

US00D524403S

(12) **United States Design Patent**
Strandell

(10) **Patent No.:** **US D524,403 S**
(45) **Date of Patent:** **** Jul. 4, 2006**

(54) **NOZZLE TIP FOR A PRESSURE WASHER**

(75) Inventor: **Timothy B. Strandell**, Racine, WI (US)

(73) Assignee: **Briggs & Stratton Power Products Group, LLC**, Jefferson, WI (US)

(**) Term: **14 Years**

(21) Appl. No.: **29/218,662**

(22) Filed: **Dec. 6, 2004**

(51) **LOC (8) Cl.** **23-01**

(52) **U.S. Cl.** **D23/213**

(58) **Field of Classification Search** D23/213;
239/71, 390, 601
See application file for complete search history.

(56) **References Cited**

U.S. PATENT DOCUMENTS

D198,356 S	*	6/1964	Wahlin	D23/213
3,779,462 A		12/1973	Bruninga		
4,343,849 A	*	8/1982	Sutton et al.	428/157
5,415,348 A		5/1995	Nelson		
5,762,269 A		6/1998	Sweet		
6,082,627 A		7/2000	Rateman		
D436,648 S	*	1/2001	Maddox et al.	D23/213
6,588,680 B1	*	7/2003	Cameron et al.	239/276

OTHER PUBLICATIONS

Nozzles Catalog, 9 pages, downloaded from <http://www.landa.com/docs/catalog/Nozzles.pdf>, publicly available prior to Dec. 6, 2003.

* cited by examiner

Primary Examiner—Robin Webster

(74) *Attorney, Agent, or Firm*—Michael Best & Friedrich LLP

(57) **CLAIM**

We claim the ornamental design for a nozzle tip for a pressure washer, as shown and described in FIGS. 1–5.

DESCRIPTION

FIG. 1 is a perspective view of a nozzle tip for a pressure washer according to a first embodiment of the present invention.

FIG. 2 is a front view of the nozzle tip shown in FIG. 1.

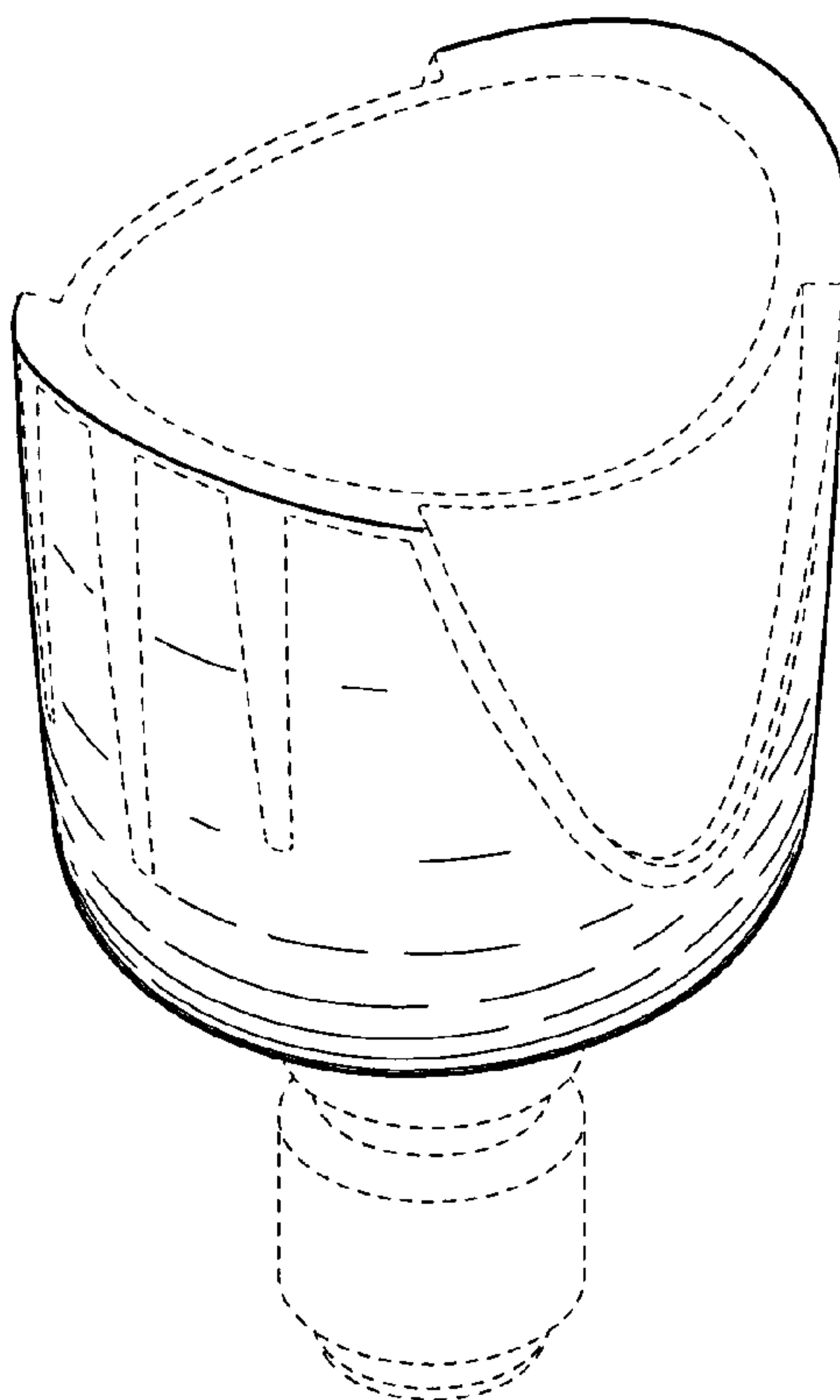
FIG. 3 is a side view of the nozzle tip shown in FIG. 1, the opposite side view being identical.

FIG. 4 is a bottom view of the nozzle tip shown in FIG. 1; and,

FIG. 5 is a top view of the nozzle tip shown in FIG. 1.

The broken line showing of the environment is for illustrative purposes only and forms no part of the claimed design. The broken lines which define the boundaries of the claimed design form no part thereof.

1 Claim, 2 Drawing Sheets



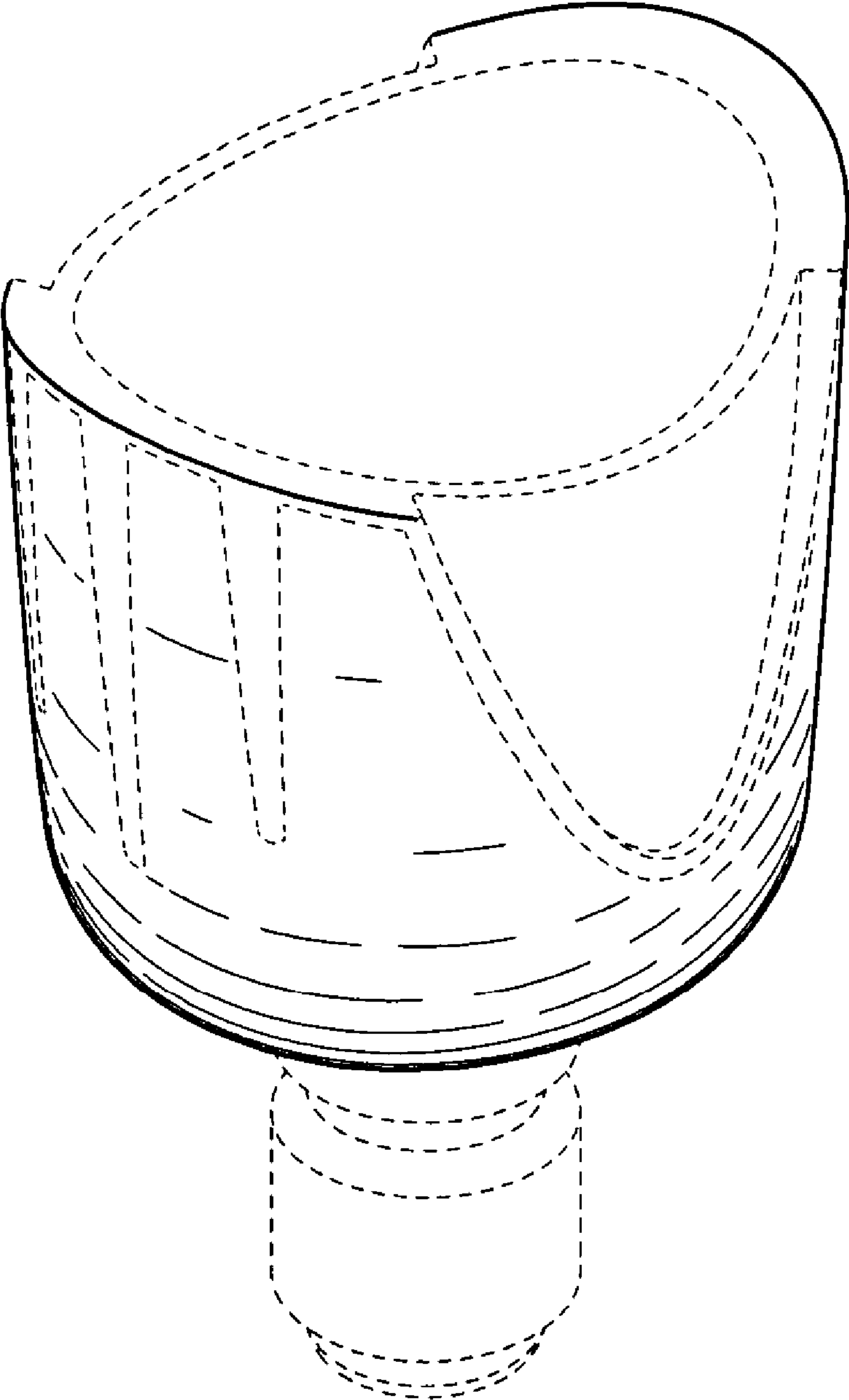


FIG. 1

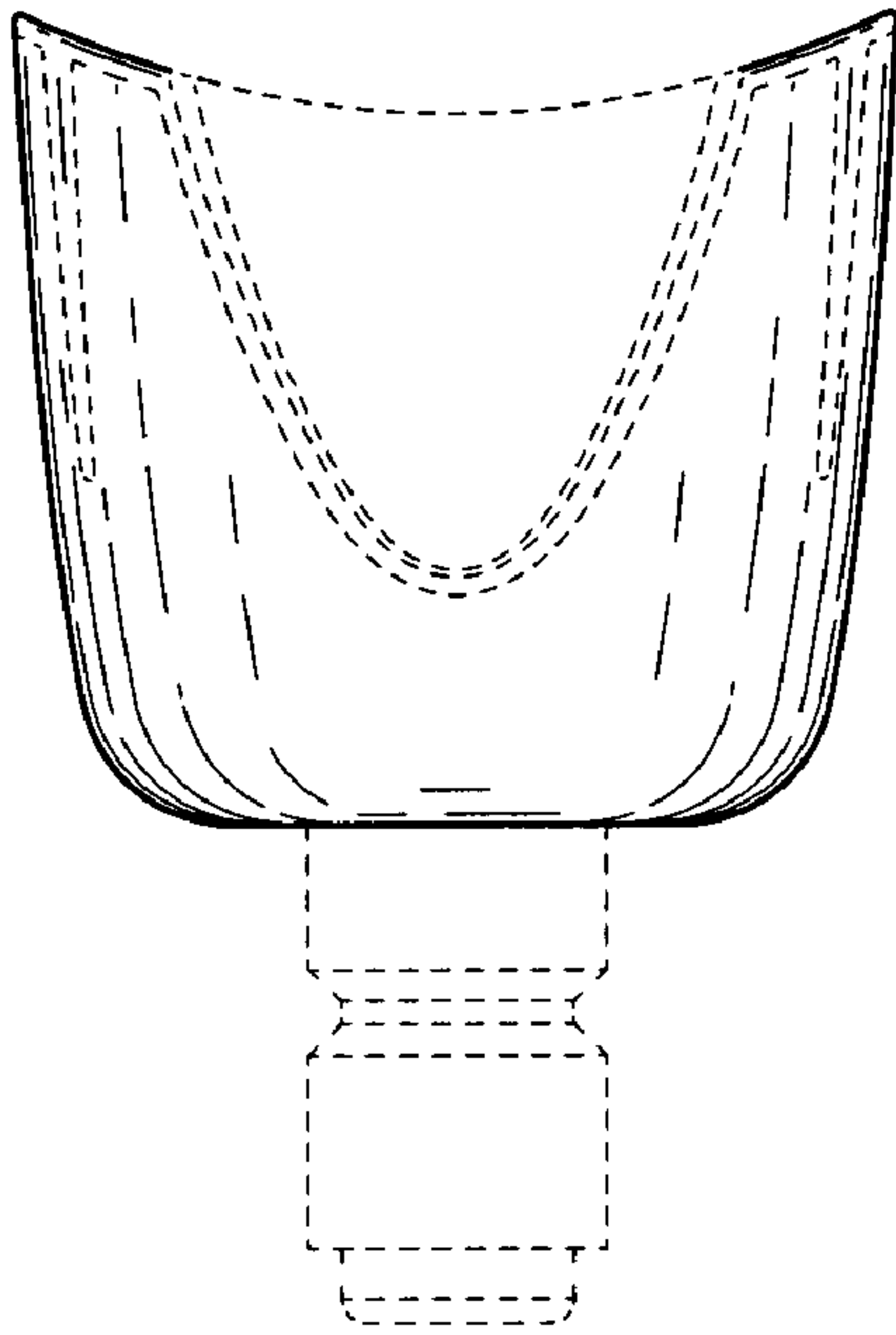


FIG. 2

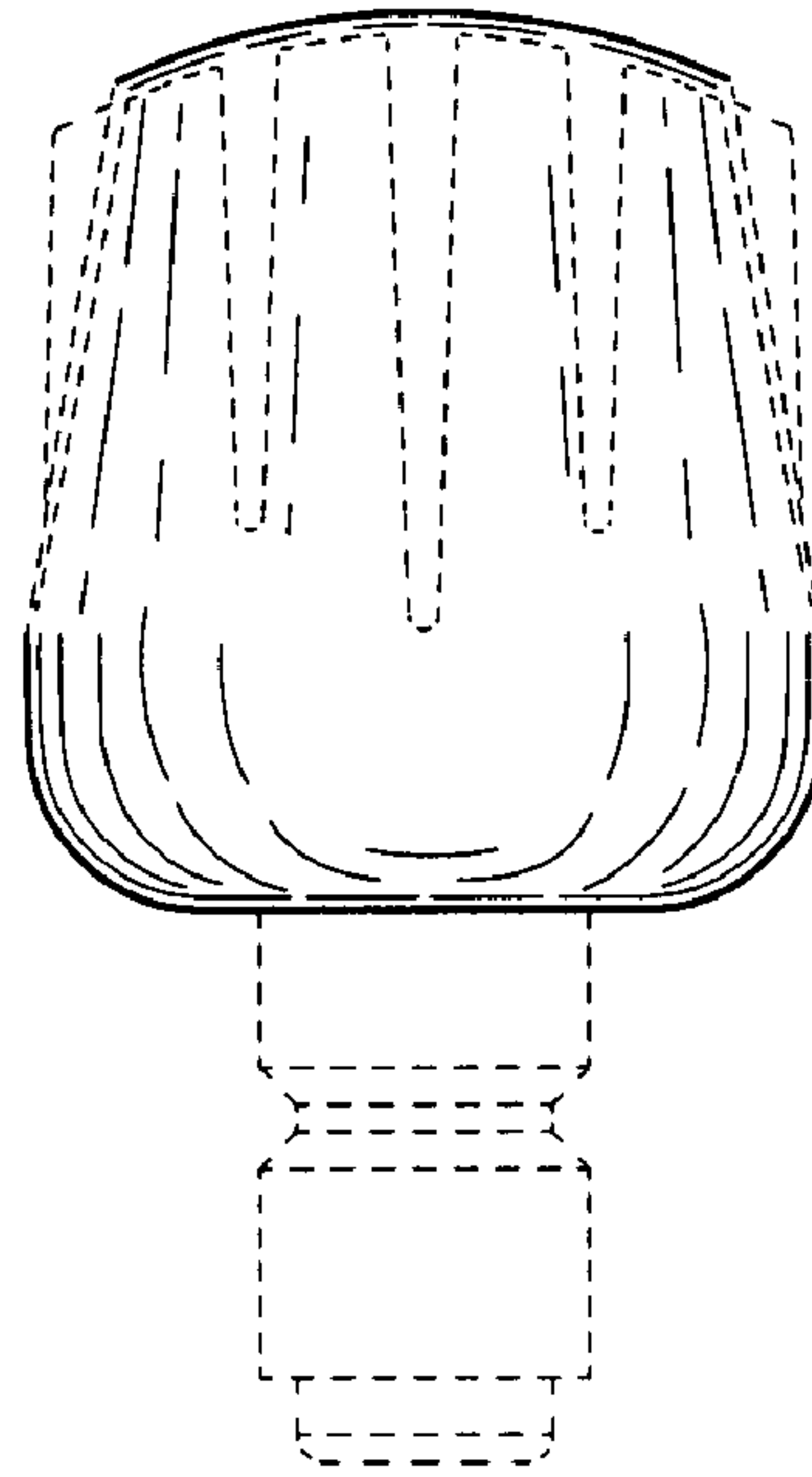


FIG. 3

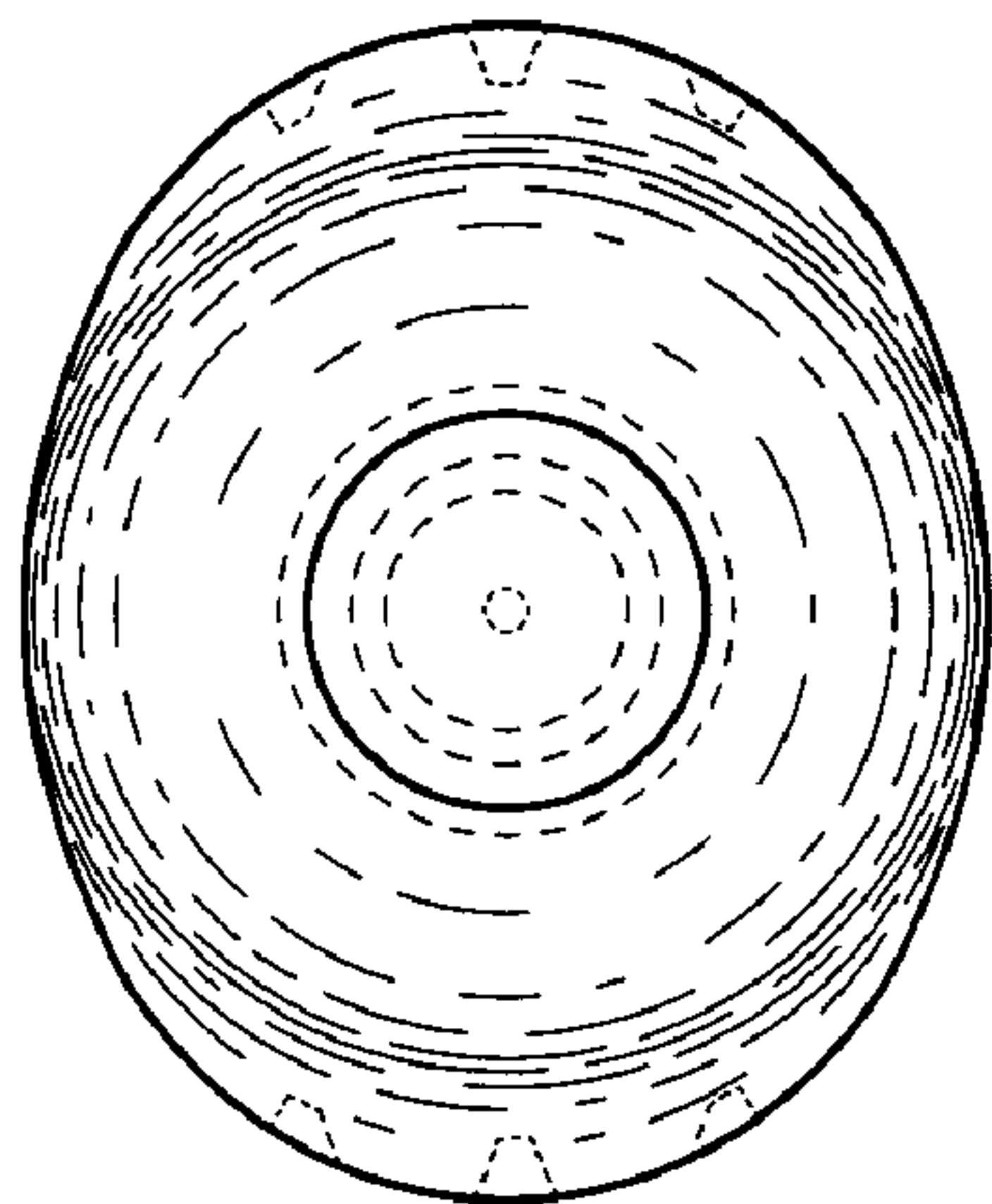


FIG. 4

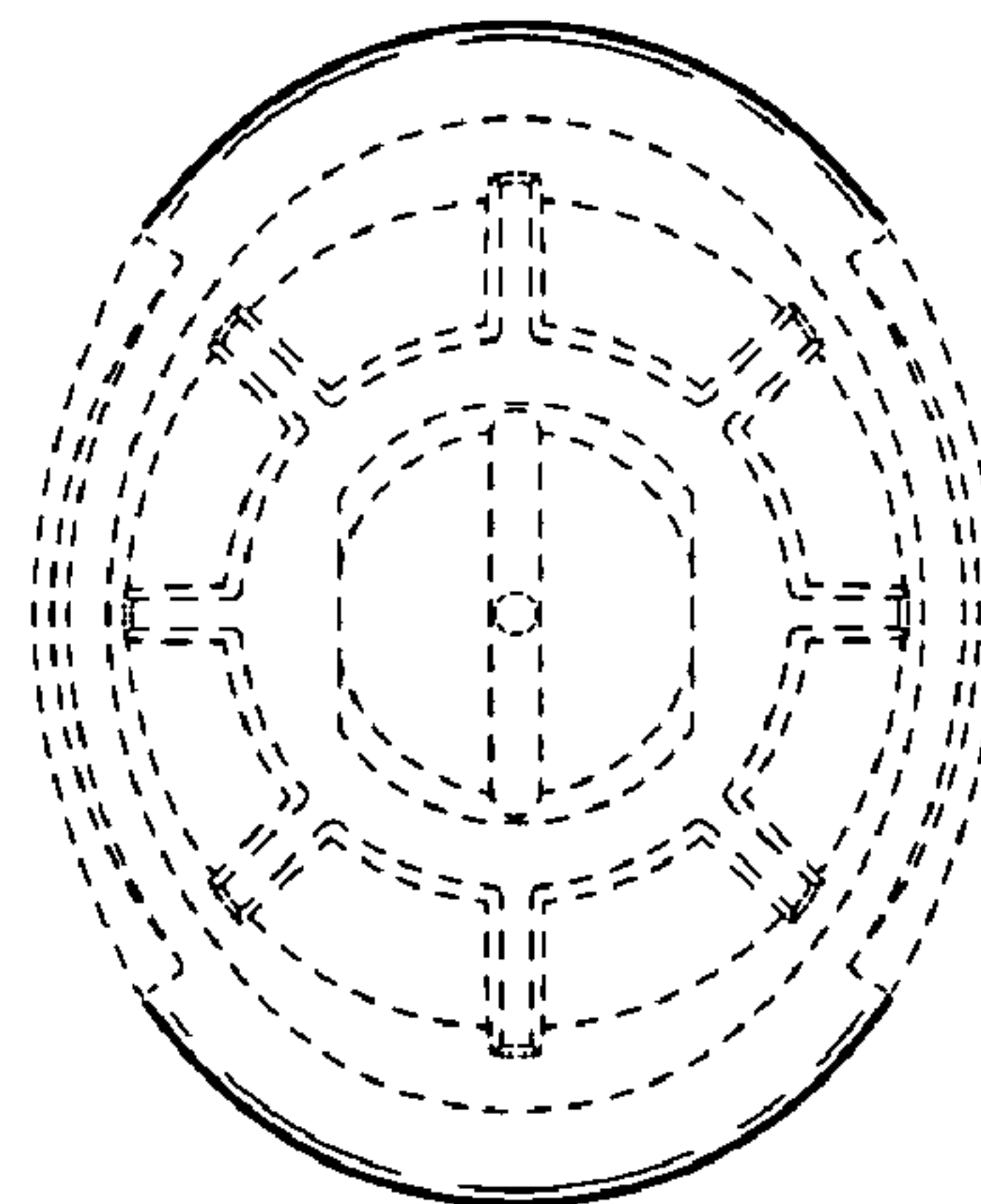


FIG. 5