

US00D524397S

(12) **United States Design Patent**  
**Madore et al.**

(10) **Patent No.:** **US D524,397 S**  
(45) **Date of Patent:** **\*\* Jul. 4, 2006**

(54) **PORTION OF A GOLF CLUB HEAD**

(75) Inventors: **Carl L. Madore**, Portland, OR (US);  
**Andrew G. V. Oldknow**, Beaverton,  
OR (US)

(73) Assignee: **Nike, Inc.**, Beaverton, OR (US)

(\*\*) Term: **14 Years**

D414,234 S 9/1999 Darrah  
D425,953 S 5/2000 Glod  
D442,244 S 5/2001 Olsavsky et al.  
D453,203 S 1/2002 Madore et al.  
D457,212 S 5/2002 Yamane et al.  
D461,215 S 8/2002 Madore  
D461,513 S 8/2002 Madore et al.  
D461,862 S 8/2002 Madore et al.  
D461,865 S 8/2002 Nagai et al.

(Continued)

(21) Appl. No.: **29/243,171**

(22) Filed: **Nov. 22, 2005**

**Related U.S. Application Data**

(63) Continuation of application No. 29/229,871, filed on May 13, 2000.

(51) **LOC (8) Cl.** ..... **21-02**

(52) **U.S. Cl.** ..... **D21/759**

(58) **Field of Classification Search** ..... D21/733,  
D21/752, 759; 473/324-331, 343-346  
See application file for complete search history.

(56) **References Cited**

**U.S. PATENT DOCUMENTS**

D247,922 S 5/1978 Sheldon  
D353,176 S 12/1994 Poggi  
D355,686 S 2/1995 Hlinka  
D363,750 S 10/1995 Reed  
5,456,469 A 10/1995 MacDougall  
D379,391 S \* 5/1997 Moore ..... D21/752  
D389,885 S 1/1998 Mahaffey et al.  
D396,512 S 7/1998 Besnard et al.  
D398,681 S 9/1998 Galy  
D398,682 S 9/1998 Moore  
D399,289 S 10/1998 Sheets et al.  
D399,898 S 10/1998 Stone et al.  
D401,989 S 12/1998 Sheets et al.  
D402,339 S 12/1998 Sheets et al.  
D402,340 S 12/1998 Sheets et al.  
D403,037 S 12/1998 Stone et al.  
D410,057 S 5/1999 Ortiz  
D414,231 S 9/1999 Mahaffey

**OTHER PUBLICATIONS**

Goldsmith Special Mid-Year Components Catalog Jul. 1997 pp. 13 and 15.  
Goldsmith Catalog 1996 p. 72.  
Goldsmith Mid-Year Catalog 1996 p. 3.  
Edwin Watts Golf Shops Catalog Late Summer 1998 p. 20.  
Goldsmith Catalog 1998 p. 62.  
Edwin Watts Golf Catalog Jan. 2002 p. 13.  
Edwin Watts Golf Catalog Father's Day 2003 p. 12.  
Edwin Watts Golf Catalog Jan. 2003 p. 4.  
Edwin Watts Golf Catalog Jan. 2004 p. 4.  
Edwin Watts Golf Catalog Spring 2004 p. 22.

*Primary Examiner*—Mitchell Siegel

(74) *Attorney, Agent, or Firm*—Banner & Witcoff, Ltd.

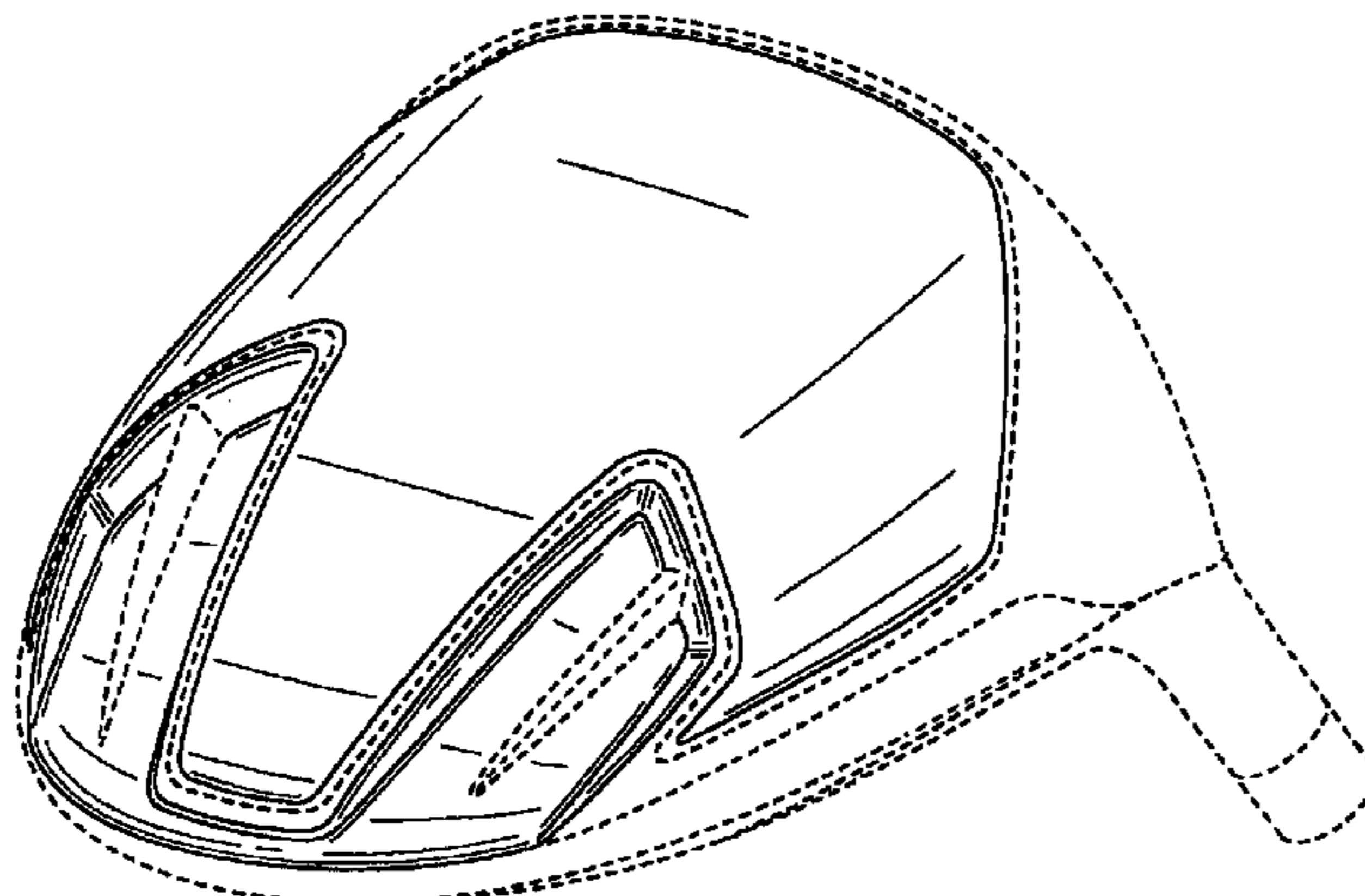
(57) **CLAIM**

The ornamental design for a portion of a golf club head, as shown and described.

**DESCRIPTION**

FIG. 1 is a bottom perspective view of a portion of a golf club head showing our new design;  
FIG. 2 is a bottom view thereof;  
FIG. 3 is a toe end view thereof;  
FIG. 4 is a heel end view thereof; and,  
FIG. 5 is a rear view thereof.  
The broken line showing of the fins within the shaded region and the remainder of the golf club head is for illustrative purposes only and forms no part of the claimed design.

**1 Claim, 4 Drawing Sheets**



# US D524,397 S

Page 2

---

## U.S. PATENT DOCUMENTS

D462,101 S	8/2002	Debenon	
D469,141 S	1/2003	Poynor et al.	
D469,836 S	* 2/2003	Mendralla et al. ....	D21/759
D471,244 S	3/2003	Evans et al.	
D472,950 S	4/2003	Burnett et al.	
D479,867 S	9/2003	Saliba et al.	
D482,091 S	11/2003	Soracco et al.	
D489,425 S	5/2004	Rice et al.	
D490,489 S	5/2004	Madore	
D492,971 S	7/2004	Madore	
D492,972 S	7/2004	Madore	
D492,973 S	7/2004	Madore	
D492,974 S	7/2004	Madore	
D499,158 S	11/2004	Imamoto	
6,881,159 B1	4/2005	Galloway et al.	
D508,544 S	8/2005	Madore	
D509,272 S	9/2005	Smith et al.	
D509,870 S	* 9/2005	Madore .....	D21/759
D511,362 S	* 11/2005	Madore .....	D21/759
D511,552 S	* 11/2005	Bingman .....	D21/759
2001/0011044 A1	8/2001	Galy	

\* cited by examiner

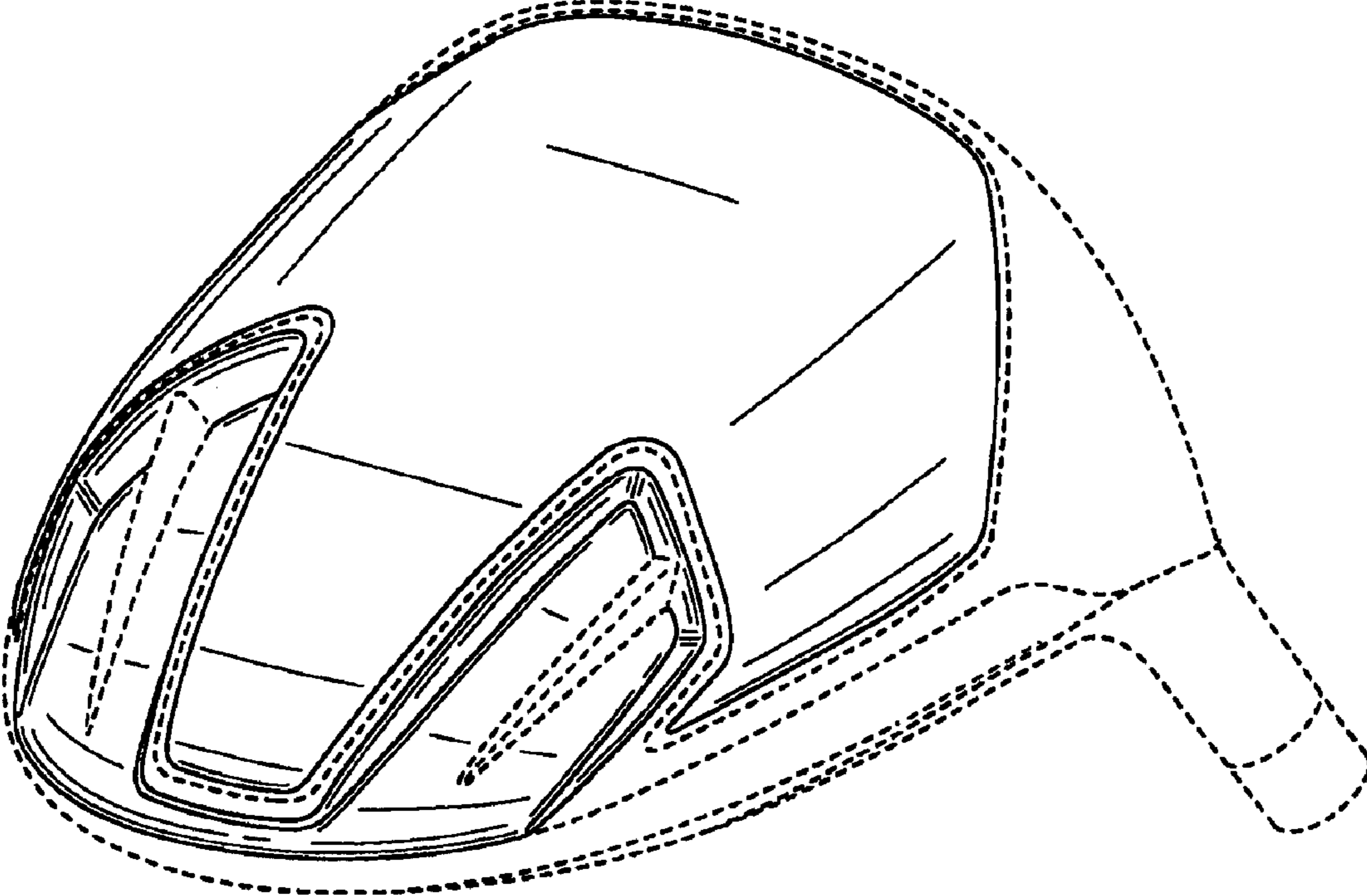


FIG. 1

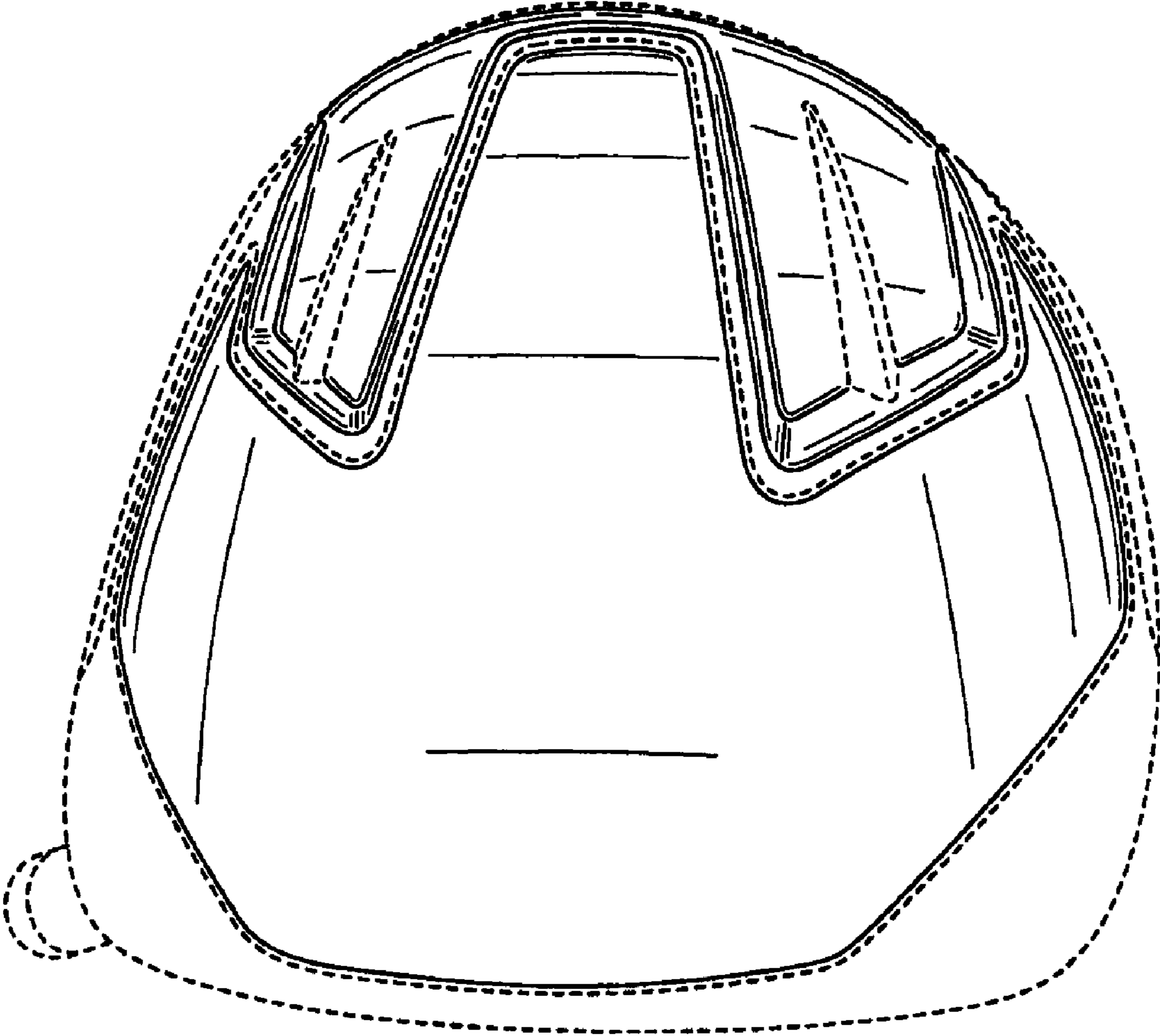


FIG. 2

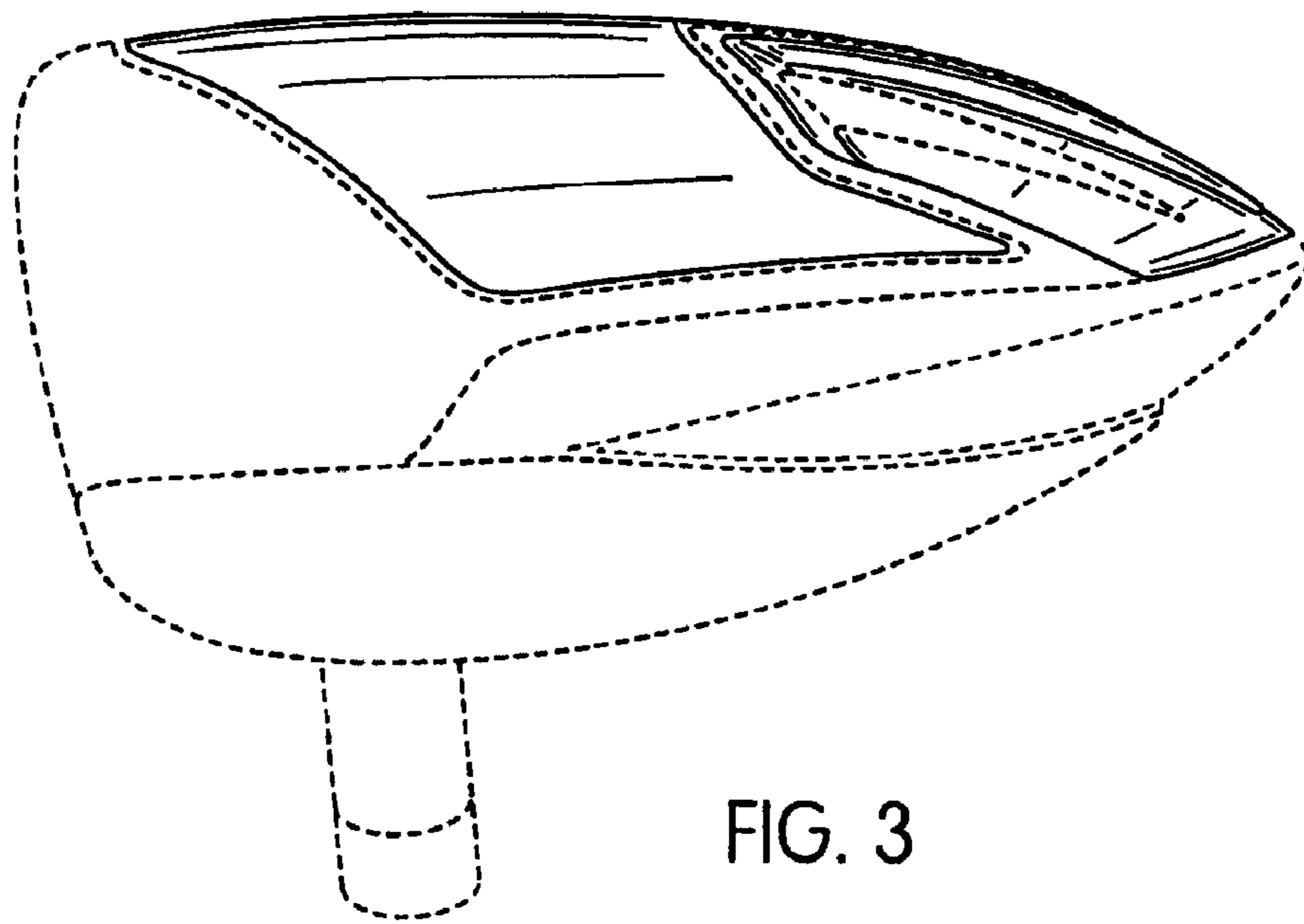


FIG. 3

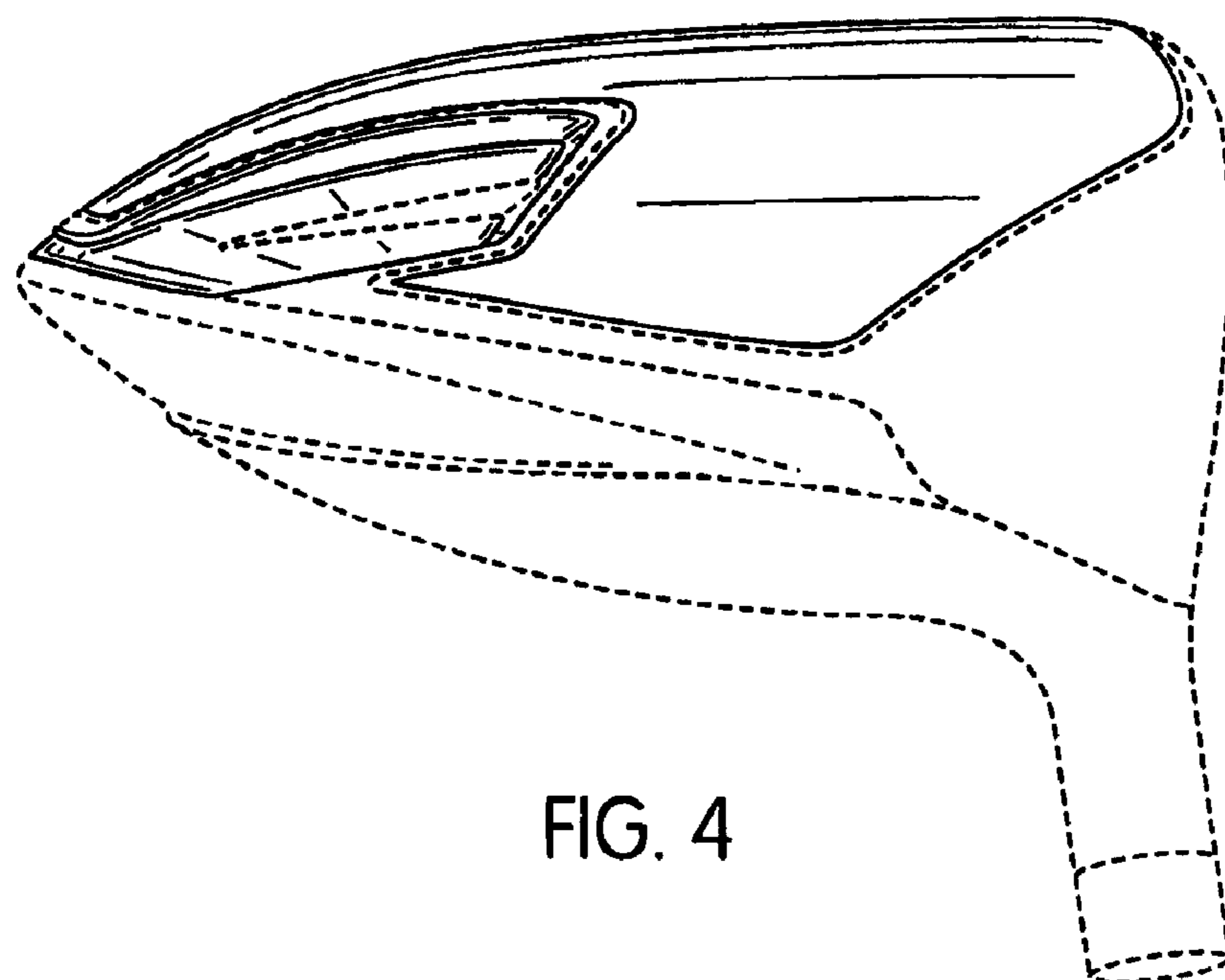


FIG. 4

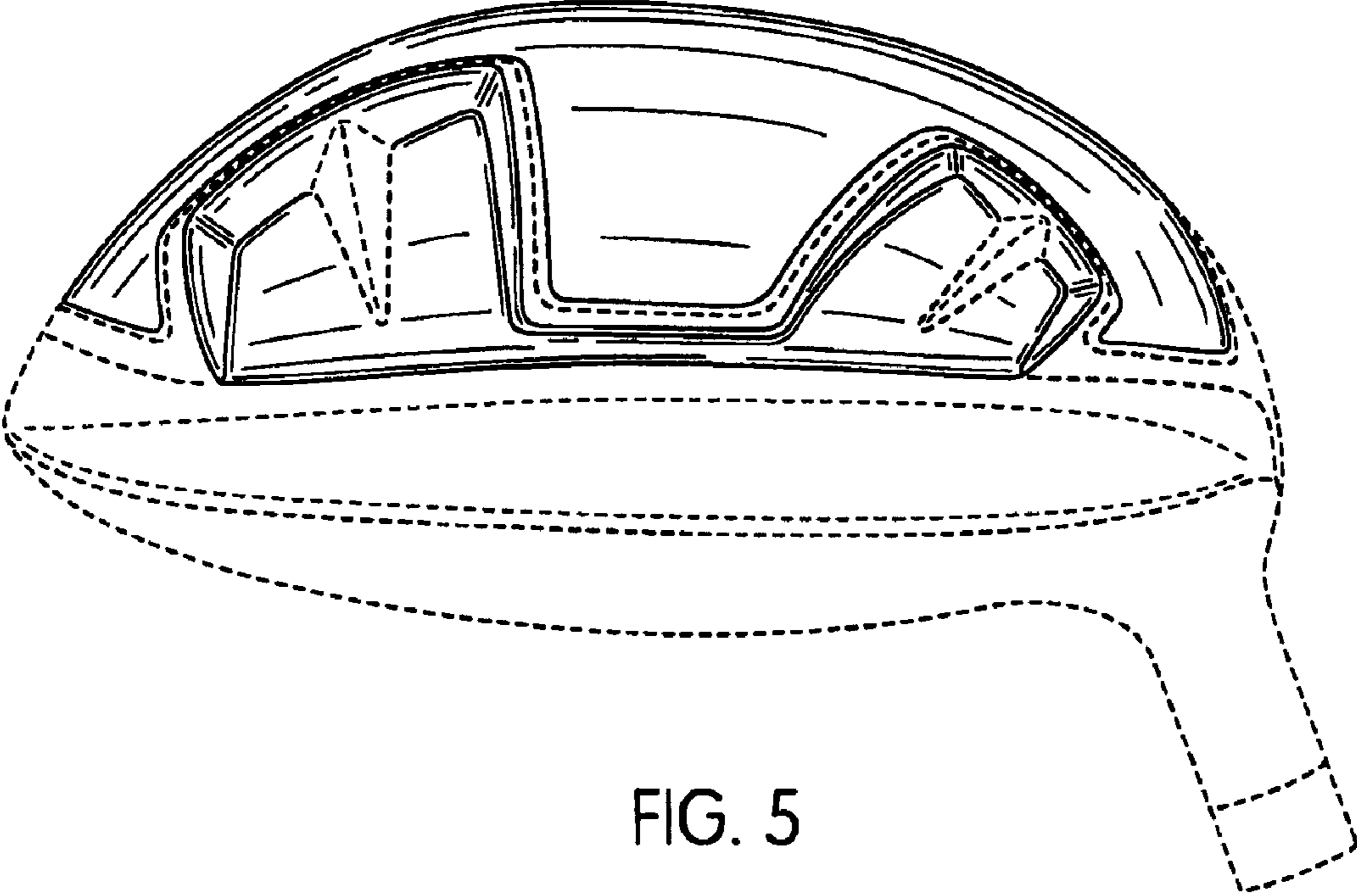


FIG. 5