

US00D524394S

(12) **United States Design Patent**
Madore et al.

(10) **Patent No.:** **US D524,394 S**
(45) **Date of Patent:** **** Jul. 4, 2006**

(54) **PORTION OF A GOLF CLUB HEAD**

(75) Inventors: **Carl L. Madore**, Portland, OR (US);
Andrew G. V. Oldknow, Beaverton,
OR (US)

(73) Assignee: **Nike, Inc.**, Beaverton, OR (US)

(**) Term: **14 Years**

(21) Appl. No.: **29/243,168**

(22) Filed: **Nov. 22, 2005**

(51) **LOC (8) Cl.** **21-02**

(52) **U.S. Cl.** **D21/759**

(58) **Field of Classification Search** D21/733,
D21/752, 759; 473/324–331, 343–346
See application file for complete search history.

(56) **References Cited**

U.S. PATENT DOCUMENTS

D350,176 S	8/1994	Antonious	
D379,391 S	* 5/1997	Moore	D21/752
D396,512 S	7/1998	Besnard et al.	
D398,682 S	* 9/1998	Moore	D21/733
D399,289 S	10/1998	Sheets et al.	
D401,989 S	12/1998	Sheets et al.	
D402,339 S	12/1998	Sheets et al.	
D402,340 S	12/1998	Sheets et al.	
D425,953 S	* 5/2000	Glod	D21/759
D461,513 S	8/2002	Madore et al.	
D461,865 S	8/2002	Nagai et al.	
D469,836 S	* 2/2003	Mendralla et al.	D21/759
D472,950 S	4/2003	Burnett et al.	
D479,867 S	9/2003	Saliba et al.	
D490,489 S	5/2004	Madore	
D492,745 S	7/2004	Tang	
D492,971 S	7/2004	Madore	
D492,972 S	7/2004	Madore	
D492,973 S	7/2004	Madore	

D492,974 S	7/2004	Madore	
D508,544 S	8/2005	Madore	
D509,870 S	* 9/2005	Madore	D21/759
D511,362 S	* 11/2005	Madore	D21/759
D511,552 S	* 11/2005	Bingman	D21/759

OTHER PUBLICATIONS

- Goldsmith Special Mid-Year Components Catalog Jul. 1997 pp. 13 and 15.
- Golfsmith Catalog 1996 p. 72.
- Goldsmith Mid-Year Catalog 1996 p. 3
- Edwin Watta Golf Shops Catalog Late Summer 1998 p. 20.
- Golfsmith Catalog 1998 p. 62.
- Edwin Watts Golf Catalog Jan. 2002 p. 13.
- Edwin Watts Golf Catalog Father's Day 2003 p. 12.
- Edwin Watts Golf Catalog Jan. 2003 p. 4.
- Edwin Watts Golf Catalog Jan. 2004 p. 4.
- Edwin Watts Golf Catalog Spring 2004 p. 22.

* cited by examiner

Primary Examiner—Mitchell Siegel

(74) *Attorney, Agent, or Firm*—Banner & Witcoff, Ltd.

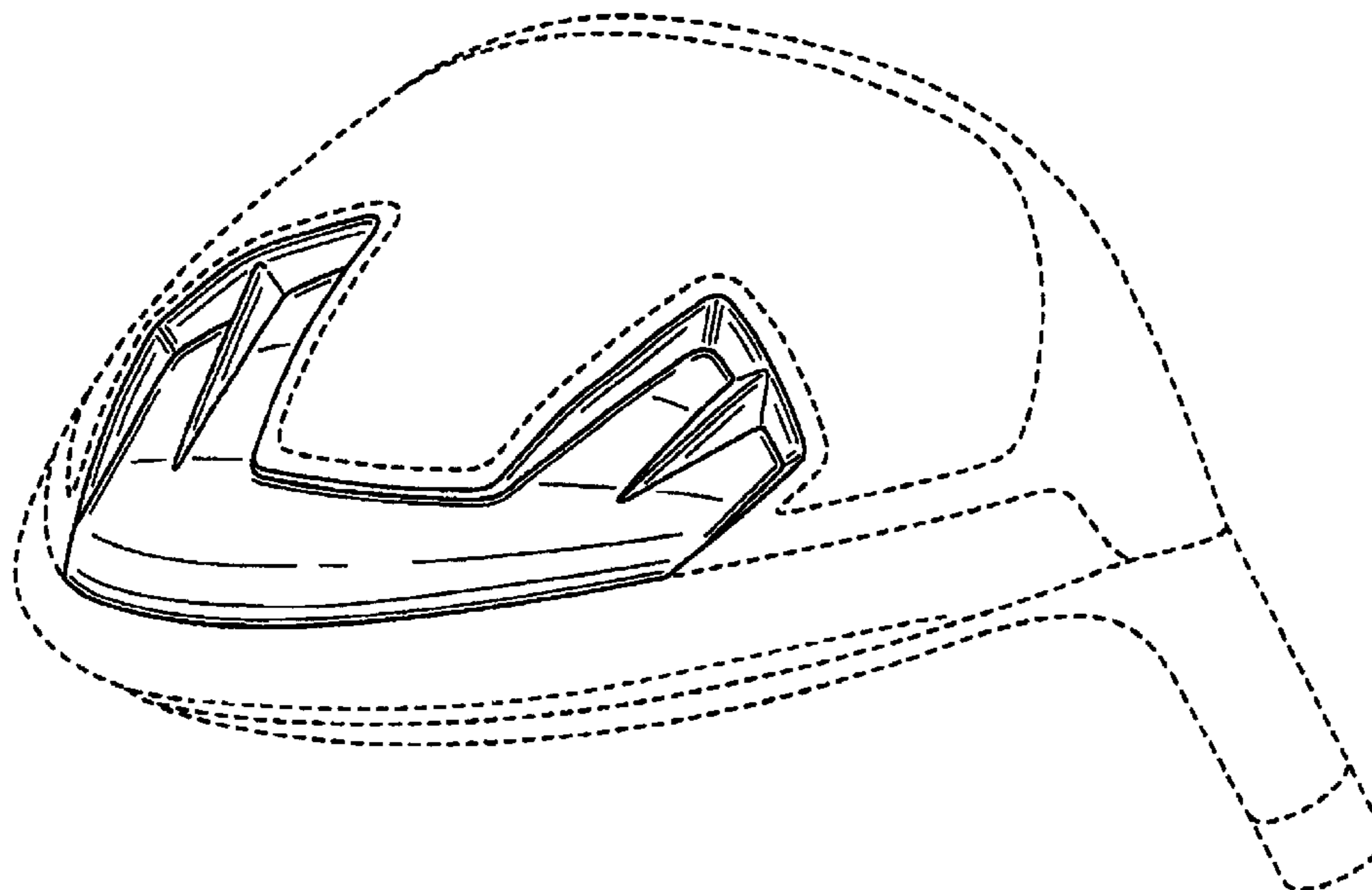
(57) **CLAIM**

The ornamental design for a portion of a golf club head, as shown and described.

DESCRIPTION

FIG. 1 is a bottom perspective view of a golf club head showing our new design;
 FIG. 2 is a bottom view thereof;
 FIG. 3 is a toe end view thereof;
 FIG. 4 is a heel end view thereof; and,
 FIG. 5 is a rear view thereof.
 The broken line showing of the remainder of the golf club head is for illustrative purposes only and forms no part of the claimed design.

1 Claim, 4 Drawing Sheets



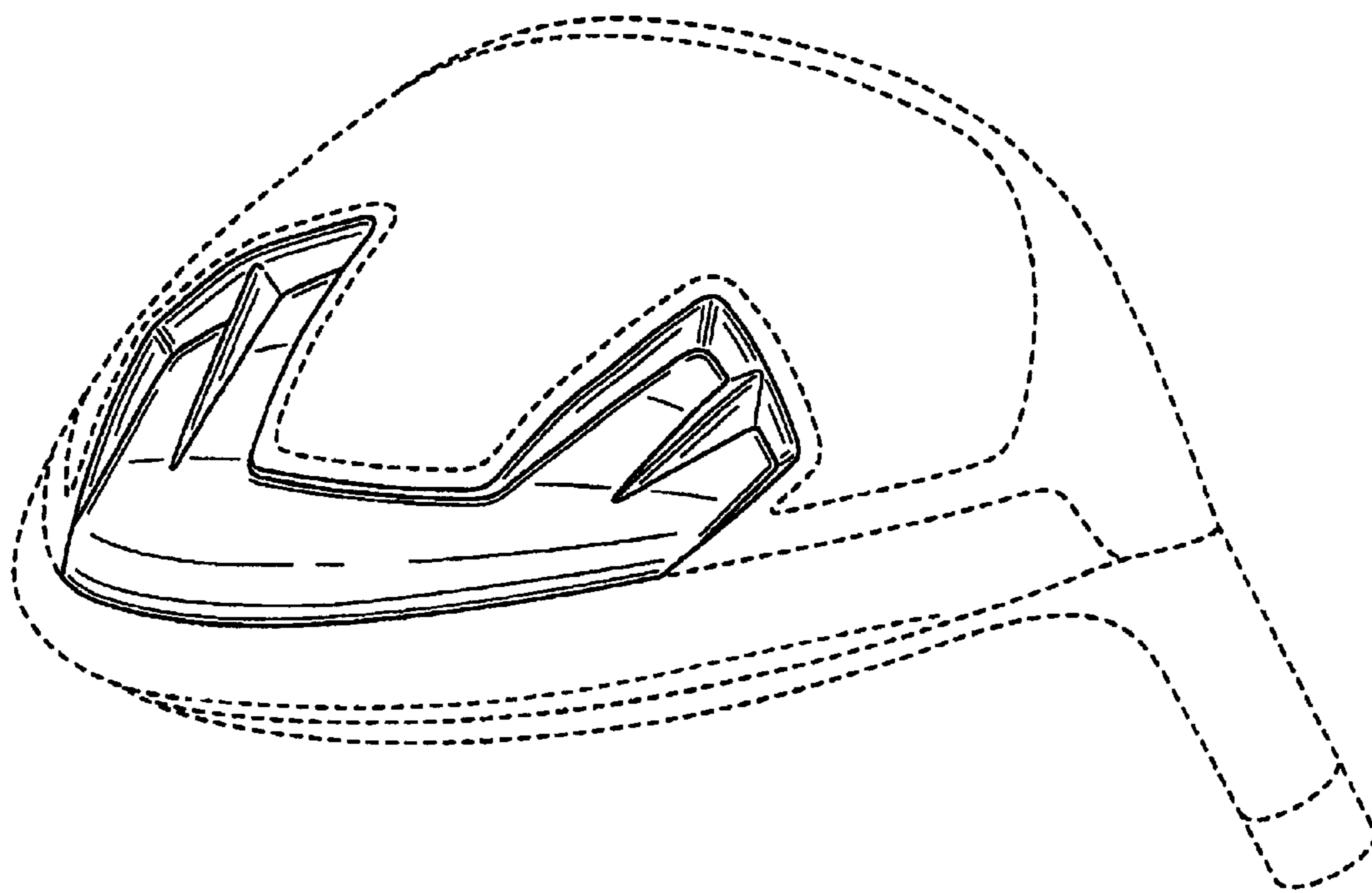


FIG. 1

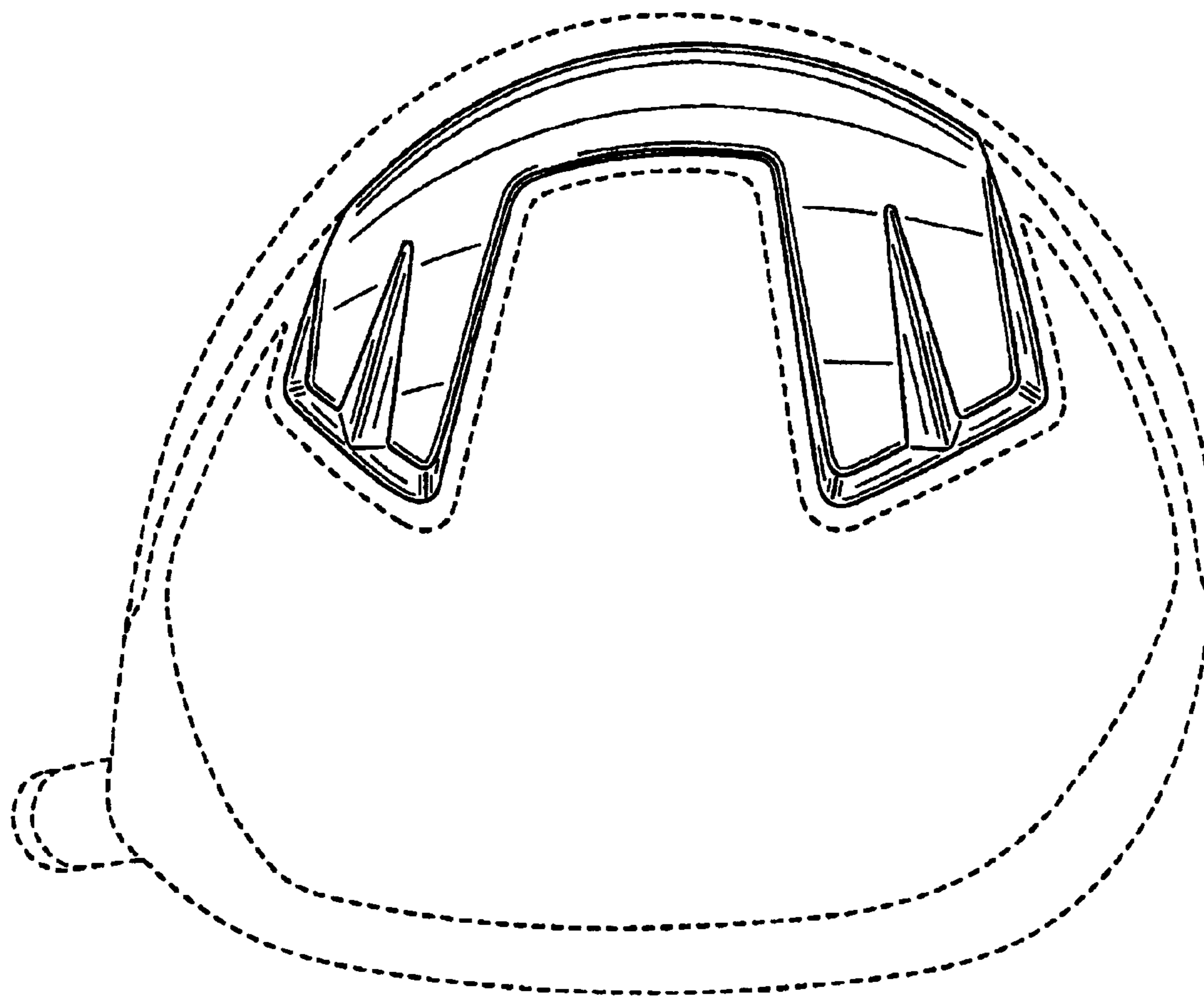


FIG. 2

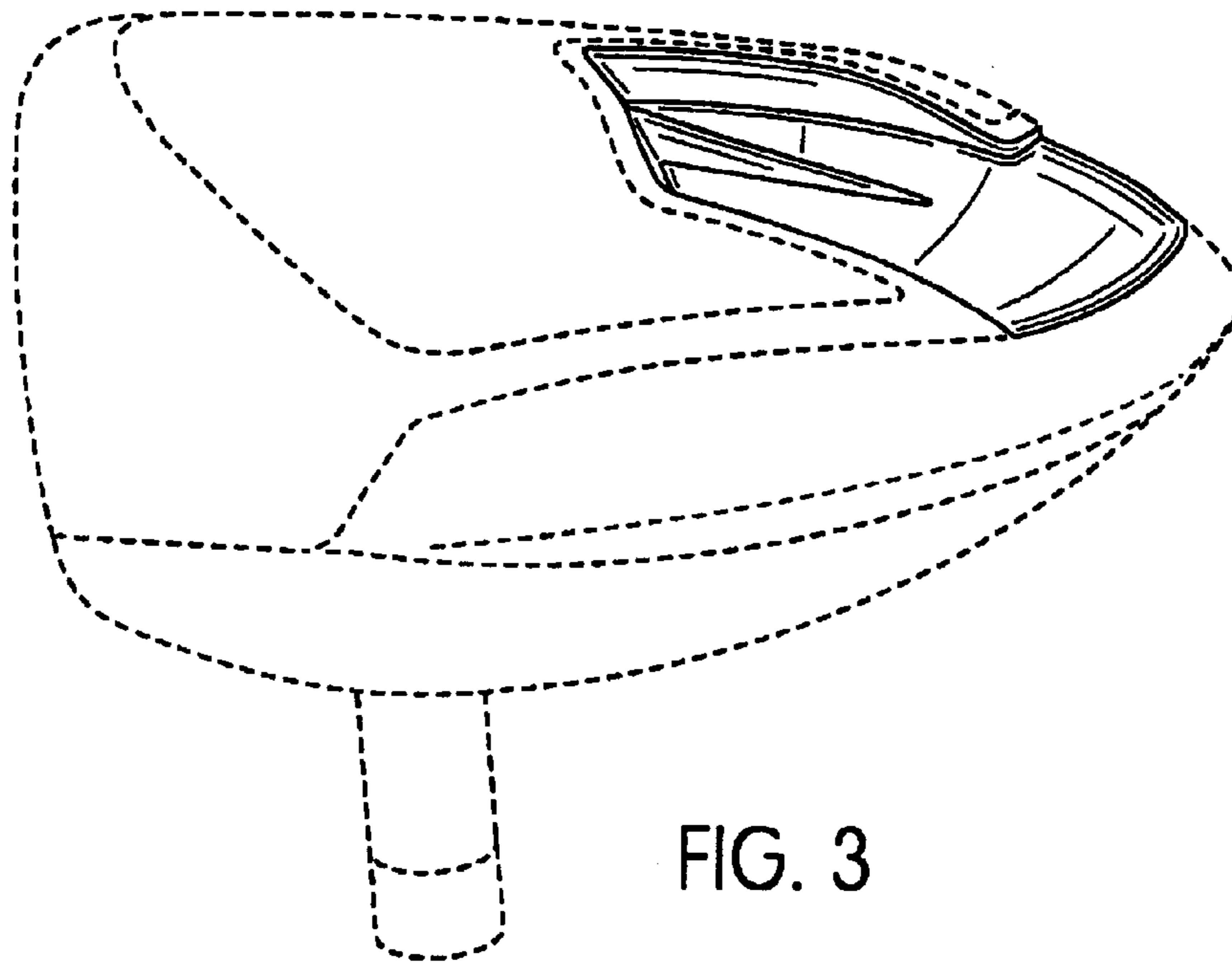


FIG. 3

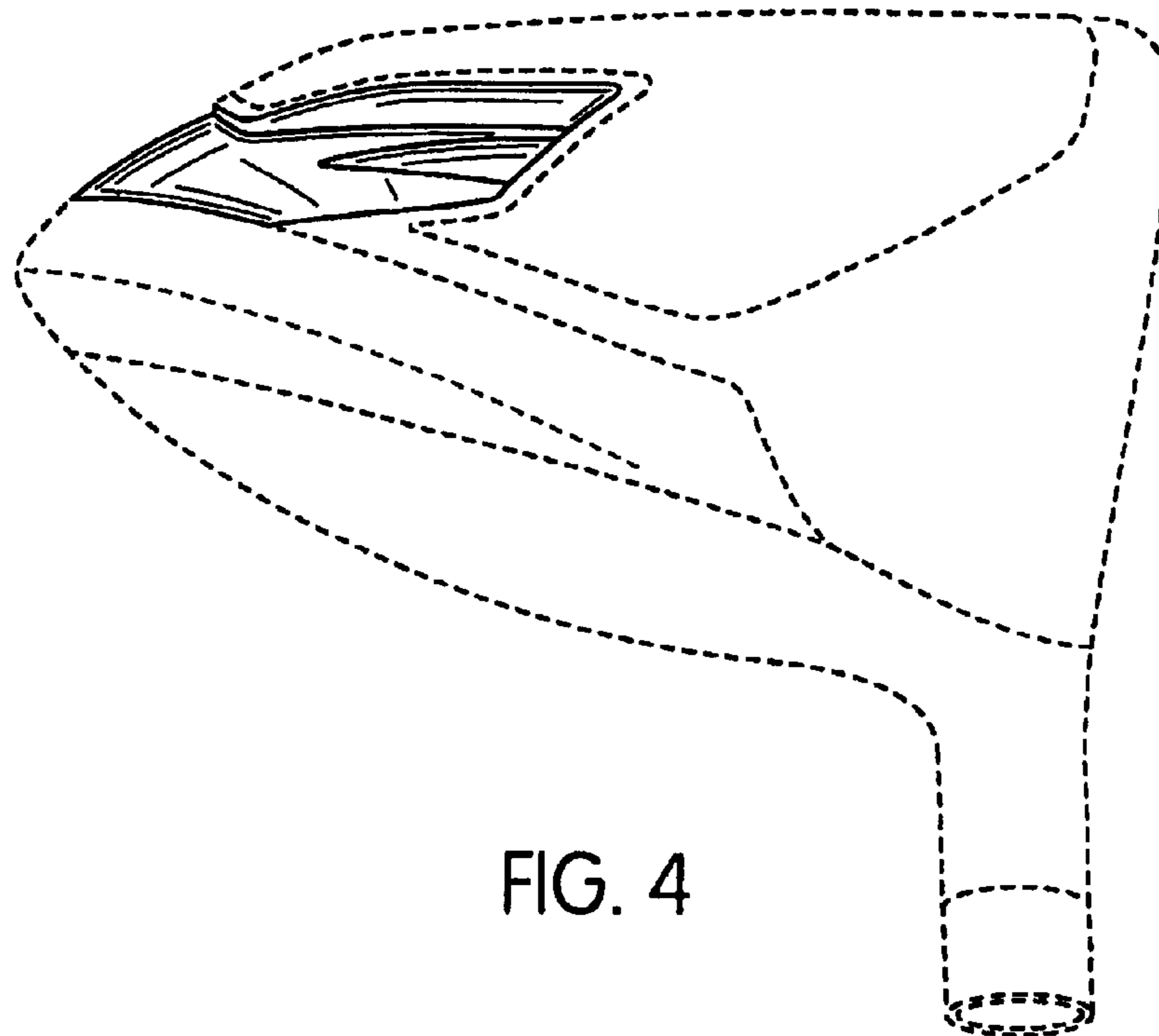


FIG. 4

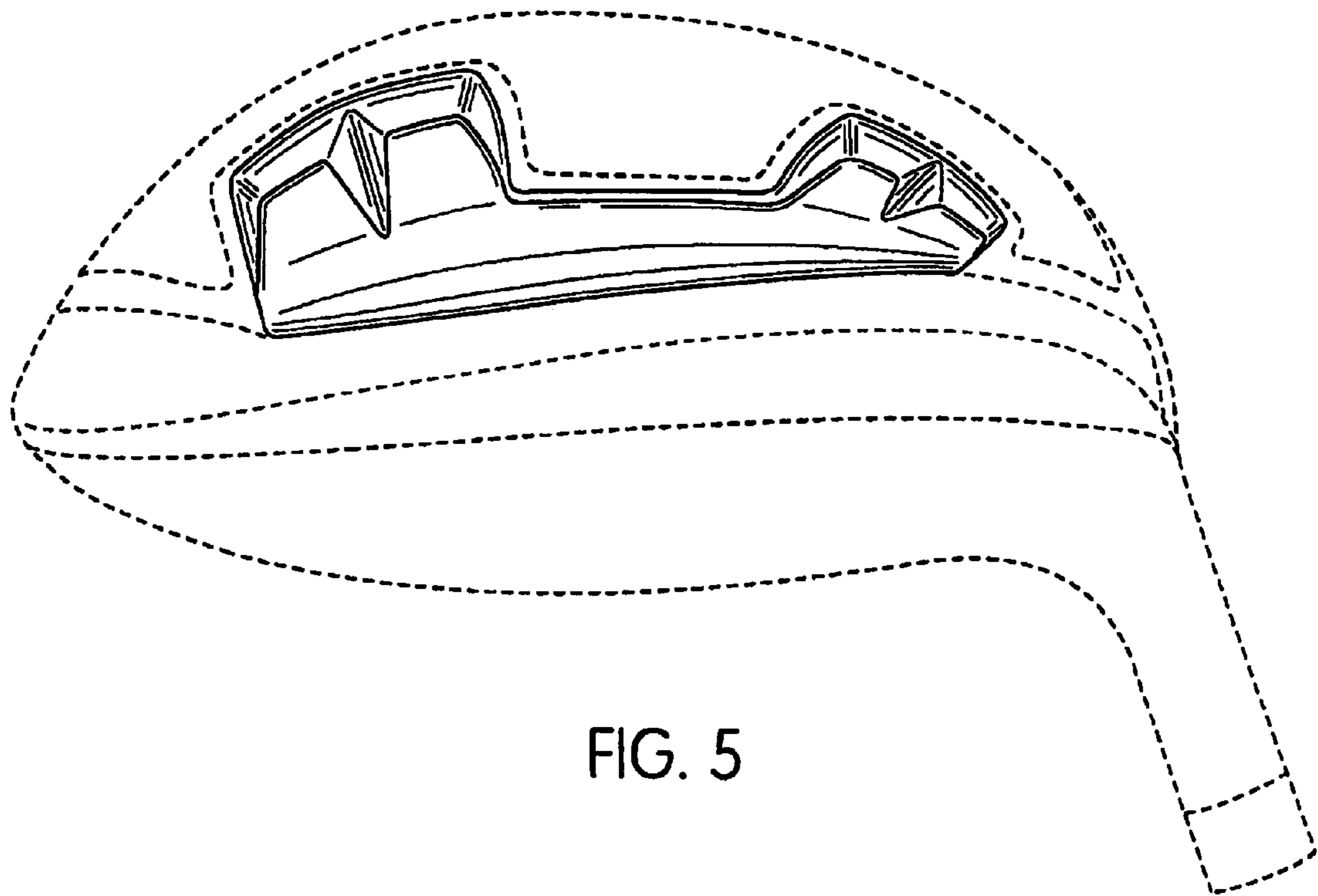


FIG. 5

UNITED STATES PATENT AND TRADEMARK OFFICE
CERTIFICATE OF CORRECTION

PATENT NO. : Des. 524,394 S
APPLICATION NO. : 29/243168
DATED : July 4, 2006
INVENTOR(S) : Carl L. Madore et al.

Page 1 of 1

It is certified that error appears in the above-identified patent and that said Letters Patent is hereby corrected as shown below:

On the Title page, in the References Cited section, under Other Publications:

“Edwin Watta Golf Shops Catalog” has been replaced with

--Edwin Watts Golf Shops Catalog--.

Signed and Sealed this

First Day of April, 2008

A handwritten signature in black ink that reads "Jon W. Dudas". The signature is written in a cursive style with a large, looped initial "J".

JON W. DUDAS

Director of the United States Patent and Trademark Office