

US00D524393S

(12) **United States Design Patent**
Madore et al.

(10) **Patent No.:** **US D524,393 S**
(45) **Date of Patent:** **** Jul. 4, 2006**

(54) **PORTION OF A GOLF CLUB HEAD**

(75) Inventors: **Carl L. Madore**, Portland, OR (US);
Andrew G. V. Oldknow, Beaverton,
OR (US)

(73) Assignee: **NIKE, Inc.**, Beaverton, OR (US)

(**) Term: **14 Years**

(21) Appl. No.: **29/243,167**

(22) Filed: **Nov. 22, 2005**

(51) **LOC (8) Cl.** **21-02**

(52) **U.S. Cl.** **D21/759**

(58) **Field of Classification Search** D21/733,
D21/752, 759; 473/324-331, 343-346
See application file for complete search history.

(56) **References Cited**

U.S. PATENT DOCUMENTS

D350,176 S	8/1994	Antonious	
D379,391 S	* 5/1997	Moore	D21/752
D396,512 S	7/1998	Besnard et al.	
D398,682 S	* 9/1998	Moore	D21/733
D399,289 S	10/1998	Sheets et al.	
D401,989 S	12/1998	Sheets et al.	
D402,339 S	12/1998	Sheets et al.	
D402,340 S	12/1998	Sheets et al.	
D425,953 S	* 5/2000	Glod	D21/759
D461,513 S	8/2002	Madore et al.	
D461,865 S	8/2002	Nagai et al.	
D469,836 S	* 2/2003	Mendralla et al.	D21/759
D472,950 S	4/2003	Burnett et al.	
D479,867 S	9/2003	Saliba et al.	
D490,489 S	5/2004	Madore	
D492,745 S	7/2004	Tang	
D492,971 S	7/2004	Madore	
D492,972 S	7/2004	Madore	
D492,973 S	7/2004	Madore	

D492,974 S	7/2004	Madore	
D508,544 S	8/2005	Madore	
D509,870 S	* 9/2005	Madore	D21/759
D511,362 S	* 11/2005	Madore	D21/759
D511,552 S	* 11/2005	Bingman	D21/759

OTHER PUBLICATIONS

- Goldsmith Special Mid-Year Components Catalog Jul. 1997 pp. 13 and 15.
- Golfsmith Catalog 1996 p. 72.
- Goldsmith Mid-Year Catalog 1996 p. 3.
- Edwin Watts Golf Shops Catalog Late Summer 1998 p. 20.
- Golfsmith Catalog 1998 p. 62.
- Edwin Watts Golf Catalog Jan. 2002 p. 13.
- Edwin Watts Golf Catalog Father's Day 2003 p. 12.
- Edwin Watts Golf Catalog Jan. 2003 p. 4.
- Edwin Watts Golf Catalog Jan. 2004 p. 4.
- Edwin Watts Golf Catalog Spring 2004 p. 22.

* cited by examiner

Primary Examiner—Mitchell Siegel

(74) *Attorney, Agent, or Firm*—Banner & Witcoff, Ltd.

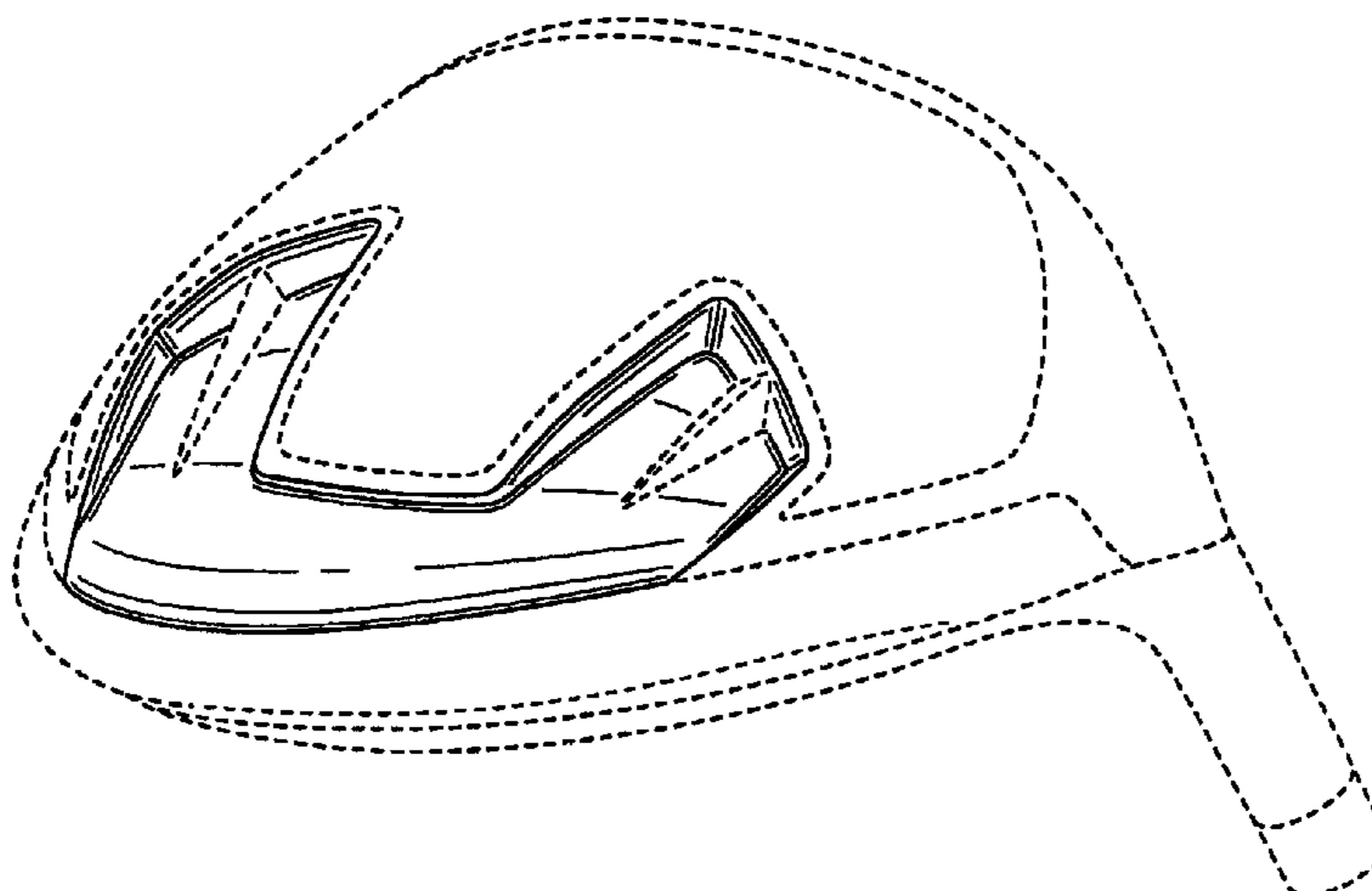
(57) **CLAIM**

The ornamental design for a portion of a golf club head, as shown and described.

DESCRIPTION

FIG. 1 is a bottom perspective view of a golf club head showing our new design;
 FIG. 2 is a bottom view thereof;
 FIG. 3 is a toe end view thereof;
 FIG. 4 is a heel end view thereof; and,
 FIG. 5 is a rear view thereof.
 The broken line showing of the fins within the shaded region and the remainder of the golf club head is for illustrative purposes only and forms no part of the claimed design.

1 Claim, 4 Drawing Sheets



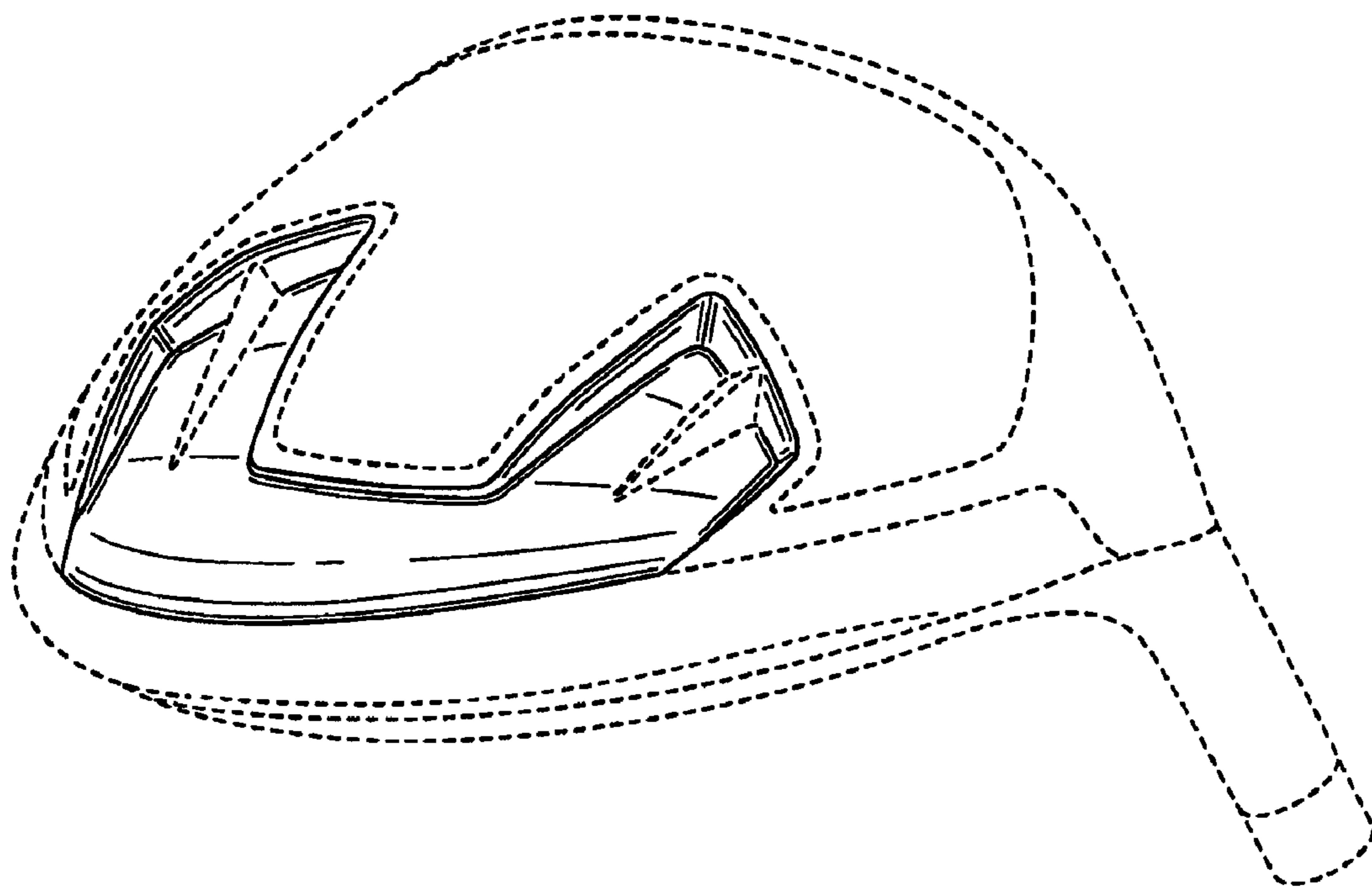


FIG. 1

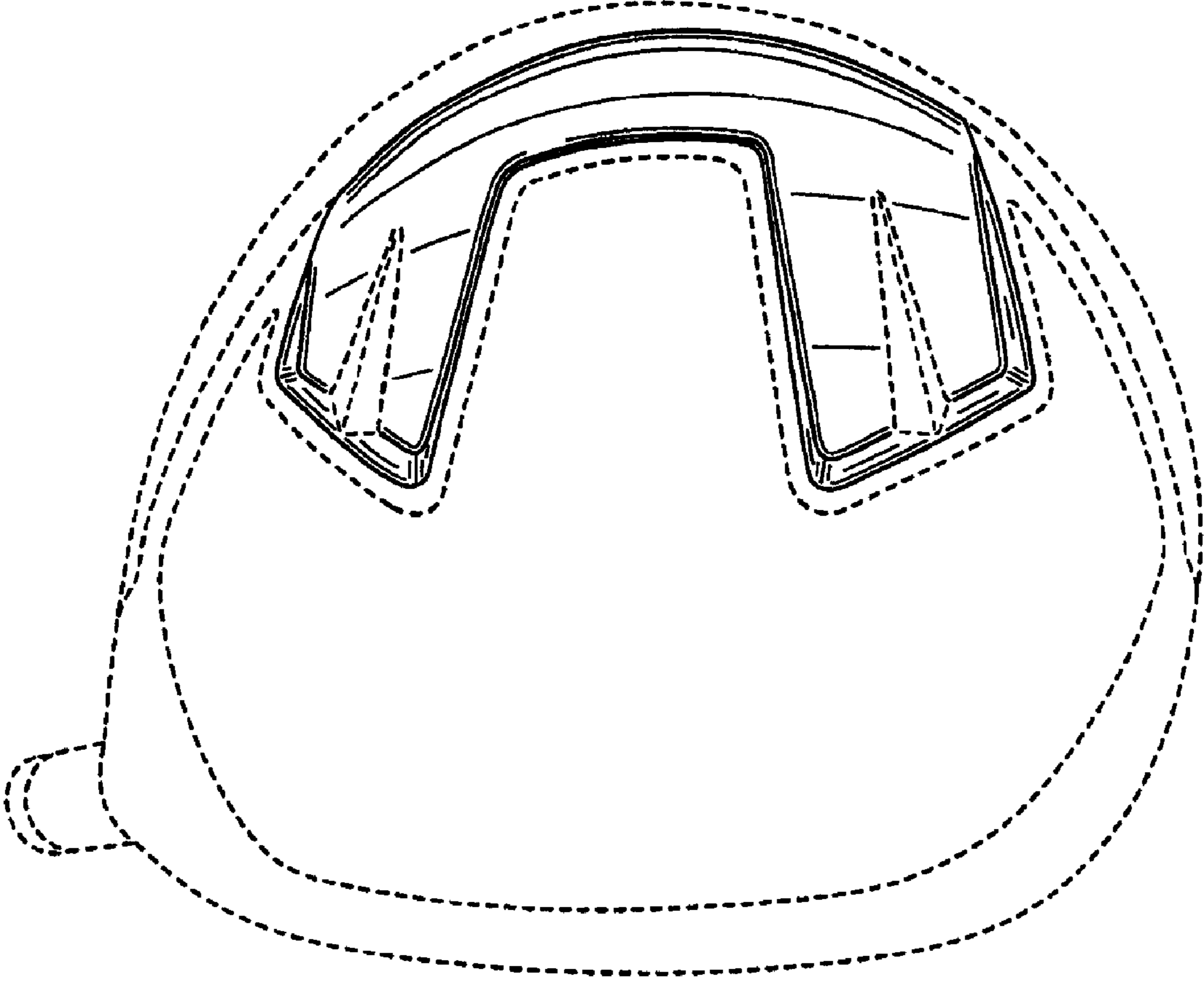


FIG. 2

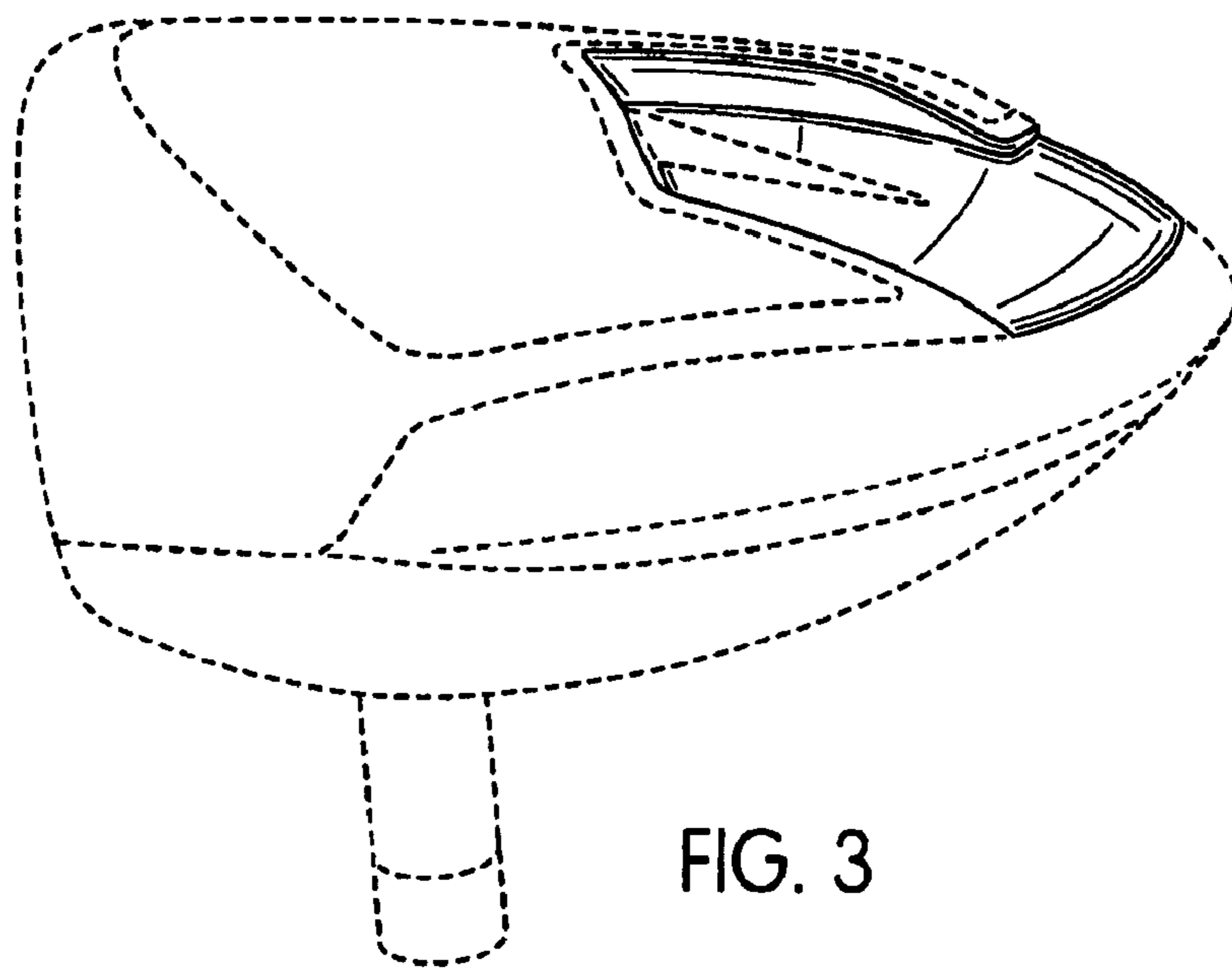


FIG. 3

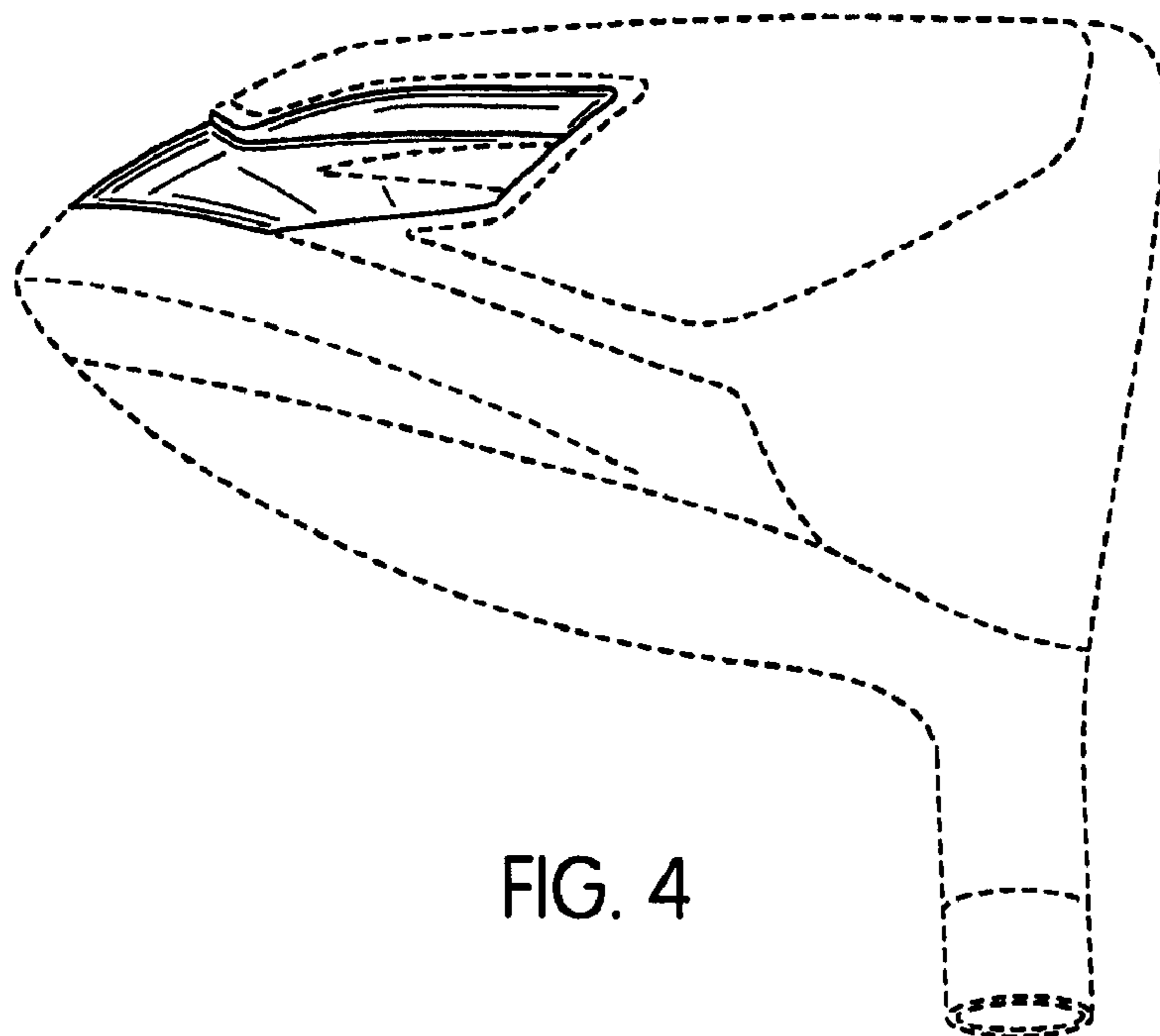


FIG. 4

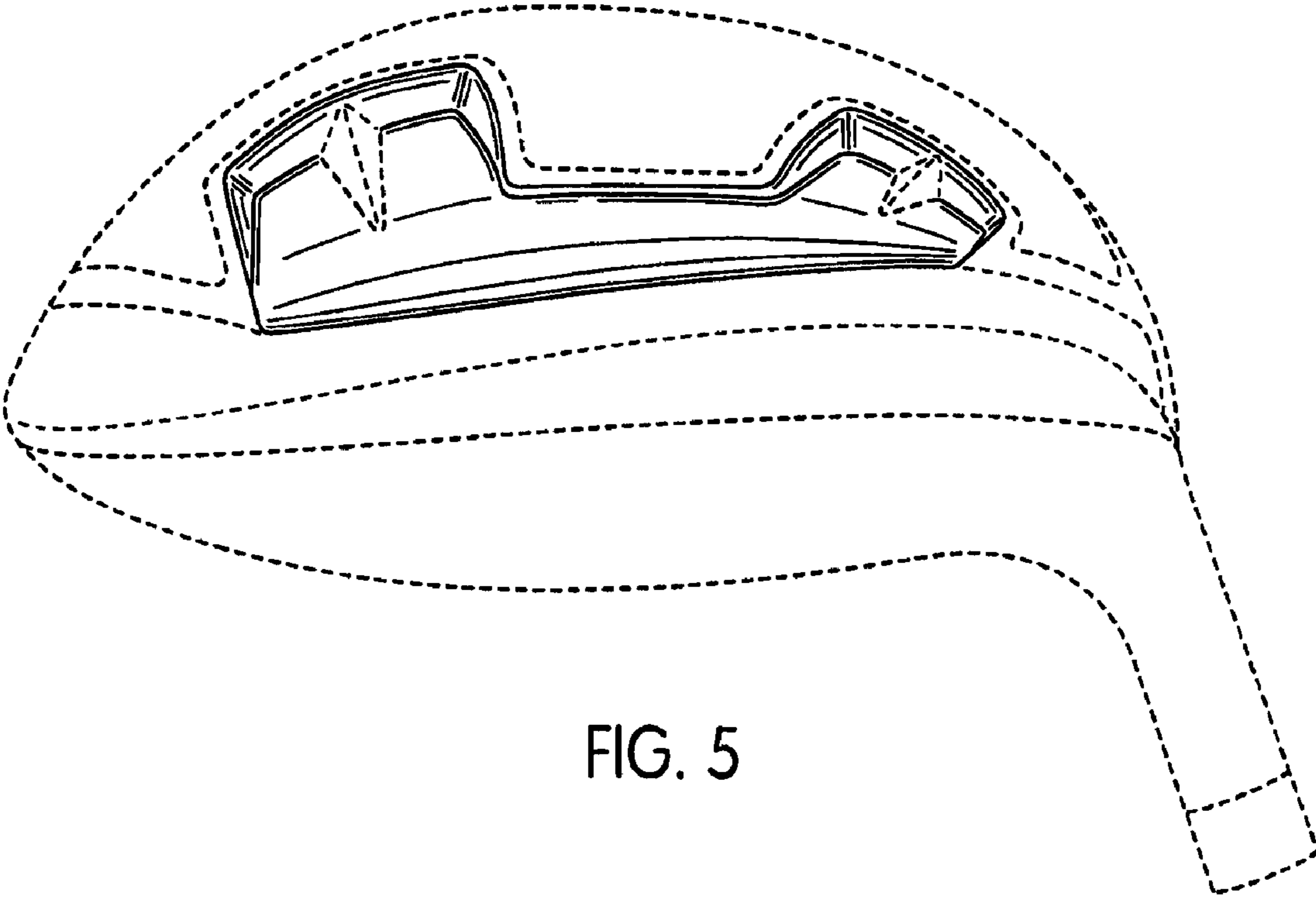


FIG. 5