



US00D524387S

(12) **United States Design Patent**
Burrows

(10) **Patent No.:** **US D524,387 S**

(45) **Date of Patent:** **** Jul. 4, 2006**

(54) **GOLF CLUB PUTTER HEAD**

(76) Inventor: **Bruce D. Burrows**, 25555 W. Avenue,
Stanford, Valencia, CA (US)
91355-1101

(**) Term: **14 Years**

(21) Appl. No.: **29/212,986**

(22) Filed: **Sep. 10, 2004**

(51) **LOC (8) Cl.** **21-02**

(52) **U.S. Cl.** **D21/736**

(58) **Field of Classification Search** D21/733-752,
D21/759; 473/324-331, 340-350
See application file for complete search history.

(56) **References Cited**

U.S. PATENT DOCUMENTS

D202,715 S	11/1965	Solheim	
4,962,932 A	10/1990	Anderson	
5,013,041 A	5/1991	Sun et al.	
5,489,097 A	2/1996	Simmons	
5,501,453 A	3/1996	Hurst	
5,527,035 A	6/1996	Marshall	
5,577,965 A	11/1996	Burgess	
5,655,976 A	8/1997	Rife	
5,707,299 A	1/1998	McKenna	
D390,295 S	* 2/1998	Burrows D21/752
5,749,790 A	5/1998	Van Alen, II et al.	
D397,749 S	* 9/1998	Burrows D21/733

D401,652 S	* 11/1998	Burrows D21/748
5,865,687 A	2/1999	Alzano	
D413,642 S	* 9/1999	Burrows D21/752
6,015,354 A	1/2000	Ahn et al.	
6,440,006 B1	8/2002	Johnson	
6,595,870 B1	7/2003	Stites et al.	
D488,200 S	* 4/2004	Olsavsky et al. D21/743
D507,029 S	* 7/2005	Burrows D21/747
2003/0125128 A1	7/2003	Reeves	
2003/0144077 A1	7/2003	Cullen	
2004/0038748 A1	2/2004	Bennett	
2004/0110575 A1	6/2004	Stites et al.	

* cited by examiner

Primary Examiner—Mitchell Siegel
(74) *Attorney, Agent, or Firm*—Ice Miller

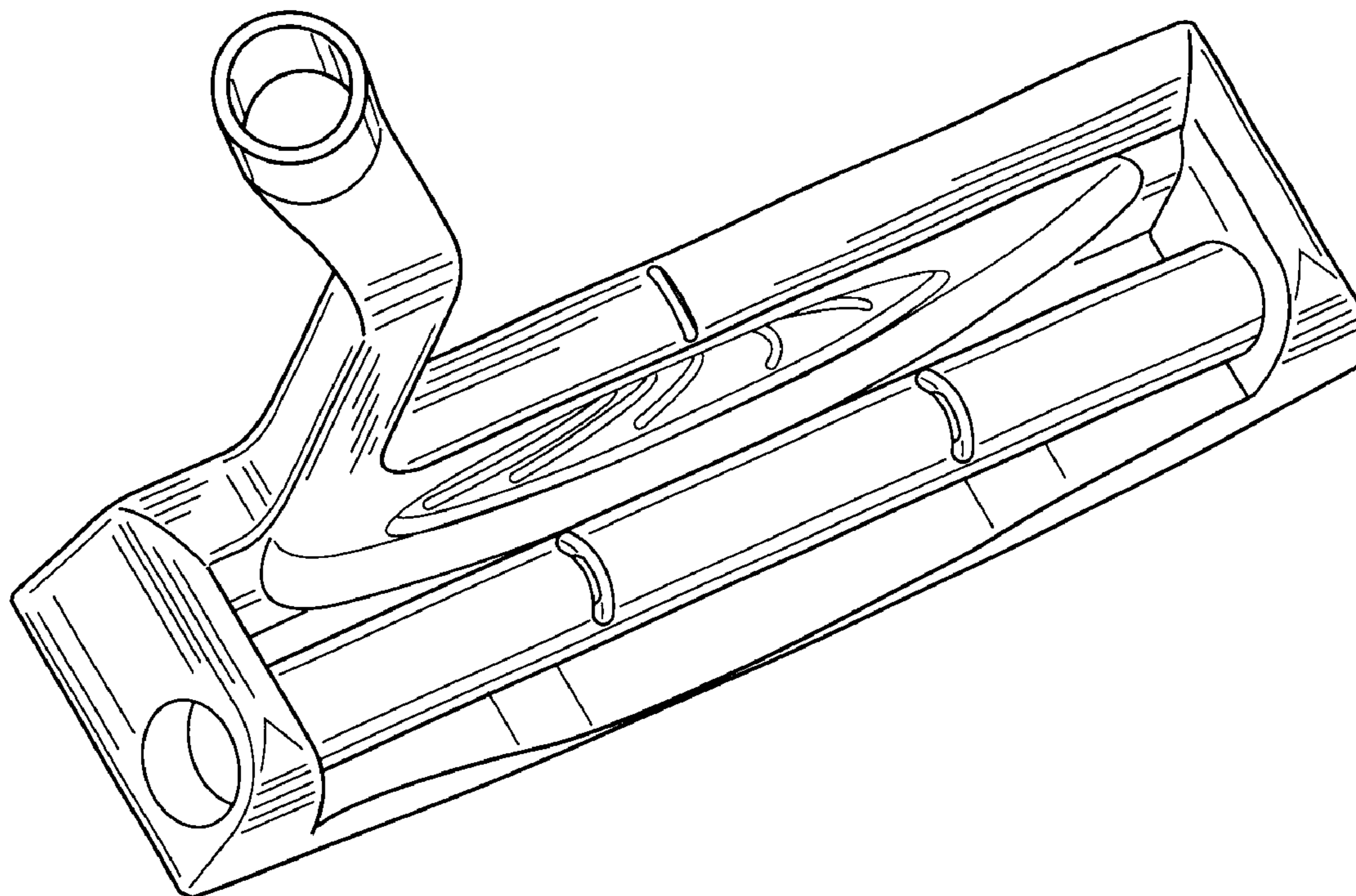
(57) **CLAIM**

The ornamental design for a golf club putter head, as shown and described.

DESCRIPTION

FIG. 1 is a perspective showing the top, rear and heel sides of a golf club putter head embodying the new design; FIG. 2 is a rear elevation view thereof; FIG. 3 is a front plan view thereof; FIG. 4 is a toe end elevation view thereof; FIG. 5 is a heel end elevation view thereof; FIG. 6 is a top plan view thereof; and, FIG. 7 is a bottom plan view thereof.

1 Claim, 3 Drawing Sheets



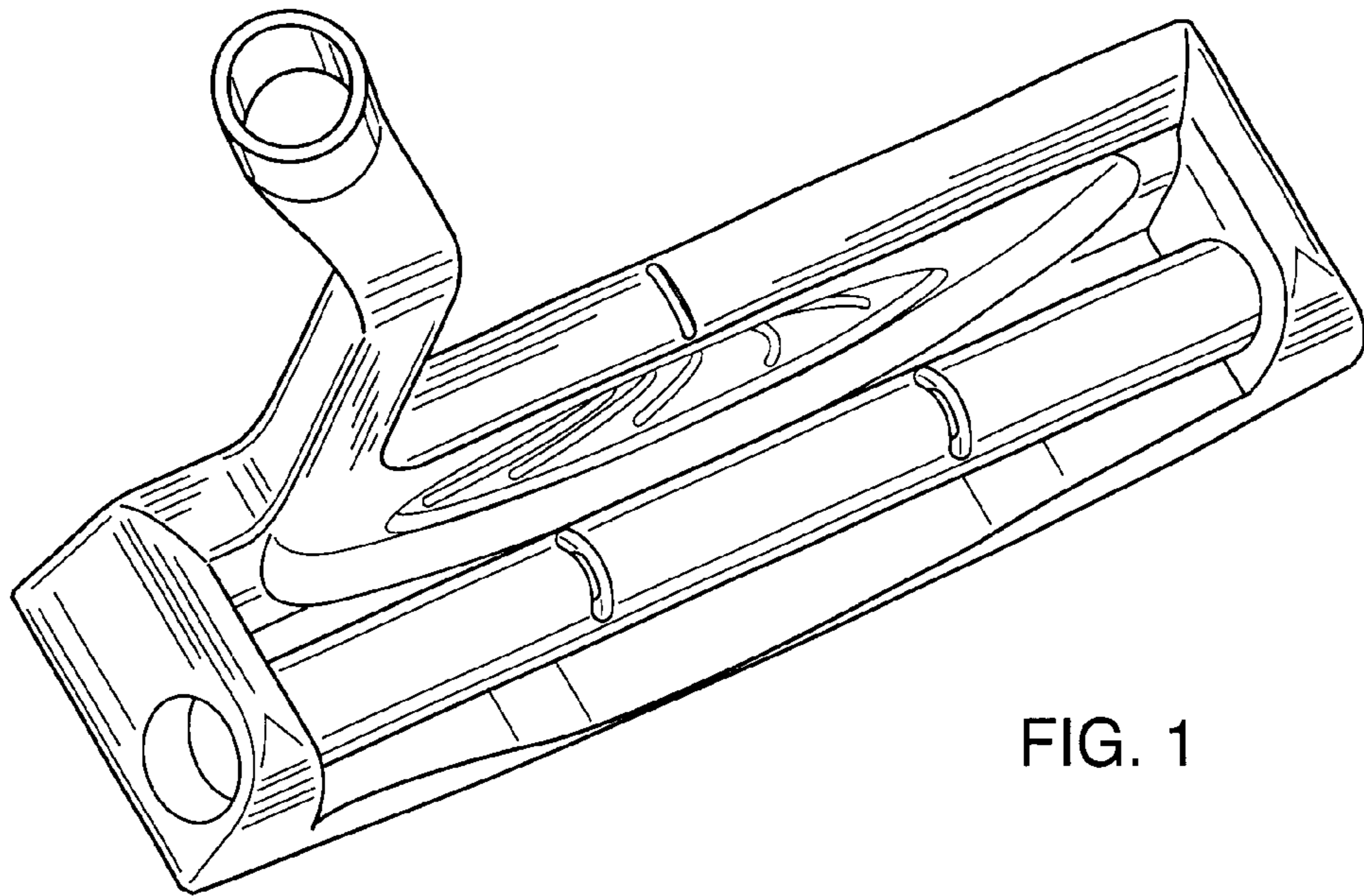


FIG. 1

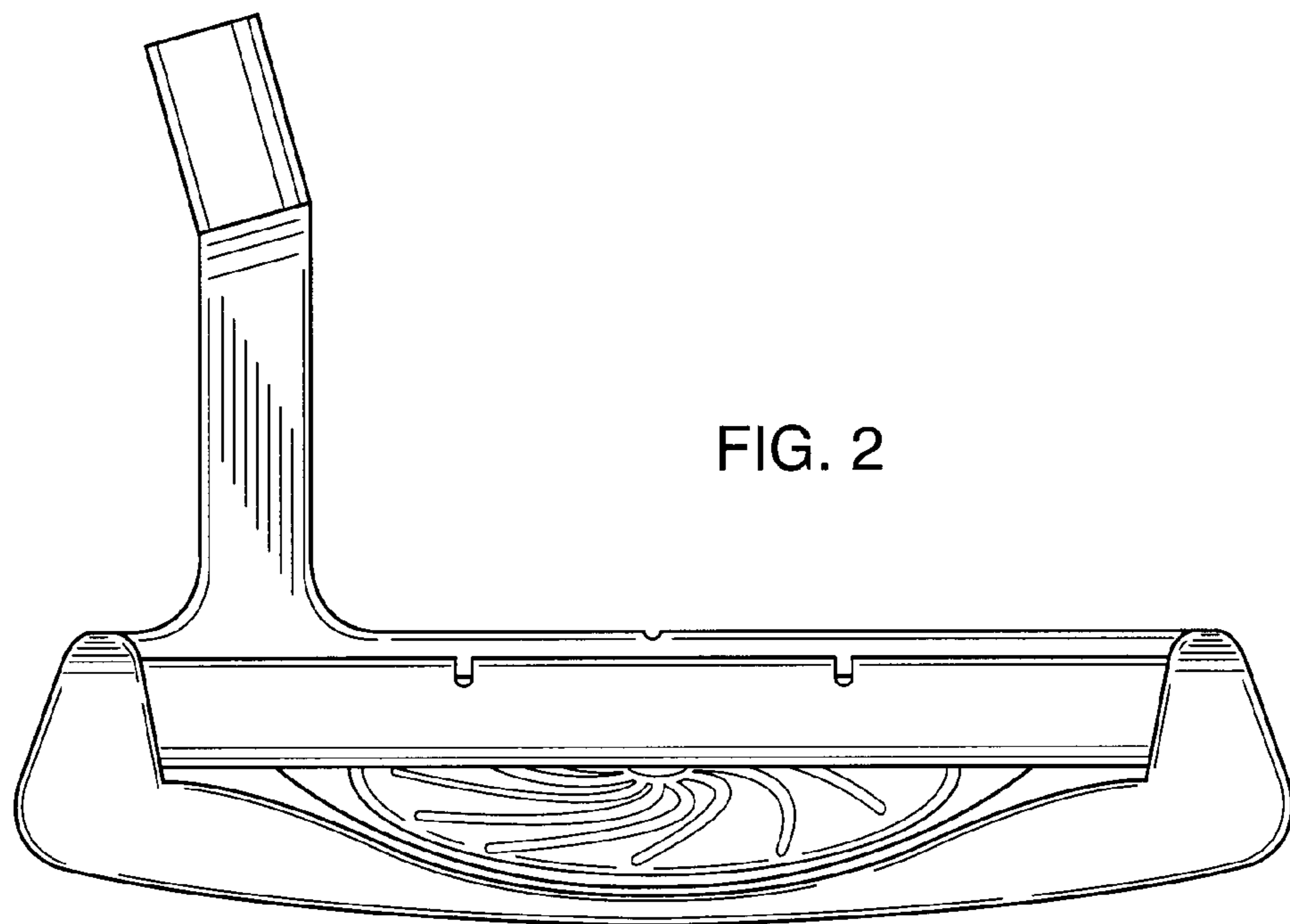
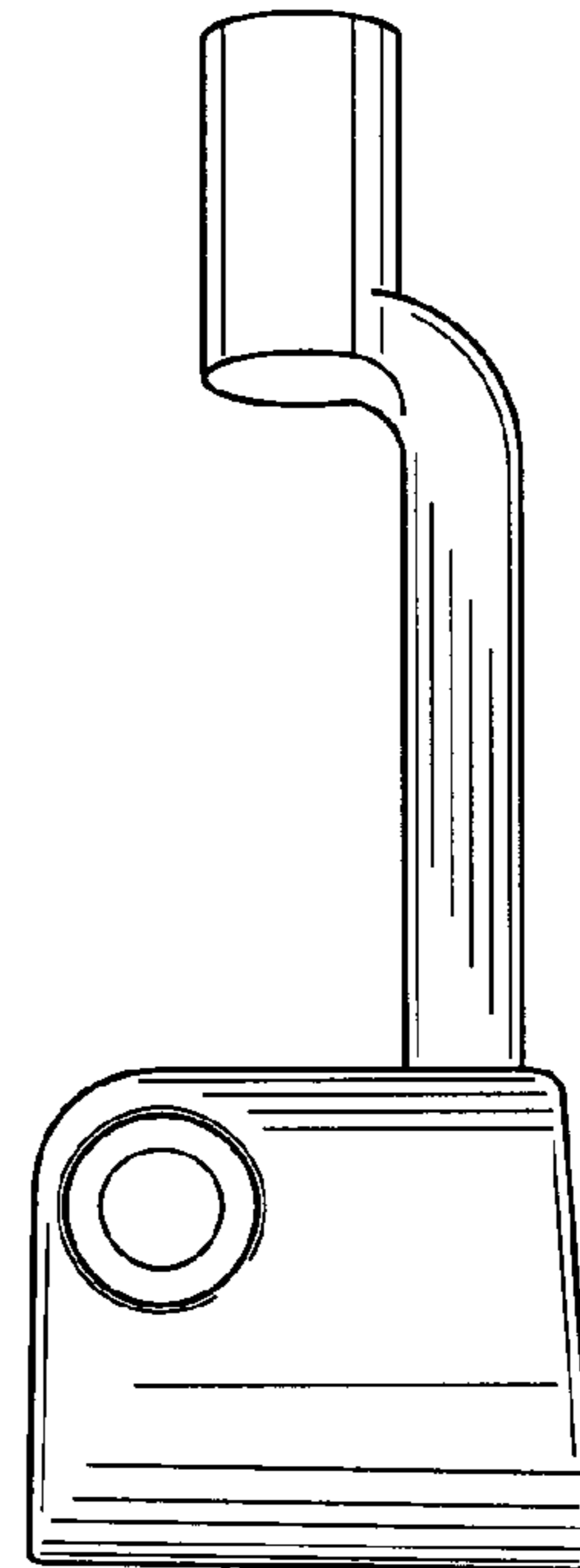
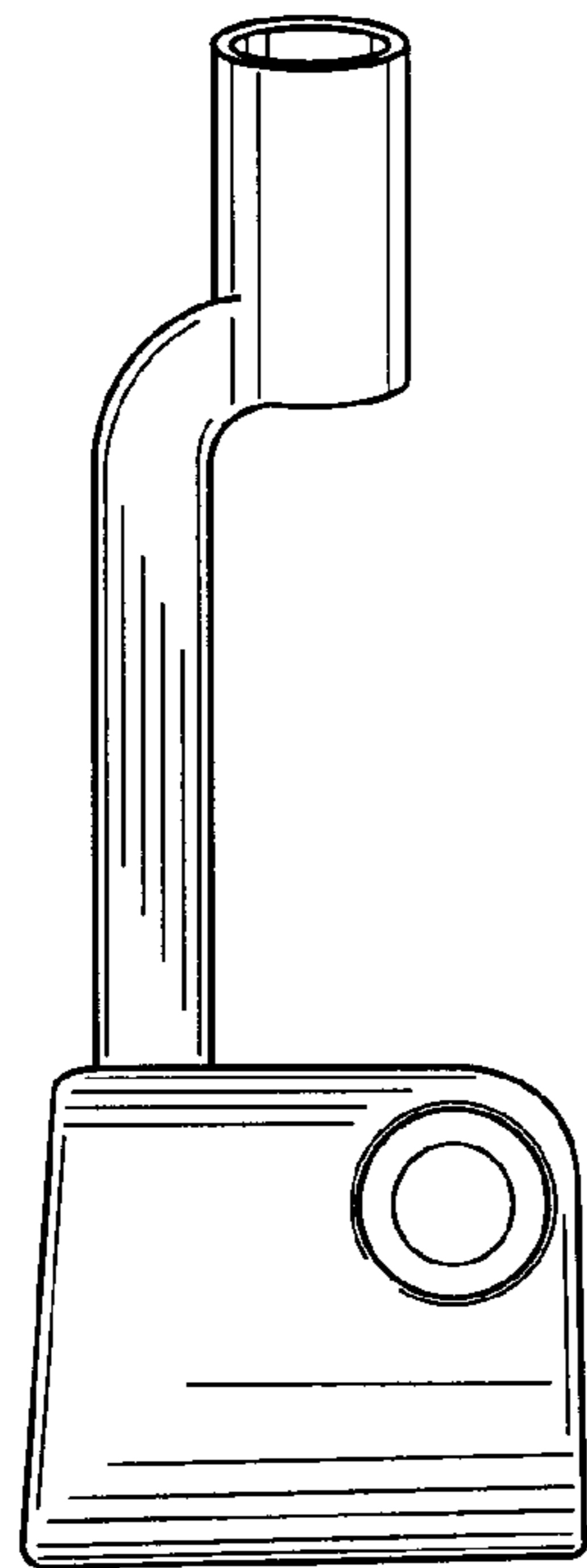
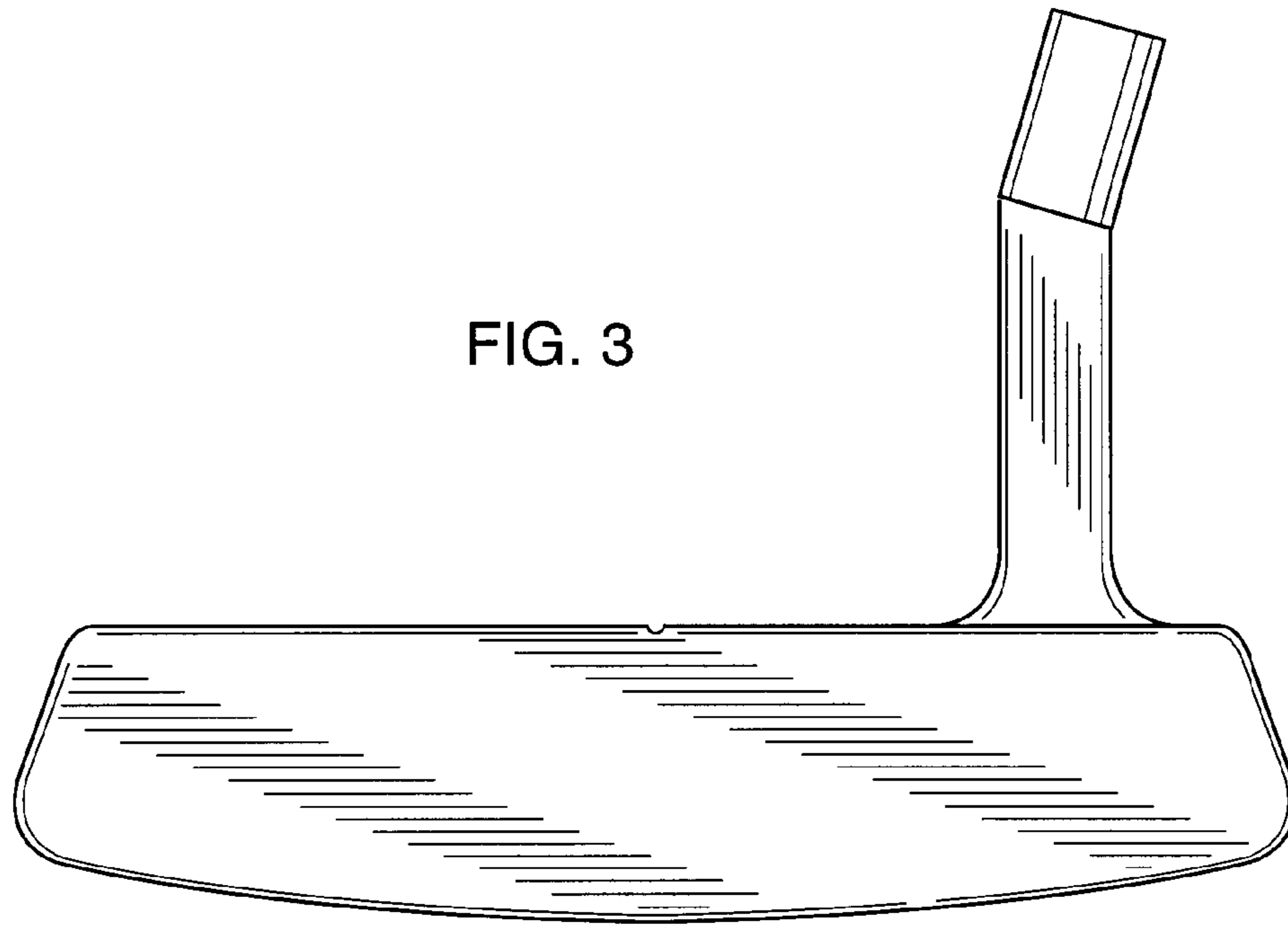


FIG. 2



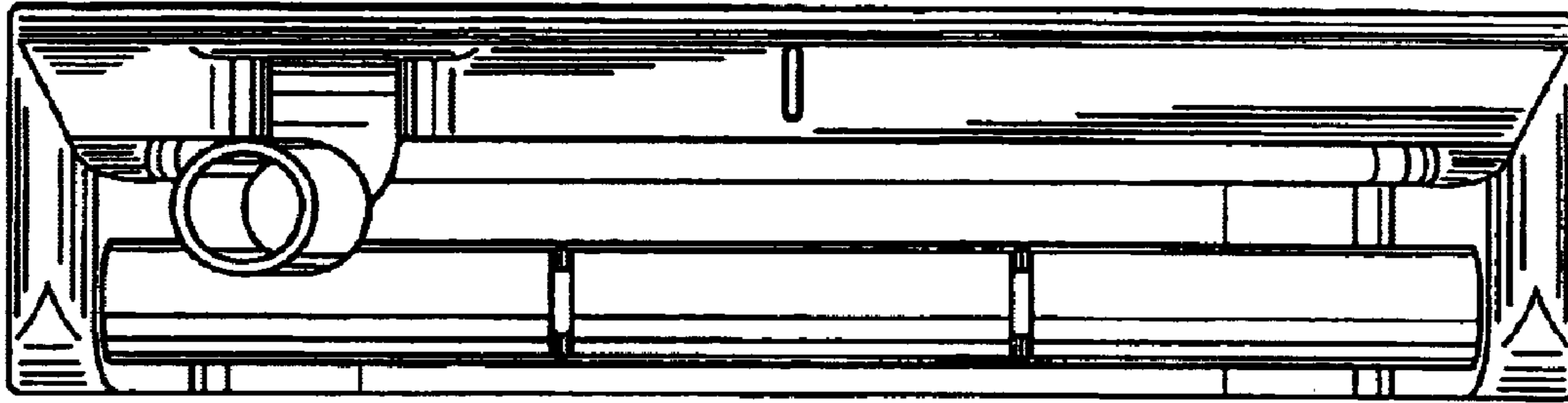


FIG. 6

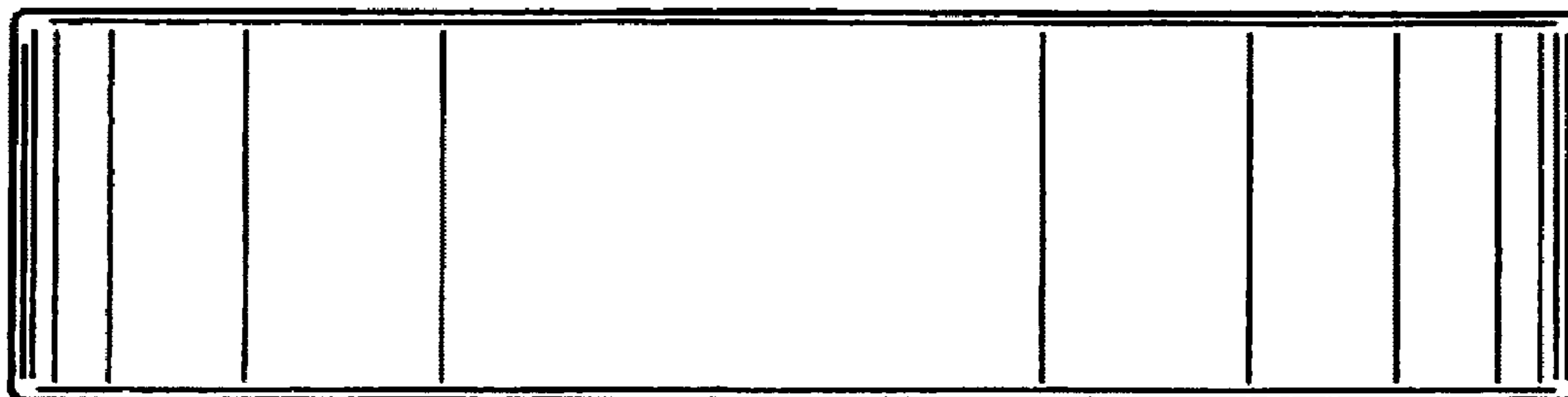


FIG. 7