

US00D524386S

(12) **United States Design Patent**  
**Niwa**

(10) **Patent No.:** **US D524,386 S**  
(45) **Date of Patent:** **\*\* Jul. 4, 2006**

(54) **GOLF CLUB**

(75) Inventor: **Katsumi Niwa**, Nagoya (JP)

(73) Assignee: **Yugenkaisha Kotobukinihachi**,  
Nagoya (JP)

(\*\*) Term: **14 Years**

(21) Appl. No.: **29/199,725**

(22) Filed: **Feb. 19, 2004**

(30) **Foreign Application Priority Data**

Aug. 25, 2003 (JP) ..... 2003-024433

(51) **LOC (8) Cl.** ..... **21-02**

(52) **U.S. Cl.** ..... **D21/736**

(58) **Field of Classification Search** ..... D21/736-746;  
473/324-331, 340, 341, 251-256

See application file for complete search history.

(56) **References Cited**

**U.S. PATENT DOCUMENTS**

D207,538 S	*	5/1967	Burkland	.....	D21/738
D207,539 S	*	5/1967	Burkland	.....	D21/738
D217,567 S	*	5/1970	Williams	.....	D21/738
D226,107 S	*	1/1973	Indovins	.....	D21/738
D255,592 S	*	6/1980	Krysakowski	.....	D21/738

\* cited by examiner

*Primary Examiner*—Mitchell Siegel

(74) *Attorney, Agent, or Firm*—Davis & Bujold, P.L.L.C.

(57) **CLAIM**

I claim the ornamental design for a golf club, as shown and described.

**DESCRIPTION**

FIG. 1 is a front elevational view of a striking face of a golf club with the remaining elements of the golf club and the golf shaft shown in broken lines;

FIG. 2 is a rear elevational view of the striking face of the golf club thereof;

FIG. 3 is a top plan view of the striking face of the golf club thereof;

FIG. 4 is a bottom plan view of the striking face of the golf club thereof;

FIG. 5 is a left side view of the striking face of the golf club thereof;

FIG. 6 is a right side view of the striking face of the golf club thereof;

FIG. 7 is a front elevation view of a striking face of a golf club with the remaining elements of the golf club shown in broken lines;

FIG. 8 is a rear elevation view of the striking face of the golf club of FIG. 7;

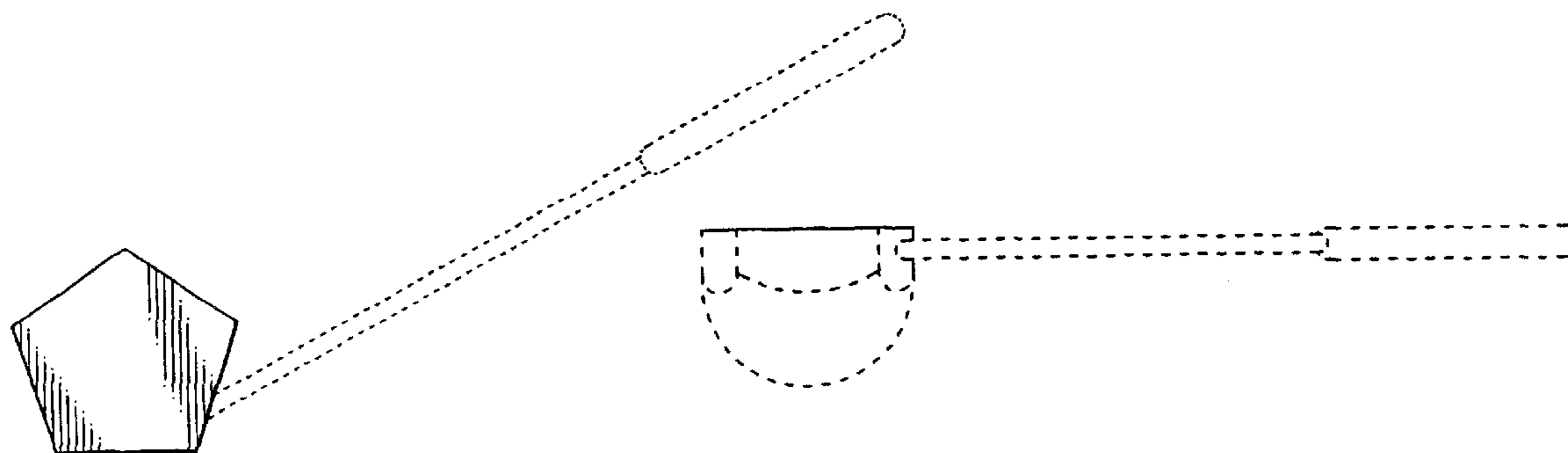
FIG. 9 is a top plan view of the striking face of the golf club of FIG. 7;

FIG. 10 is a bottom plan view of the striking face of the golf club of FIG. 7;

FIG. 11 is a left side view of the striking face of the golf club of FIG. 7; and

FIG. 12 is a right side view of the striking face of the golf club of FIG. 7.

**1 Claim, 2 Drawing Sheets**



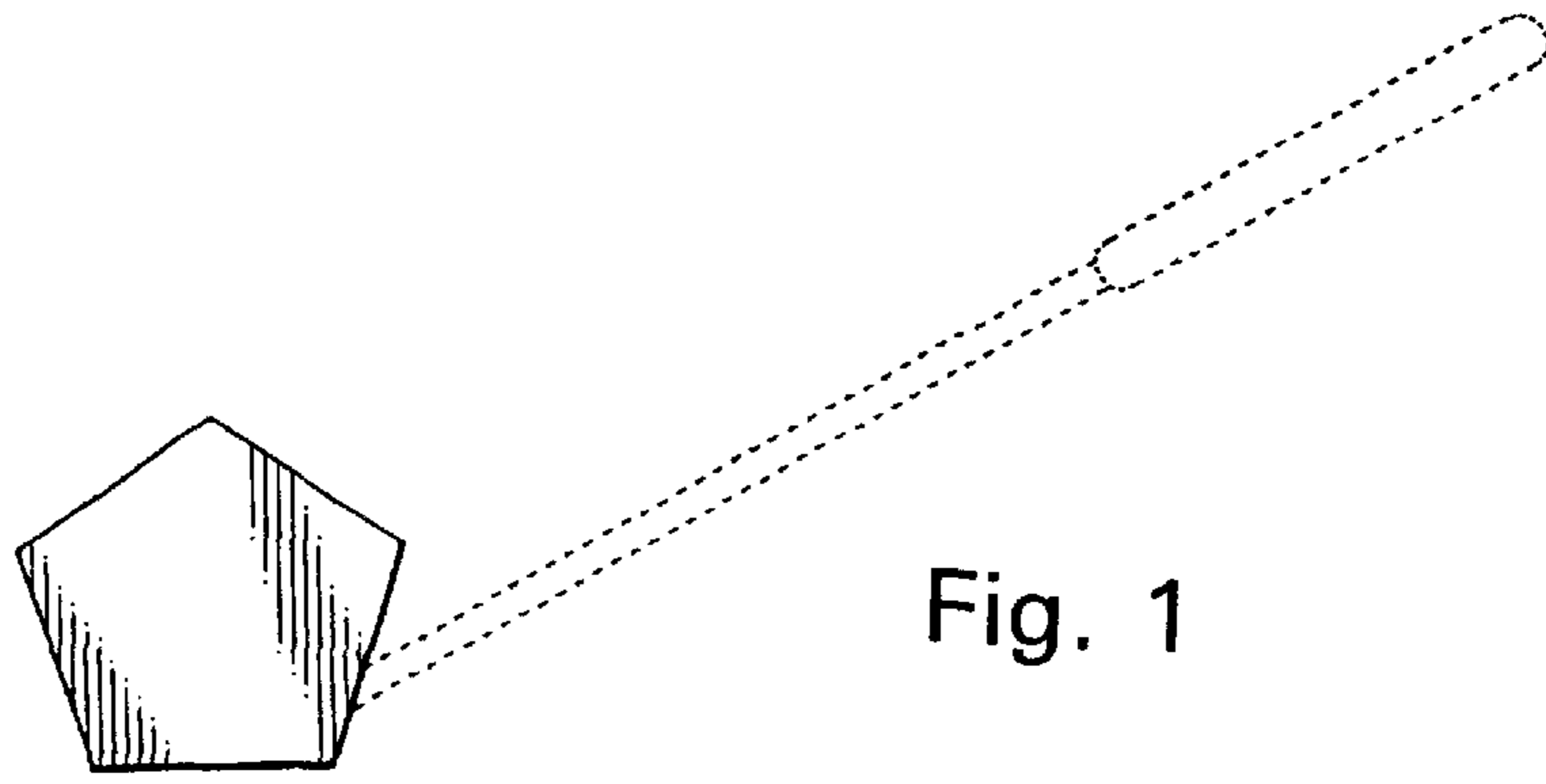


Fig. 1

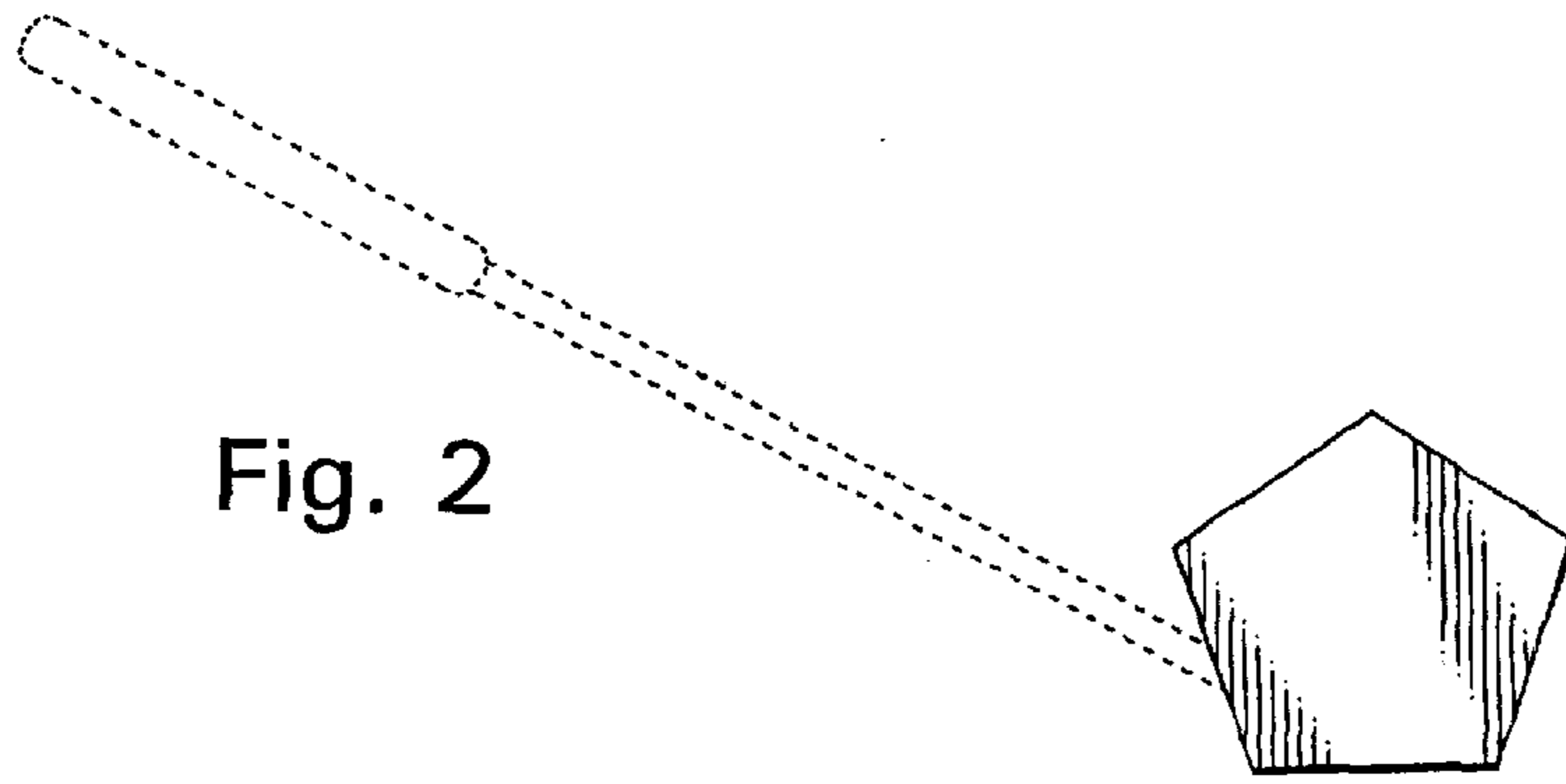


Fig. 2



Fig. 3

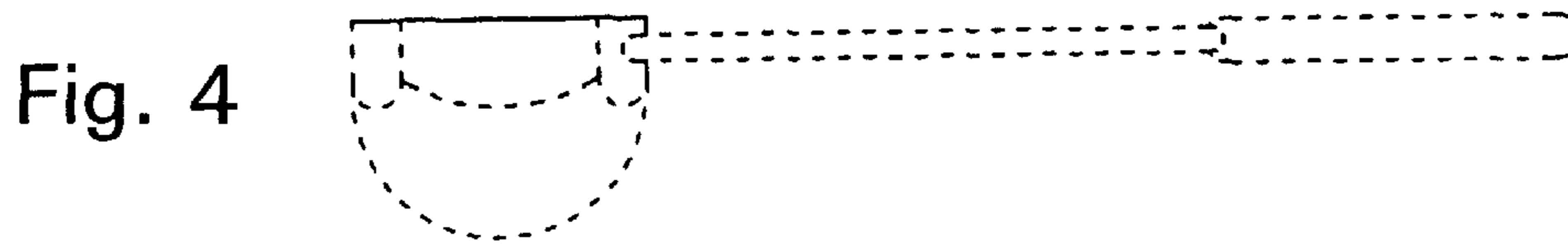


Fig. 4

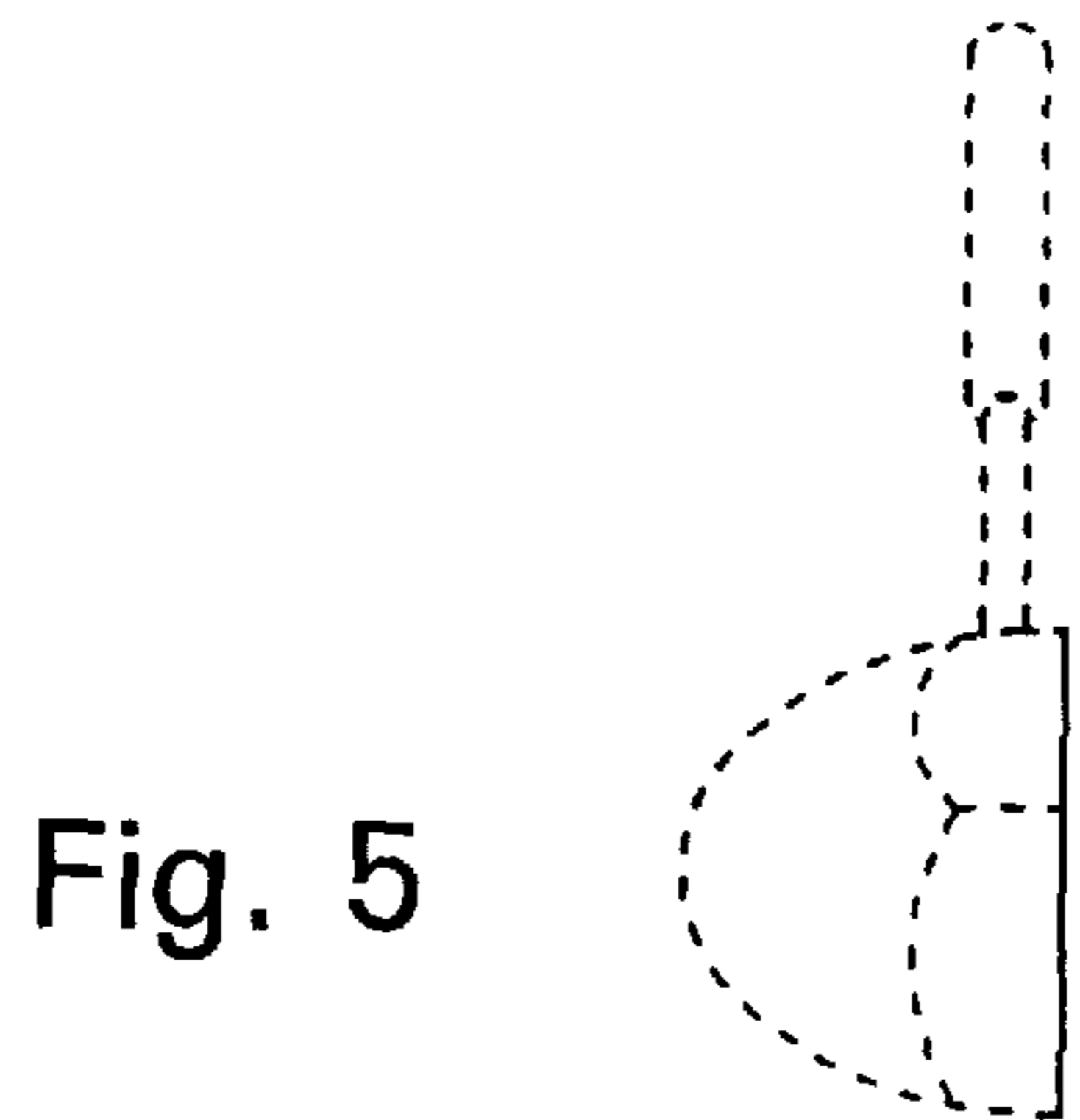


Fig. 5

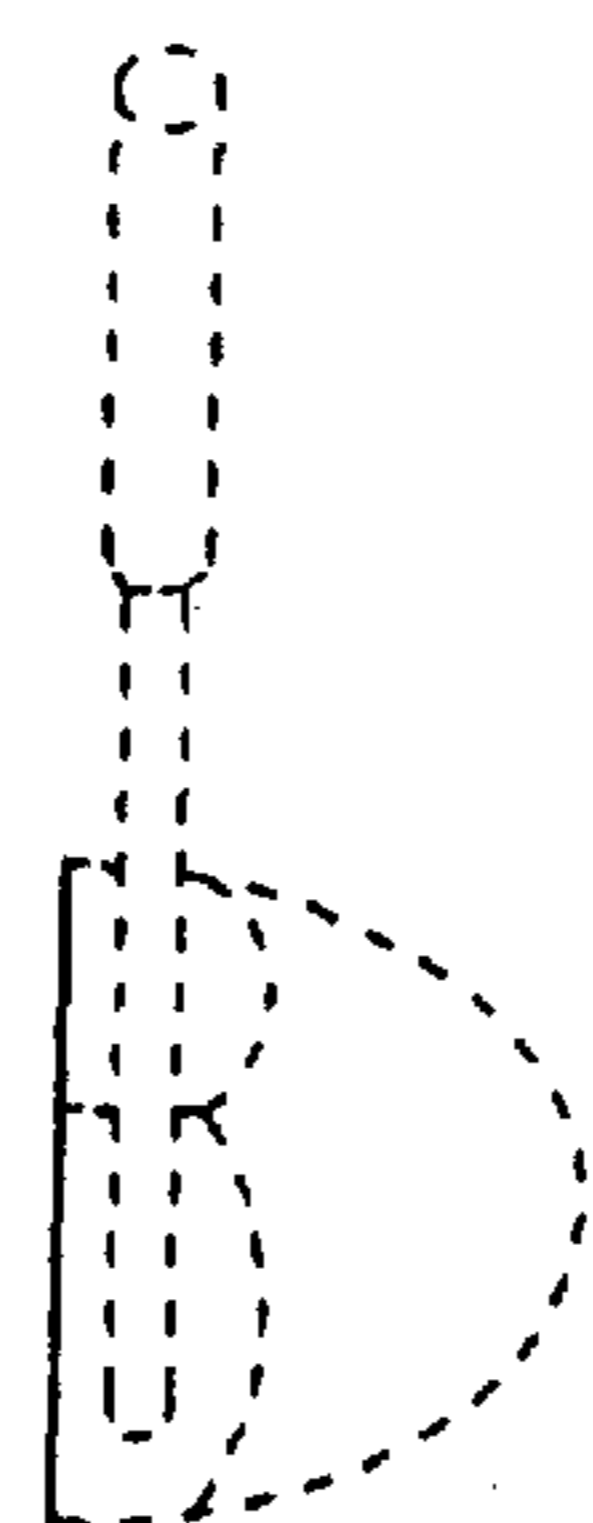


Fig. 6

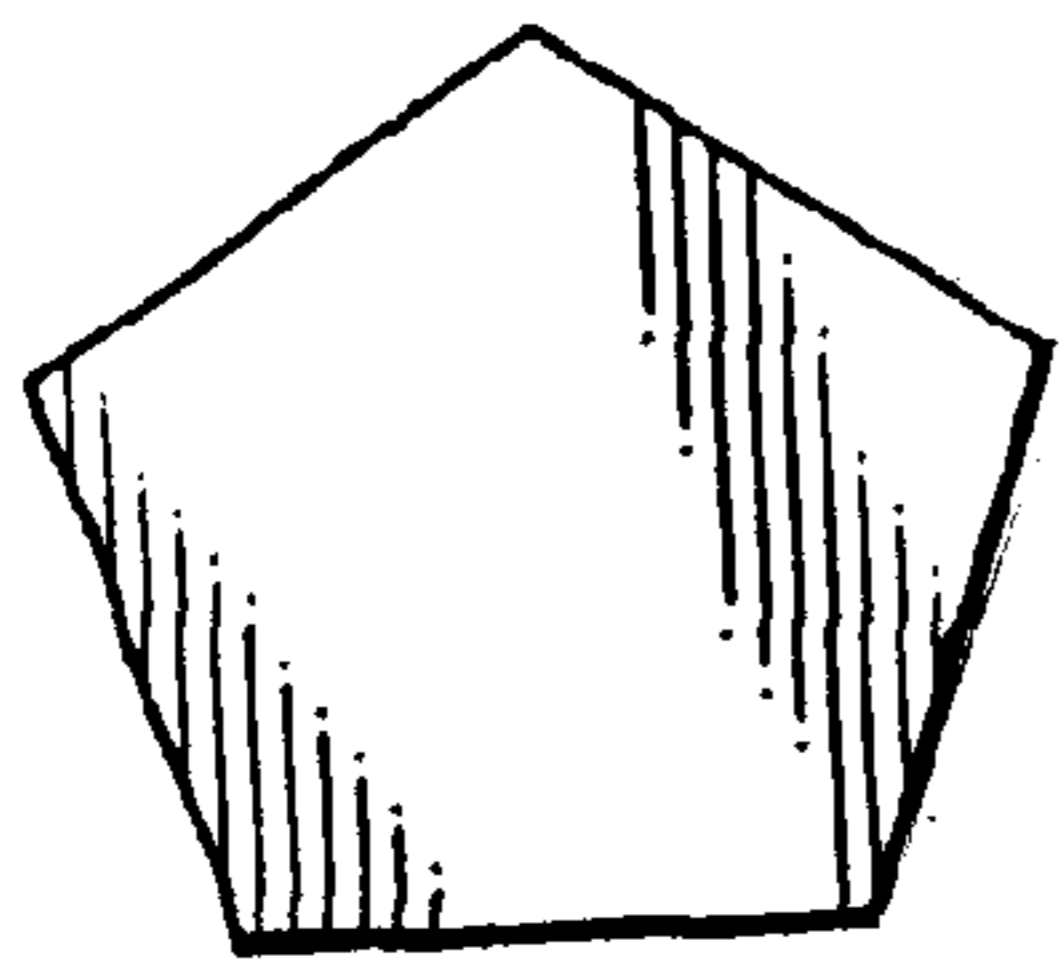


Fig. 7

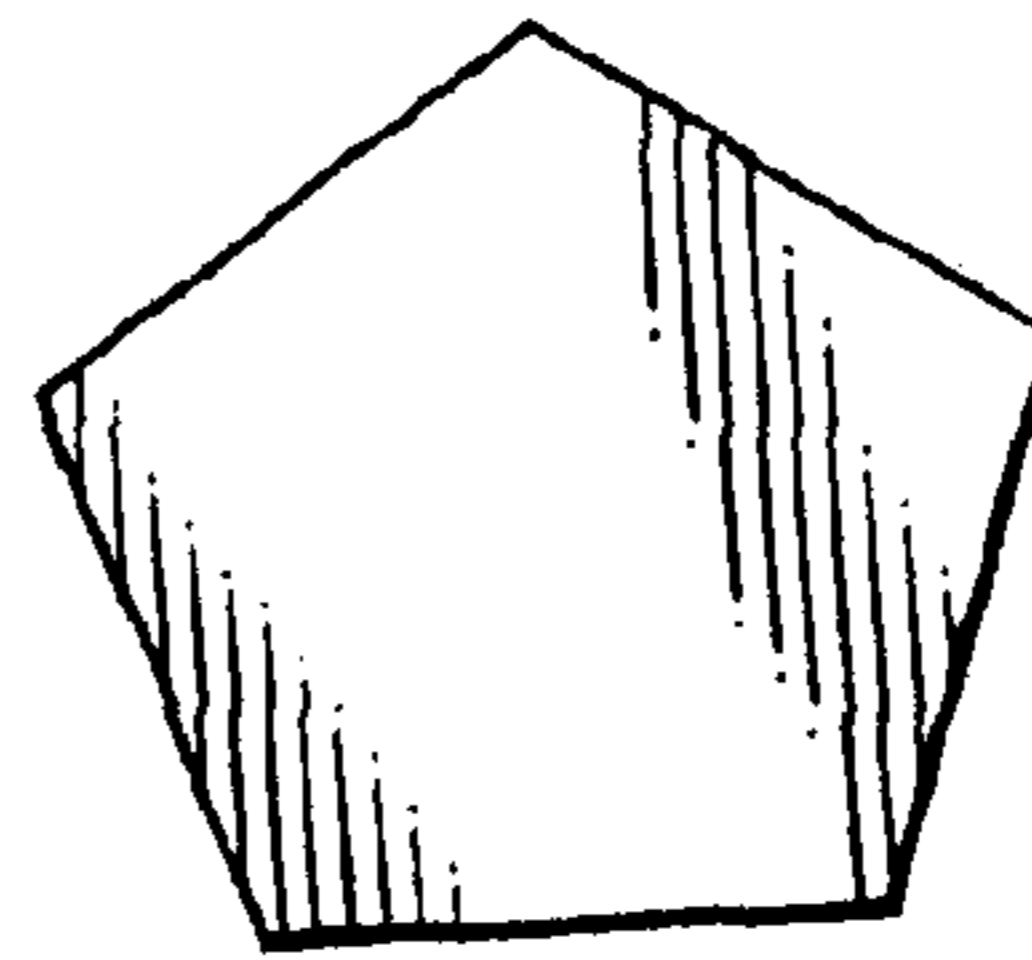


Fig. 8

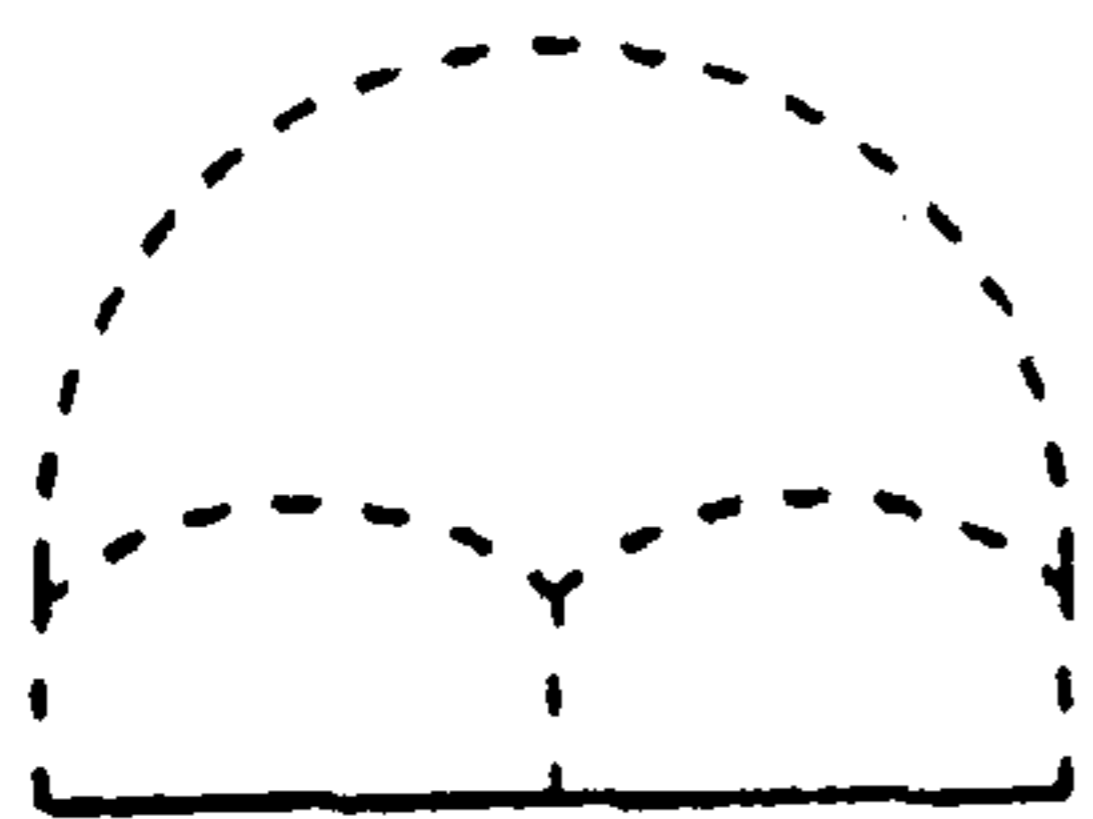


Fig. 9

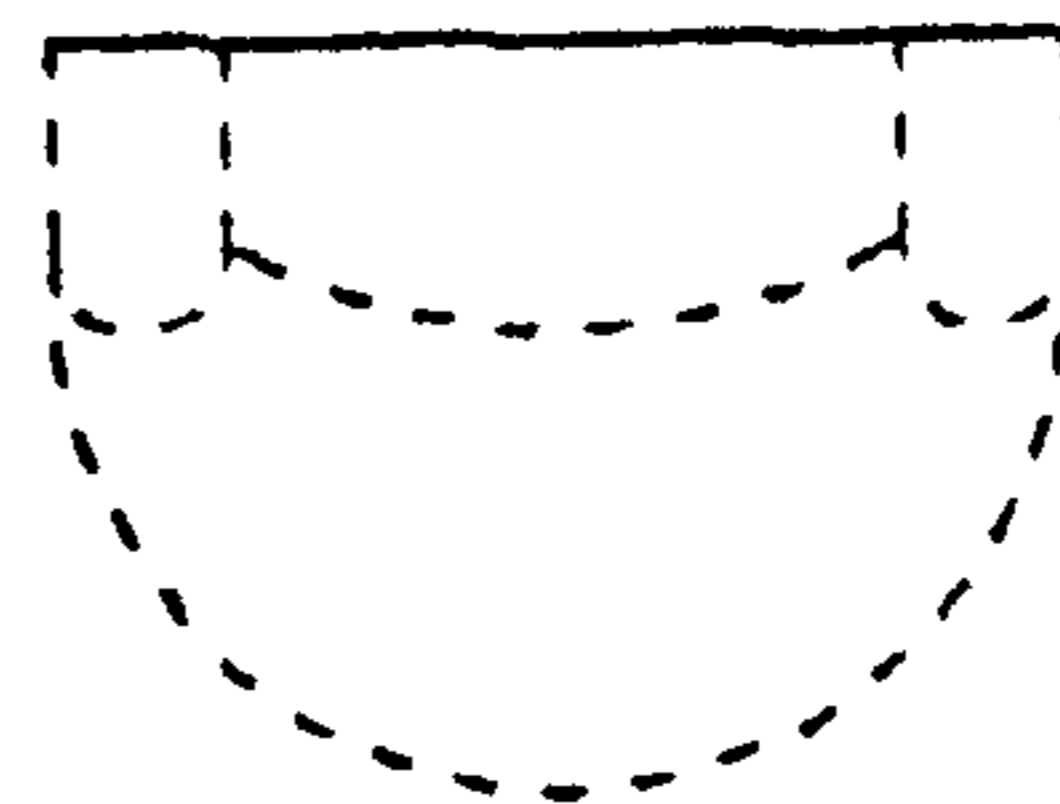


Fig. 10

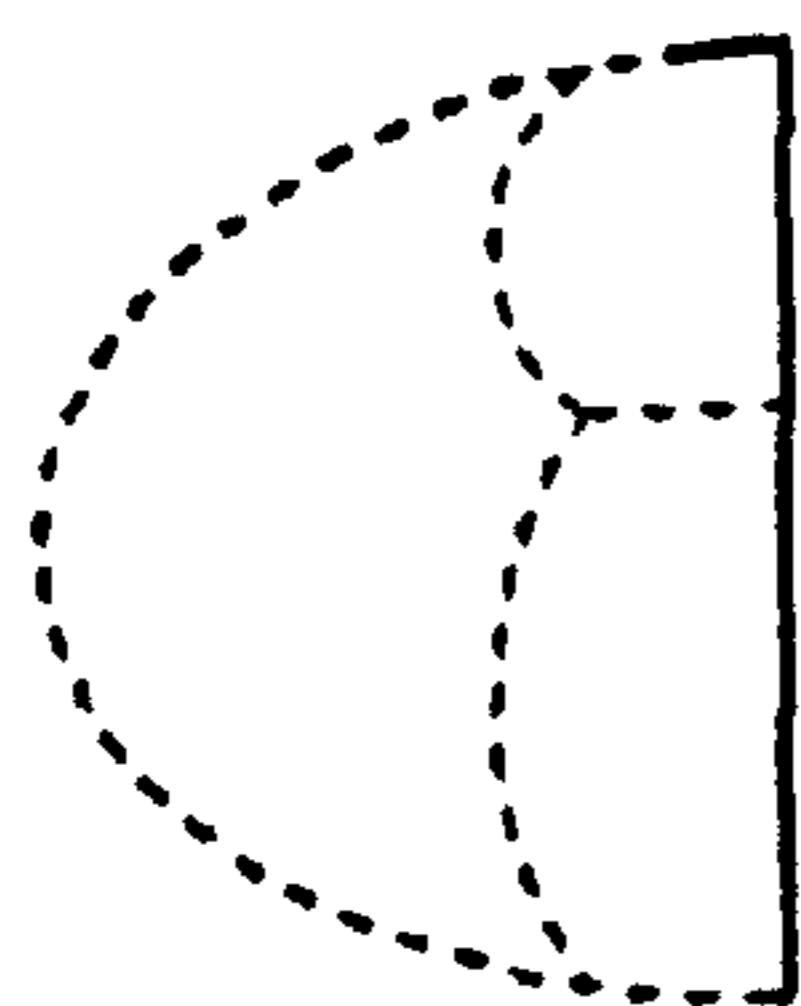


Fig. 11

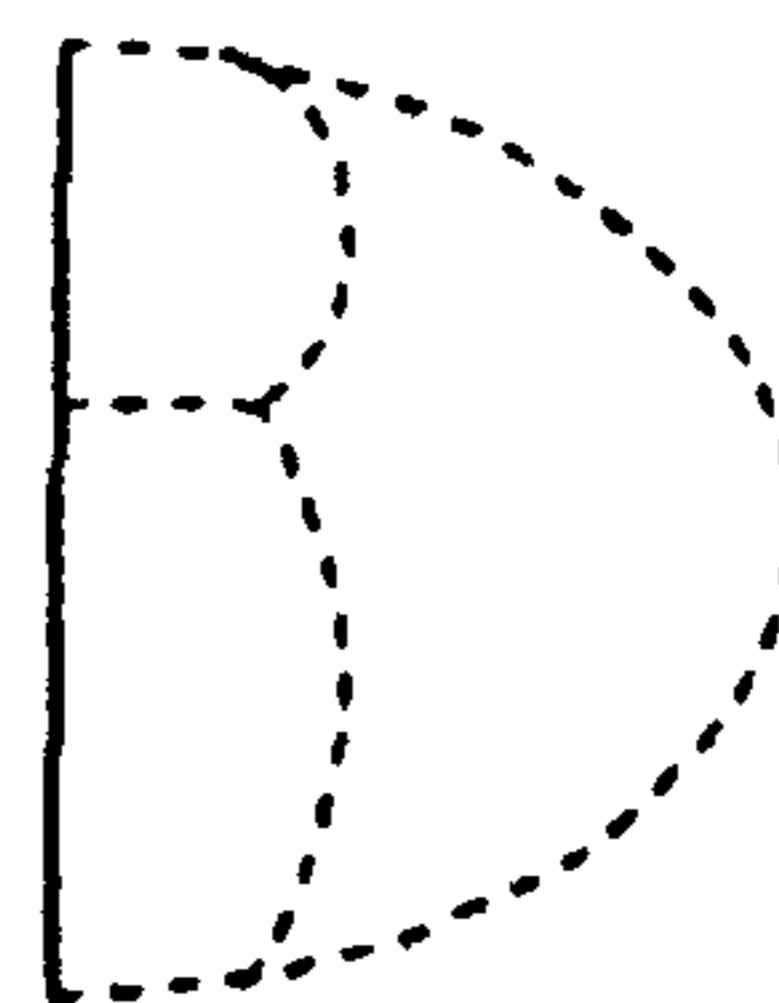


Fig. 12