

US00D524384S

(12) **United States Design Patent**
Nagano

(10) **Patent No.:** **US D524,384 S**

(45) **Date of Patent:** **** Jul. 4, 2006**

(54) **EXERCISE MACHINE**

(75) Inventor: **Toshiyuki Nagano**, Izumisano (JP)

(73) Assignee: **Cateye Co., Ltd.**, Osaka (JP)

(**) Term: **14 Years**

(21) Appl. No.: **29/223,677**

(22) Filed: **Feb. 17, 2005**

(30) **Foreign Application Priority Data**

Sep. 9, 2004 (JP) 2004-027470

(51) **LOC (8) Cl.** **21-02**

(52) **U.S. Cl.** **D21/663**

(58) **Field of Classification Search** D21/662,
D21/663, 664, 665, 666, 667, 668, 670; 482/51,
482/52, 53, 54, 57, 58

See application file for complete search history.

(56) **References Cited**

U.S. PATENT DOCUMENTS

- D308,235 S * 5/1990 Meisner D21/667
- D311,047 S * 10/1990 Carnielli D21/667
- D343,659 S * 1/1994 Kiiski D21/667

- D356,840 S * 3/1995 Huang D21/667
- D360,002 S * 7/1995 Wu D21/667
- D398,673 S * 9/1998 Huang D21/663
- D399,894 S * 10/1998 Chiu D21/663
- D401,644 S * 11/1998 Chen D21/663
- D406,288 S * 3/1999 Chen D21/663
- 5,902,215 A * 5/1999 Kuo 482/57
- D444,515 S * 7/2001 Moran et al. D21/663

* cited by examiner

Primary Examiner—Philip S. Hyder

(74) *Attorney, Agent, or Firm*—Olson & Hierl, Ltd.

(57) **CLAIM**

The ornamental design for a exercise machine, as shown.

DESCRIPTION

FIG. 1 is a perspective view of a exercise machine showing my new design;

FIG. 2 is a front view thereof;

FIG. 3 is a rear view thereof;

FIG. 4 is a top plan view thereof;

FIG. 5 is a bottom plan view thereof;

FIG. 6 is a right side view thereof; and,

FIG. 7 is a left side view thereof.

1 Claim, 7 Drawing Sheets

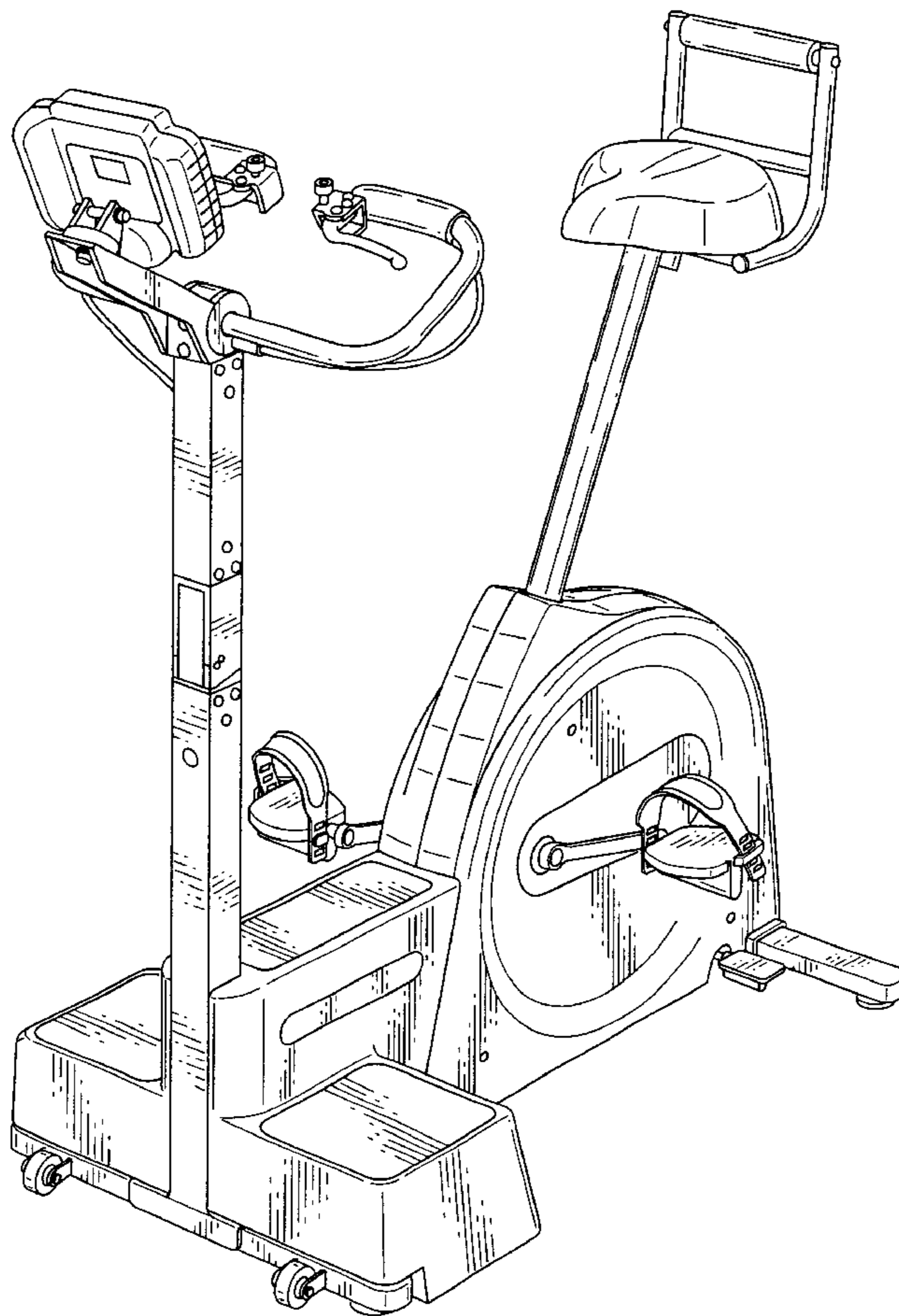


FIG. 1

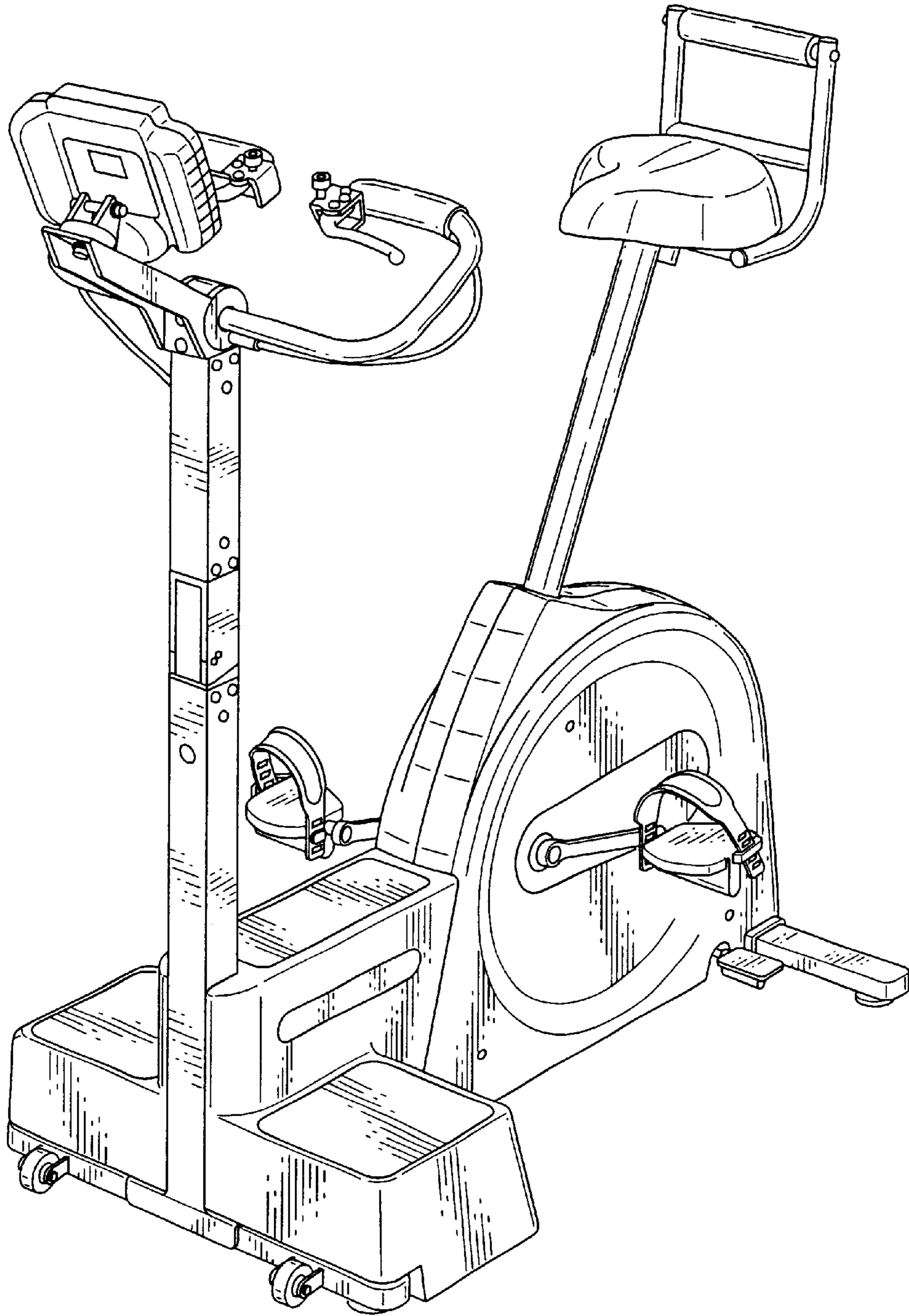


FIG. 2

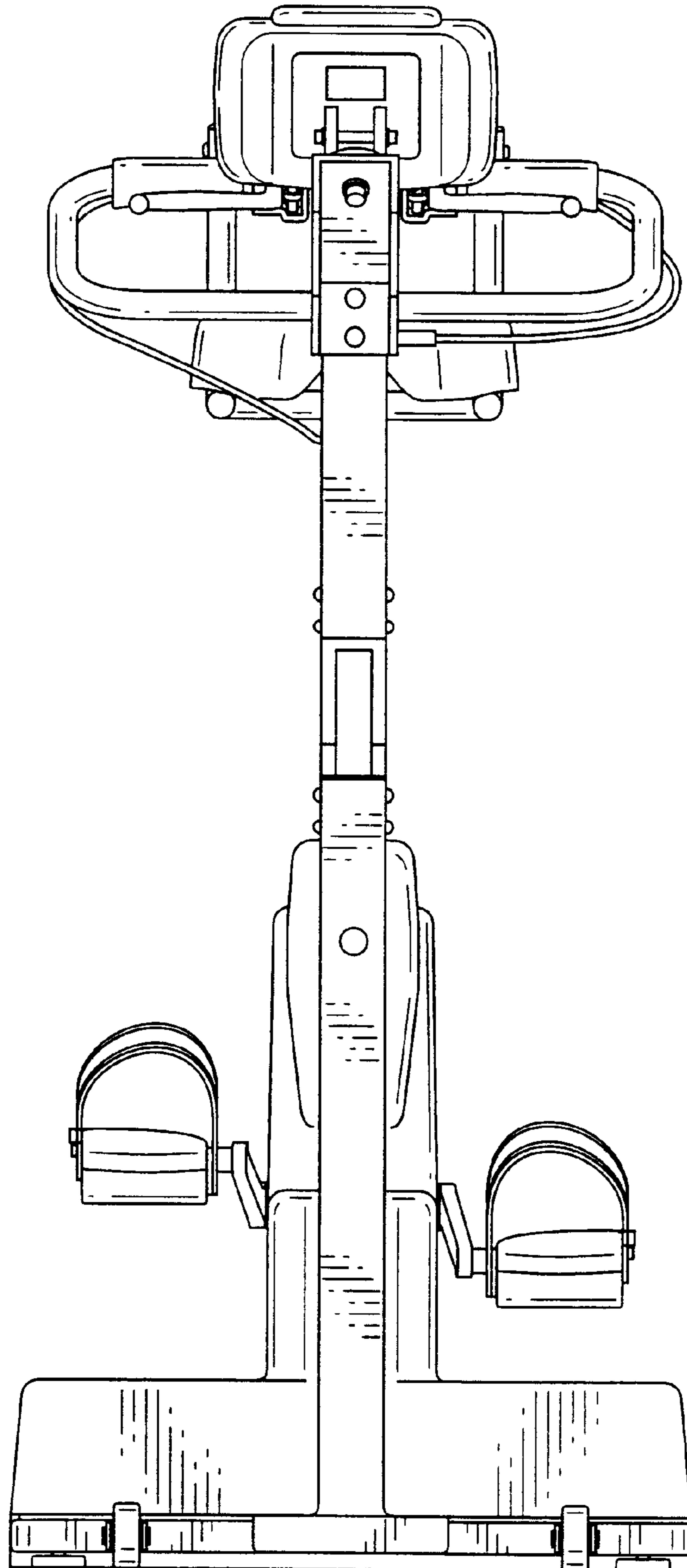


FIG. 3

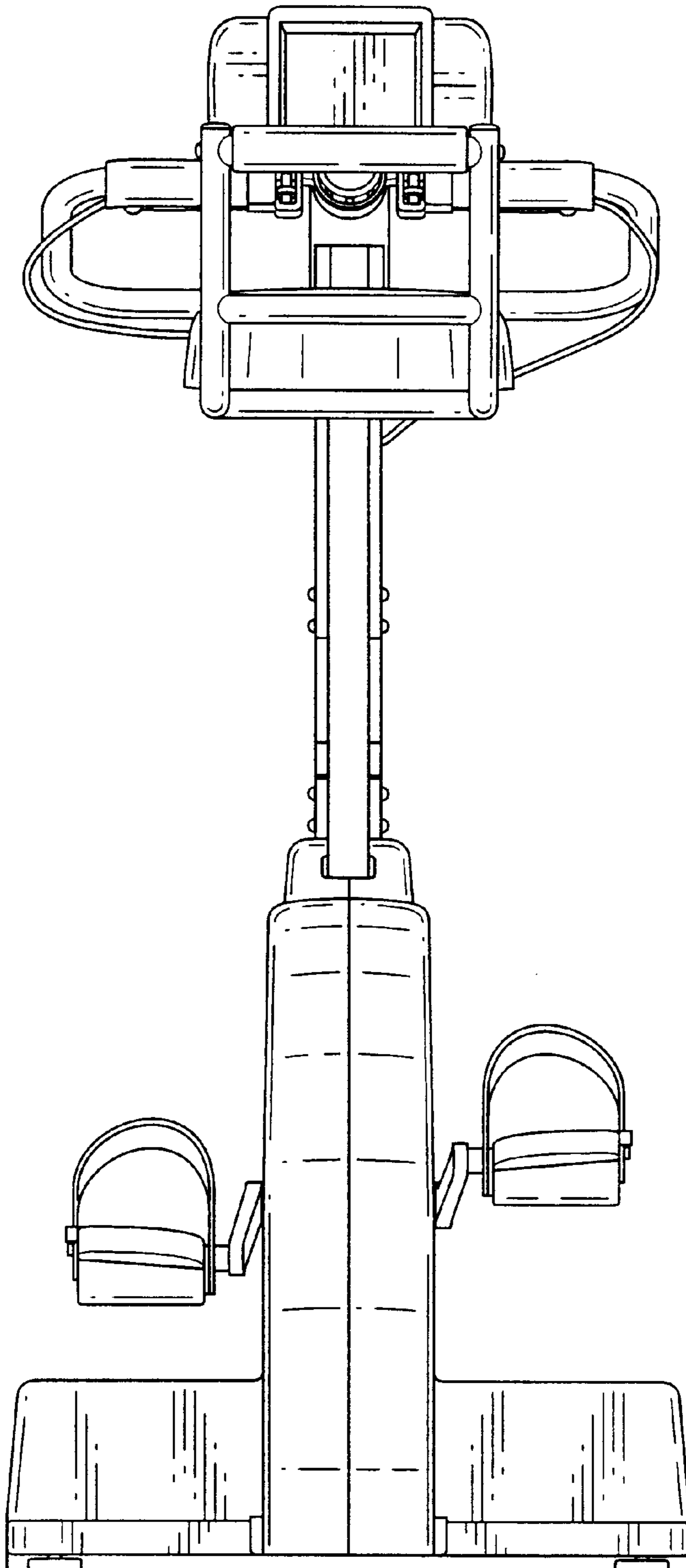


FIG. 4

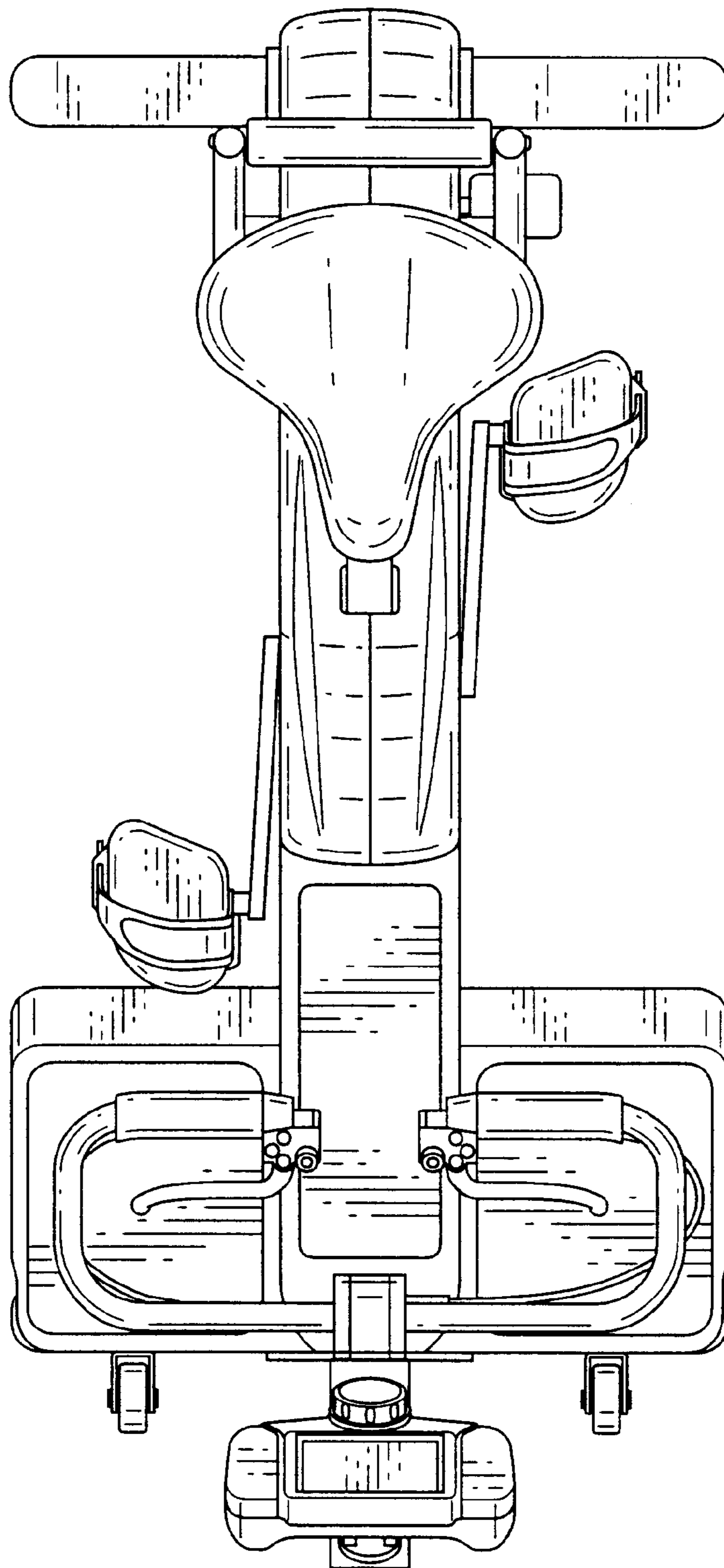


FIG. 5

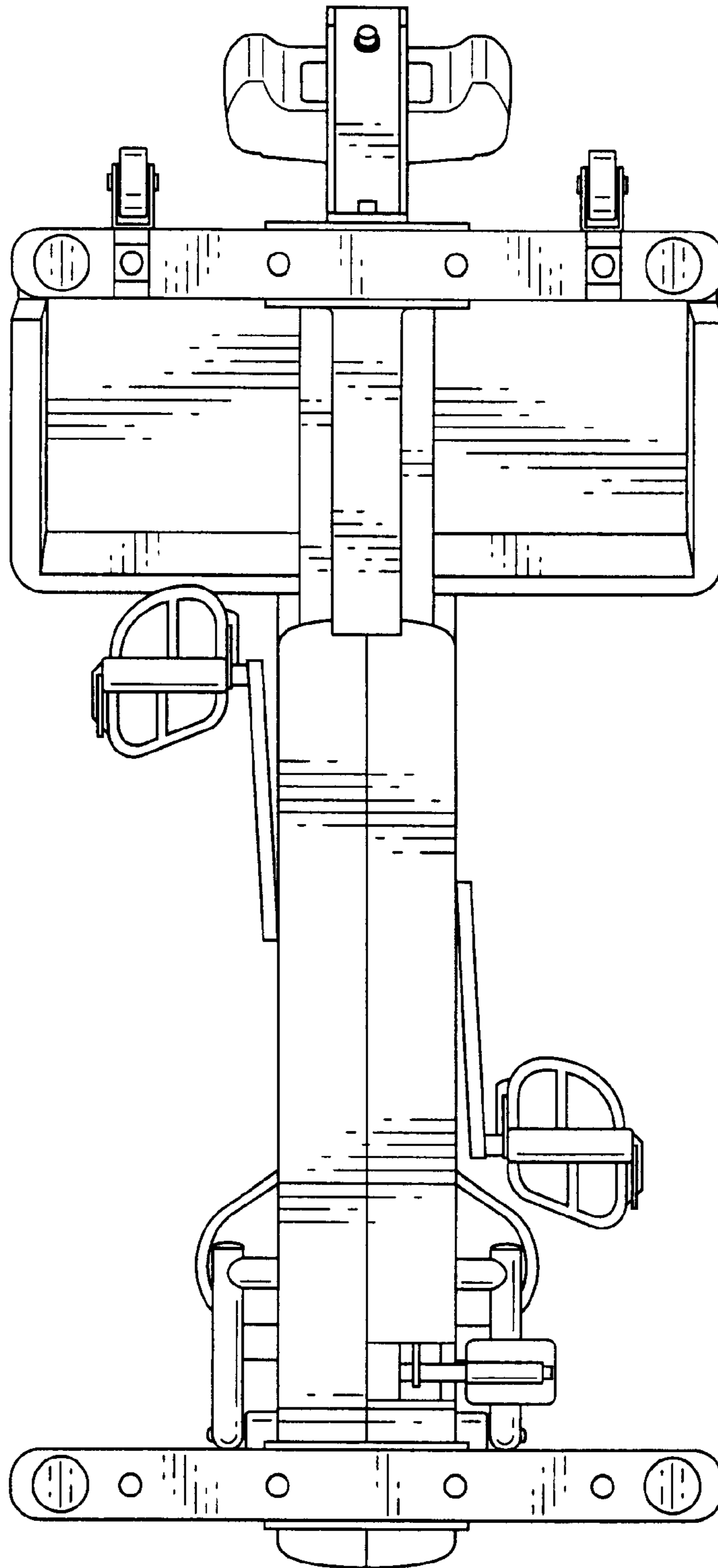


FIG. 6

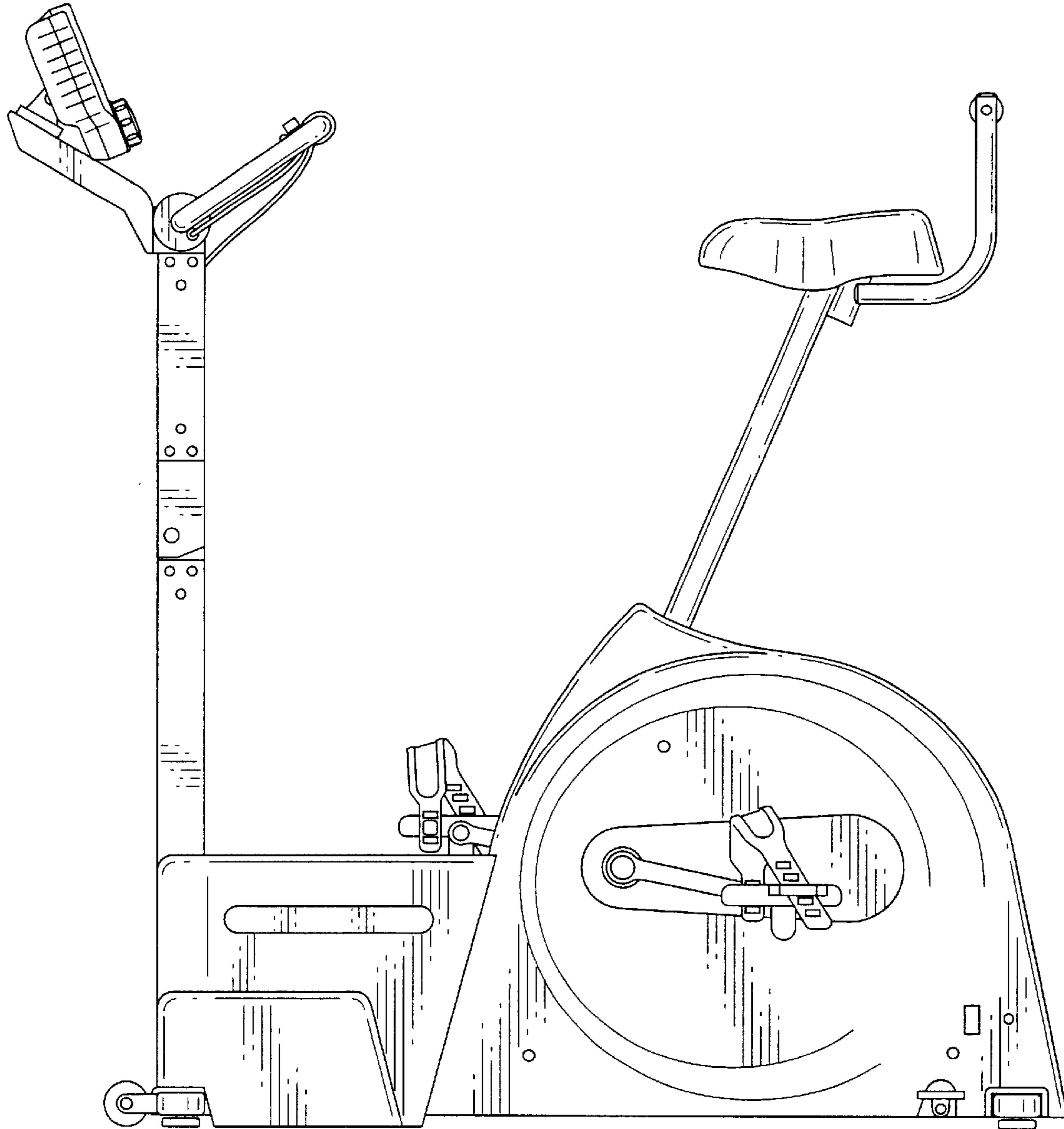


FIG. 7

