



US00D524382S

(12) **United States Design Patent**
Morita et al.

(10) **Patent No.:** **US D524,382 S**
(45) **Date of Patent:** **** Jul. 4, 2006**

(54) **RADIO REMOTE CONTROL UNIT**

(75) Inventors: **Noriaki Morita**, Mobara (JP);
Yoshihiro Noguchi, Mobara (JP)

(73) Assignee: **Futaba Corporation**, Chiba-ken (JP)

(**) Term: **14 Years**

(21) Appl. No.: **29/201,976**

(22) Filed: **Mar. 24, 2004**

(30) **Foreign Application Priority Data**

Oct. 8, 2003 (JP) 2003-033798

(51) **LOC (8) Cl.** **21-01**

(52) **U.S. Cl.** **D21/566**

(58) **Field of Classification Search** D21/266,
D21/324, 331, 333; D14/400, 401, 217, 218;
446/454-456; 463/6, 7, 37-39, 46, 47; D13/168
See application file for complete search history.

(56) **References Cited**

U.S. PATENT DOCUMENTS

4,552,360 A * 11/1985 Bromley et al. 463/38
D283,718 S 5/1986 Kondo
D302,446 S * 7/1989 Cheng D21/566
D313,439 S 1/1991 Kohno
5,158,495 A 10/1992 Yonezawa
D389,529 S * 1/1998 Hayami D14/401

D390,613 S 2/1998 Kanetsuna et al.
D411,265 S 6/1999 Kanetsuna et al.
6,342,010 B1 * 1/2002 Slifer 463/39
D478,638 S * 8/2003 Mukaida D21/566
D480,117 S * 9/2003 Mukaida D21/566
D481,080 S 10/2003 Arai et al.
6,893,320 B1 * 5/2005 Caiozza 446/456

* cited by examiner

Primary Examiner—Holly Baynham
Assistant Examiner—Cynthia M. Chin
(74) *Attorney, Agent, or Firm*—Quarles & Brady LLP

(57) **CLAIM**

We claim the ornamental design for a radio remote control unit, as shown and described.

DESCRIPTION

FIG. 1 is a front elevational view of a radio remote control unit showing our new design;
FIG. 2 is a rear elevational view thereof;
FIG. 3 is a right side elevational view thereof;
FIG. 4 is a left side elevational view thereof;
FIG. 5 is a top plan view thereof;
FIG. 6 is a bottom plan view thereof;
FIG. 7 is a front side perspective view thereof;
FIG. 8 is a rear side perspective view thereof; and,
FIG. 9 is a perspective view thereof in which the antenna thereof is extended.

1 Claim, 9 Drawing Sheets

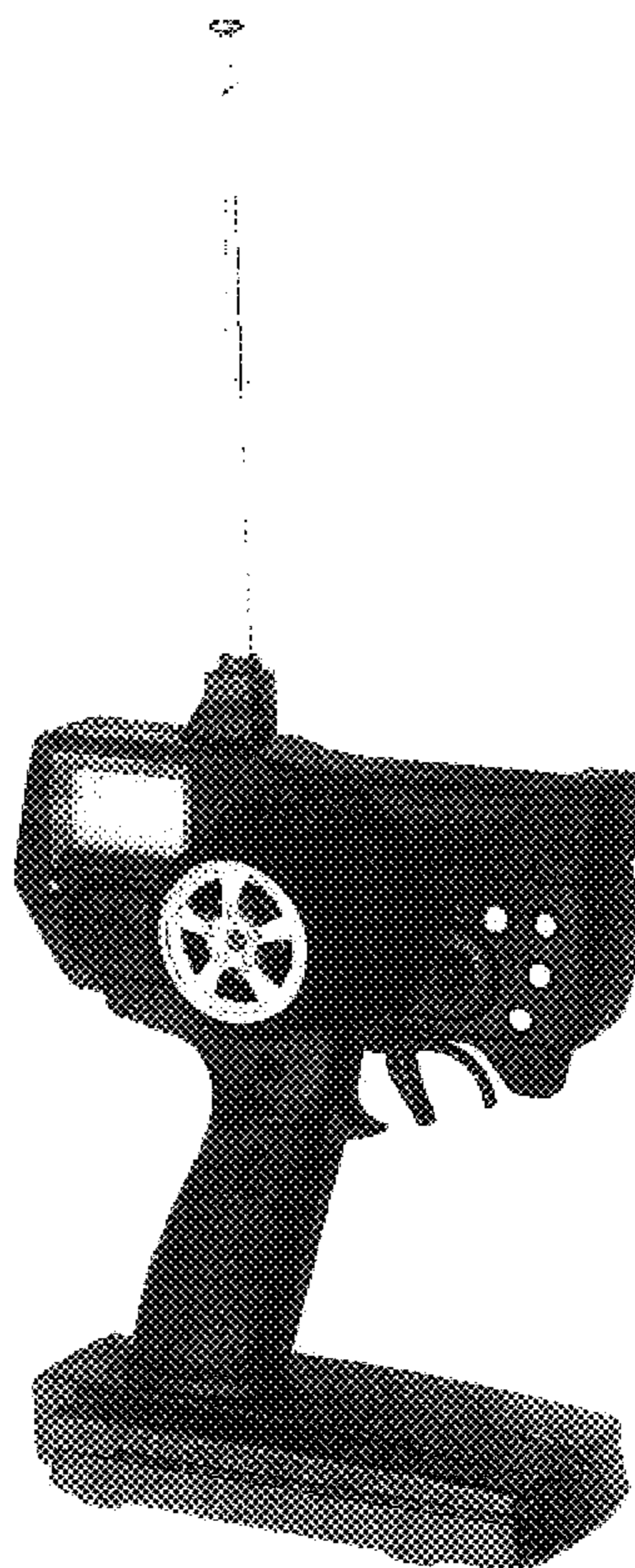




Fig. 1



Fig. 2

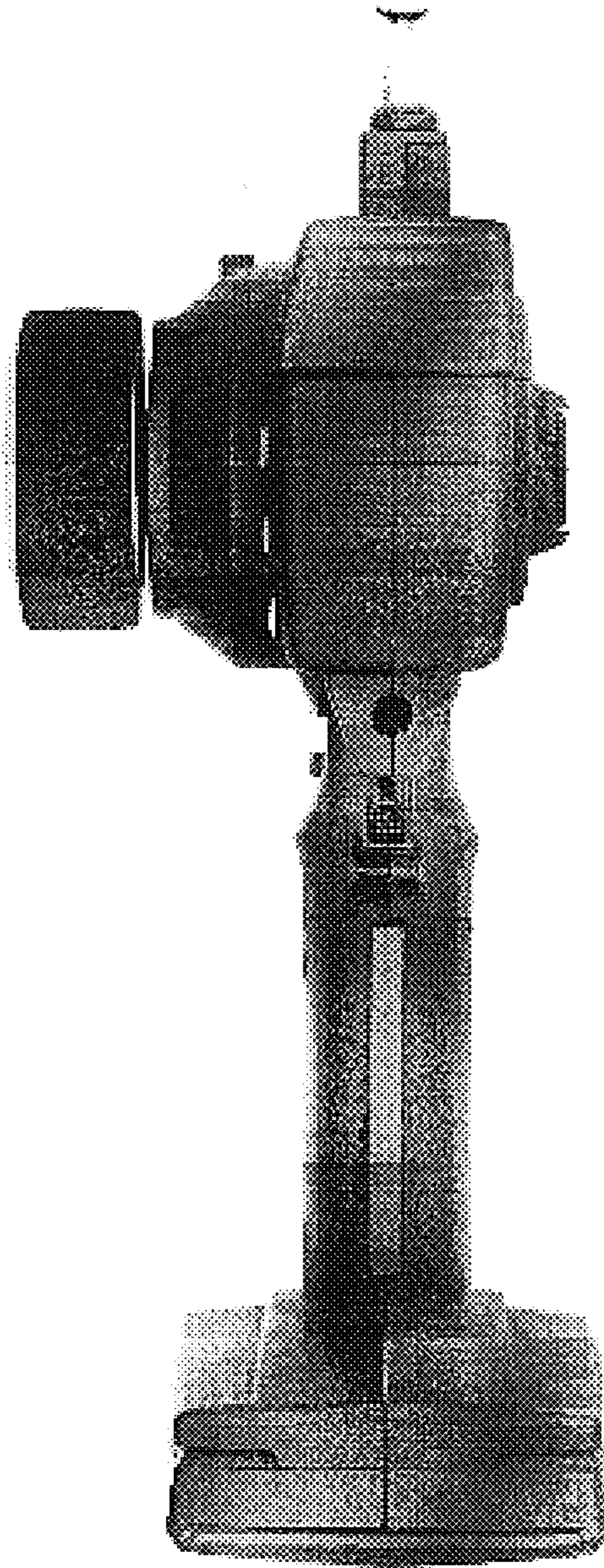


Fig. 3

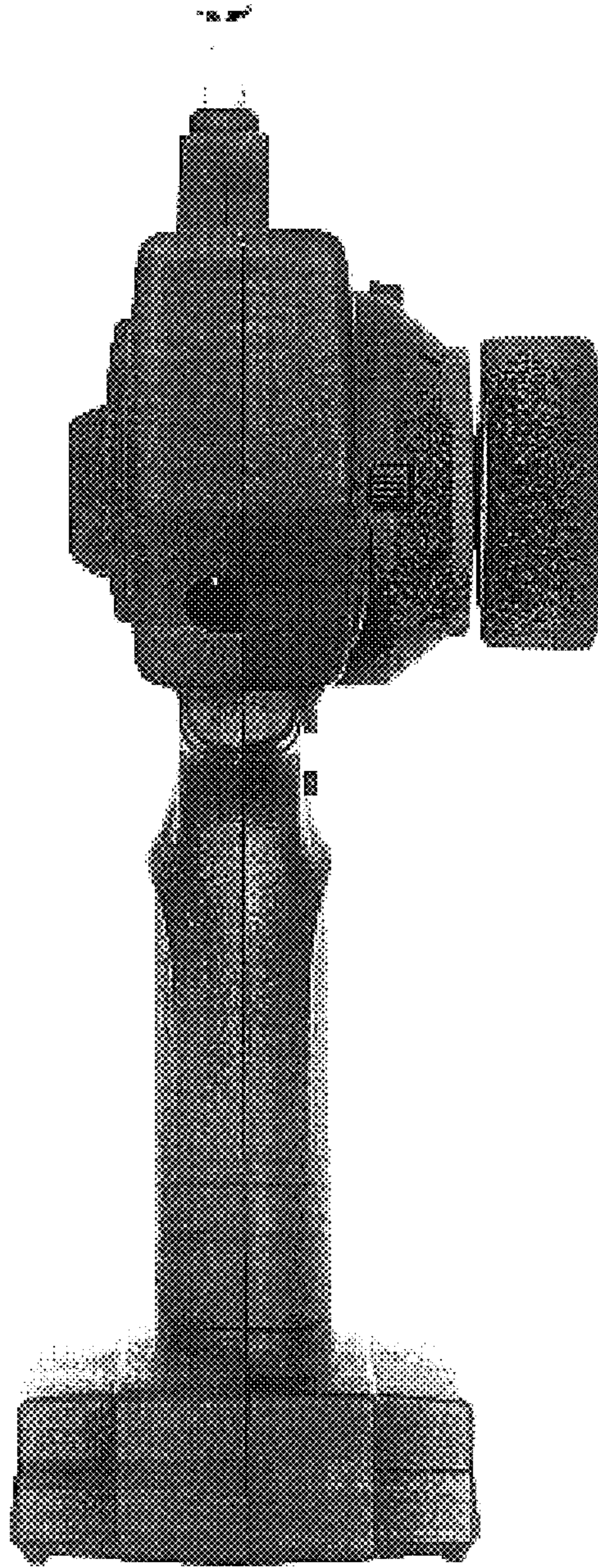


Fig. 4

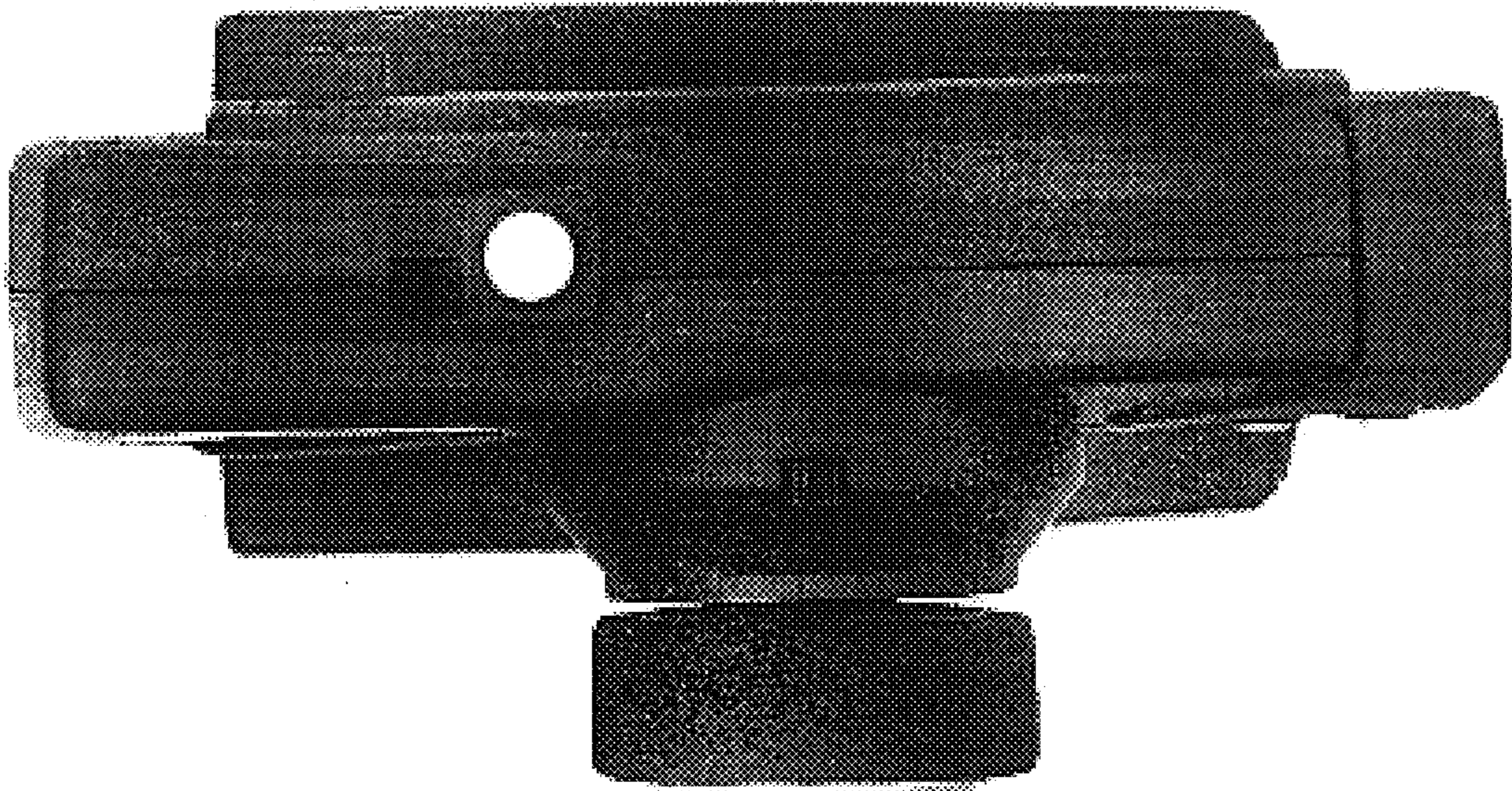


Fig. 5

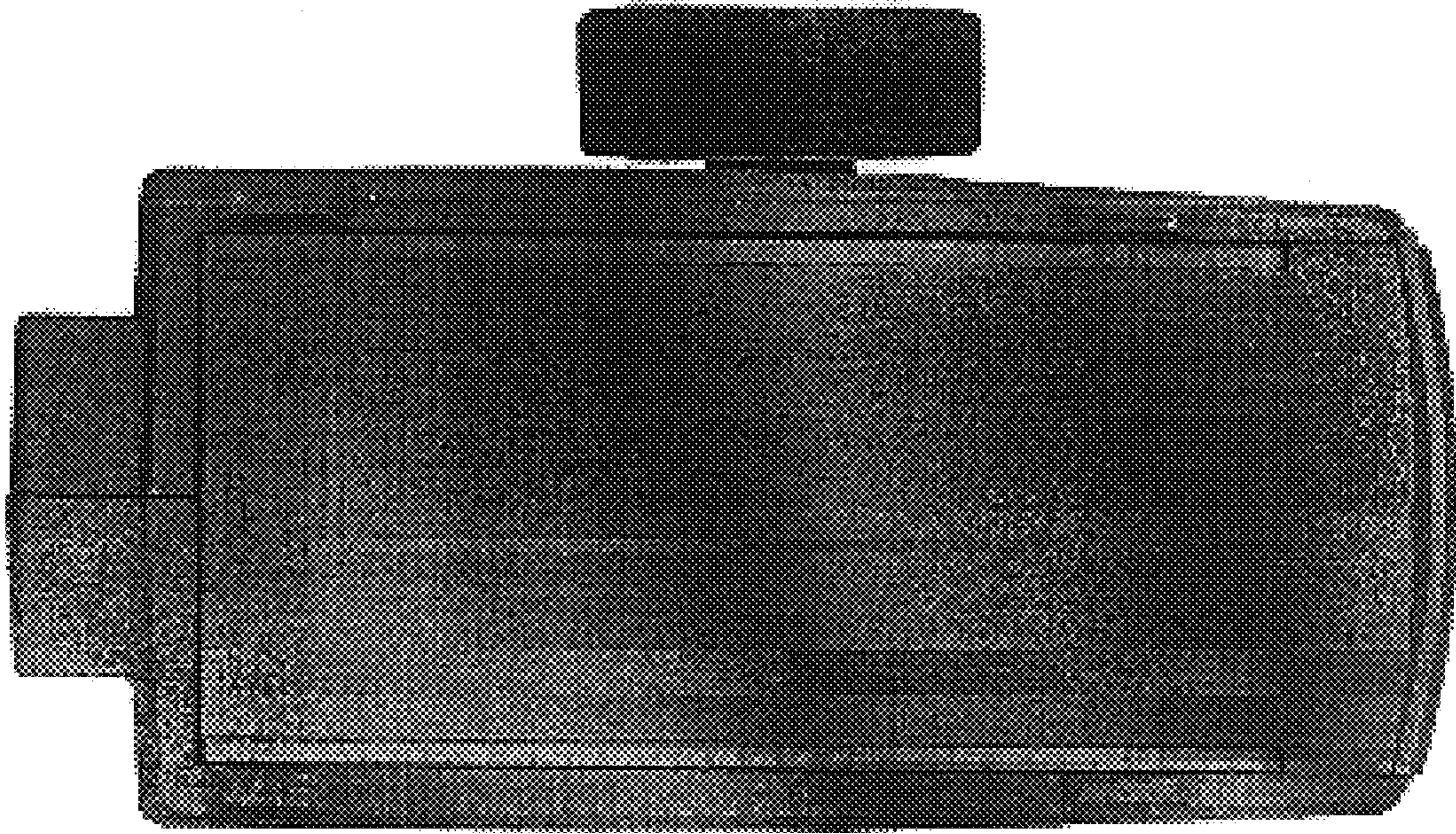


Fig. 6



Fig. 7



Fig. 8



Fig. 9