

US00D524381S

(12) **United States Design Patent**
Thompson

(10) **Patent No.:** **US D524,381 S**

(45) **Date of Patent:** **** Jul. 4, 2006**

(54) **COMBINED GOLF STACKING PUZZLE AND
PIECES**

(75) Inventor: **Raymond B. Thompson**, Falls Church,
VA (US)

(73) Assignee: **Use Your Head Unlimited, Inc.**,
Winchester, VA (US)

(*) Notice: This patent is subject to a terminal dis-
claimer.

(**) Term: **14 Years**

(21) Appl. No.: **29/219,453**

(22) Filed: **Dec. 17, 2004**

Related U.S. Application Data

(63) Continuation-in-part of application No. 29/175,365, filed on
Feb. 5, 2003.

(51) **LOC (8) Cl.** **21-01**

(52) **U.S. Cl.** **D21/478**

(58) **Field of Classification Search** D21/300,
D21/301, 314-319, 471, 478, 479, 386, 707-714;
D9/418, 441, 451, 600, 636, 668, 715, 721,
D9/757, 758; D11/131, 157; D19/42, 97;
D7/651, 654; D3/211; 273/153 R, 156, 157 R,
273/153 P, 146, 241, 258-260, 264, 271,
273/276, 288, 290; 206/579, 315.1, 315.9,
206/775, 776, 781, 557, 564

See application file for complete search history.

(56) **References Cited**

U.S. PATENT DOCUMENTS

2,151,030 A 3/1939 Hinsen
3,624,939 A 12/1971 Gossard

(Continued)

FOREIGN PATENT DOCUMENTS

GB D. 2041146 * 8/1994

OTHER PUBLICATIONS

Austad's Golf Catalog, (undated) 1) logo balls inside cabinet
shown in advertisement on back of order form; 2) p. 40:
center golf ball with football motif at bottom of page.

(Continued)

Primary Examiner—Catherine Tuttle

(74) *Attorney, Agent, or Firm*—Cahn & Samuels, LLP

(57) **CLAIM**

The ornamental design for a combined golf stacking puzzle
and pieces, as shown and described.

DESCRIPTION

FIG. 1 is a perspective view showing my new design for a
combined golf stacking puzzle and pieces in its fully
assembled state;

FIG. 2 is a perspective view shown without the cover for a
clear disclosure of the stacked puzzle pieces;

FIG. 3 is a top view of FIG. 1;

FIG. 4 is a bottom view with the base removed to show the
undersides of the assembled pieces;

FIG. 5 is a perspective view showing the base and piece
elements of the design in a partially assembled state;

FIG. 6 is a top perspective view, shown with the piece
elements and cover removed to disclose the underlying base
portions;

FIG. 7 is a bottom view of the cover portion of the design,
shown separately for clarity;

FIG. 8 is a bottom and side perspective view of the cover
portion;

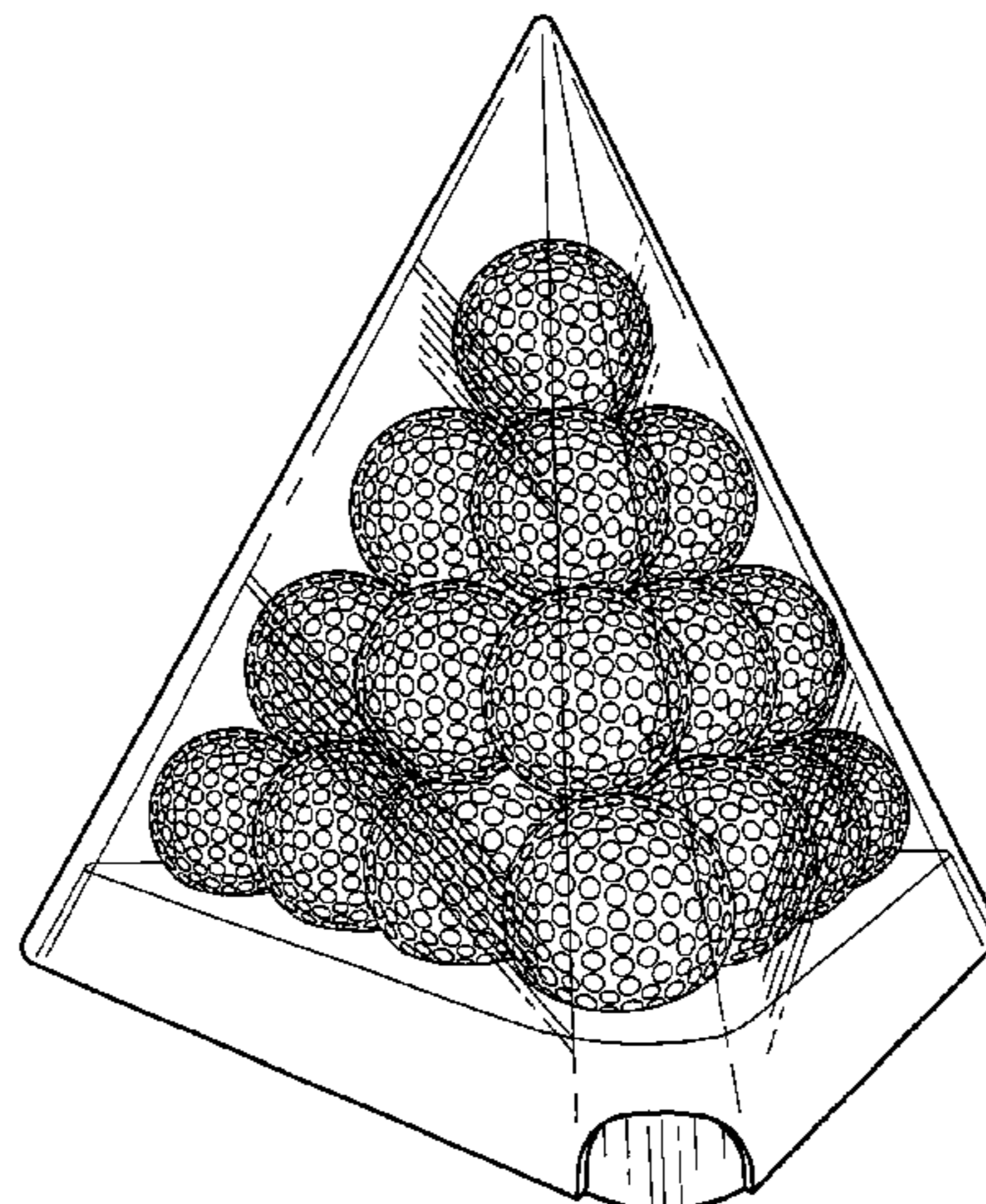
FIG. 9 is a perspective view showing the puzzle piece
elements of the design in an unassembled state;

FIG. 10 is a top view showing one of the puzzle piece
elements separately for clarity; and,

FIG. 11 is a top view showing a pair of the puzzle piece
elements of the design in a stacked relationship.

The broken lines showing the base corner details are for
illustrative purposes only; and form no part of the claimed
design.

1 Claim, 5 Drawing Sheets



U.S. PATENT DOCUMENTS

3,837,652 A 9/1974 Kuwagaki et al.
3,945,645 A 3/1976 Roberts
4,057,247 A 11/1977 Morrison
4,060,247 A 11/1977 Kobres, Jr.
4,325,552 A 4/1982 Glasheen
4,988,103 A 1/1991 Cheng
5,381,895 A 1/1995 Thomsen
D357,500 S 4/1995 Mutterperi
D357,541 S 4/1995 Neidell
D373,528 S 9/1996 Ser Tuen Wei
5,558,331 A 9/1996 Zlotsky
5,695,312 A 12/1997 Kelly
5,715,947 A * 2/1998 Gonzales 211/14
5,882,173 A 3/1999 Ziegler
6,461,164 B1 10/2002 Ramelli
D500,533 S 1/2005 Thompson
D500,534 S 1/2005 Thompson
D500,535 S 1/2005 Thompson
D500,816 S 1/2005 Thompson

OTHER PUBLICATIONS

Hong Kong Toys Feb. 1995, p. 318: balls inside basket and golf type ball at top of page; smooth tennis type ball under lower bat.
Hong Kong Toys Feb. 1996, p. 307: top row: items AT041, AT0448; third row; items AT 468, fourth row; item AT 469; fifth row: item AT043; sixth row: item AT0455; and bottom row: item AL0031.
Hong Kong Toys, Jan. 1998: 1) p. 1005: top row center: football type balls; 2) p. 1649: baseball type balls at top and center of framed area, basketball type ball on upper right of framed area; and tennis type balls toward center of framed are; 3) p. 1665.
Tetra Toys, Export Catalogue, 23: 20 Ball Adult Puzzle.
“Use Your Head Unlimited, Inc.: Games” web page printed from www.useyourheadunlimited.com/ssprmd.html circa 2001.
* cited by examiner

FIG. 1

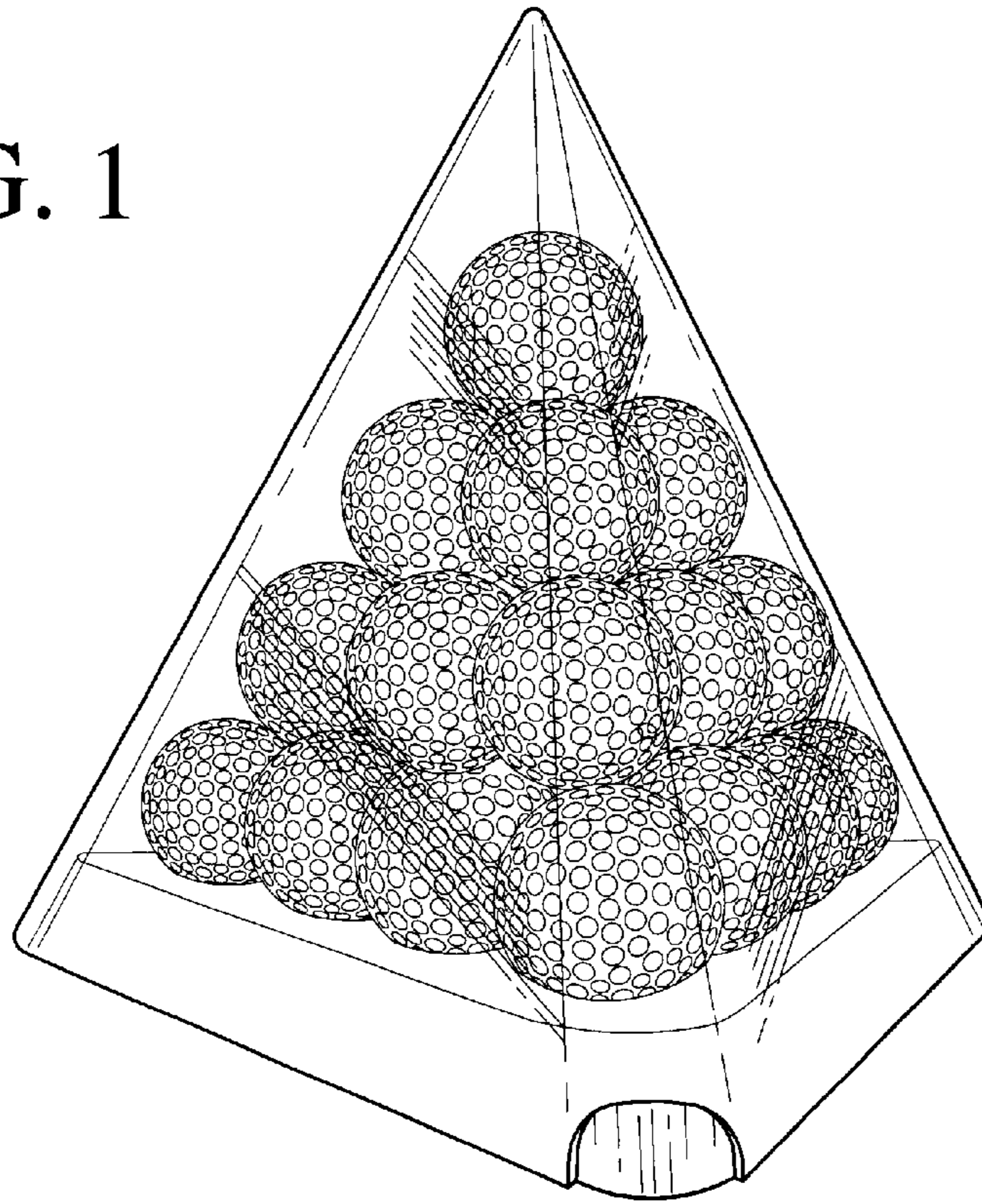
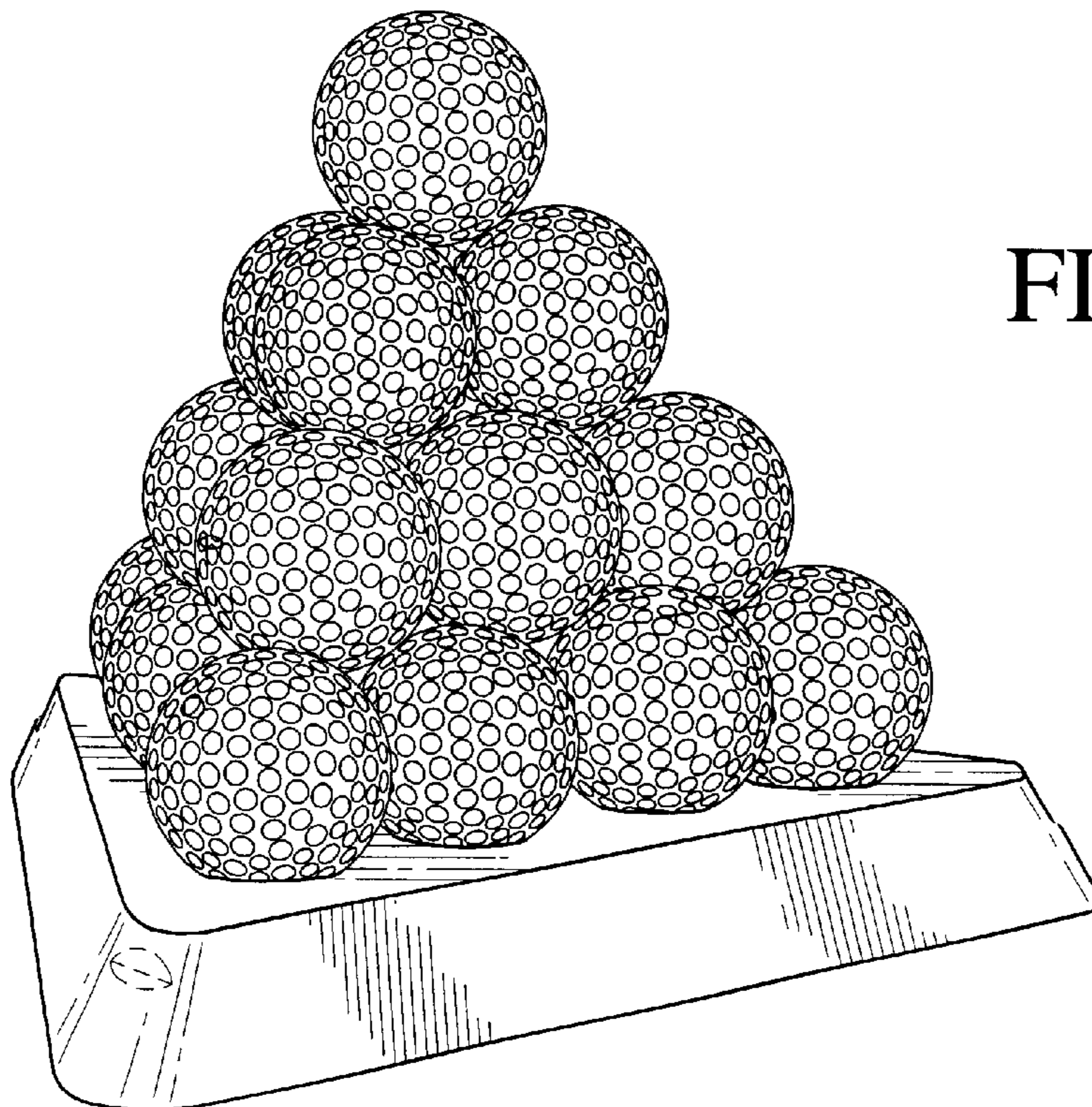


FIG. 2



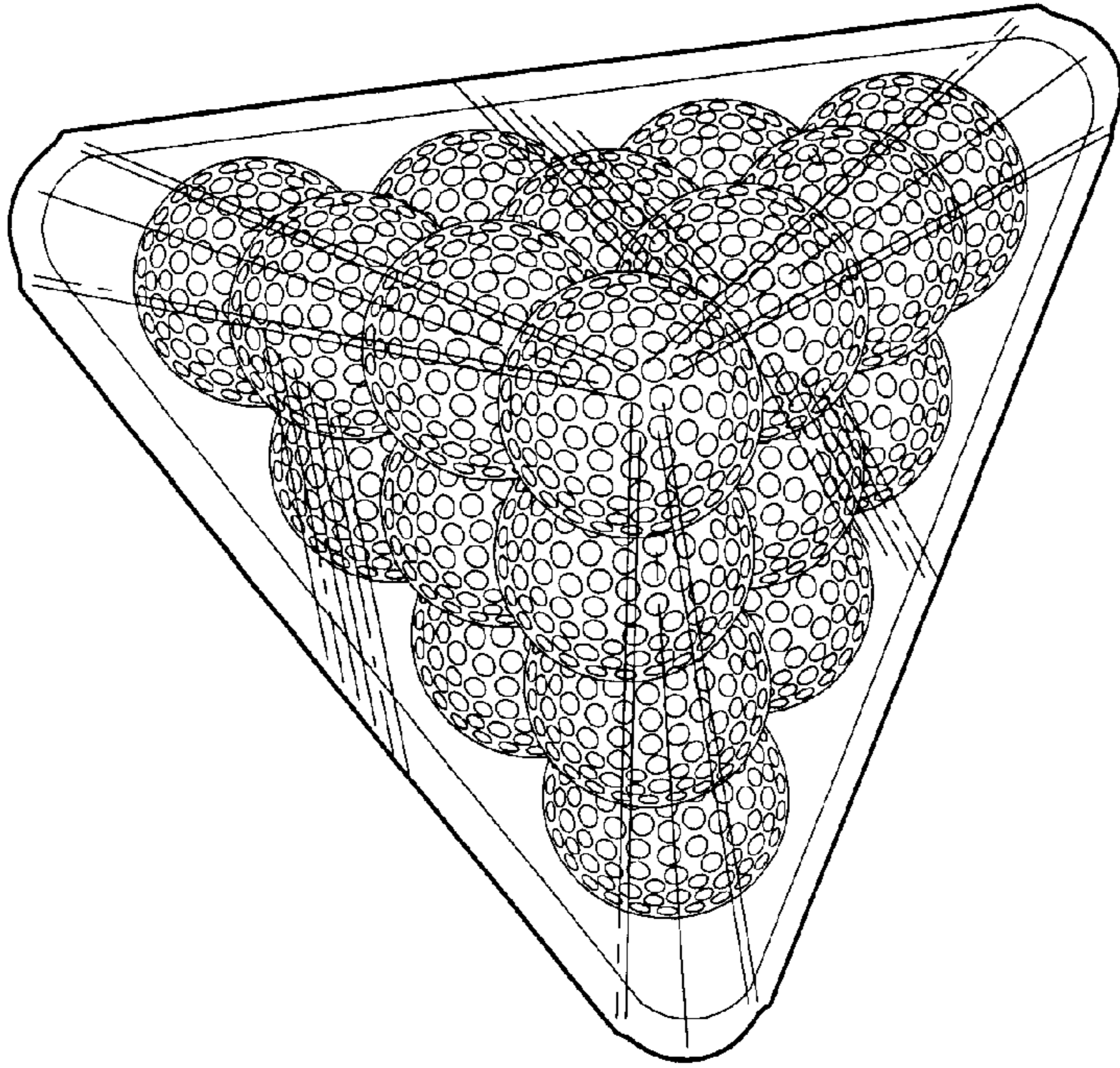


FIG. 3

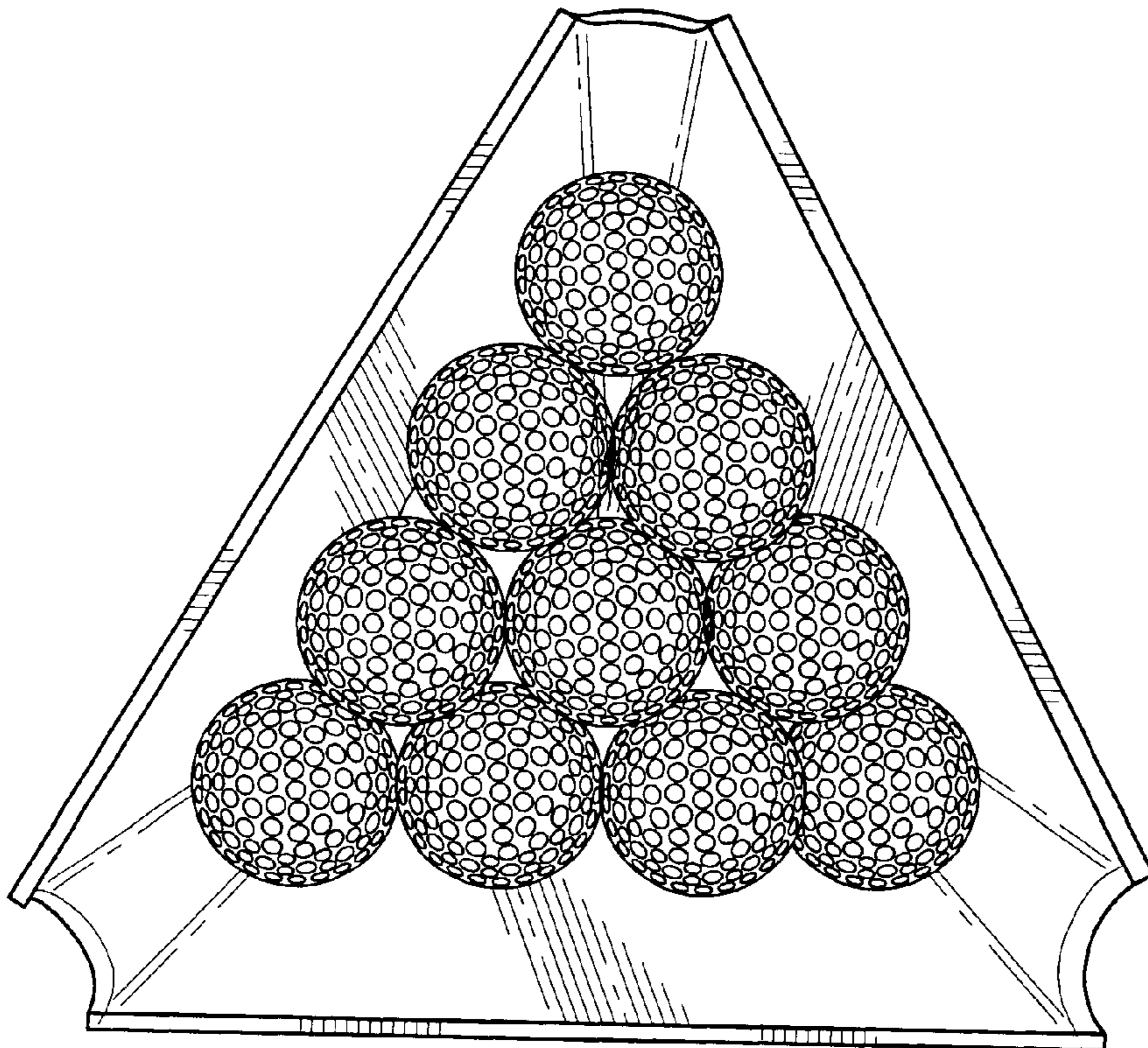


FIG. 4

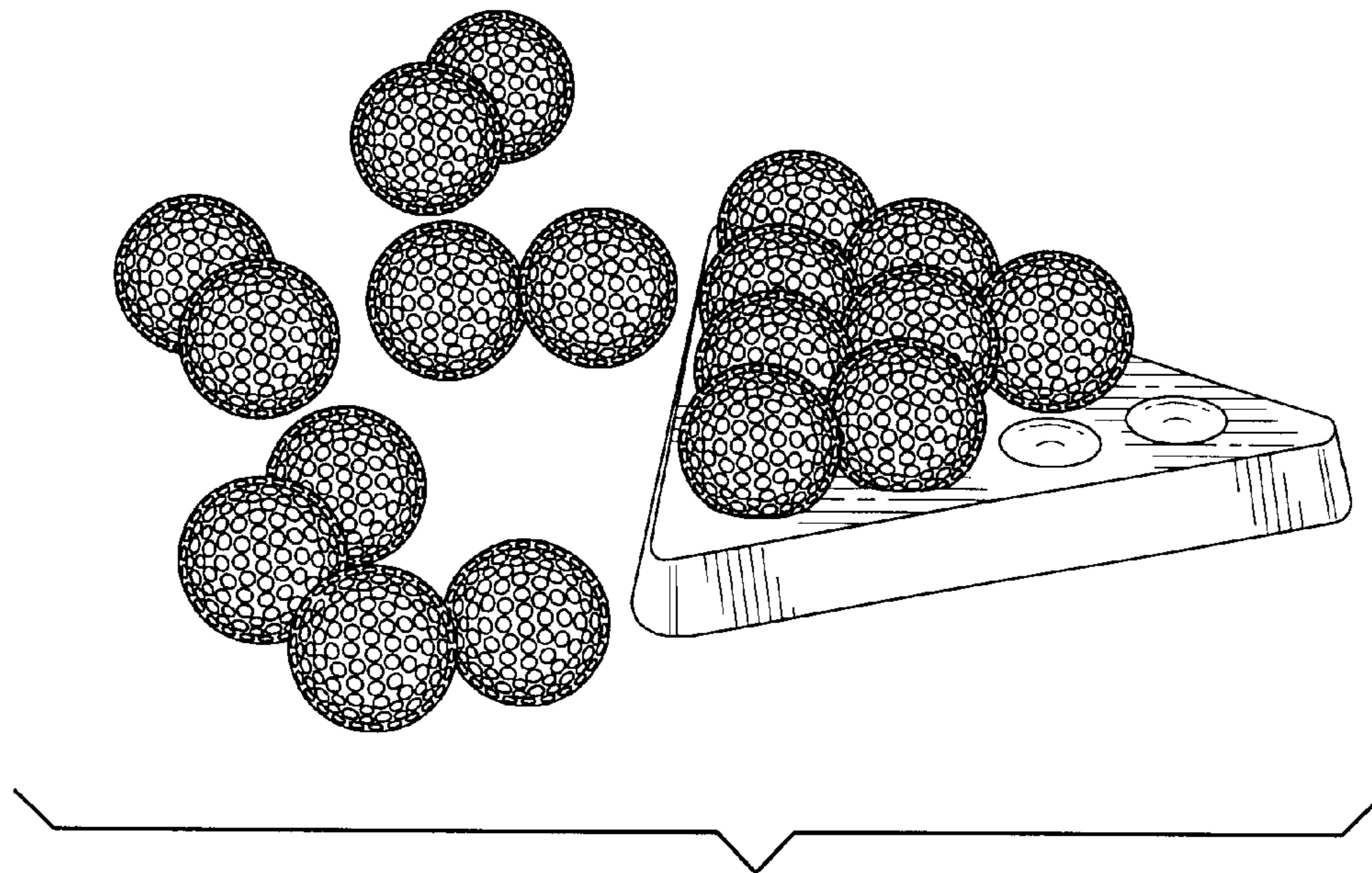


FIG. 5

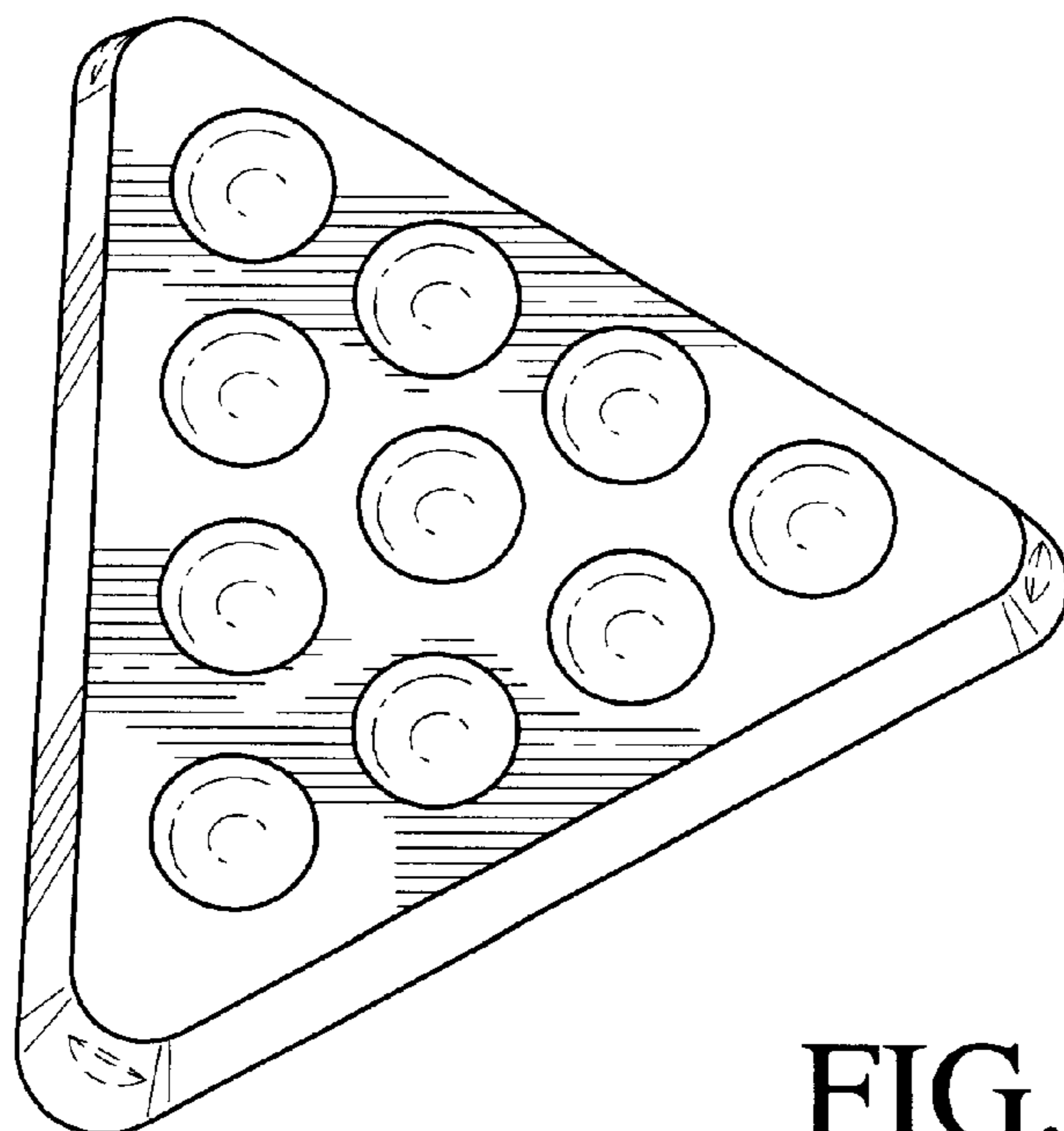


FIG. 6

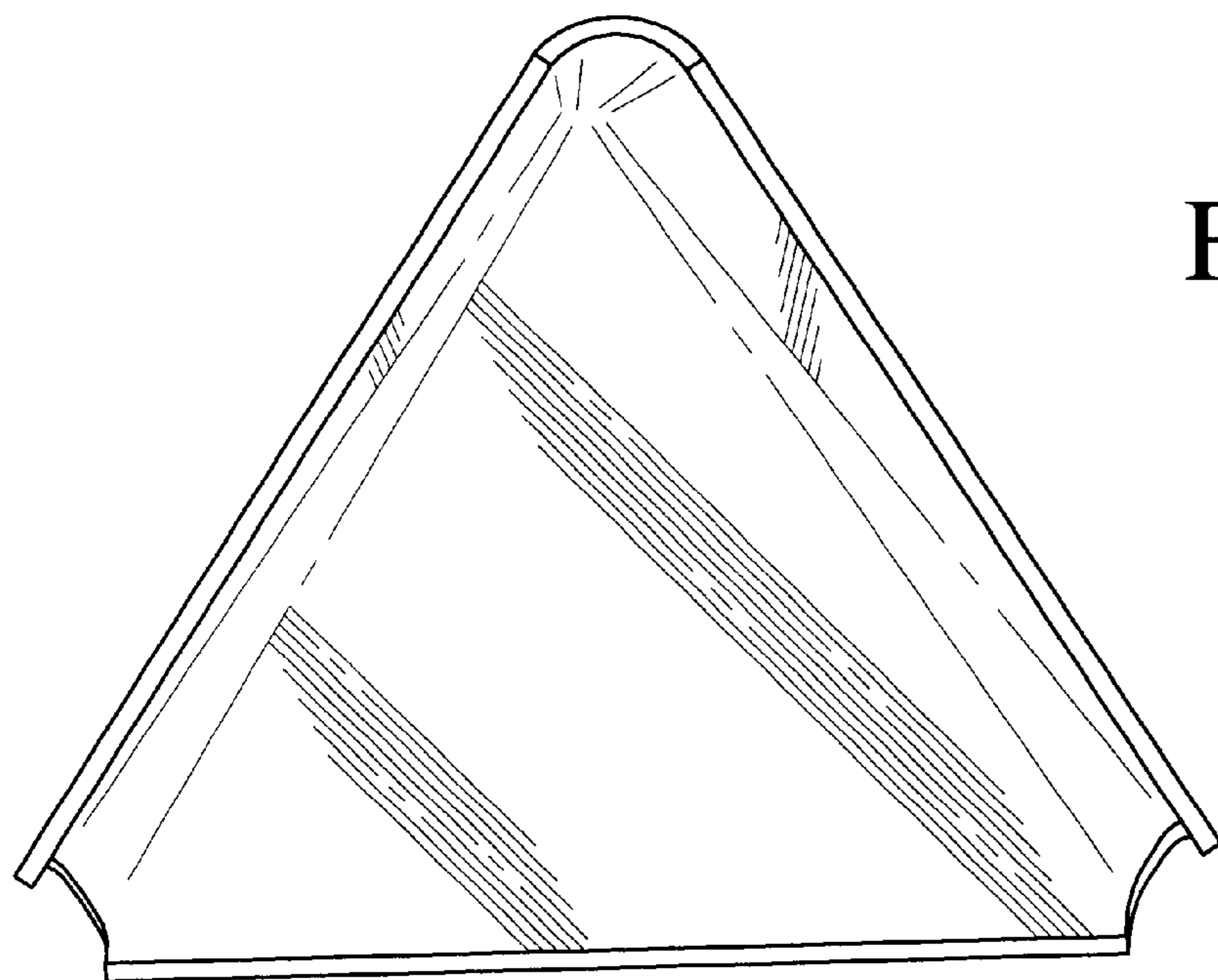


FIG. 7

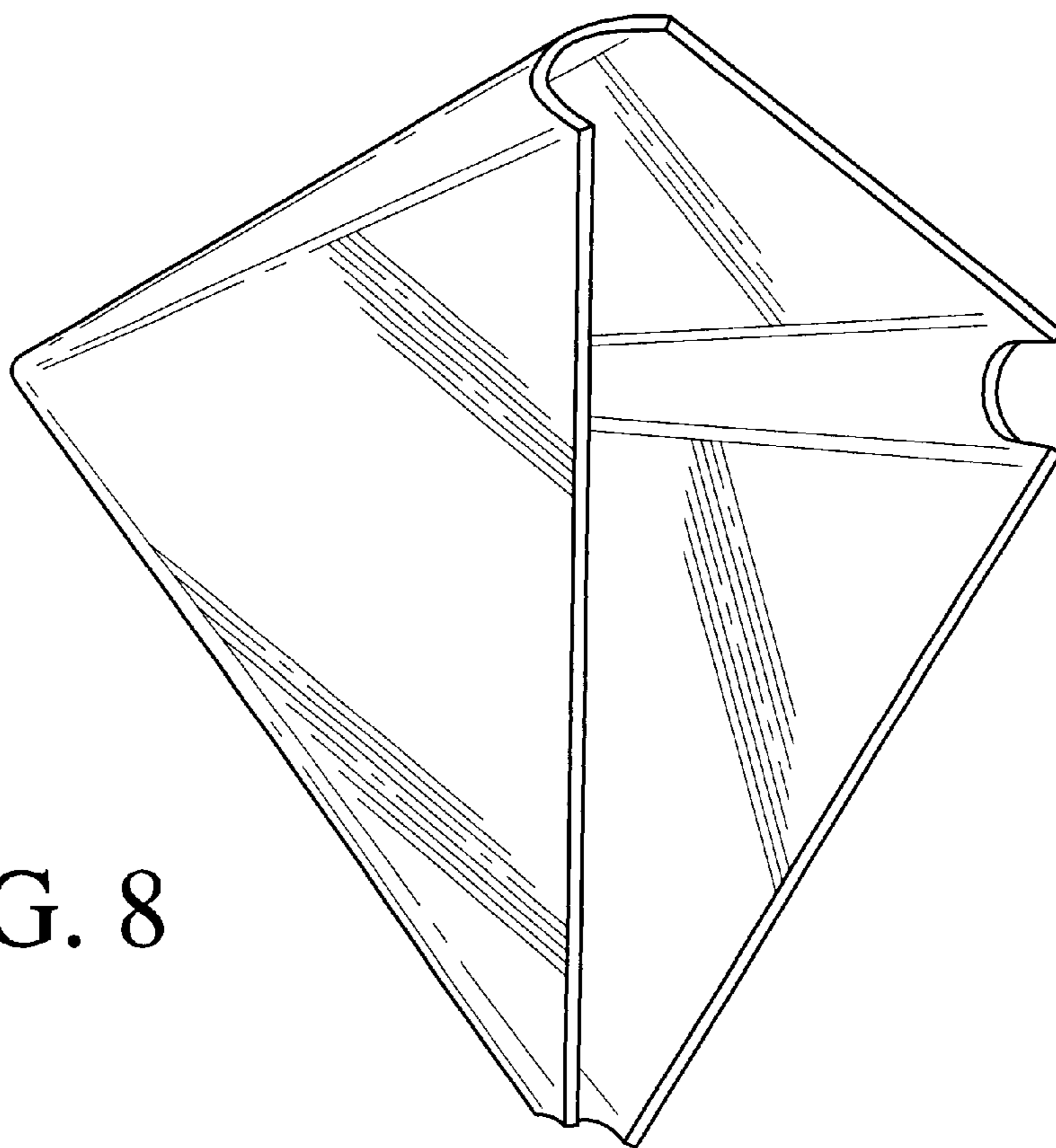


FIG. 8

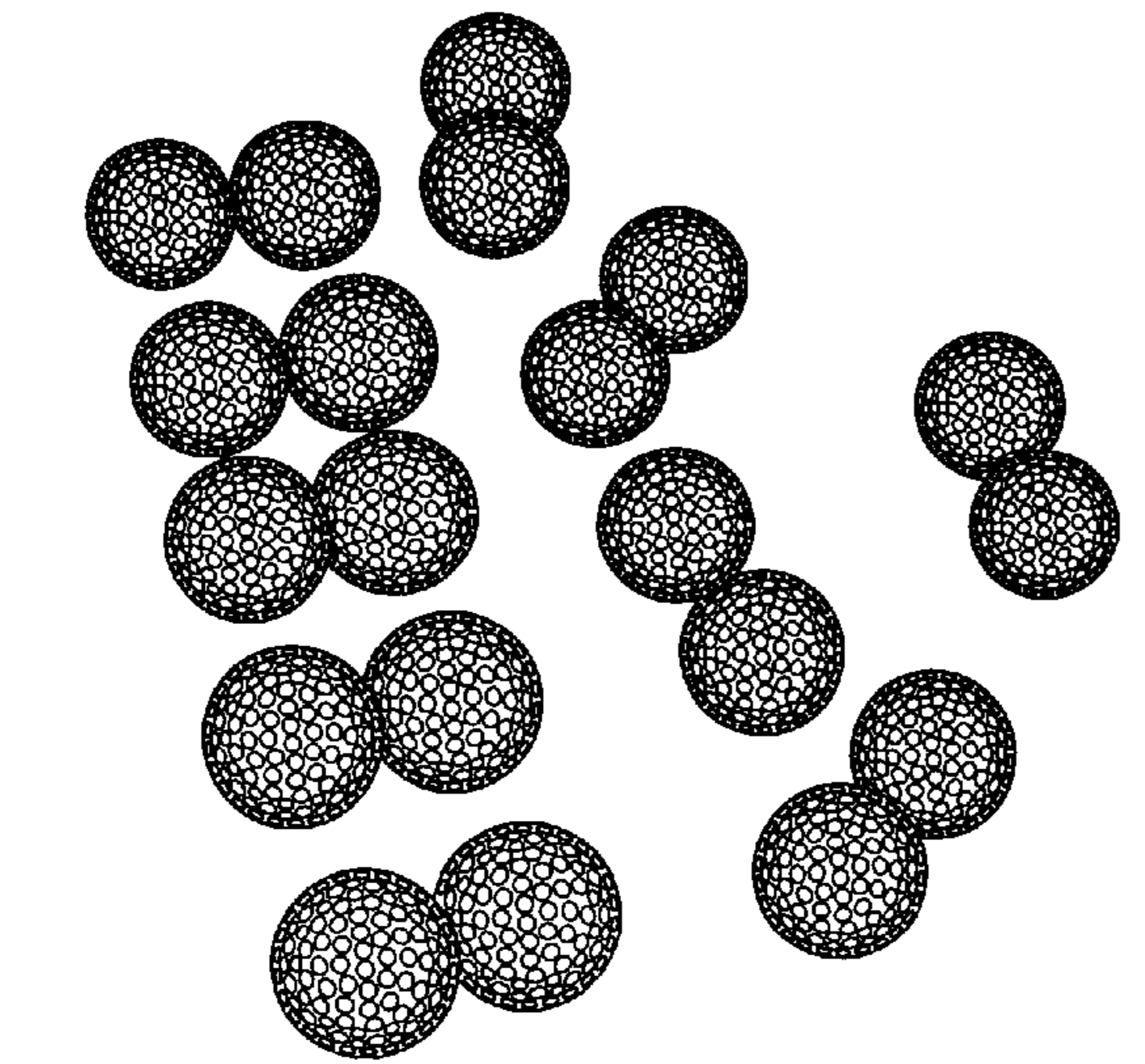


FIG. 9

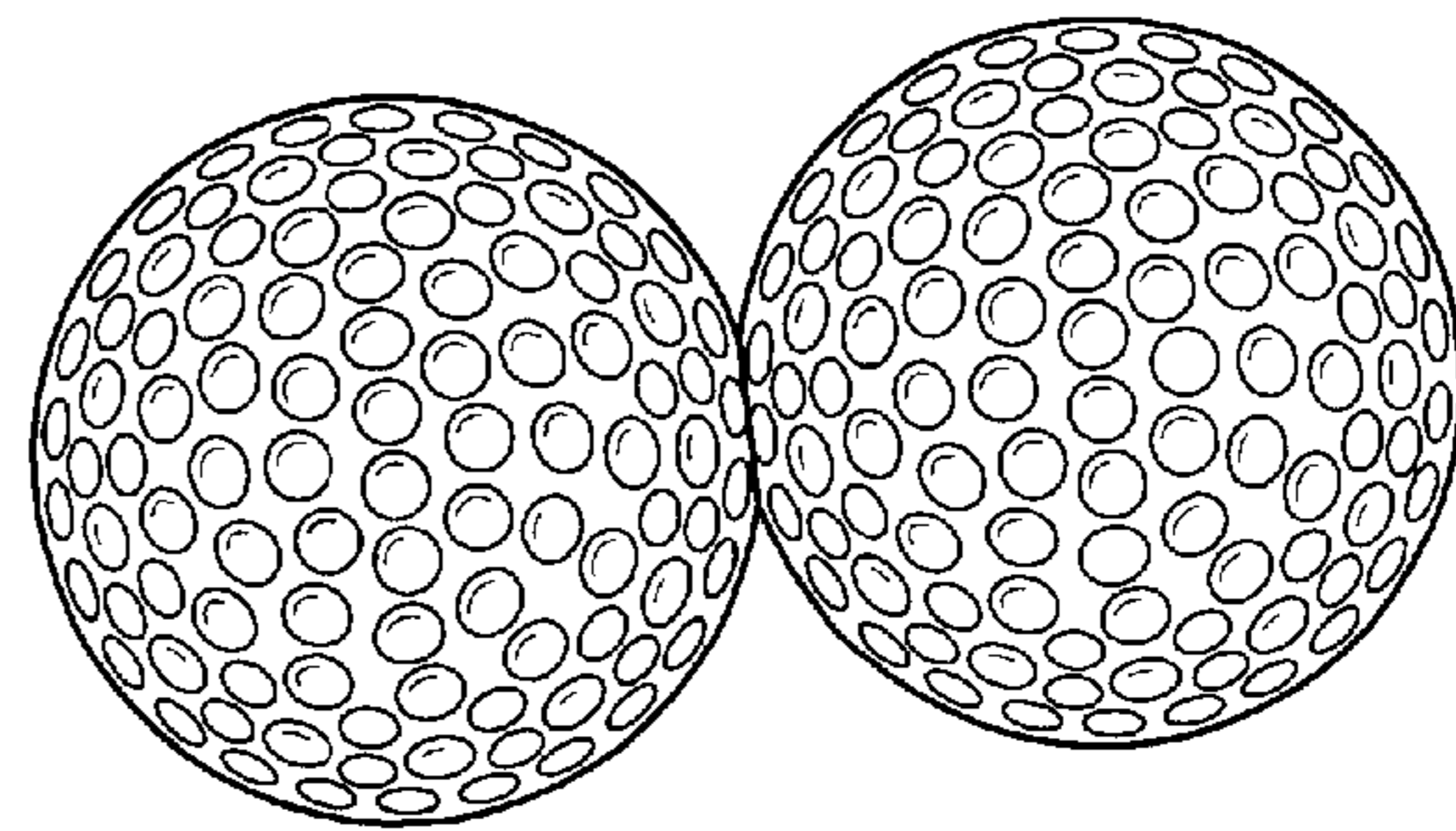


FIG. 10

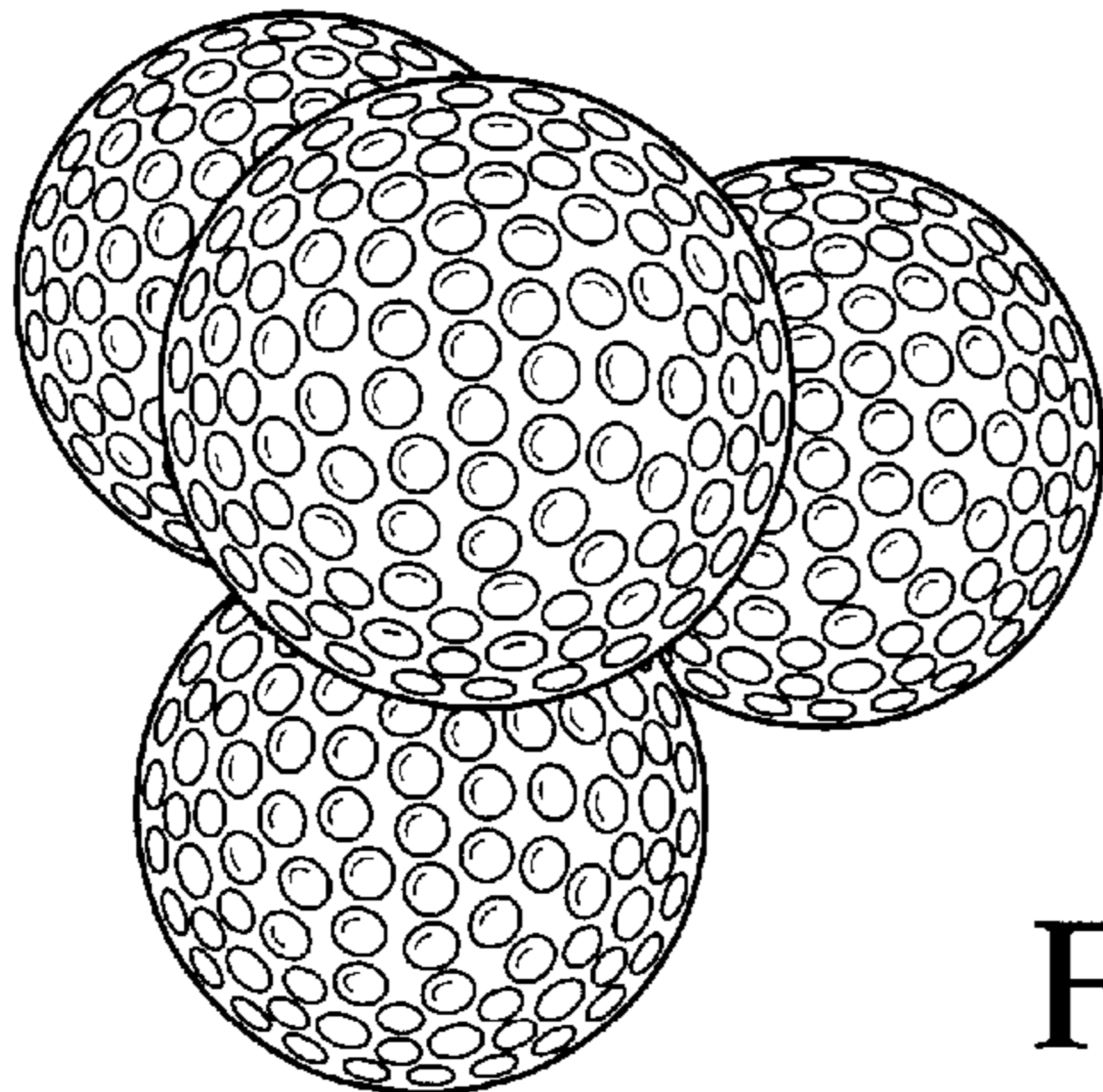


FIG. 11