



US00D524380S

(12) **United States Design Patent** (10) **Patent No.:** **US D524,380 S**
Seelig et al. (45) **Date of Patent:** **** Jul. 4, 2006**

(54) **GAMING DEVICE DISPLAY**
(75) Inventors: **Jerald C. Seelig**, Abescon, NJ (US);
Lawrence M. Henshaw, Hammonton,
NJ (US)
(73) Assignee: **Atlantic City Coin & Slot Service
Company, Inc.**, Pleasantville, NJ (US)

6,715,756 B1 * 4/2004 Inoue 273/138.1
D492,968 S * 7/2004 Seelig et al. D21/370
6,827,646 B1 * 12/2004 Adams 463/20
6,893,018 B1 * 5/2005 Inoue 273/138.1
6,905,407 B1 * 6/2005 Nordman 463/20
2004/0018866 A1 * 1/2004 Inoue 463/16
2004/0155399 A1 * 8/2004 Inoue 273/138.1

* cited by examiner

(*) Notice: This patent is subject to a terminal dis-
claimer.

Primary Examiner—Sandra L. Morris
(74) *Attorney, Agent, or Firm*—Ian F. Burns; Iand F. Burns
& Associates

(**) Term: **14 Years**

(57) **CLAIM**

(21) Appl. No.: **29/206,706**

An ornamental design for a gaming device display, as shown
and described.

(22) Filed: **Jun. 2, 2004**

(51) **LOC (8) Cl.** **21-03**
(52) **U.S. Cl.** **D21/370; D21/385**
(58) **Field of Classification Search** D21/325,
D21/329, 369–371, 374, 385; 273/138.1;
463/16–17, 20, 25, 42, 46–47
See application file for complete search history.

DESCRIPTION

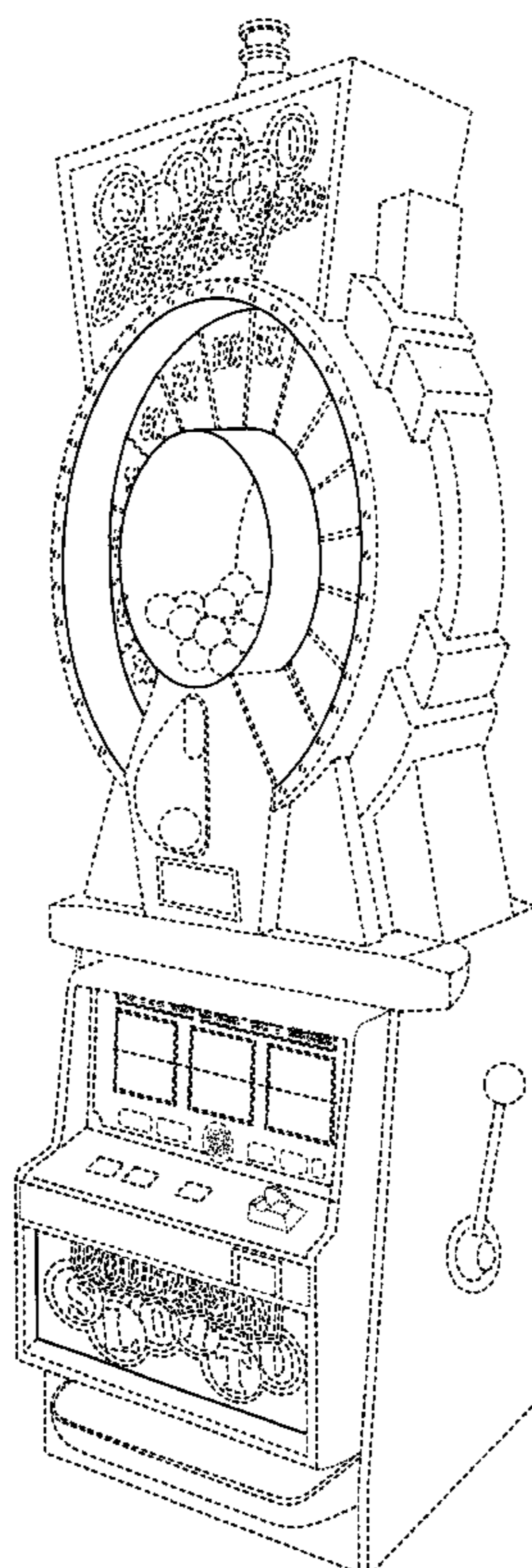
FIG. 1 is substantially a perspective view of the gaming
device display.
FIG. 2 is substantially a front elevational view of the gaming
device display shown in FIG. 1.
FIG. 3 is substantially a right side elevational view of the
gaming device display shown in FIG. 1.
FIG. 4 is substantially a left side view of the gaming device
display shown in FIG. 1; and,
FIG. 5 is substantially a top view of the gaming device
display shown in FIG. 1.
Broken lines illustrate features or environmental compo-
nents that are not part of the design sought to be patented.

(56) **References Cited**

U.S. PATENT DOCUMENTS

D332,976 S * 2/1993 Gutknecht et al. D21/370
6,105,962 A * 8/2000 Malavazos et al. 273/138.1
6,398,220 B1 * 6/2002 Inoue 273/138.1
D484,549 S * 12/2003 Seelig et al. D21/370
D486,869 S * 2/2004 Webb et al. D21/370
6,705,944 B1 * 3/2004 Luciano 463/20

1 Claim, 5 Drawing Sheets



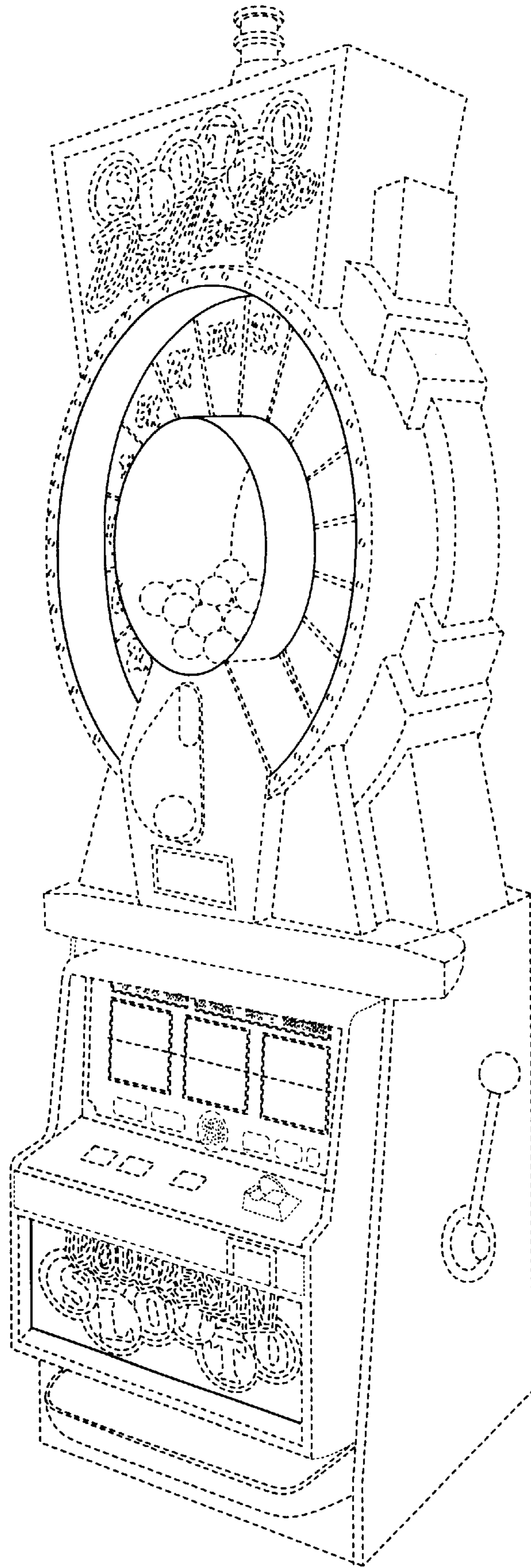


FIG. 1

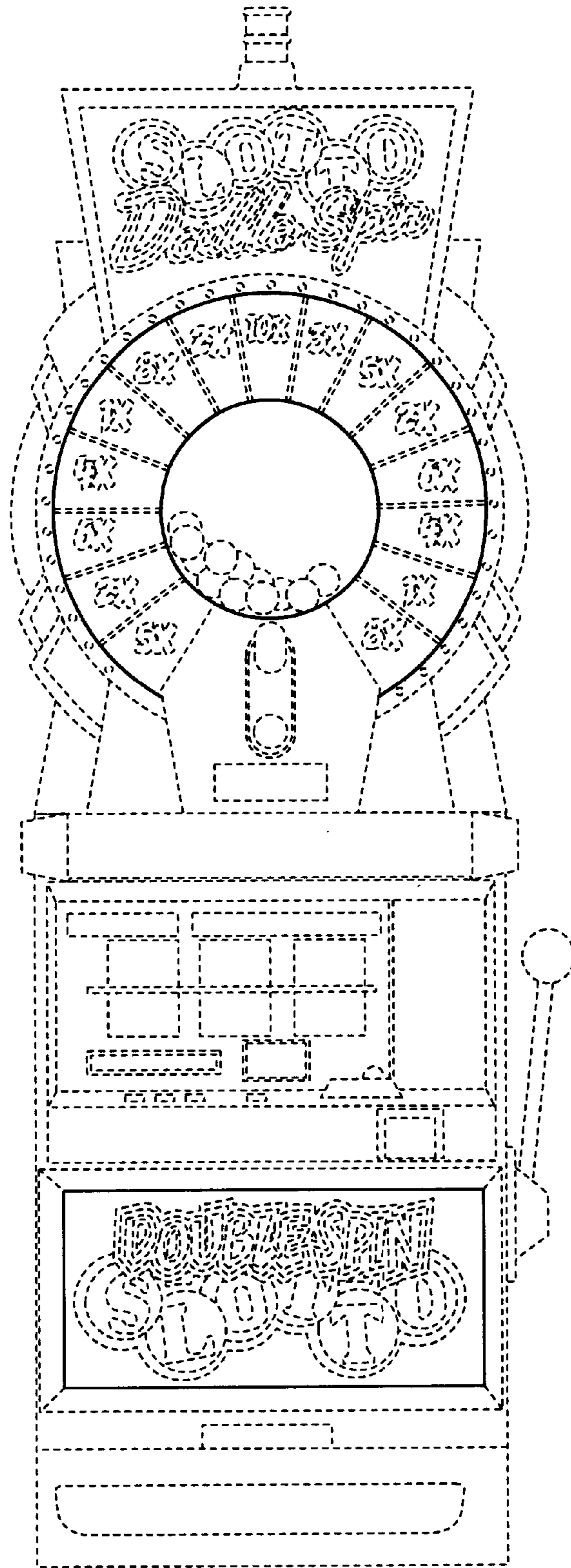


FIG. 2

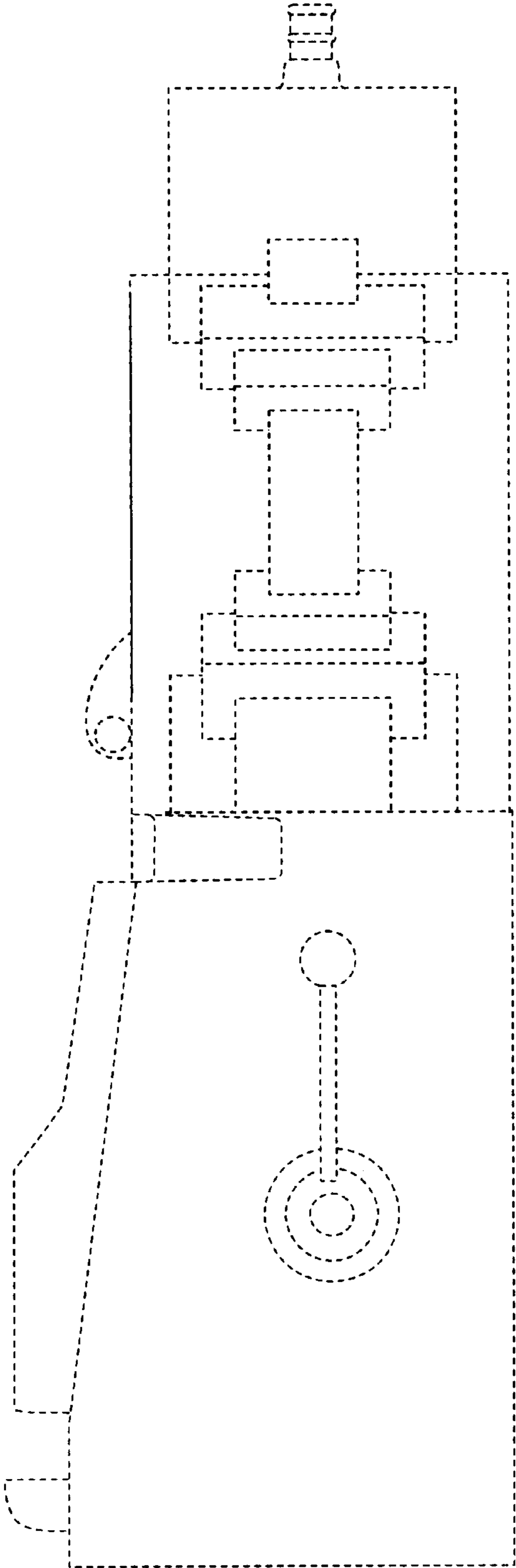


FIG. 3

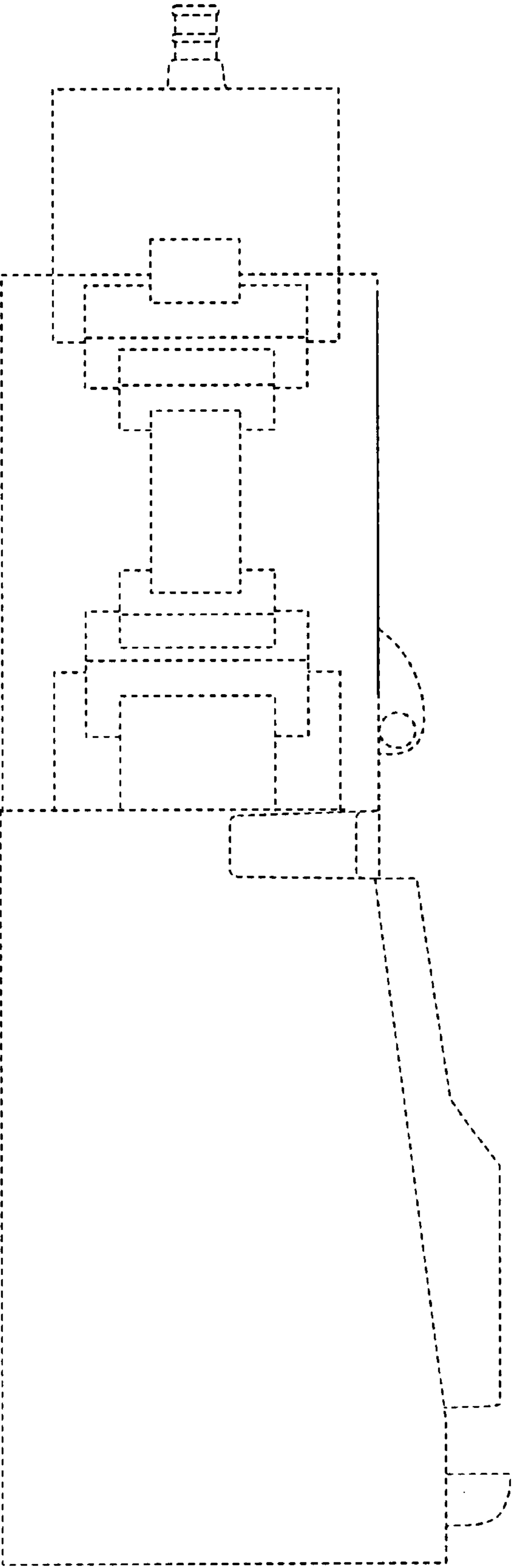


FIG. 4

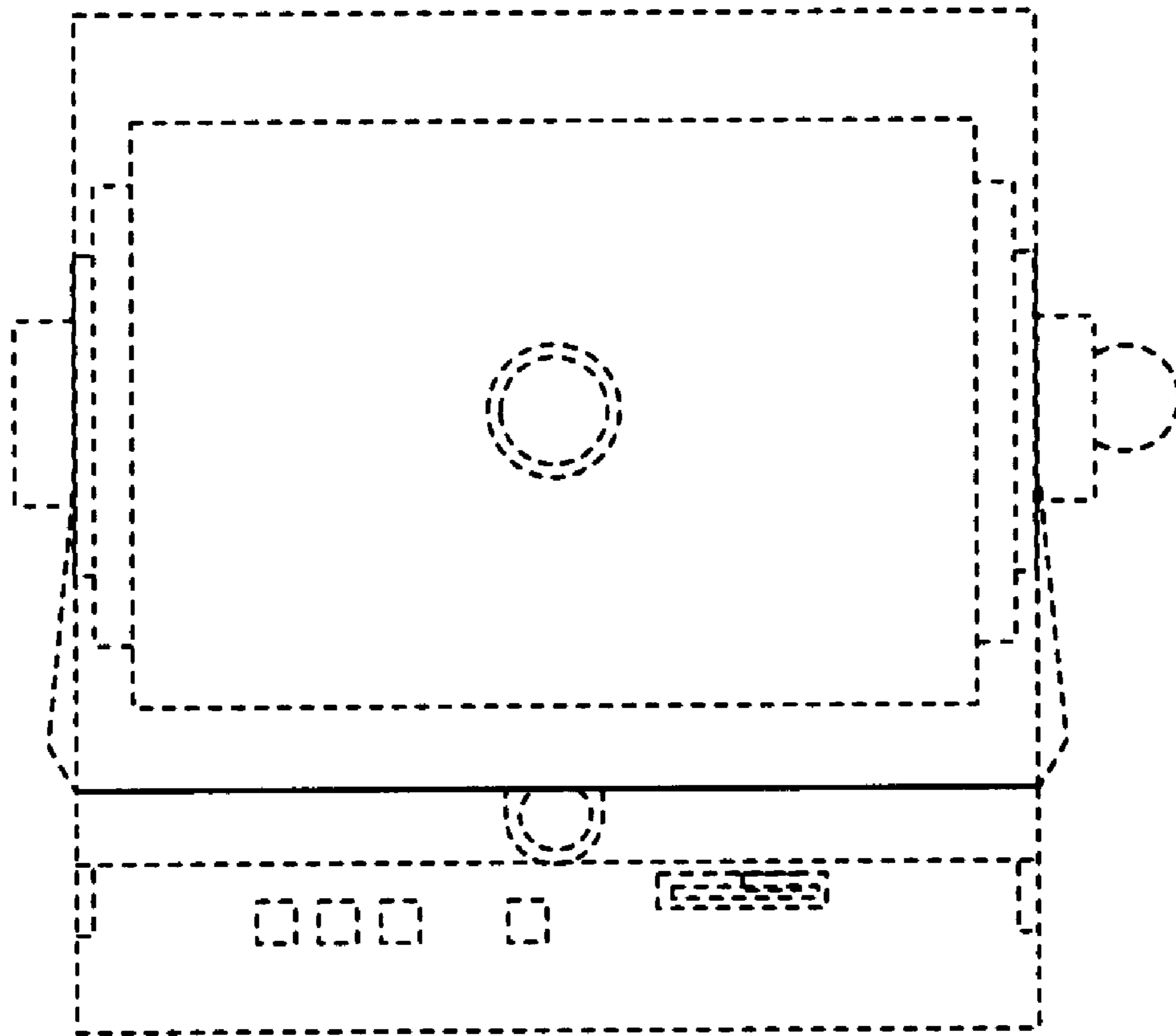


FIG. 5