

US00D524379S

(12) **United States Design Patent Law**

(10) **Patent No.: US D524,379 S**
(45) **Date of Patent: ** Jul. 4, 2006**

(54) **BASE FOR A TARGET AND SIGN SUPPORT**

(75) Inventor: **Verl Law**, Emmett, ID (US)

(73) Assignee: **Vemco, Inc.**, Emmett, ID (US)

(**) Term: **14 Years**

(21) Appl. No.: **29/226,884**

(22) Filed: **Apr. 1, 2005**

(51) **LOC (8) Cl.** **21-01**

(52) **U.S. Cl.** **D21/302**

(58) **Field of Classification Search** D21/300–304;
D3/328, 329; 273/317, 331, 343, 348, 406,
273/407, 390, 148 R, 367–369; D20/19,
D20/42, 39

See application file for complete search history.

(56) **References Cited**

U.S. PATENT DOCUMENTS

216,177 A	6/1879	Greig	
1,002,260 A	9/1911	Golden	
2,372,111 A	3/1945	Norberg	273/102
2,722,420 A	11/1955	Adamson	273/102
2,890,051 A	6/1959	Williams	273/102
3,080,166 A	3/1963	Clark	273/102
3,169,771 A	* 2/1965	Holmes	473/143
3,540,729 A	11/1970	Rahberger	273/102
3,601,353 A	8/1971	Dale	248/470
3,647,214 A	3/1972	Hohmann	273/105.6
3,752,476 A	8/1973	Mahoney	273/1.5 A
4,029,318 A	6/1977	Boss	273/102 S
4,343,449 A	8/1982	Osthus	248/156
4,811,956 A	3/1989	Foreman	273/407
4,913,389 A	* 4/1990	McCracken	248/156
5,036,613 A	8/1991	Smith	42/94
5,067,683 A	11/1991	Wager	248/545
5,209,492 A	5/1993	Hamilton	273/407
5,441,267 A	* 8/1995	Alder	473/173
5,671,924 A	9/1997	Scott	273/407
5,678,824 A	10/1997	Fortier et al.	273/407

5,860,534 A	1/1999	Minneman et al.	211/13.1
5,860,654 A	1/1999	Jacobs	273/407
5,938,203 A	8/1999	Beckwith, Sr.	273/407
5,947,477 A	9/1999	Turnipseed	273/407
5,967,523 A	* 10/1999	Brownlee	273/407
6,041,559 A	* 3/2000	Schickert et al.	52/165
D425,135 S	5/2000	Quiring	D21/302
6,196,511 B1	3/2001	Beauchemin	248/328
6,257,584 B1	7/2001	Nasuti	273/407
6,435,512 B1	8/2002	Beckwith, Sr.	273/407
D478,939 S	* 8/2003	McReynolds	D21/302
6,666,781 B1	* 12/2003	Illis	473/453
6,726,208 B1	* 4/2004	Wilkus	273/407
6,761,357 B1	7/2004	Witt et al.	273/407
2002/0088157 A1	7/2002	Winterton et al.	40/610

* cited by examiner

Primary Examiner—Prabhakar Deshmukh

(74) *Attorney, Agent, or Firm*—Kent S. Burningham, P.C.

(57) **CLAIM**

The ornamental design for base for a target and sign support, as shown and described.

DESCRIPTION

FIG. 1 is a perspective view of a base for a target and sign support showing my new design, shown in its environmental use with the base on soft ground;

FIG. 2 is a perspective view thereof, shown in it's another environmental use and the base with a counterweight;

FIG. 3 is an enlarged scale perspective view of the base;

FIG. 4 is a front elevational view of FIG. 3;

FIG. 5 is a left side elevational view of FIG. 3;

FIG. 6 is a rear elevational view of FIG. 3;

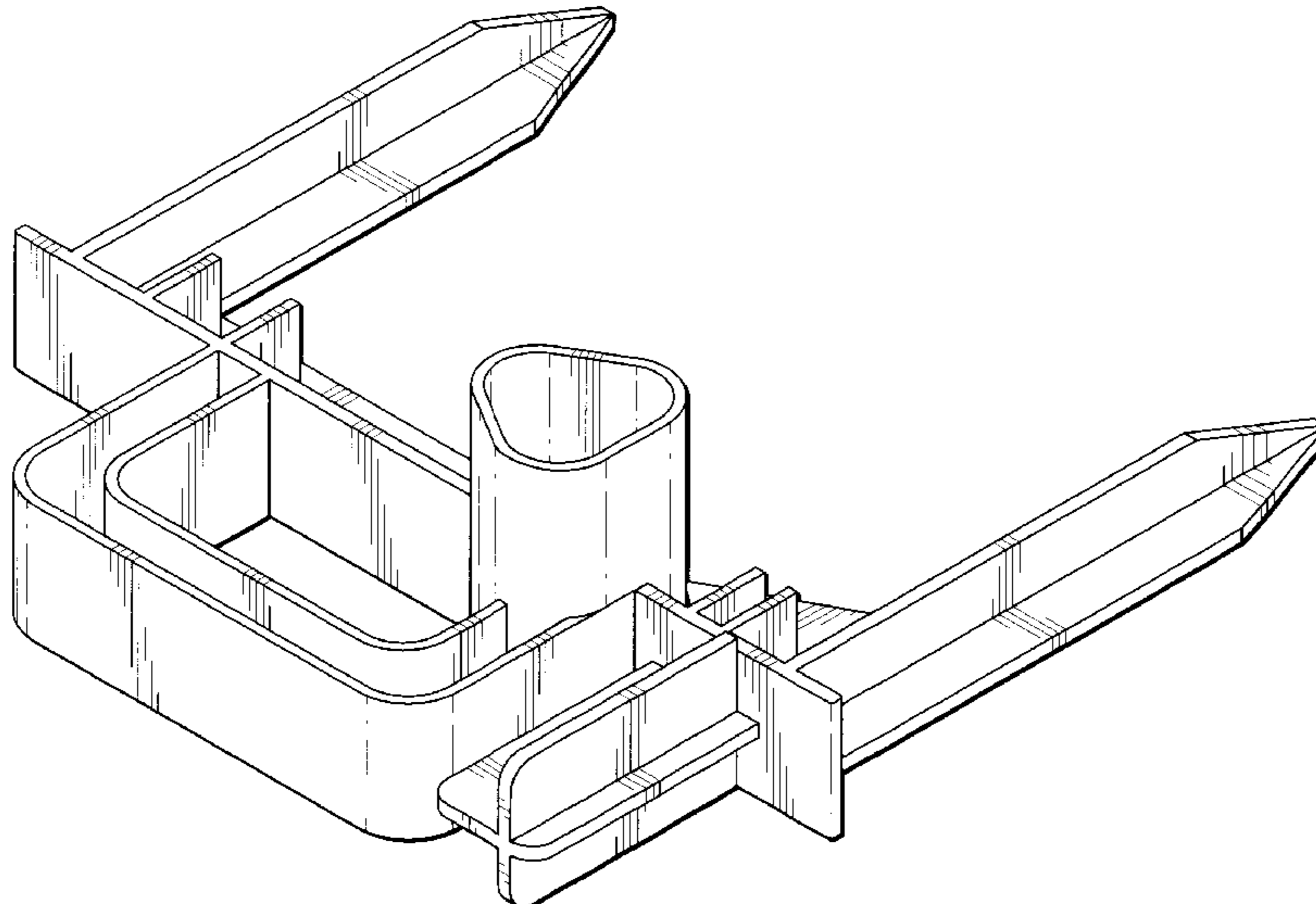
FIG. 7 is a right side elevational view of FIG. 3;

FIG. 8 is a top plan view of FIG. 3; and,

FIG. 9 is a bottom plan view thereof.

The broken lines showing of target, counterweight and surface are for illustrative purpose only and form no part of the claimed design.

1 Claim, 5 Drawing Sheets



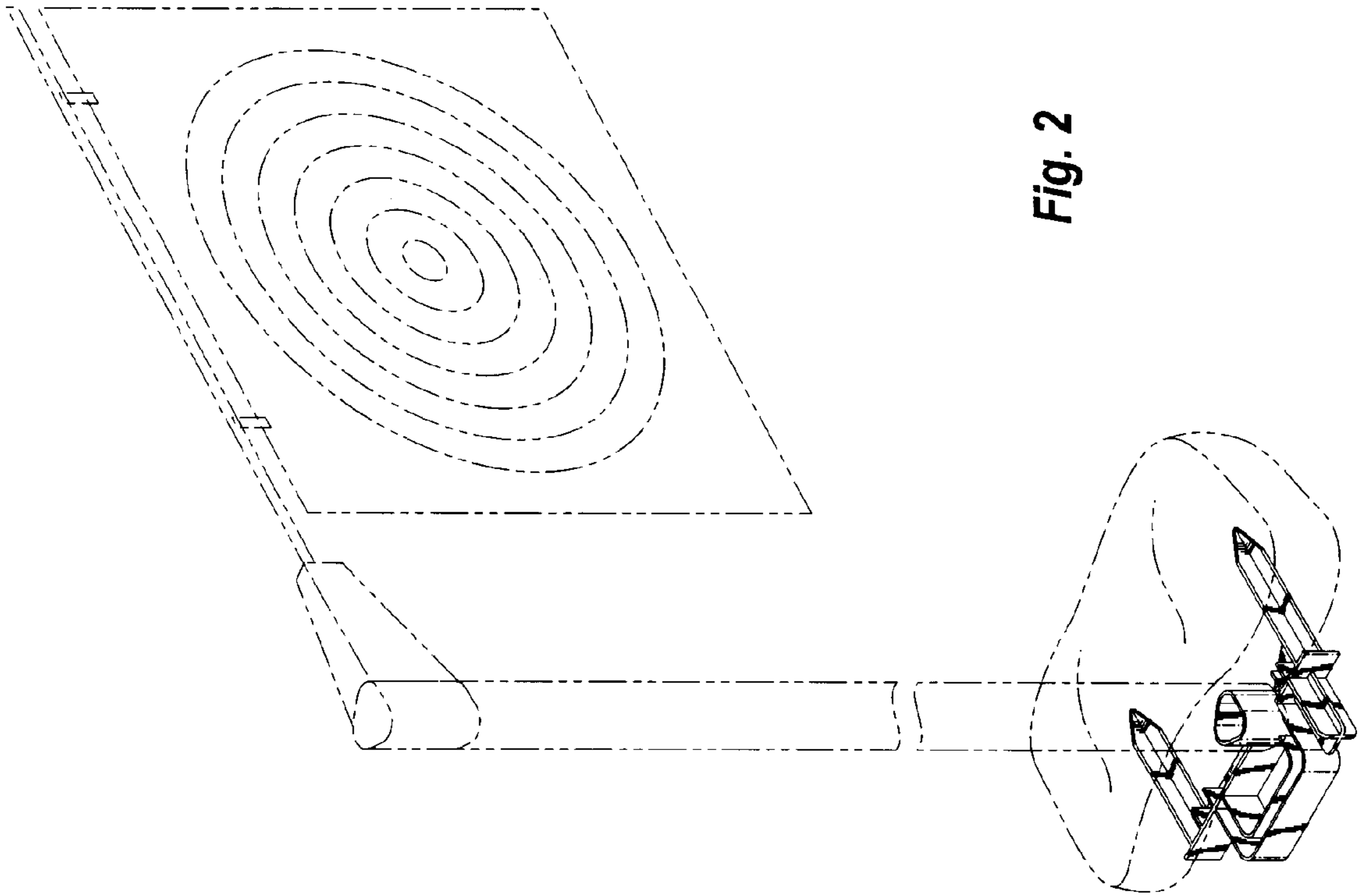


Fig. 2

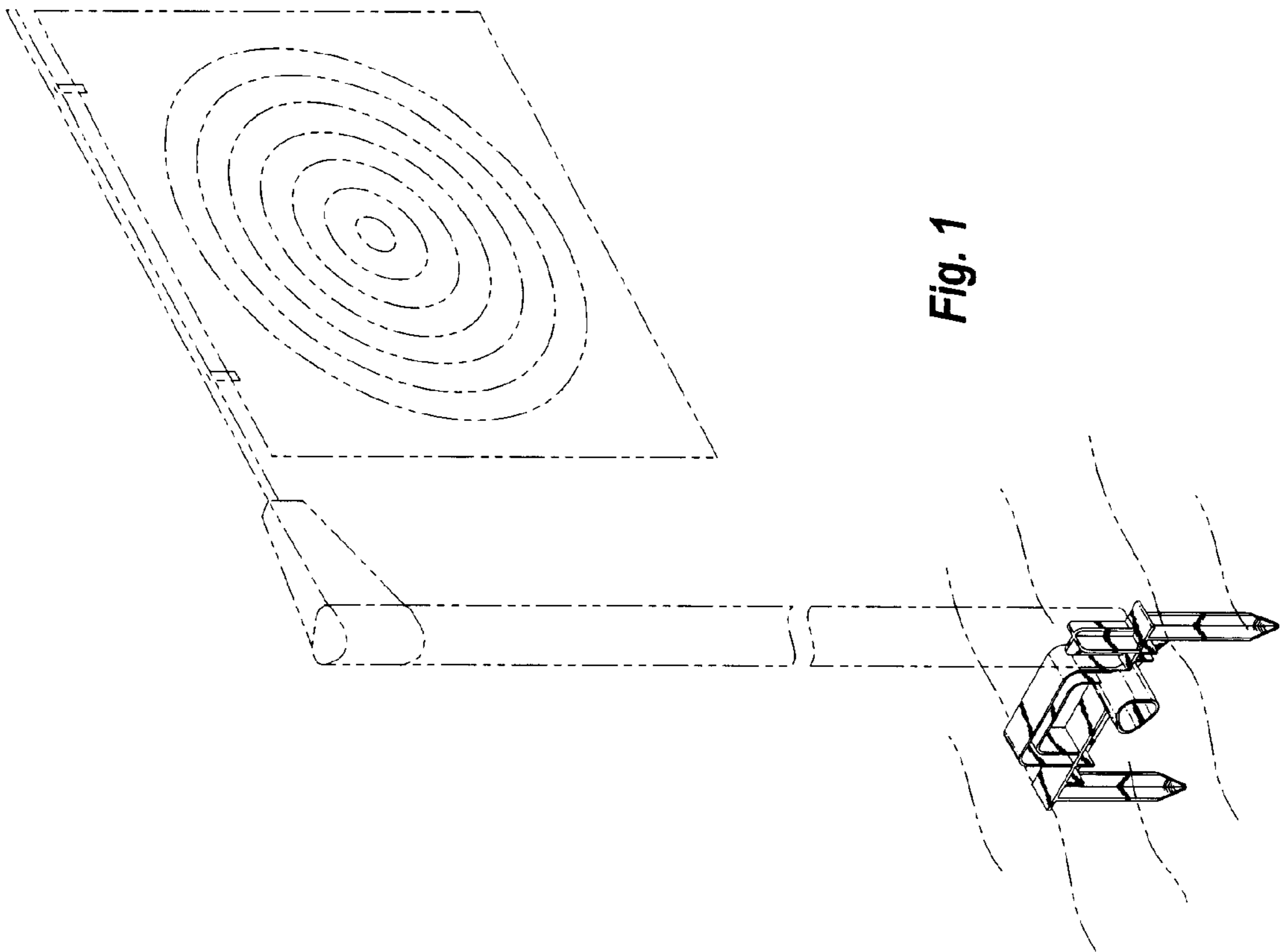


Fig. 1

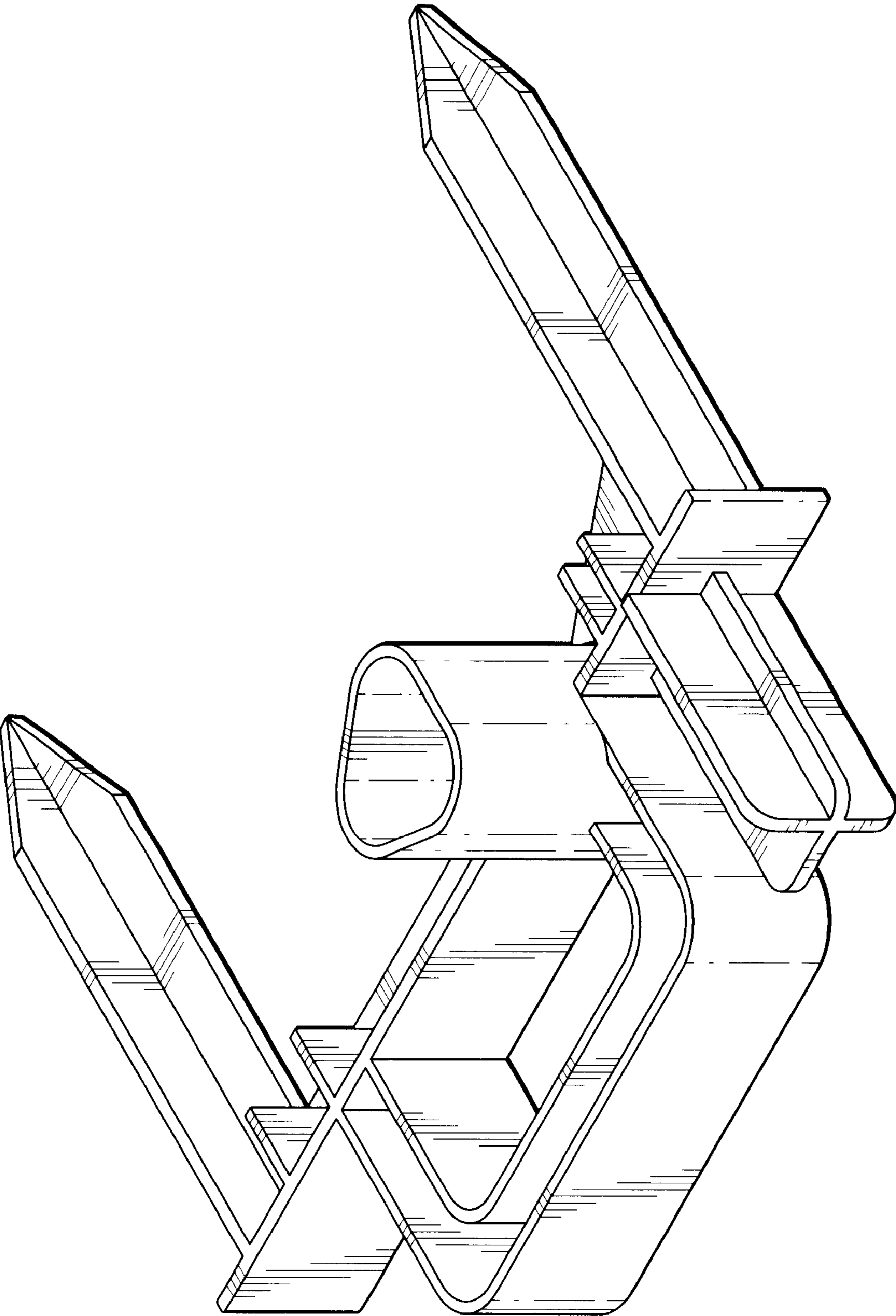


Fig. 3

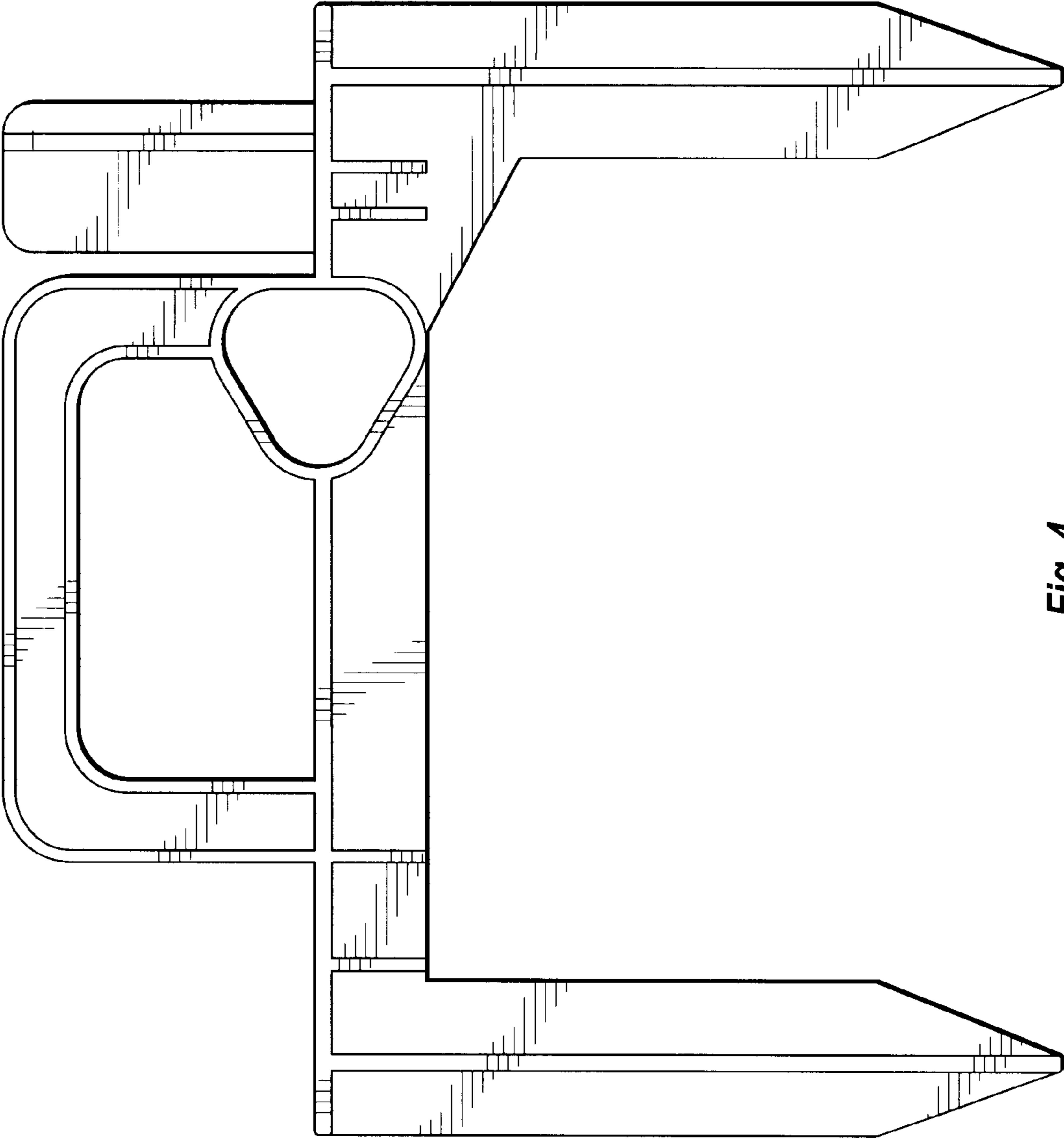


Fig. 4

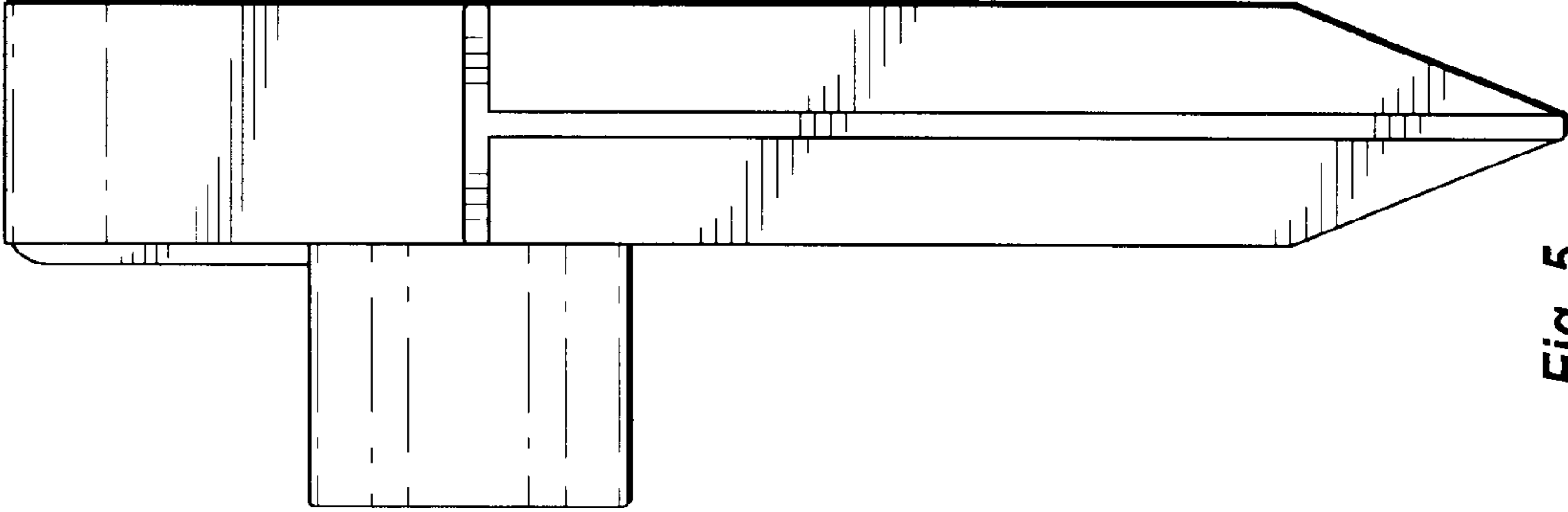


Fig. 5

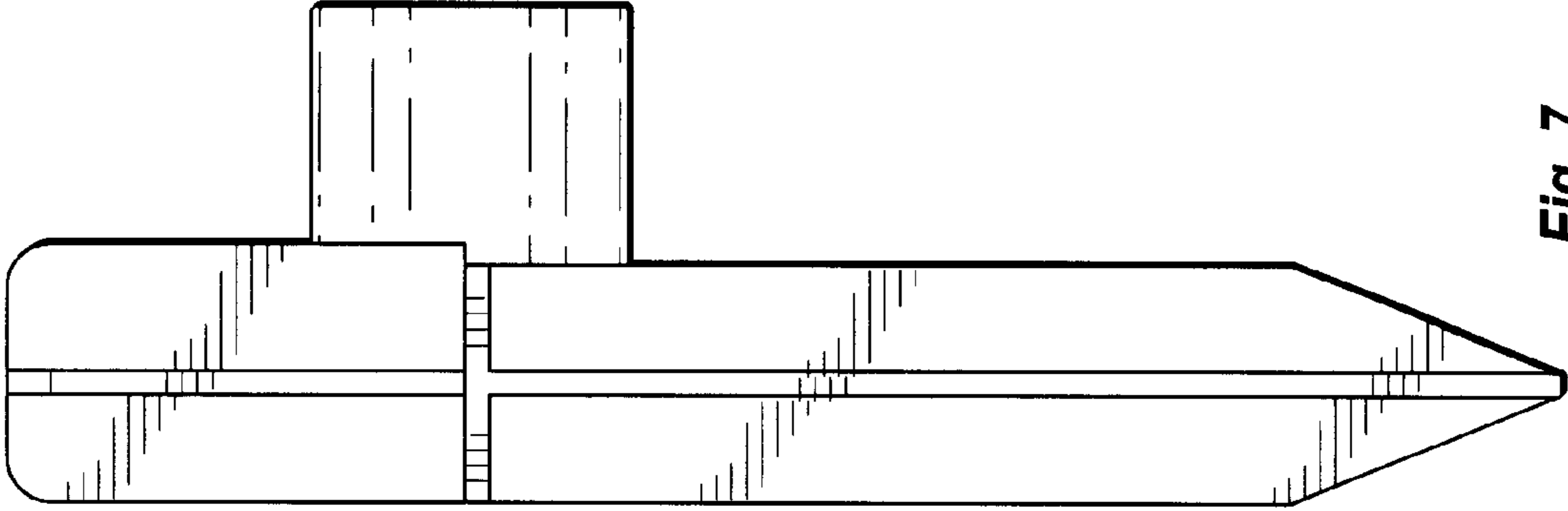


Fig. 7

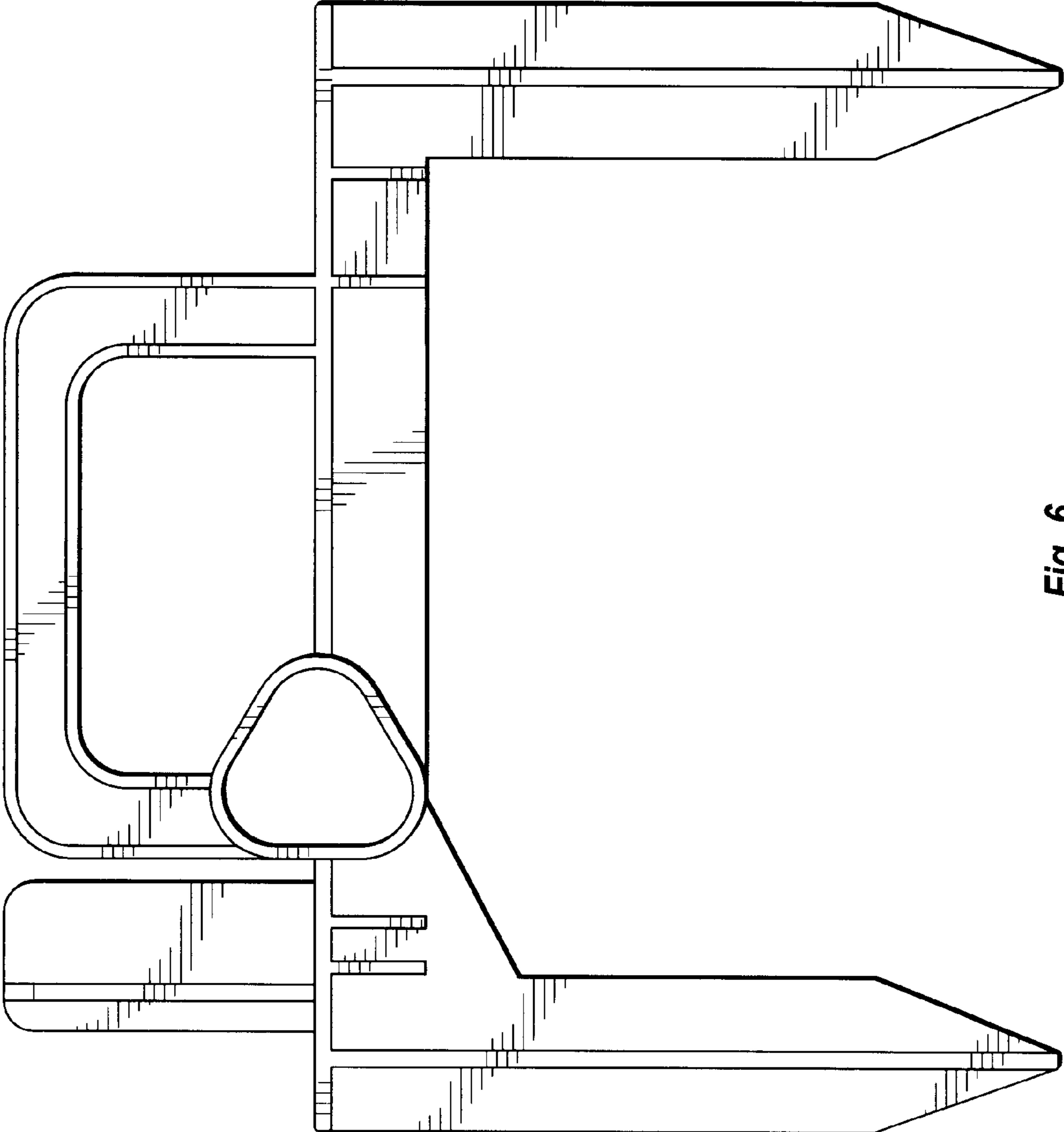


Fig. 6

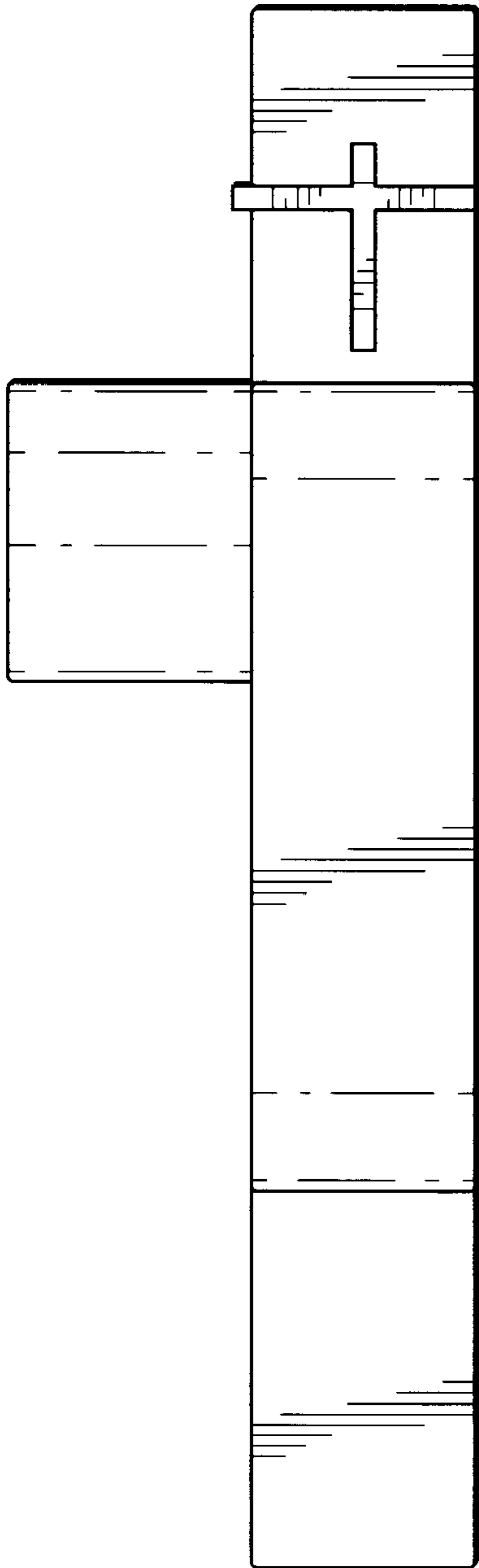


Fig. 8

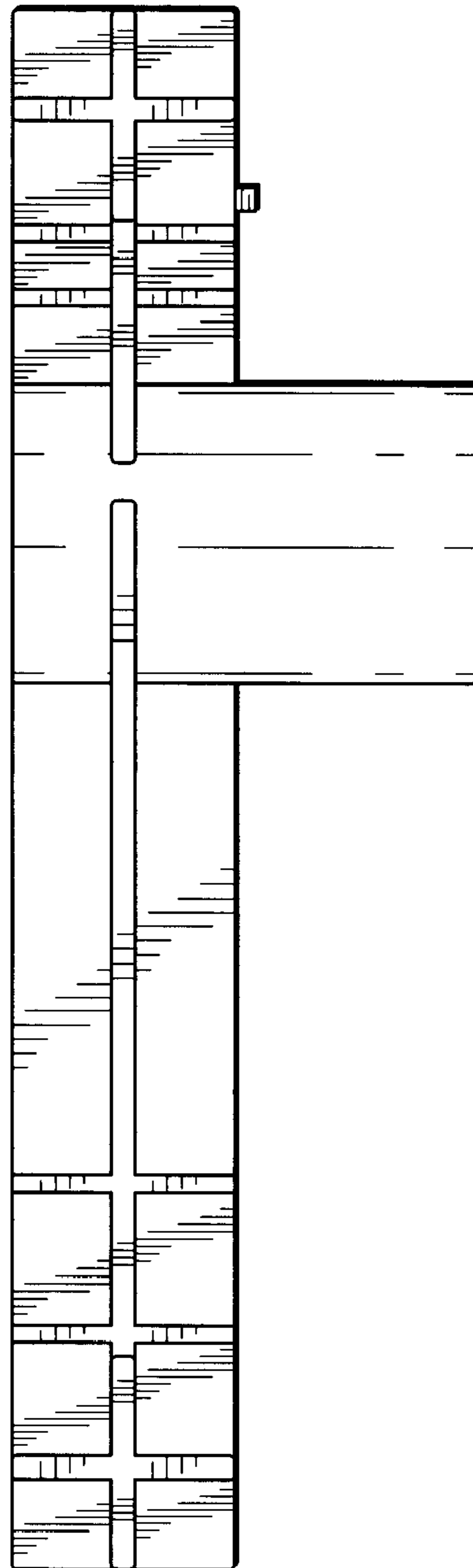


Fig. 9