



US00D524376S

(12) **United States Design Patent**
Flynn

(10) **Patent No.:** **US D524,376 S**

(45) **Date of Patent:** **** Jul. 4, 2006**

(54) **TAPE CADDY**

(76) **Inventor:** **Garry L. Flynn**, 210 Valley View Dr.,
Sequim, WA (US) 98382

(**) **Term:** **14 Years**

(21) **Appl. No.:** **29/224,242**

(22) **Filed:** **Feb. 28, 2005**

(51) **LOC (8) Cl.** **19-02**

(52) **U.S. Cl.** **D19/69**

(58) **Field of Classification Search** D19/67,
D19/68, 69, 70; 156/523, 527, 577, 579;
206/411; 225/6, 11, 19, 25, 26, 39, 56, 77;
242/588.1, 588.2, 588.3, 588.6

See application file for complete search history.

D273,875 S	*	5/1984	Hill	D19/69
4,570,837 A	*	2/1986	Belokin	225/42
D325,394 S	*	4/1992	Ishii	D19/68
5,482,182 A		1/1996	Thompson et al.		
D399,257 S	*	10/1998	Tang et al.	D19/69
D448,415 S	*	9/2001	Huang	D19/69
6,293,452 B1	*	9/2001	Mandar	225/39
D485,171 S	*	1/2004	Chandaria	D9/715
2004/0084496 A1	*	5/2004	Yu Chen	225/25

* cited by examiner

Primary Examiner—Caron D. Veynar

Assistant Examiner—Elizabeth Albert

(74) *Attorney, Agent, or Firm*—Donald R. Schoonover

(57) **CLAIM**

I claim the ornamental design for a tape caddy, as shown and described.

DESCRIPTION

FIG. 1 is a perspective view of a tape caddy showing my new design;

FIG. 2 is a front elevational view thereof;

FIG. 3 is a rear elevational view thereof;

FIG. 4 is a left side elevational view thereof;

FIG. 5 is a right side elevational view thereof;

FIG. 6 is a top plan view thereof; and,

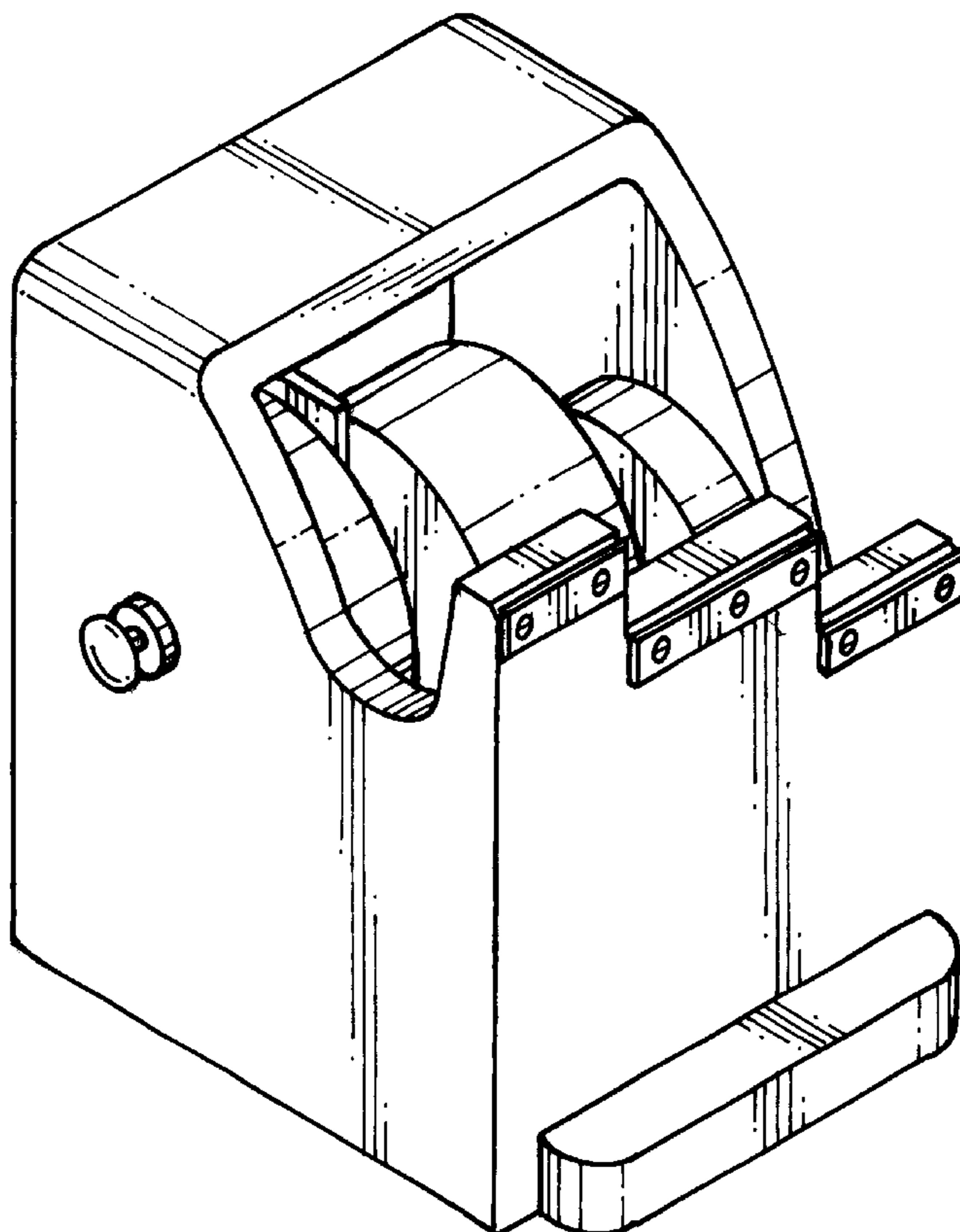
FIG. 7 is a bottom plan view thereof.

1 Claim, 4 Drawing Sheets

(56) **References Cited**

U.S. PATENT DOCUMENTS

1,135,110 A		4/1915	Hall		
2,352,445 A	*	6/1944	Pinckney	225/20
2,361,730 A		10/1944	Avrick		
2,414,333 A		1/1947	Schieman		
2,424,486 A	*	7/1947	Miller	225/25
2,708,076 A	*	5/1955	Polster et al.	225/34
3,468,743 A		9/1969	Soriano		
3,768,713 A	*	10/1973	Lash	225/34
4,249,658 A		2/1981	Ogura		



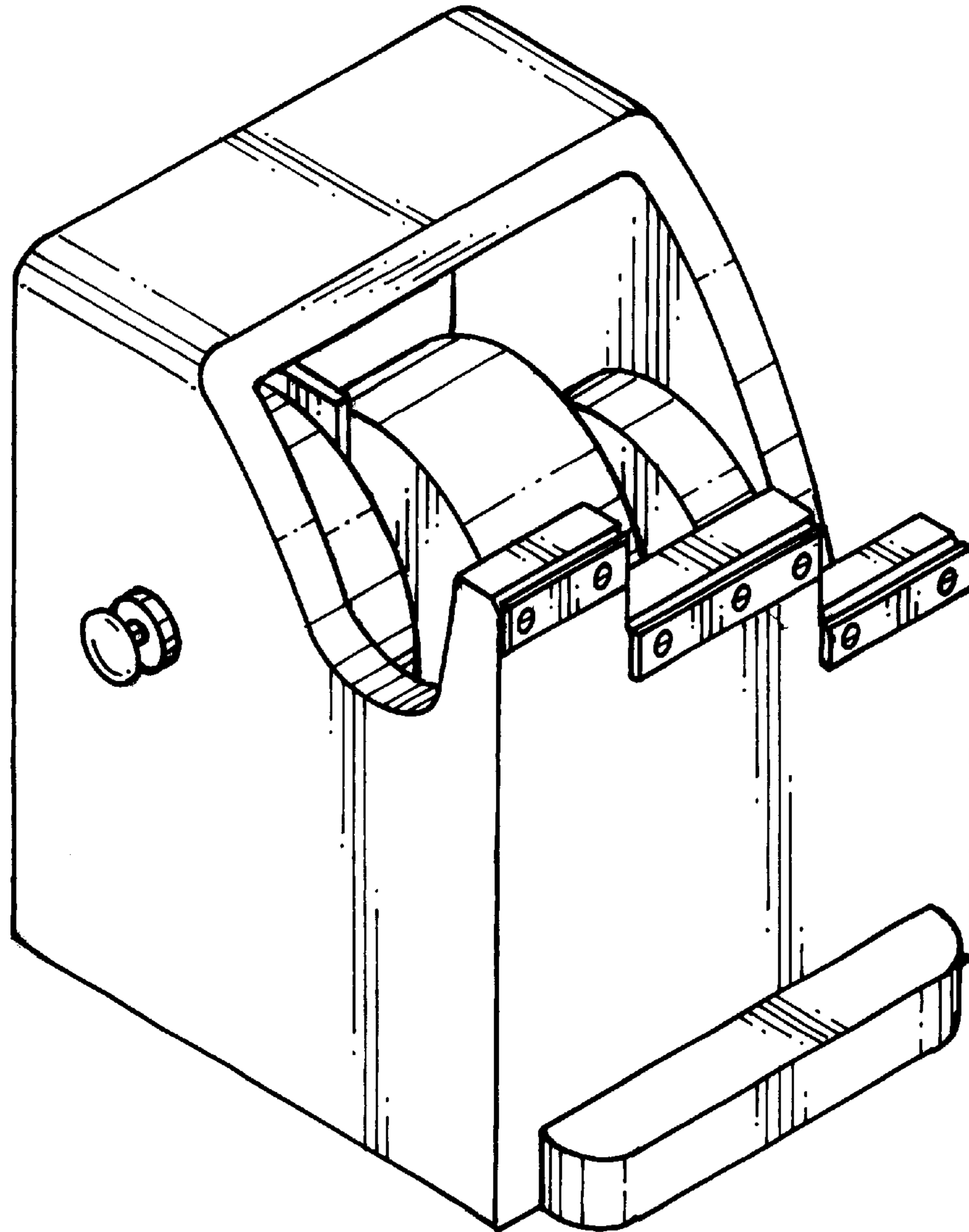


FIG. 1.

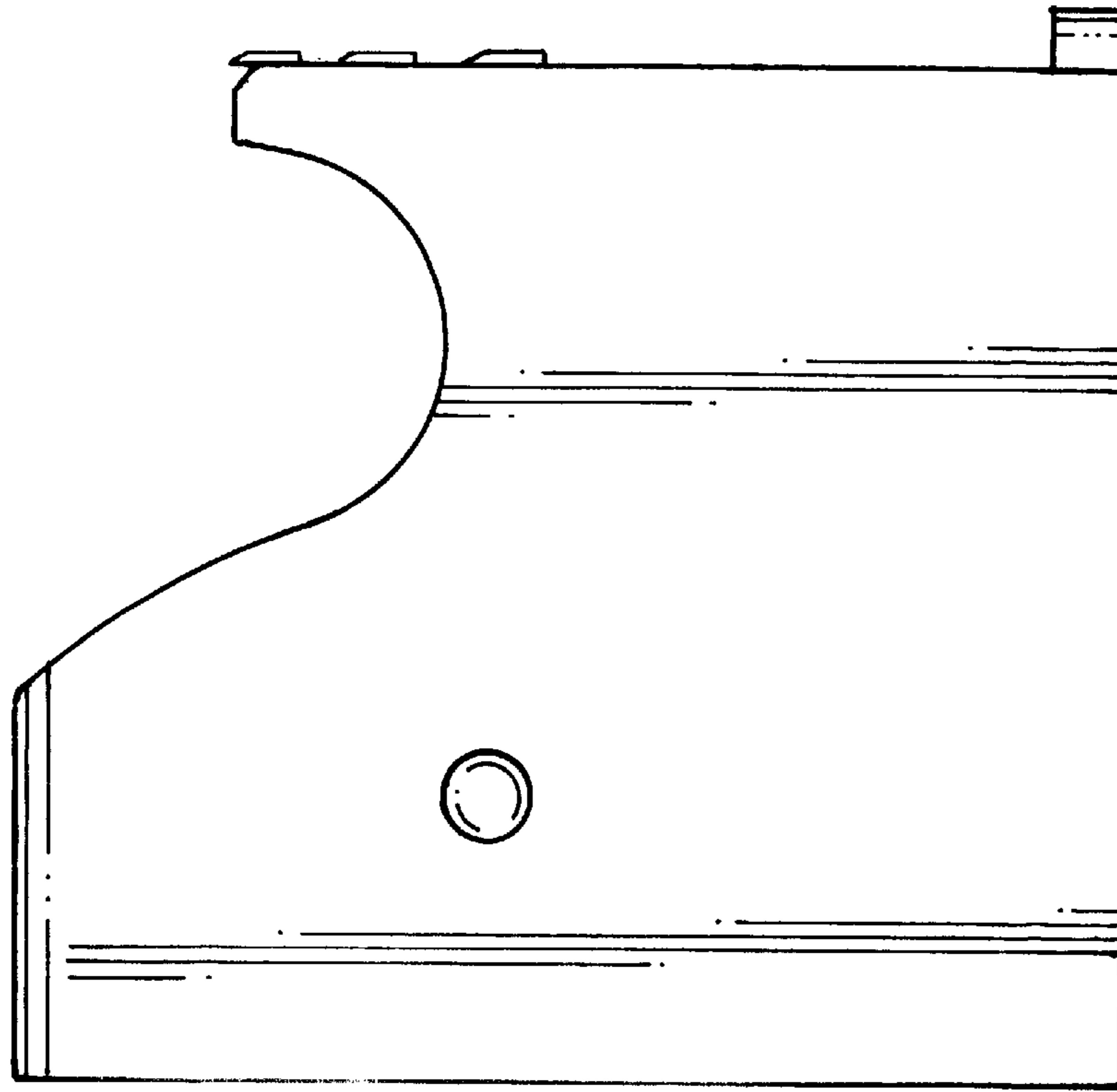


FIG. 5.

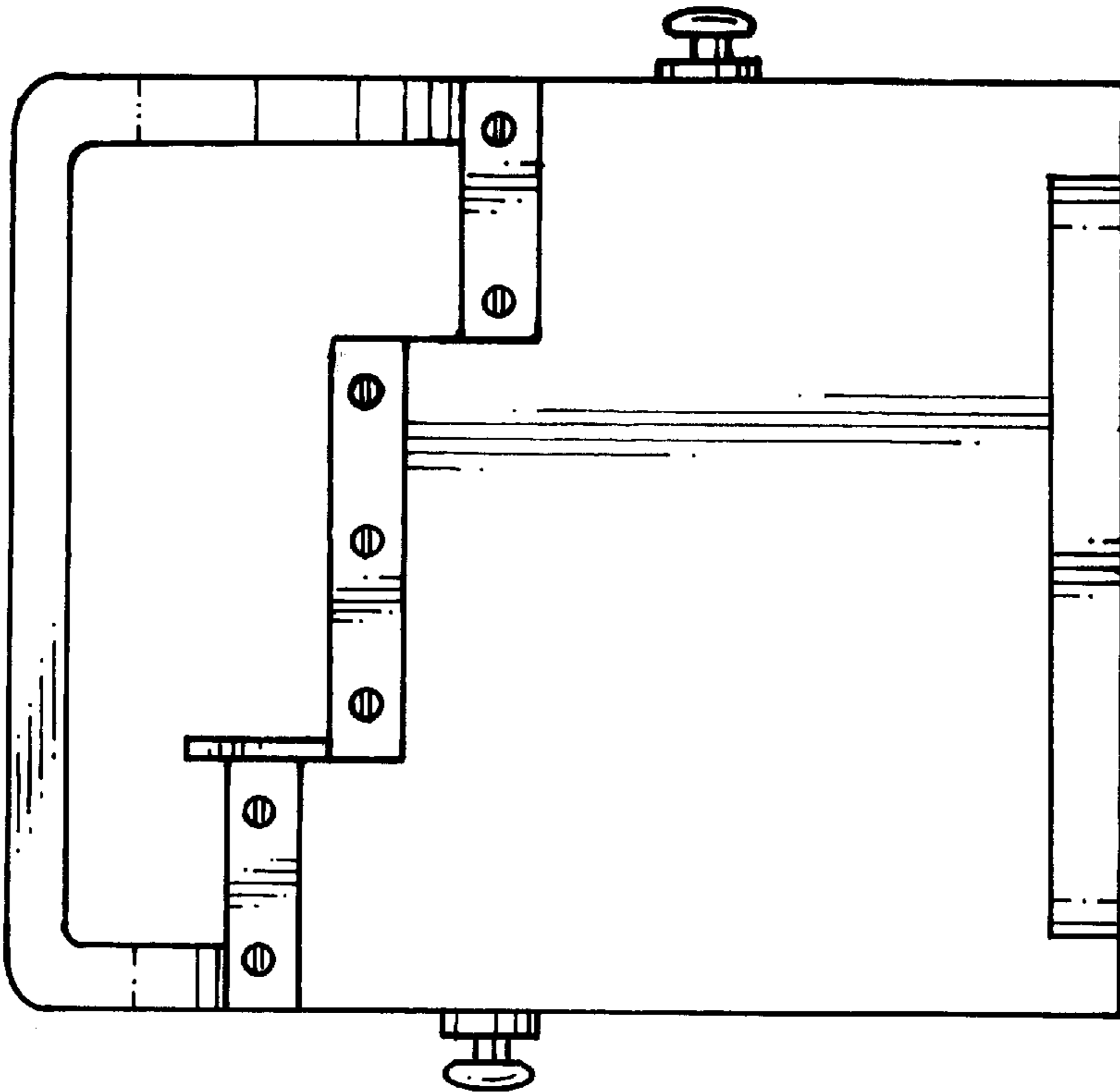


FIG. 2.

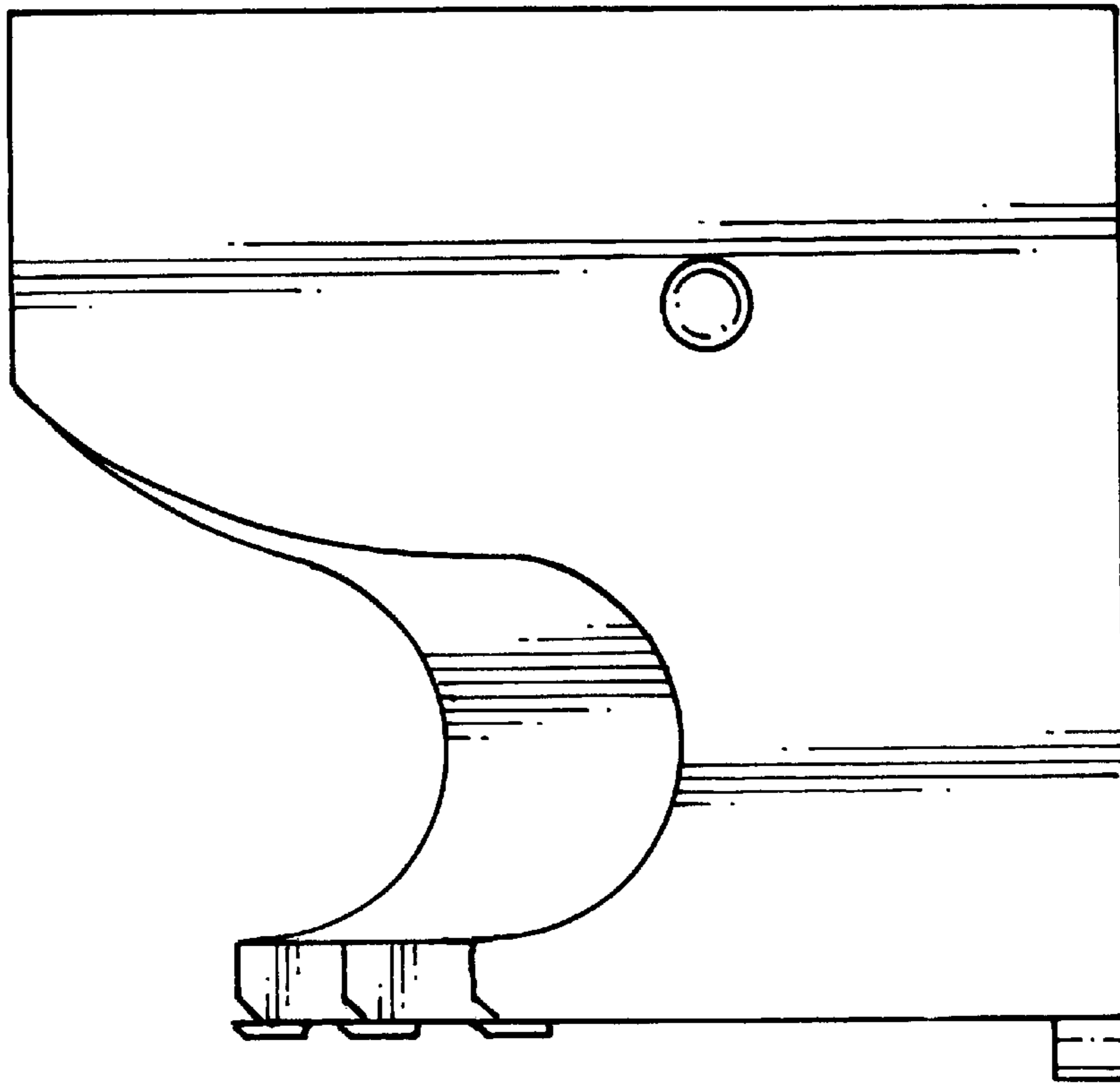


FIG. 4.

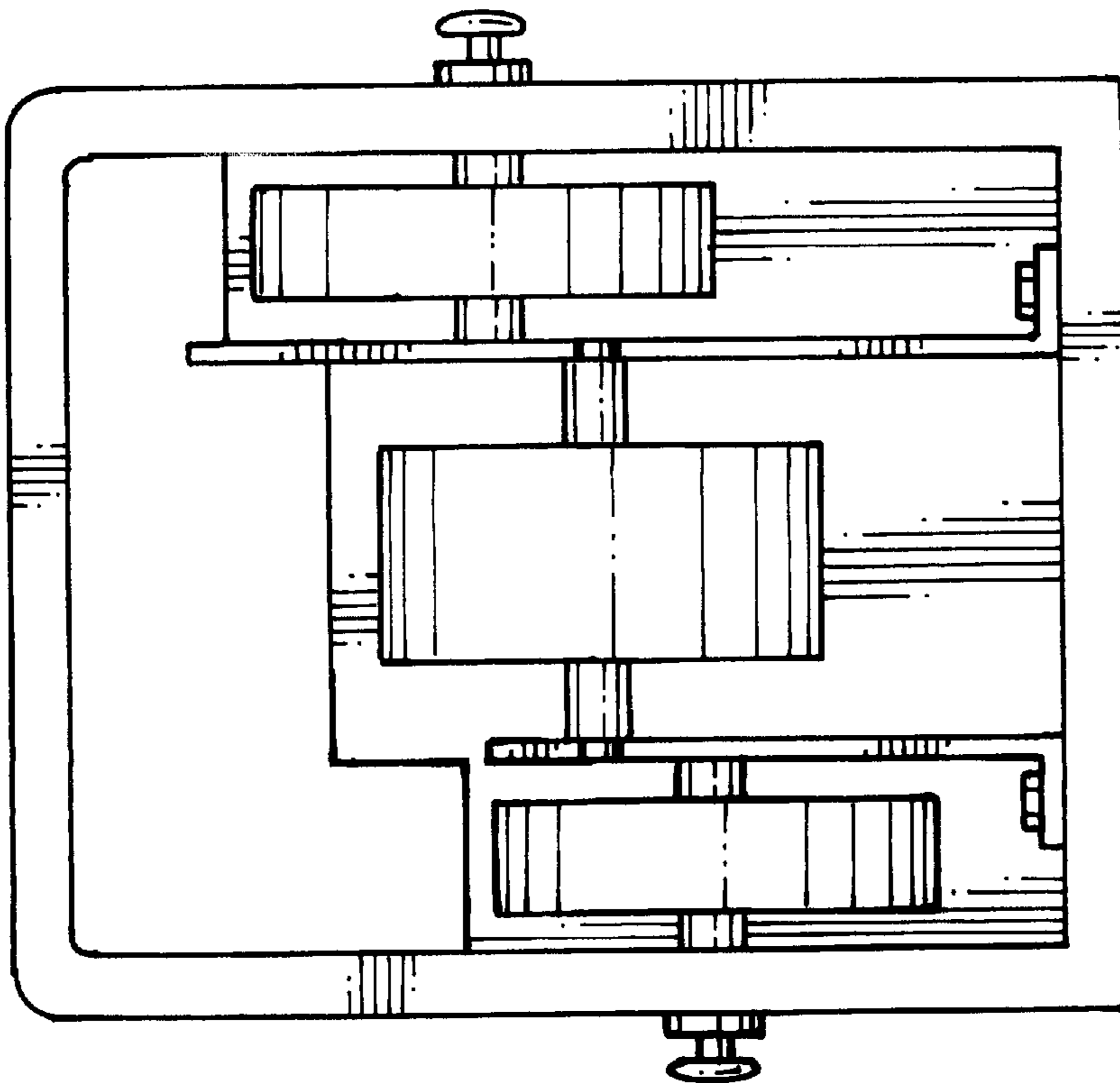


FIG. 3.

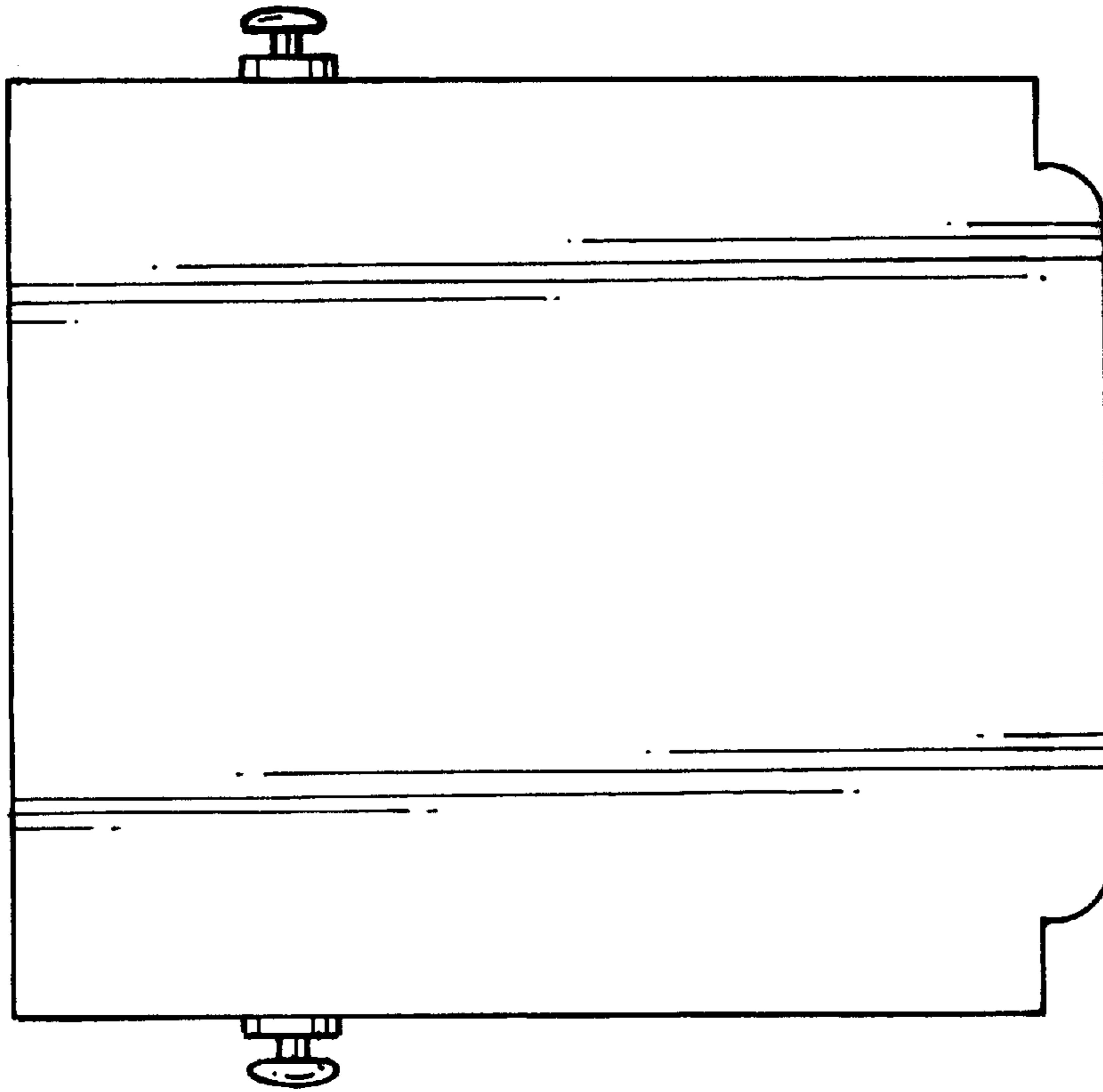


FIG. 7.

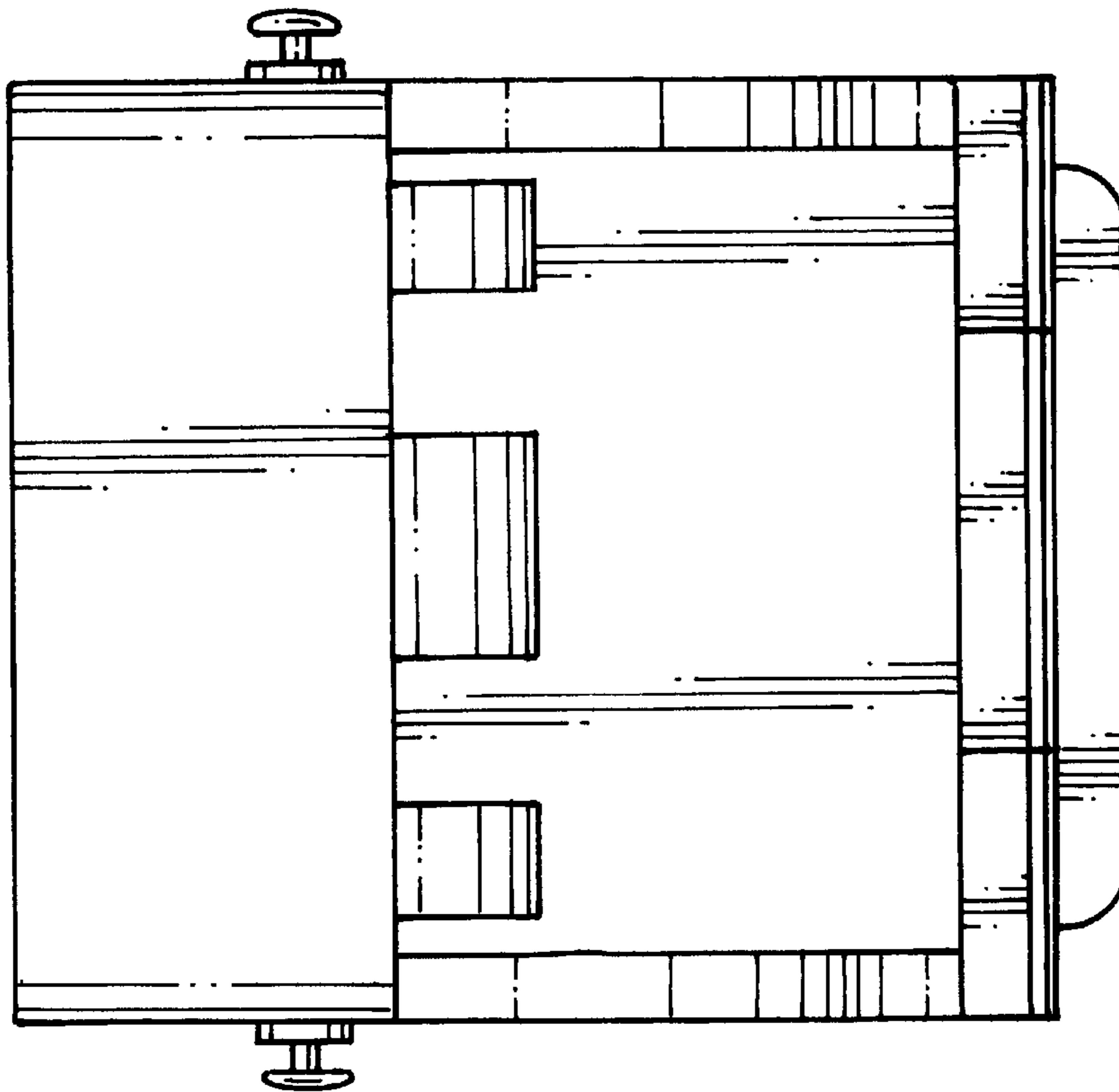


FIG. 6.