



US00D524372S

(12) **United States Design Patent**
Granick

(10) **Patent No.:** **US D524,372 S**
(45) **Date of Patent:** **** Jul. 4, 2006**

(54) **CARPENTER'S PENCIL SHEATH HOLDER**

(76) Inventor: **Daniel H. Granick**, 69 Chestnut Terr.,
Buffalo Grove, IL (US) 60089

(**) Term: **14 Years**

(21) Appl. No.: **29/218,945**

(22) Filed: **Dec. 9, 2004**

3,708,235 A	1/1973	Kolomeir	
4,515,492 A	5/1985	Shan	
5,044,804 A	9/1991	Chuang	
5,449,242 A *	9/1995	Salamone	401/131
5,522,146 A *	6/1996	Warburton	33/347
D372,049 S *	7/1996	Anderson	D19/55
D422,309 S	4/2000	Bond	
6,276,854 B1	8/2001	Mullins	
6,663,305 B1 *	12/2003	Poulos	401/19
6,695,511 B1	2/2004	Lundak	
6,948,251 B1 *	9/2005	Jebe et al.	30/452

Related U.S. Application Data

(63) Continuation of application No. 29/173,036, filed on Dec. 20, 2002, now Pat. No. Des. 501,877.

(51) **LOC (8) Cl.** **19-06**

(52) **U.S. Cl.** **D19/36**

(58) **Field of Classification Search** D19/35,
D19/36, 41, 42, 43, 44, 45, 46, 47, 48, 49,
D19/50, 51, 54, 55, 57, 65; 24/10 R, 11 R,
24/11 CC, 11 CT, 11 HC, 11 C, 11 F, 10 A;
401/88, 95, 96, 97, 99, 100, 104-109, 192,
401/195, 48

See application file for complete search history.

(56) **References Cited**

U.S. PATENT DOCUMENTS

294,756 A *	3/1884	Brown	401/82
1,595,948 A *	8/1926	King	401/88
1,610,535 A *	12/1926	Smith	24/10 A
1,611,937 A *	12/1926	Nelson	401/82
1,737,798 A	12/1929	Kinzinger	
D119,263 S	3/1940	Harris	
2,338,068 A	12/1943	Harris et al.	
2,422,705 A *	6/1947	Saint Clair	401/97
D207,563 S	5/1967	Bailey, Jr.	

OTHER PUBLICATIONS

Eberhard Faber Catalog, see carpenter's pencil in the center of the page, sold or offered for sale in the United States at least as early as Oct. 1907.

* cited by examiner

Primary Examiner—Elizabeth A. Albert
(74) *Attorney, Agent, or Firm*—Greenberg Traurig, LLP

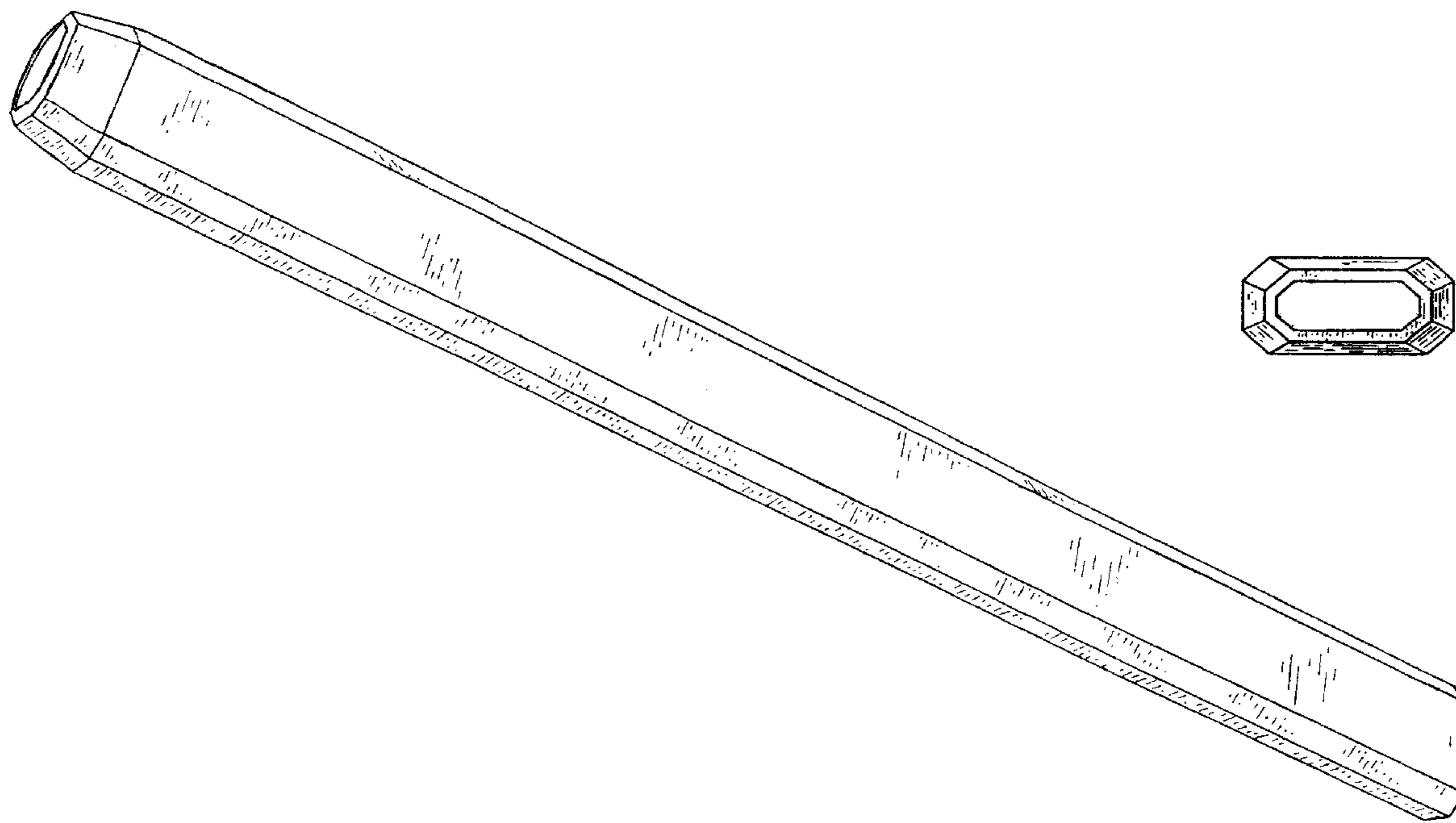
(57) **CLAIM**

The ornamental design for a carpenter's pencil sheath holder, as shown and described.

DESCRIPTION

FIG. 1 is a front perspective view of the carpenter's pencil sheath holder showing my new design;
FIG. 2 is a front elevational view thereof, shown broken away and shortened for convenience of illustration;
FIG. 3 is a bottom plan view thereof;
FIG. 4 is a top plan view thereof; and,
FIG. 5 is a right side elevational view of FIG. 2.

1 Claim, 1 Drawing Sheet



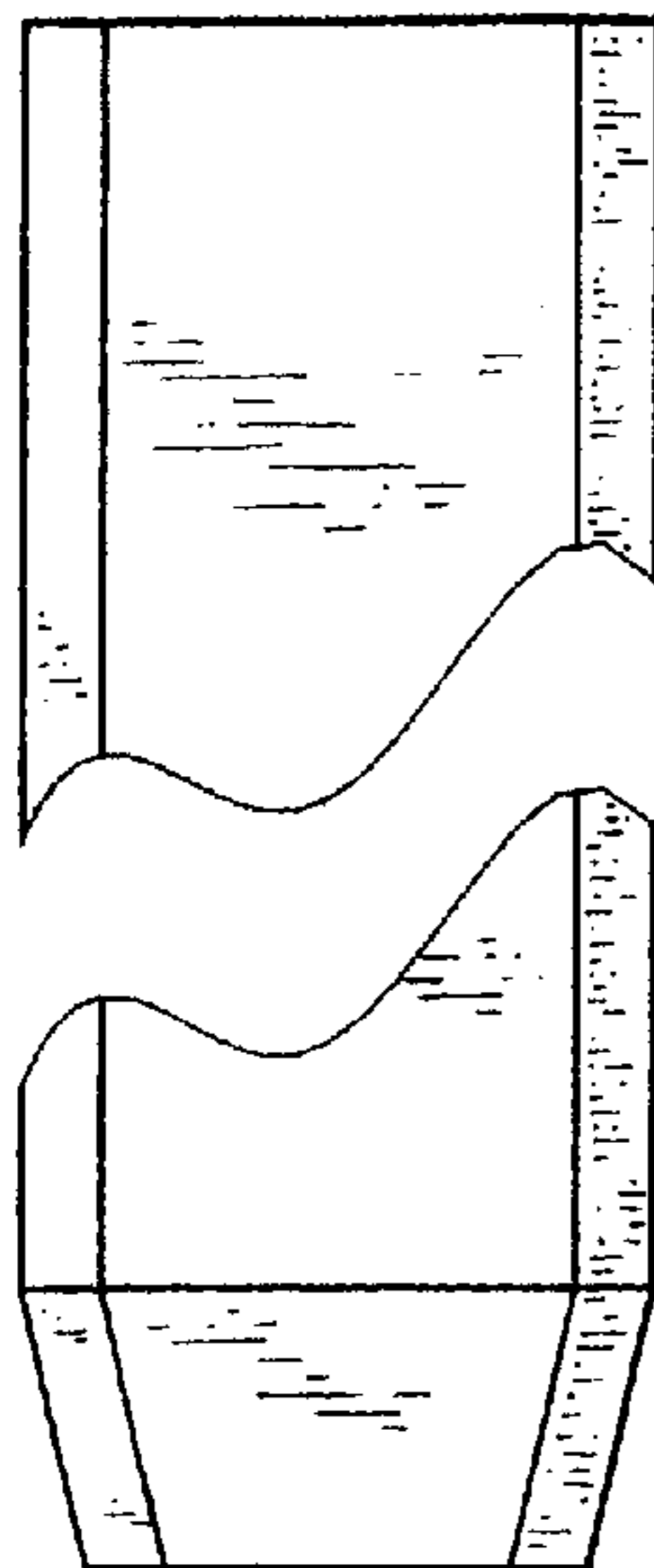


Fig.1

Fig.2

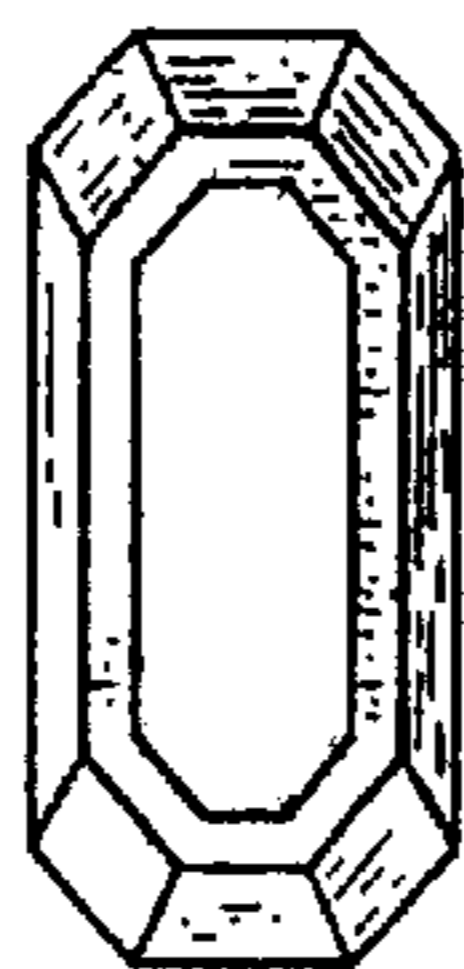


Fig.3

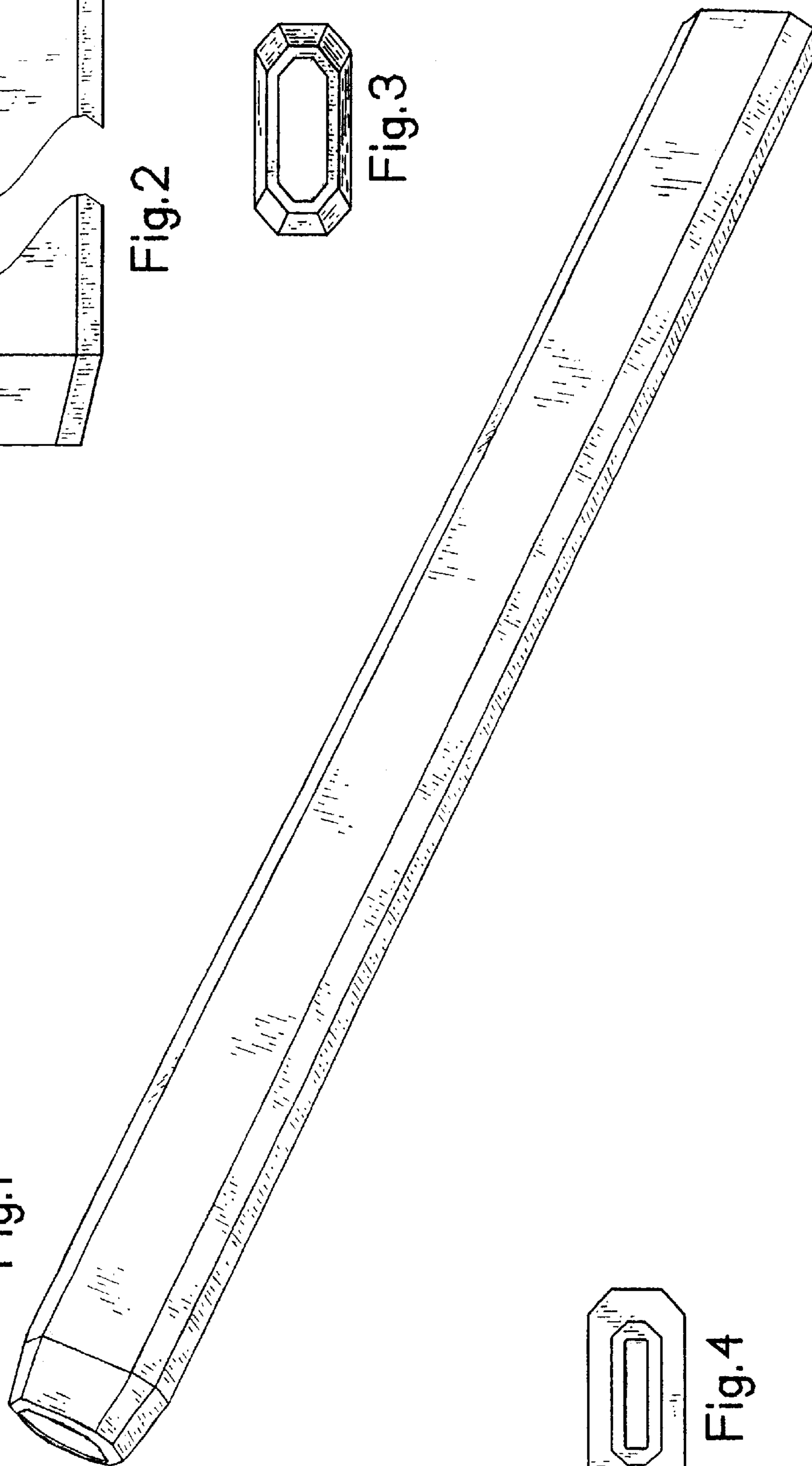


Fig.4

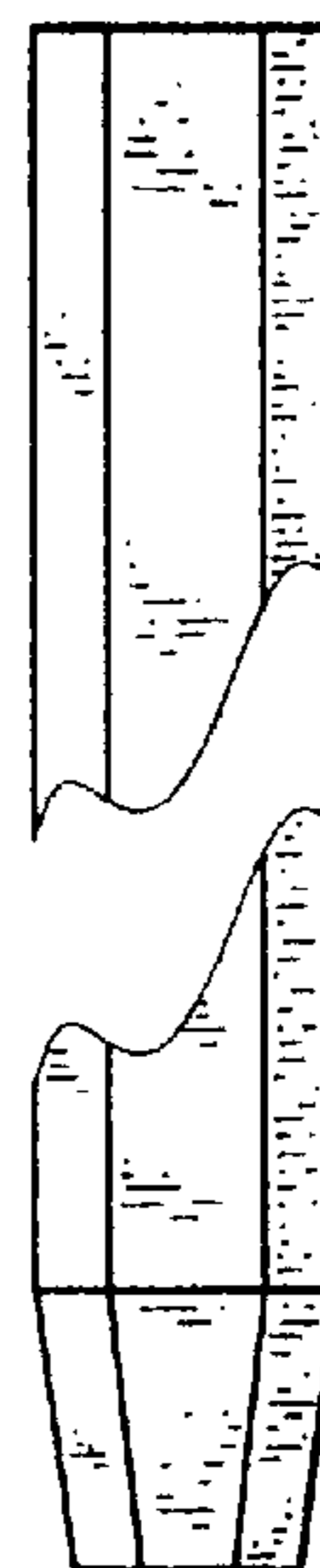


Fig.5