



US00D524370S

(12) **United States Design Patent**  
**Jones et al.**

(10) **Patent No.:** **US D524,370 S**  
(45) **Date of Patent:** **\*\* Jul. 4, 2006**

(54) **INK STICK FOR PHASE CHANGE INK JET PRINTER**

(75) Inventors: **Brent R. Jones**, Tualatin, OR (US);  
**Kelvin Kwong**, Tualatin, OR (US);  
**Scott J. Korn**, Portland, OR (US)

(73) Assignee: **Xerox Corporation**, Stamford, CT (US)

(\*\*) Term: **14 Years**

(21) Appl. No.: **29/216,650**

(22) Filed: **Nov. 5, 2004**

(51) **LOC (8) Cl.** ..... **18-02**

(52) **U.S. Cl.** ..... **D18/56; 347/88**

(58) **Field of Classification Search** ..... D18/56;  
D21/499, 500; 106/31.29, 31.61; 273/156,  
273/160; 347/88, 99; 434/92, 96; 466/122,  
466/124, 125

See application file for complete search history.

(56) **References Cited**

**U.S. PATENT DOCUMENTS**

2,877,506	A	*	3/1959	Almoslino	.....	446/122
D479,368	S	*	9/2003	Jones	.....	D18/56
D500,783	S	*	1/2005	Jones et al.	.....	D18/56
D500,786	S	*	1/2005	Jones et al.	.....	D18/56

6,893,121	B1	*	5/2005	Jones	.....	347/88
2003/0202074	A1	*	10/2003	Jones	.....	347/99
2003/0222951	A1	*	12/2003	Jones	.....	347/88

**OTHER PUBLICATIONS**

List of Tektronix/Xerox Corporation Solid Ink Products sold at least one year prior to Apr. 29, 2002. Included by applicants with informal information disclosure statement list of co-pending applications.\*

\* cited by examiner

*Primary Examiner*—Cathy Anne MacCormac

(74) *Attorney, Agent, or Firm*—David J. Arthur

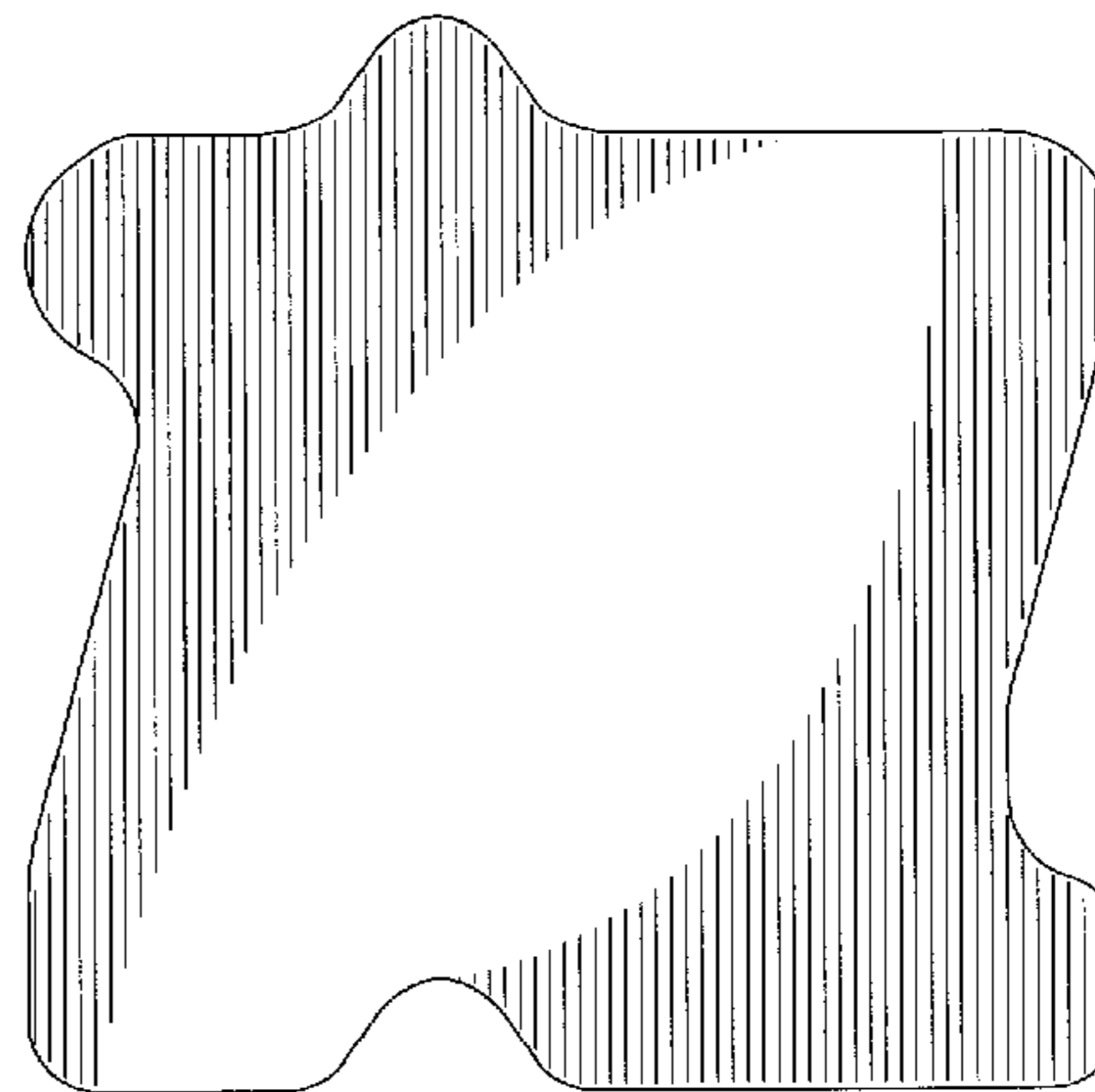
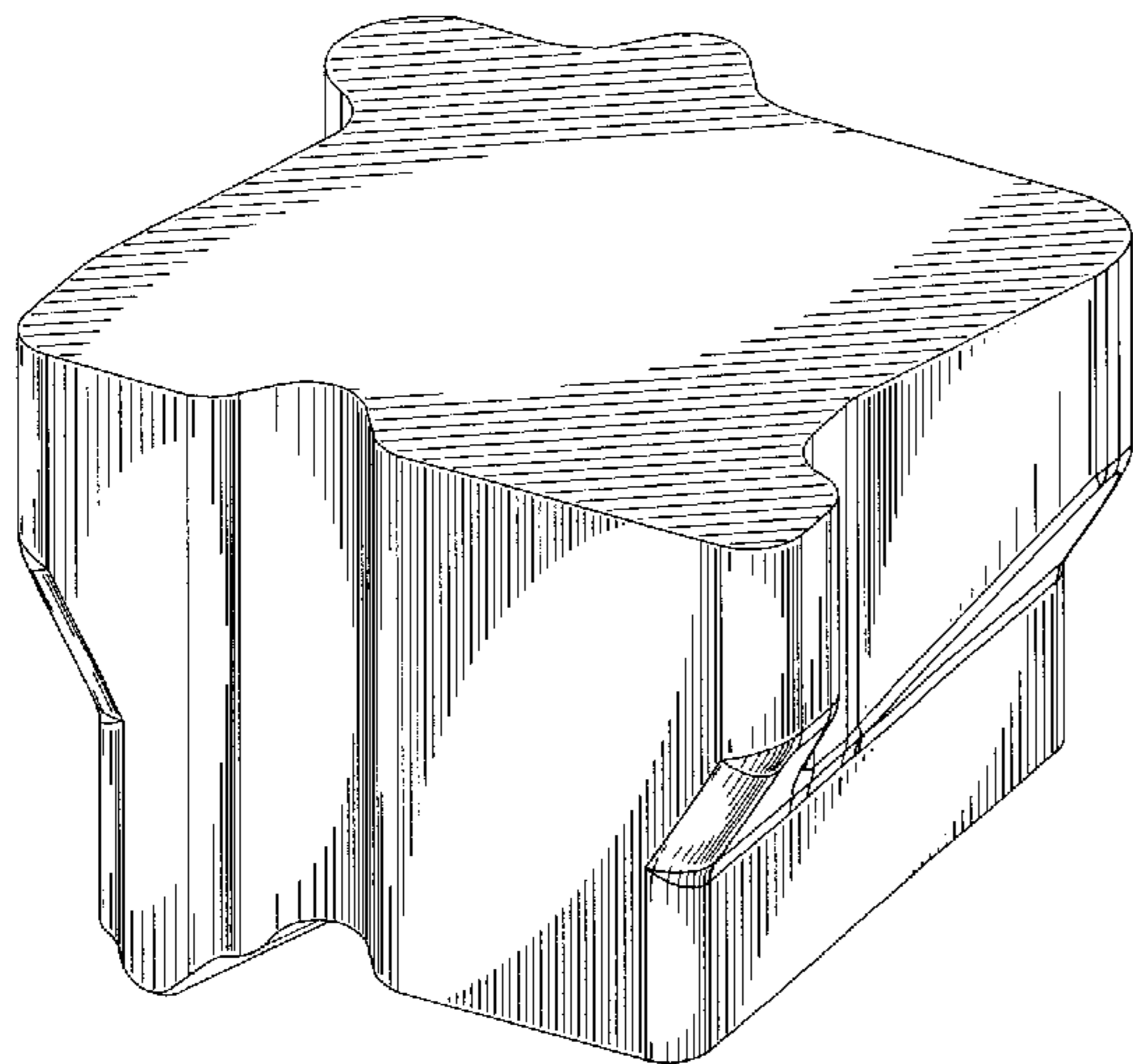
(57) **CLAIM**

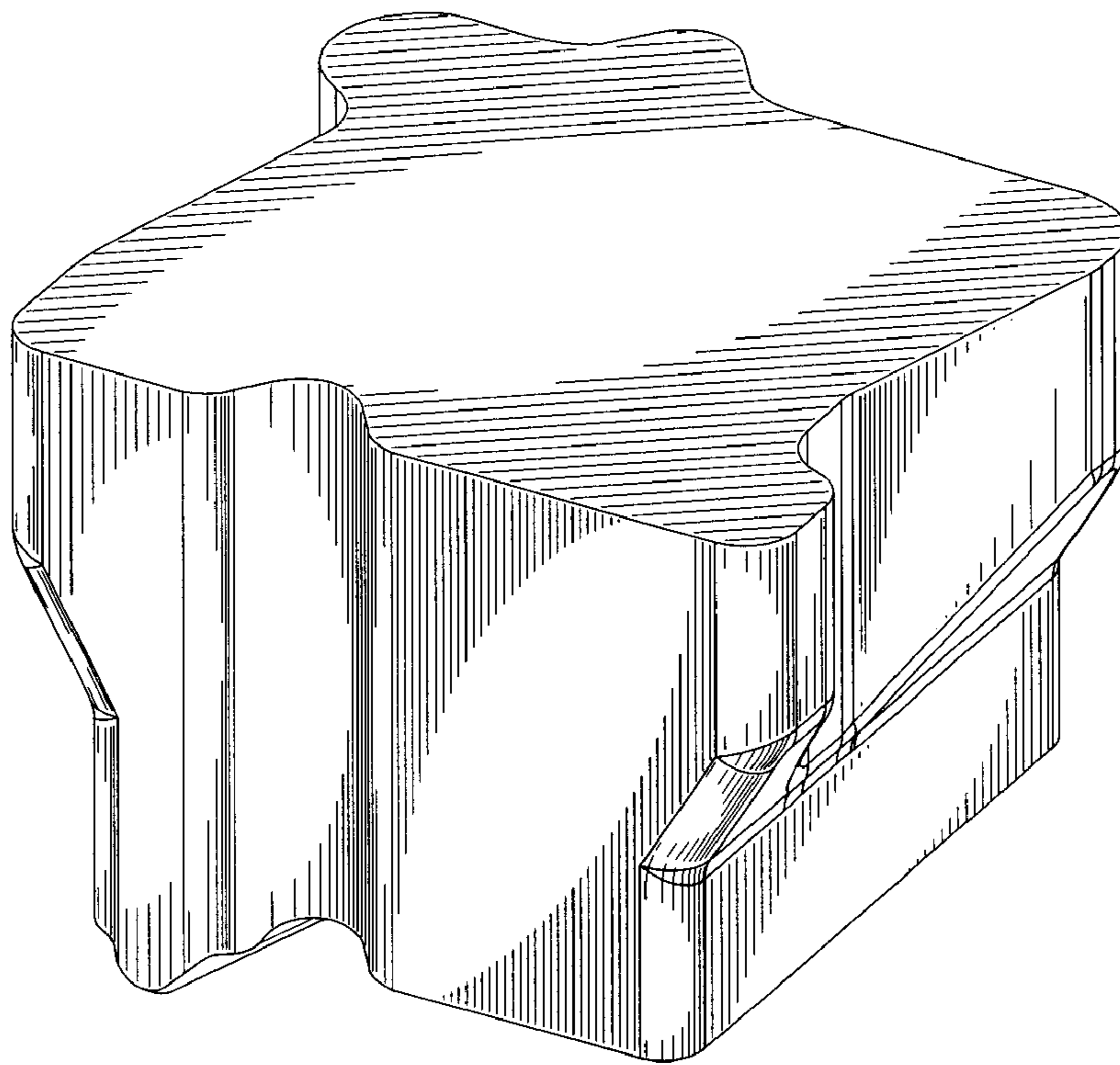
The ornamental design for an ink stick for phase change ink jet printer, as shown.

**DESCRIPTION**

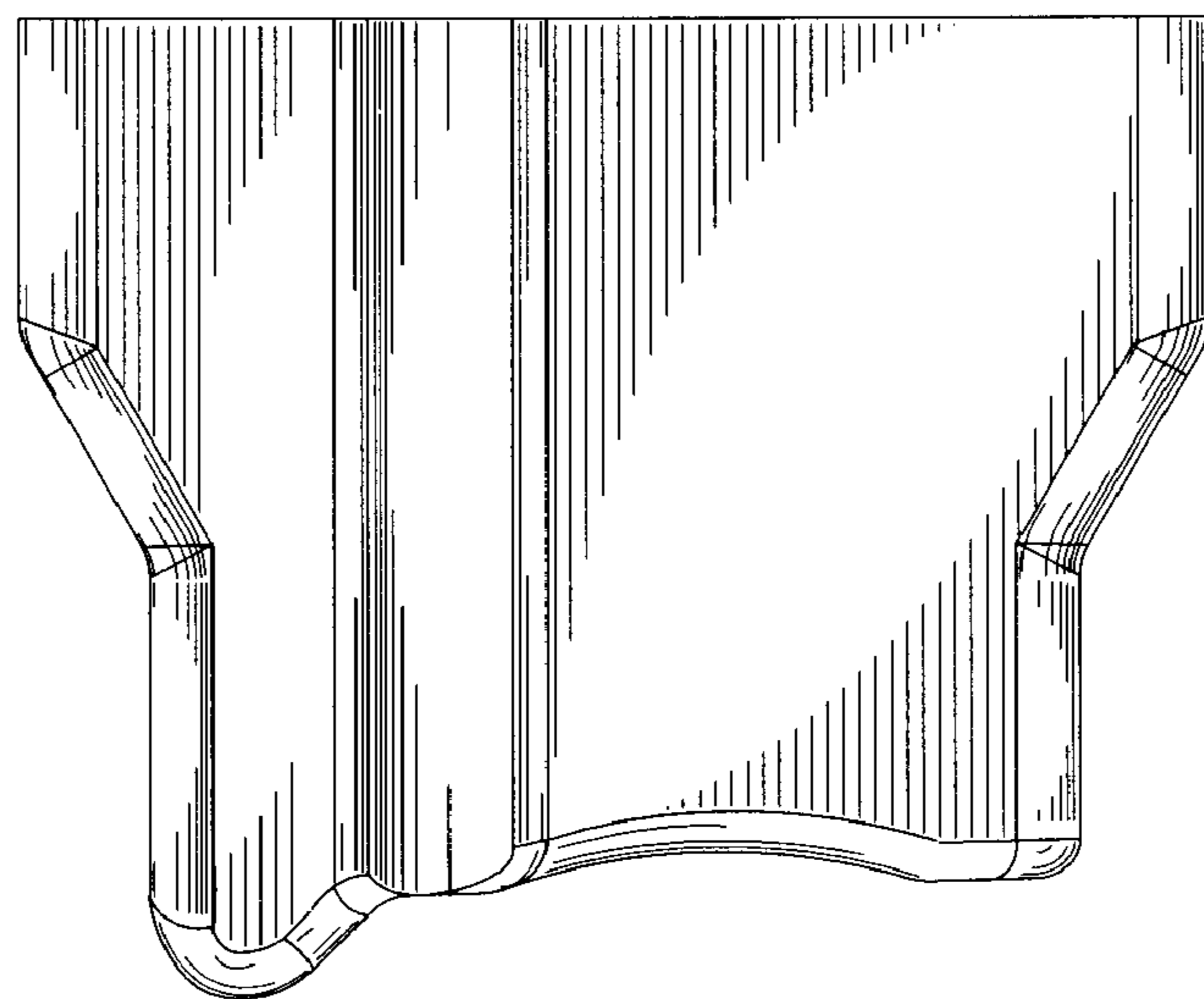
FIG. 1 is a perspective view of an ink stick for phase change ink jet printer illustrating the new design; FIG. 2 is a front elevational view thereof; FIG. 3 is a right side elevational view thereof; FIG. 4 is a rear elevational view thereof; FIG. 5 is a left side elevational view thereof; FIG. 6 is a top plan view thereof; and, FIG. 7 is a bottom plan view thereof.

**1 Claim, 4 Drawing Sheets**

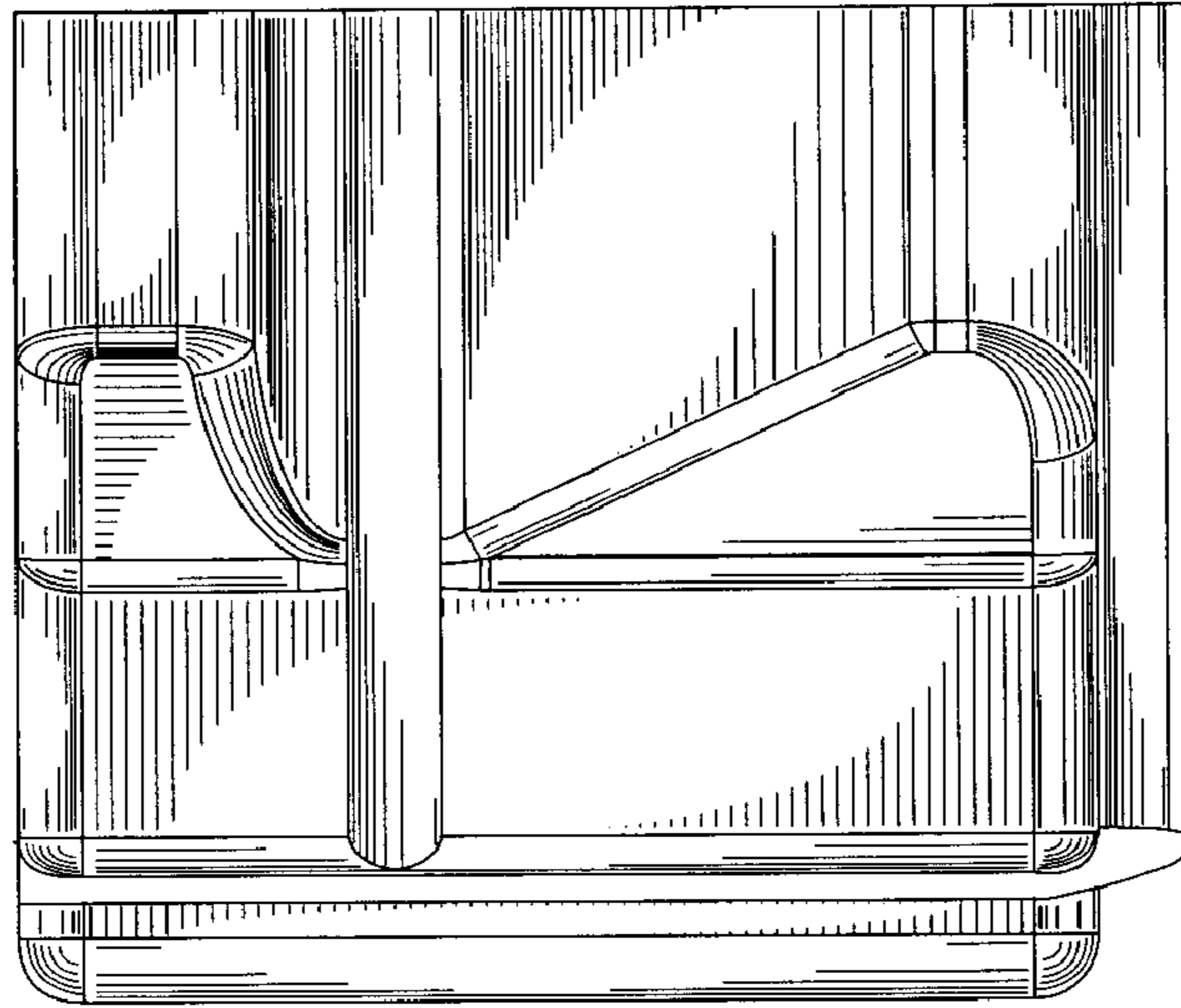




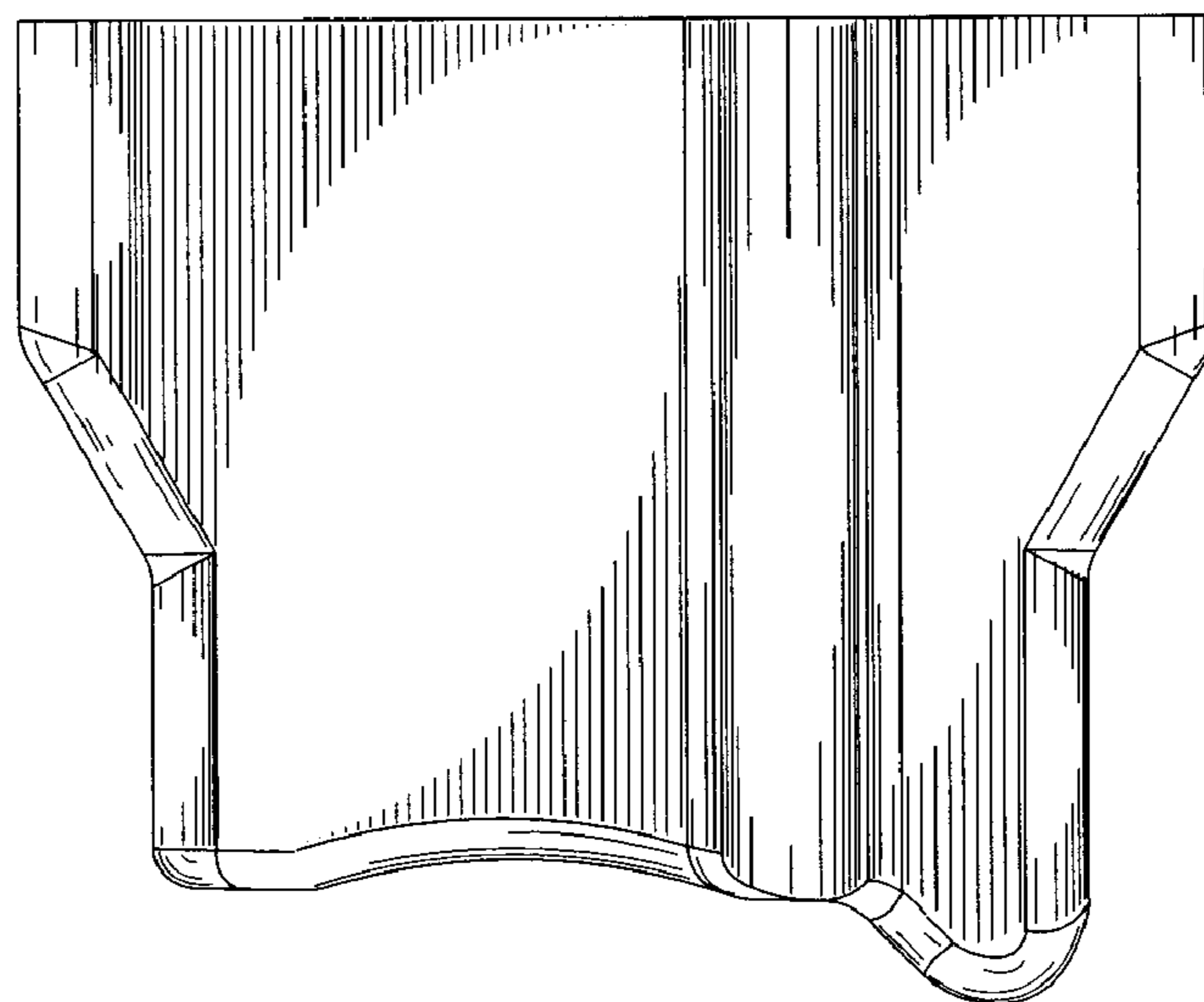
**FIG. 1**



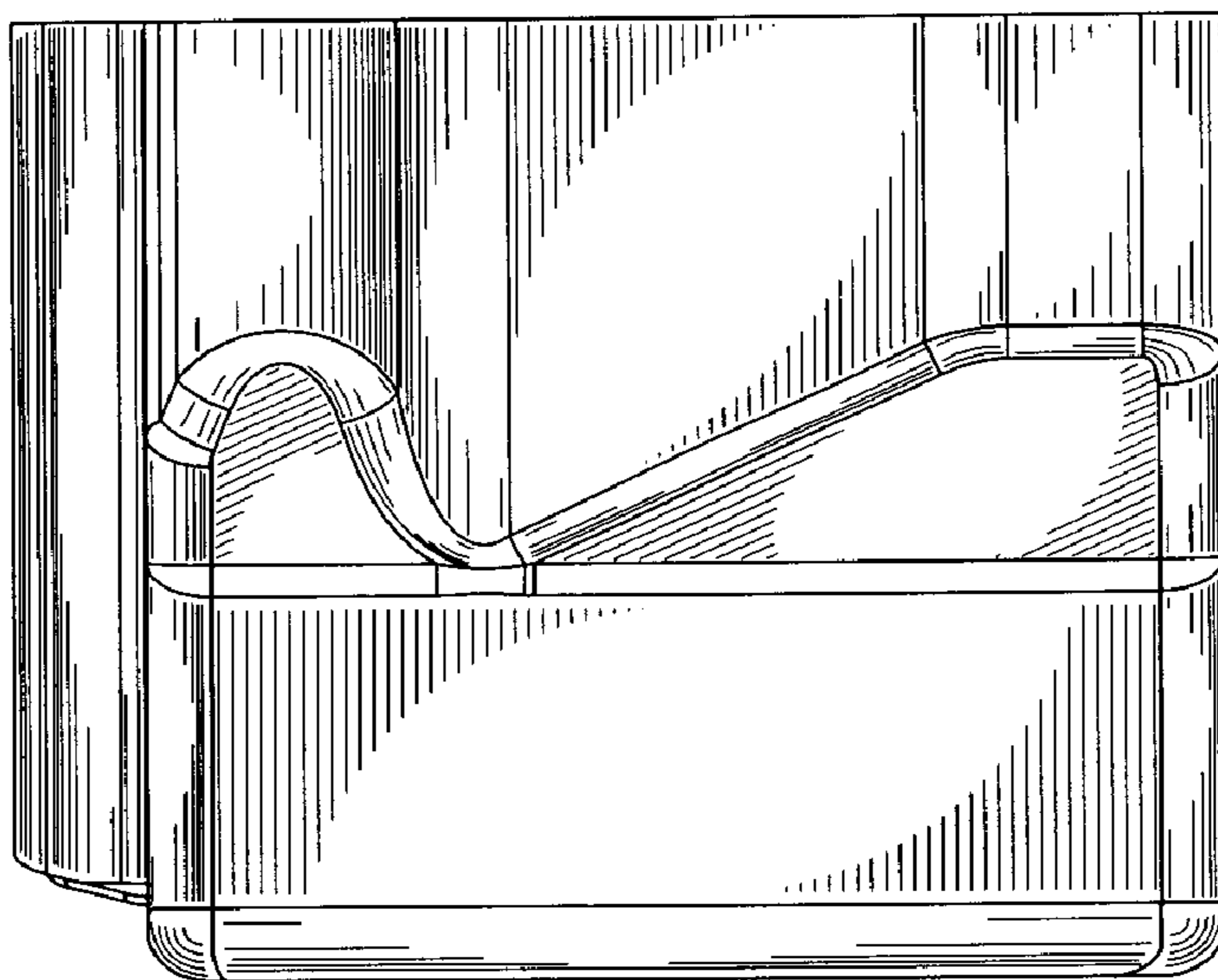
**FIG. 2**



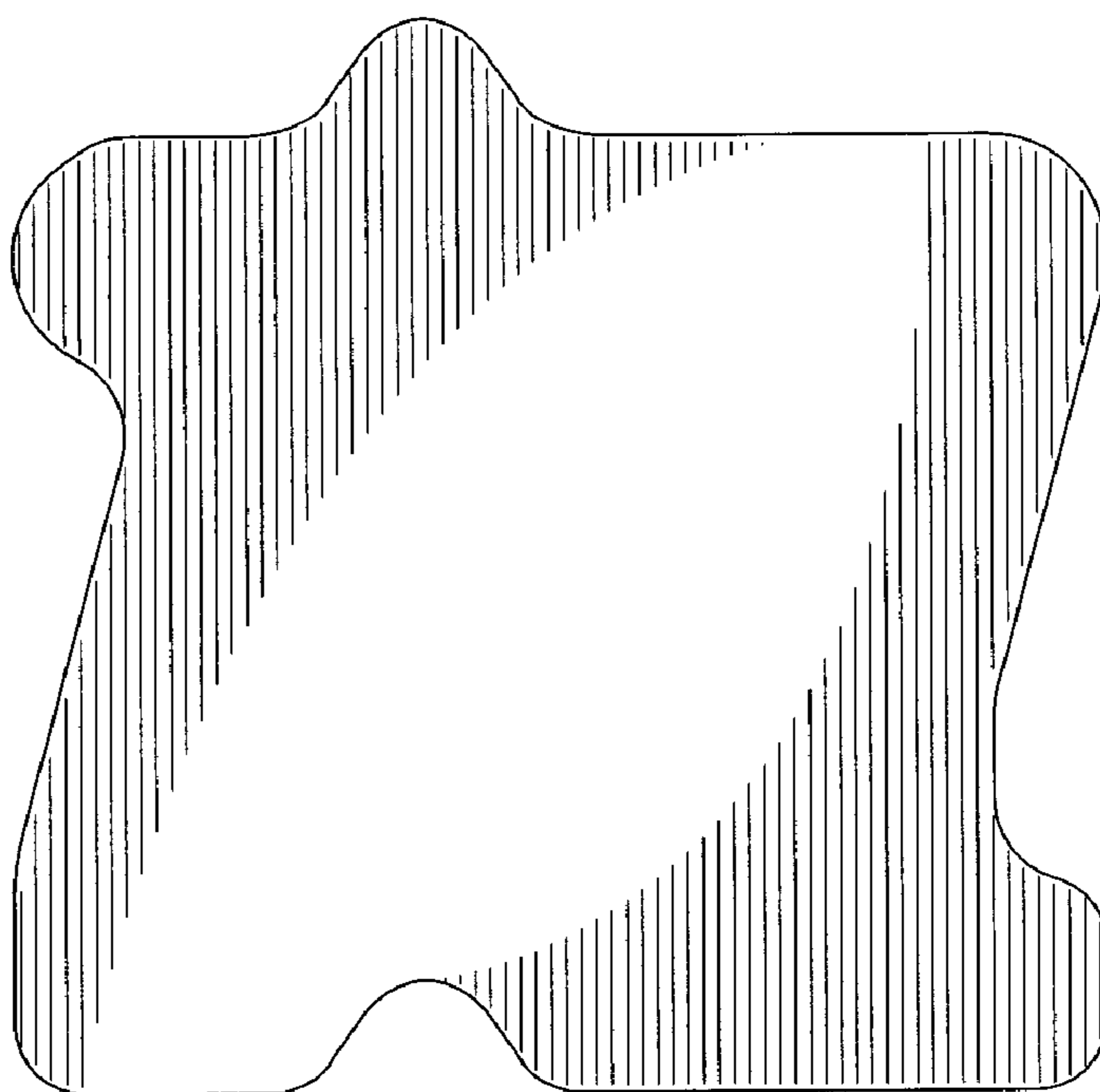
**FIG. 3**



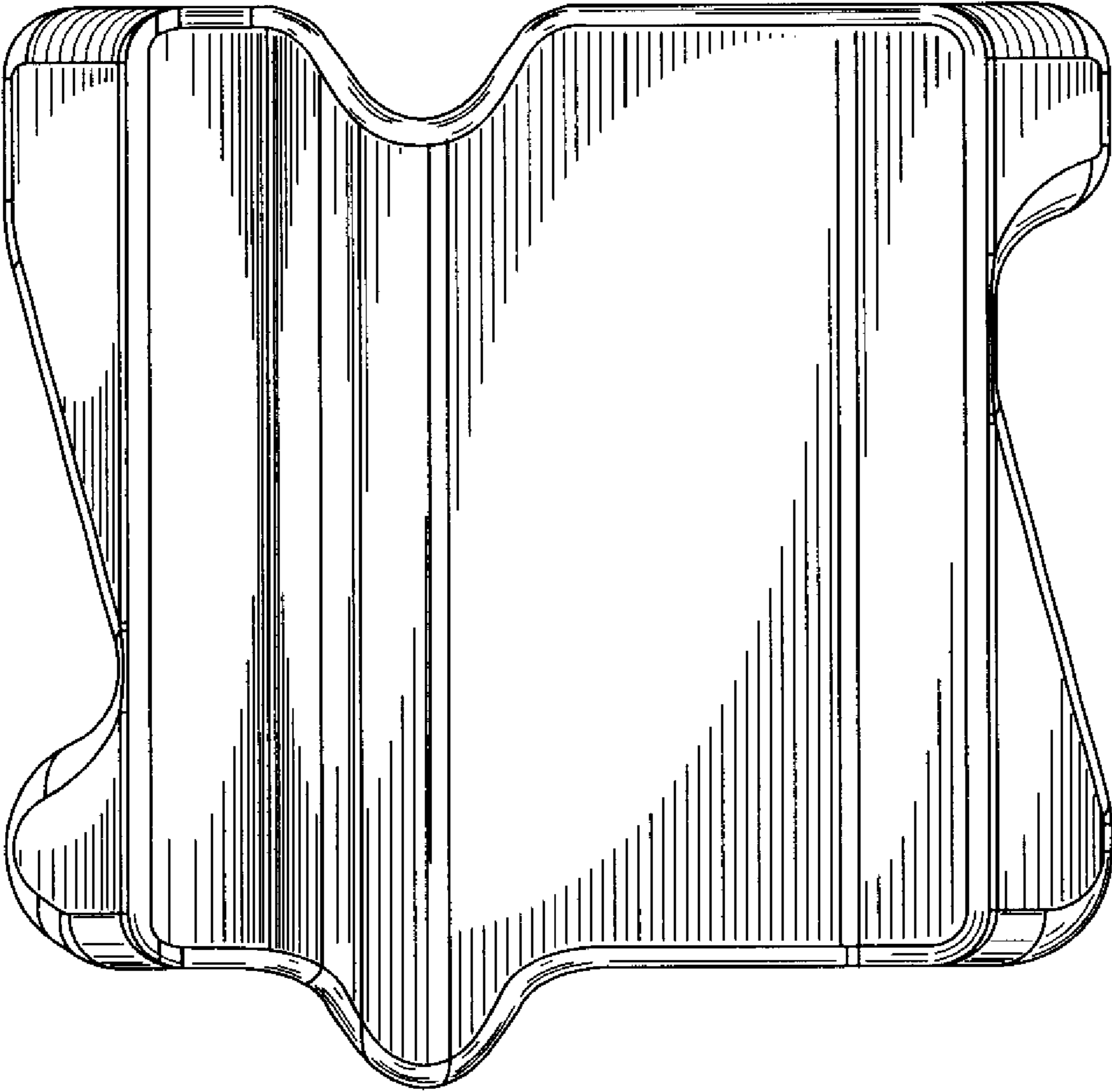
**FIG. 4**



**FIG. 5**



**FIG. 6**



**FIG. 7**