



US00D524369S

(12) **United States Design Patent**
Kato et al.

(10) **Patent No.:** **US D524,369 S**
(45) **Date of Patent:** **** Jul. 4, 2006**

(54) **TAPE CARTRIDGE FOR A TAPE PRINTER**

(75) Inventors: **Tsutomu Kato**, Nagoya (JP); **Haruki Matsumoto**, Nagoya (JP); **Keiji Seo**, Nagoya (JP); **Kiyoshi Sugimoto**, Kuwana (JP); **Yasunori Nakamura**, Shinshiro (JP)

(73) Assignee: **Brother Industries, Ltd.**, Nagoya (JP)

(**) Term: **14 Years**

(21) Appl. No.: **29/213,275**

(22) Filed: **Sep. 16, 2004**

(30) **Foreign Application Priority Data**

Mar. 17, 2004 (JP) 2004-008201

(51) **LOC (8) Cl.** **18-02**

(52) **U.S. Cl.** **D18/56**

(58) **Field of Classification Search** D18/56,
D18/12, 43, 99; 400/207, 208; D14/435,
D14/483, 484

See application file for complete search history.

(56) **References Cited**

U.S. PATENT DOCUMENTS

D378,759 S * 4/1997 Hattori et al. D18/56
5,620,268 A * 4/1997 Yamaguchi et al. 400/207

D389,179 S * 1/1998 Uchiyama et al. D18/56
D403,353 S * 12/1998 Uchiyama et al. D18/56
6,367,995 B1 * 4/2002 Hashimoto et al. 400/207
D475,717 S * 6/2003 Nonomura D14/484
D476,663 S * 7/2003 Nonomura D14/483
D483,772 S * 12/2003 Nonomura D14/484

* cited by examiner

Primary Examiner—Louis S. Zarfaz

Assistant Examiner—Anhdao Doan

(74) *Attorney, Agent, or Firm*—Oliff & Berridge, PLC

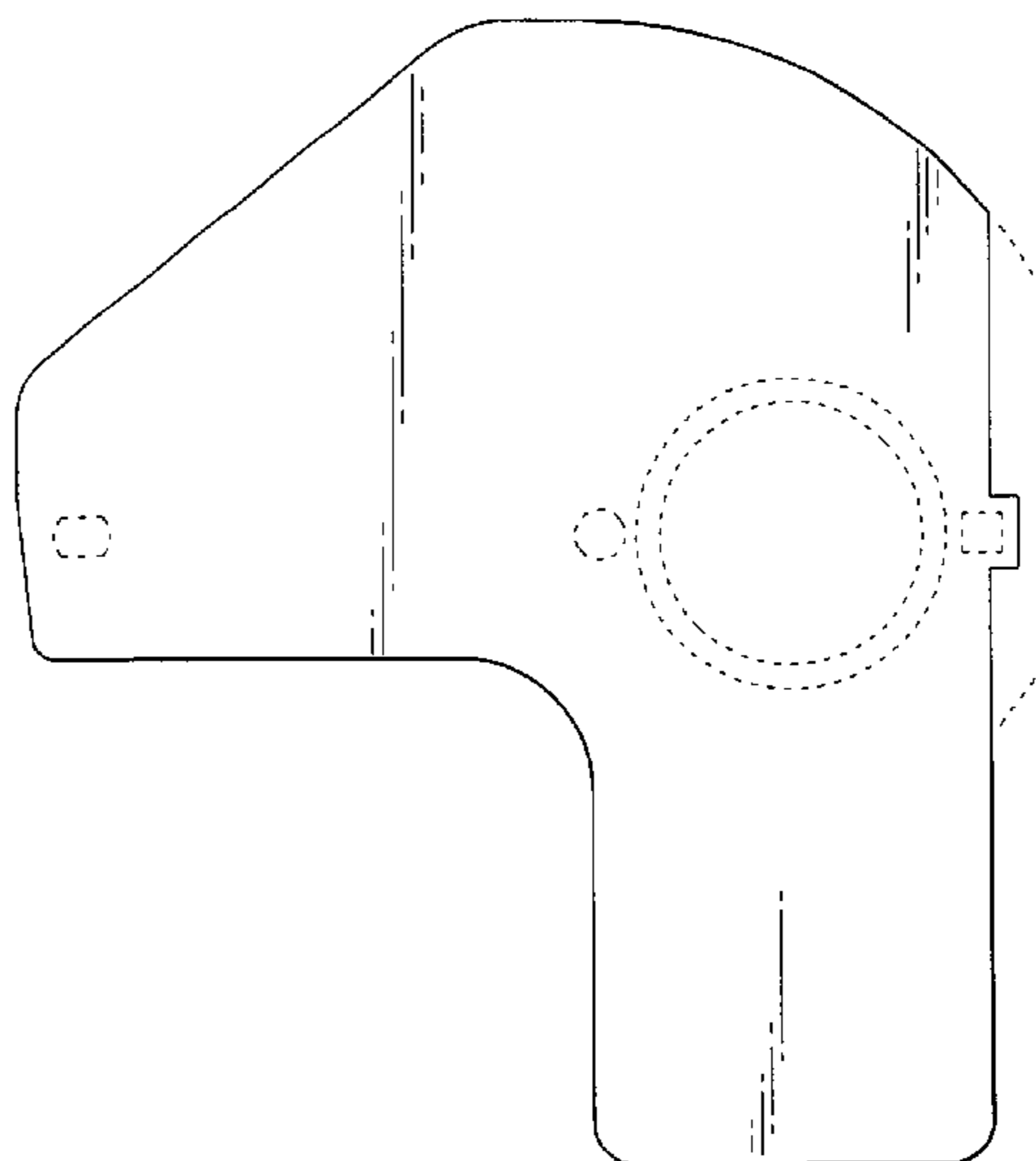
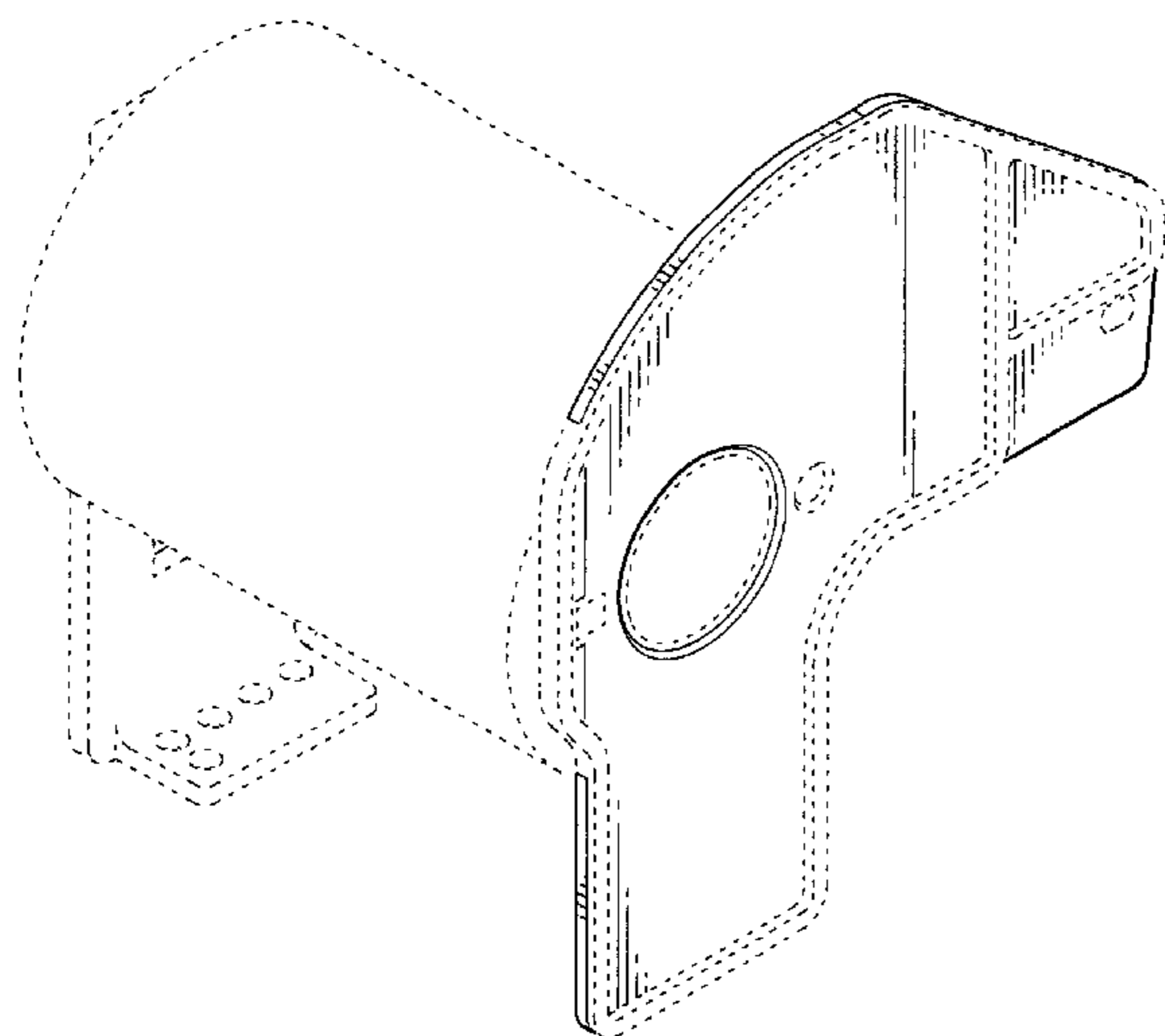
(57) **CLAIM**

The ornamental design for a tape cartridge for a tape printer, as shown and described.

DESCRIPTION

FIG. 1 is a front view of a tape cartridge for a tape printer; FIG. 2 is a top view thereof; FIG. 3 is a right-side view thereof; FIG. 4 is a left-side view thereof; FIG. 5 is a rear view thereof; FIG. 6 is a bottom view thereof; FIG. 7 is perspective view thereof; and, FIG. 8 is a cross-sectional view thereof taken along the line 8—8 of FIG. 3 with a roll of tape removed. The broken line showing is for illustrative purposes only, and forms no part of the claimed design.

1 Claim, 8 Drawing Sheets



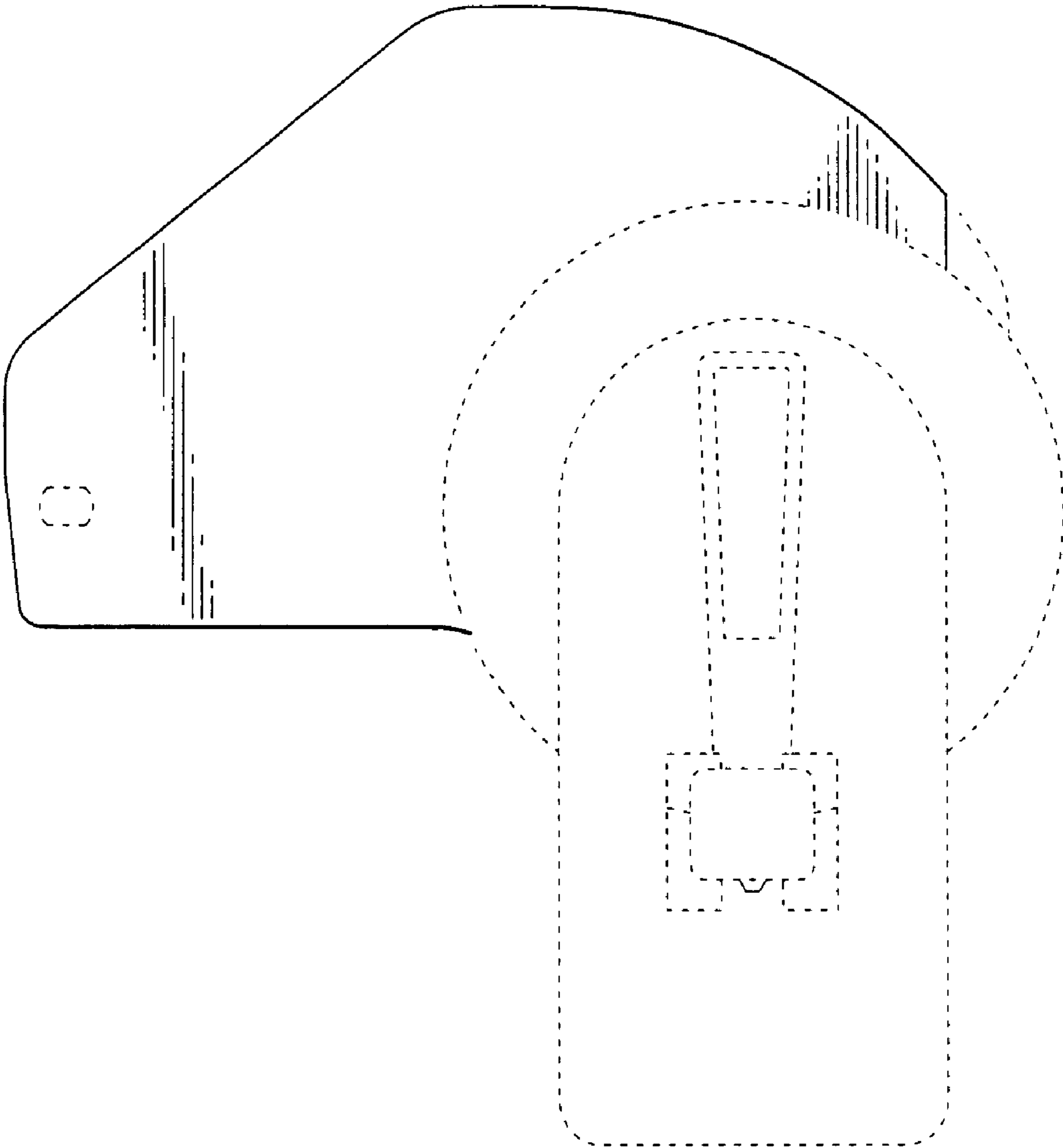


FIG. 1

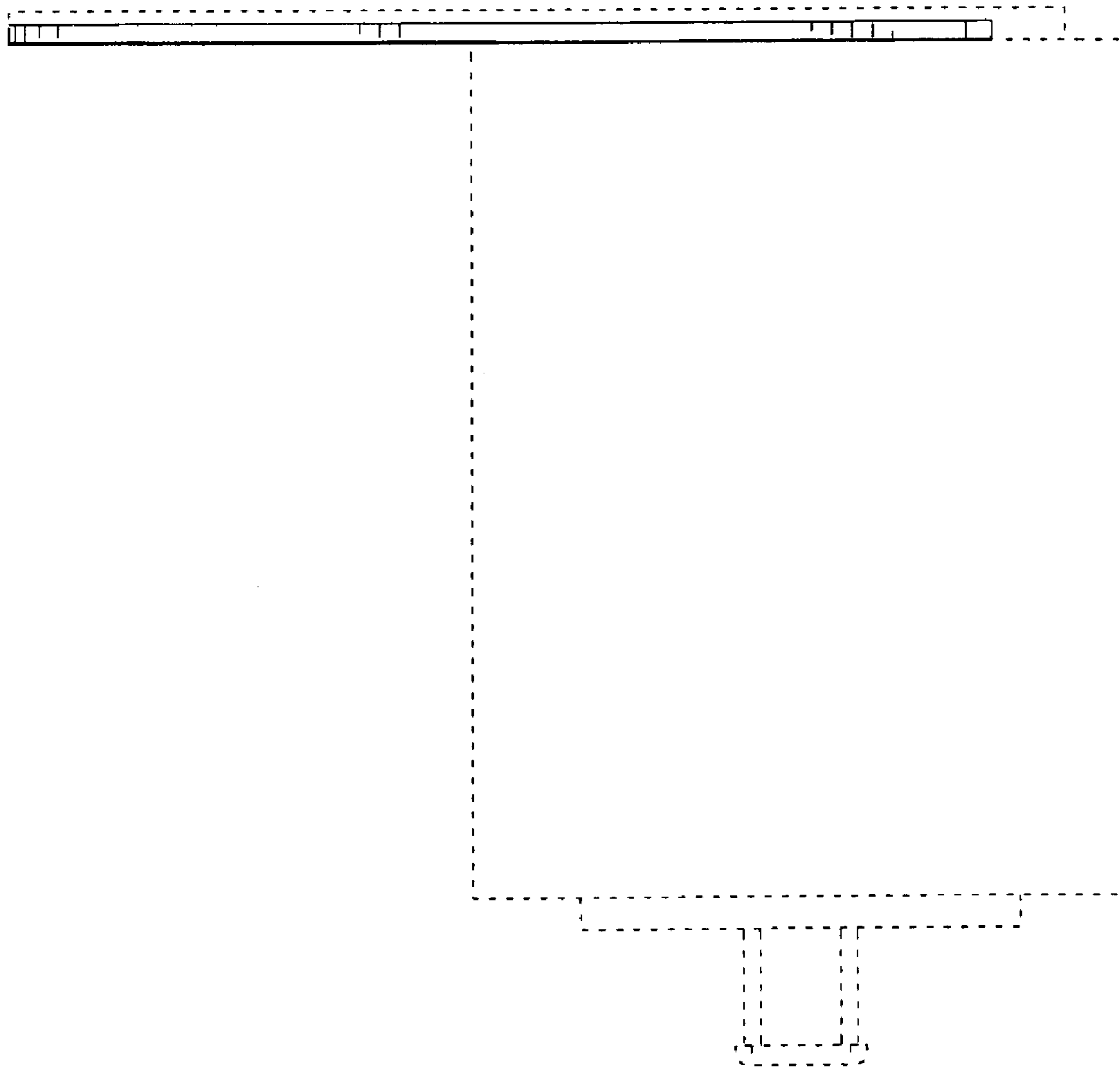


FIG. 2

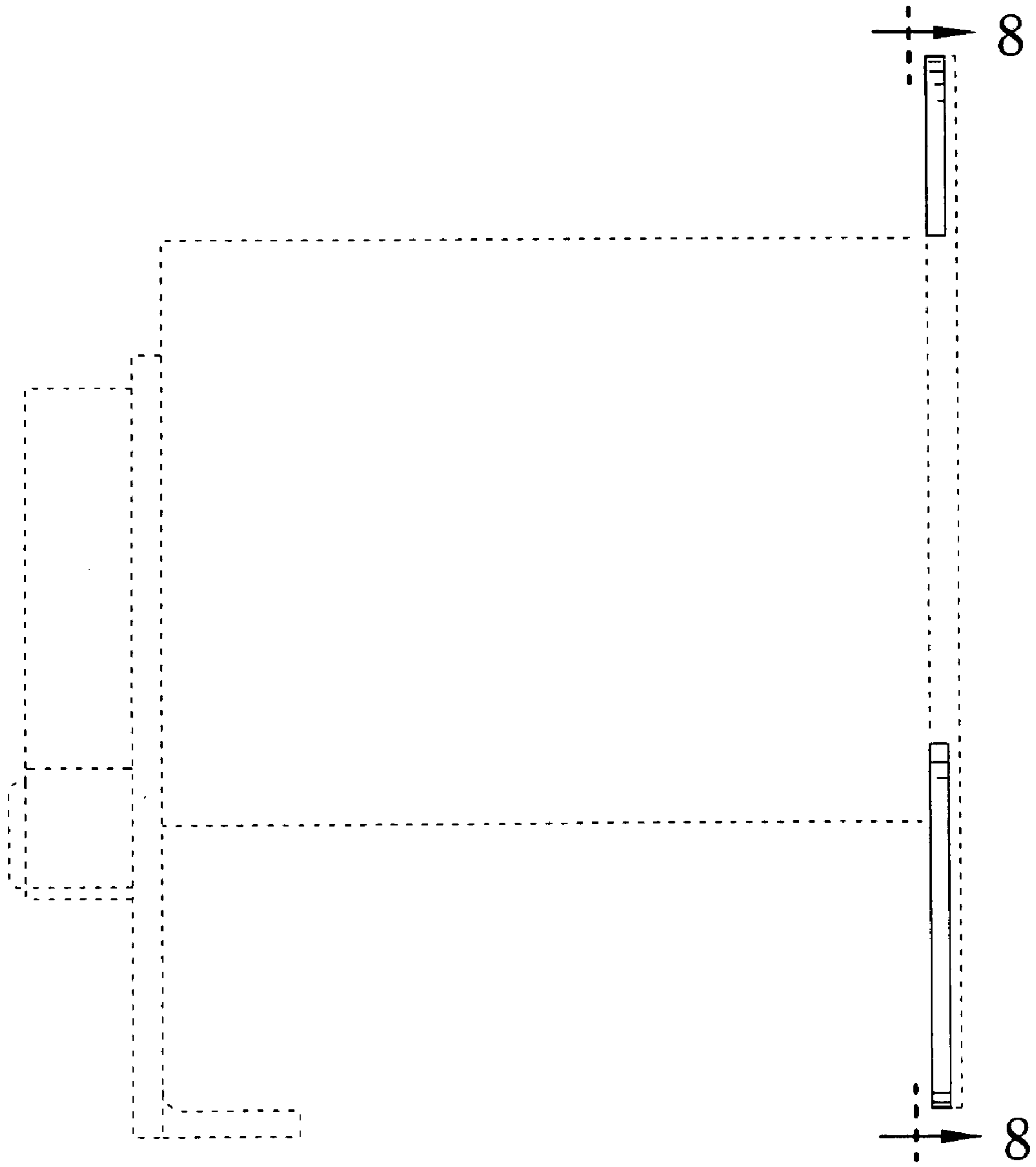


FIG. 3

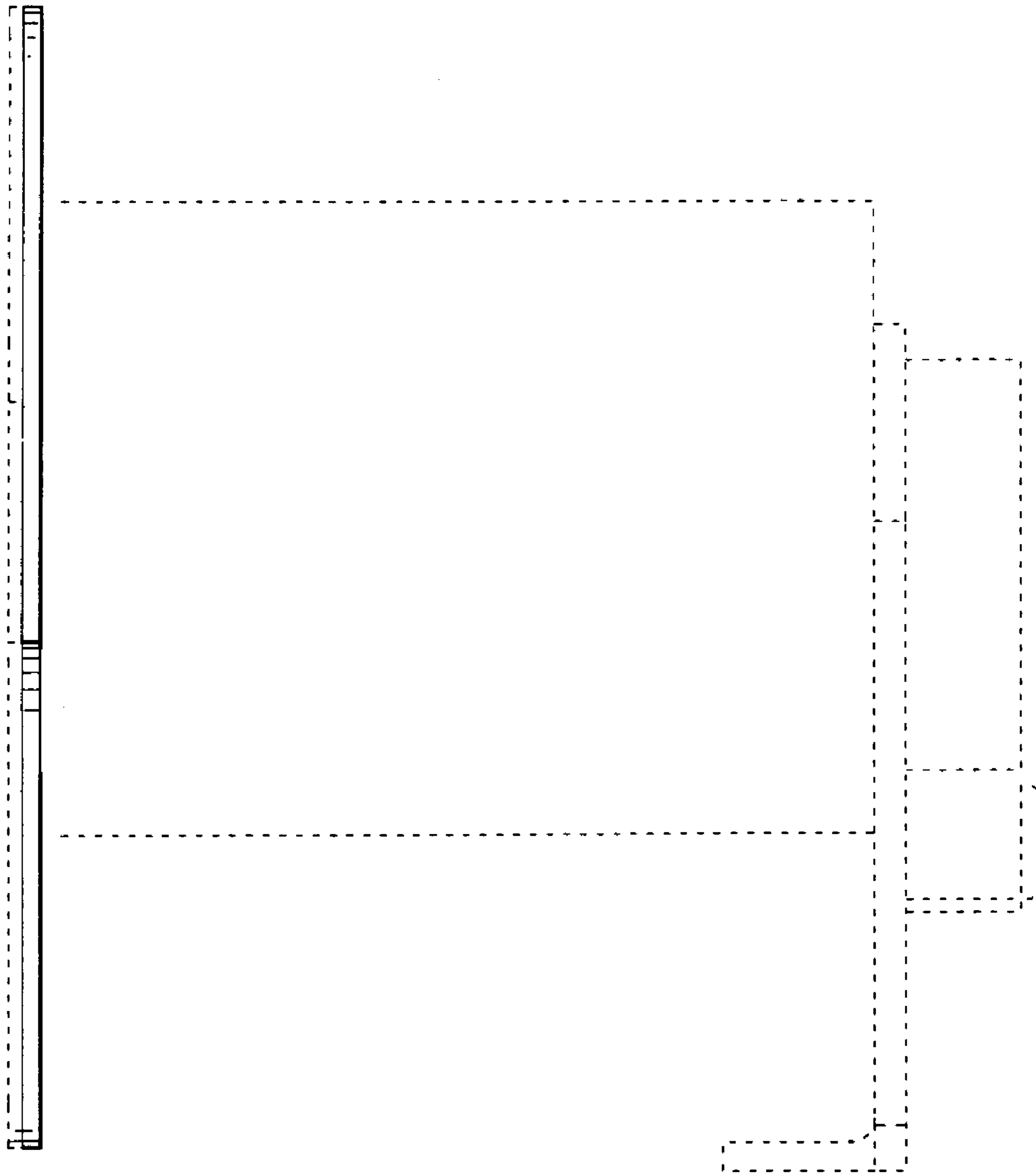


FIG. 4

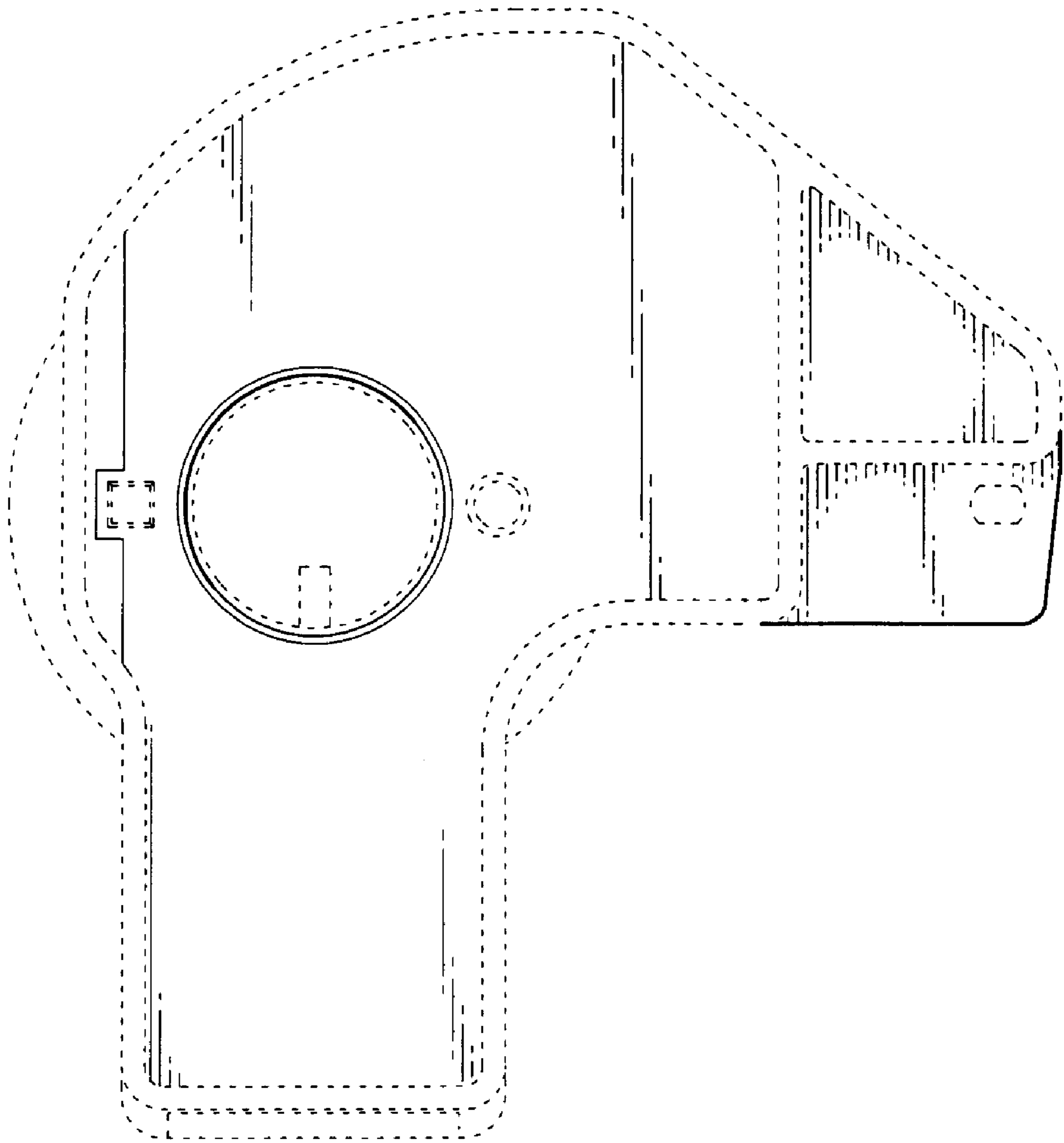


FIG. 5

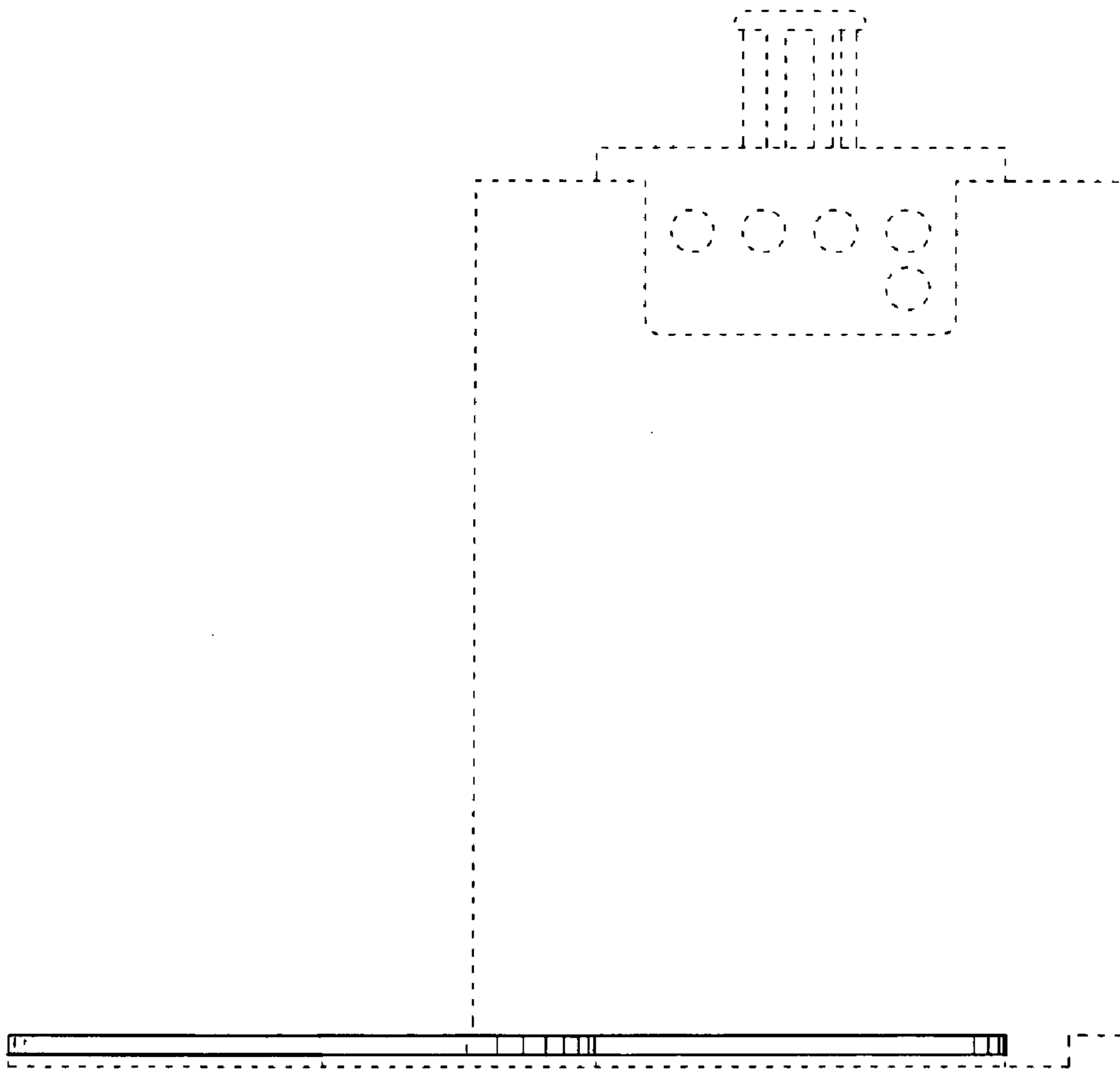


FIG. 6

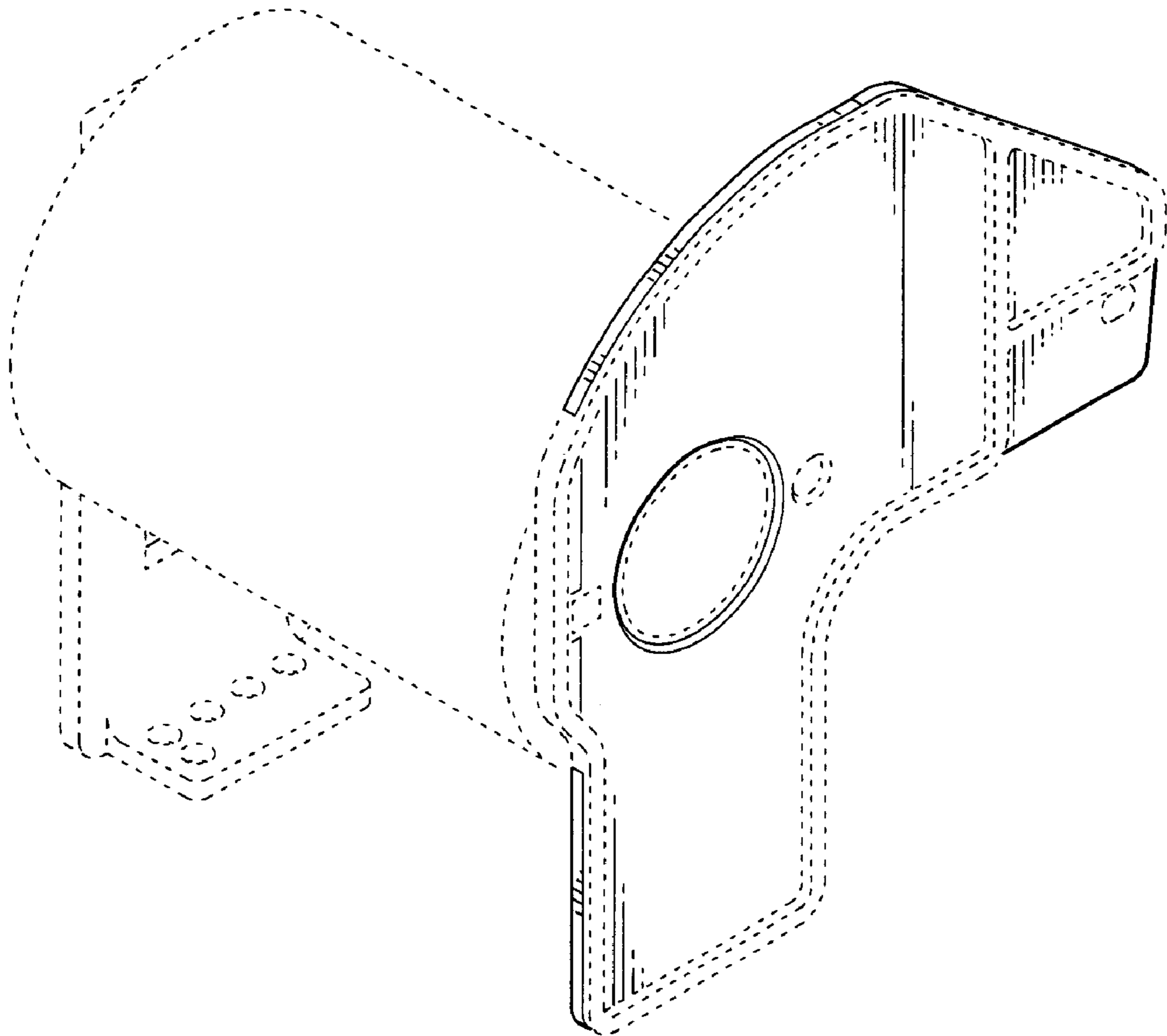


FIG. 7

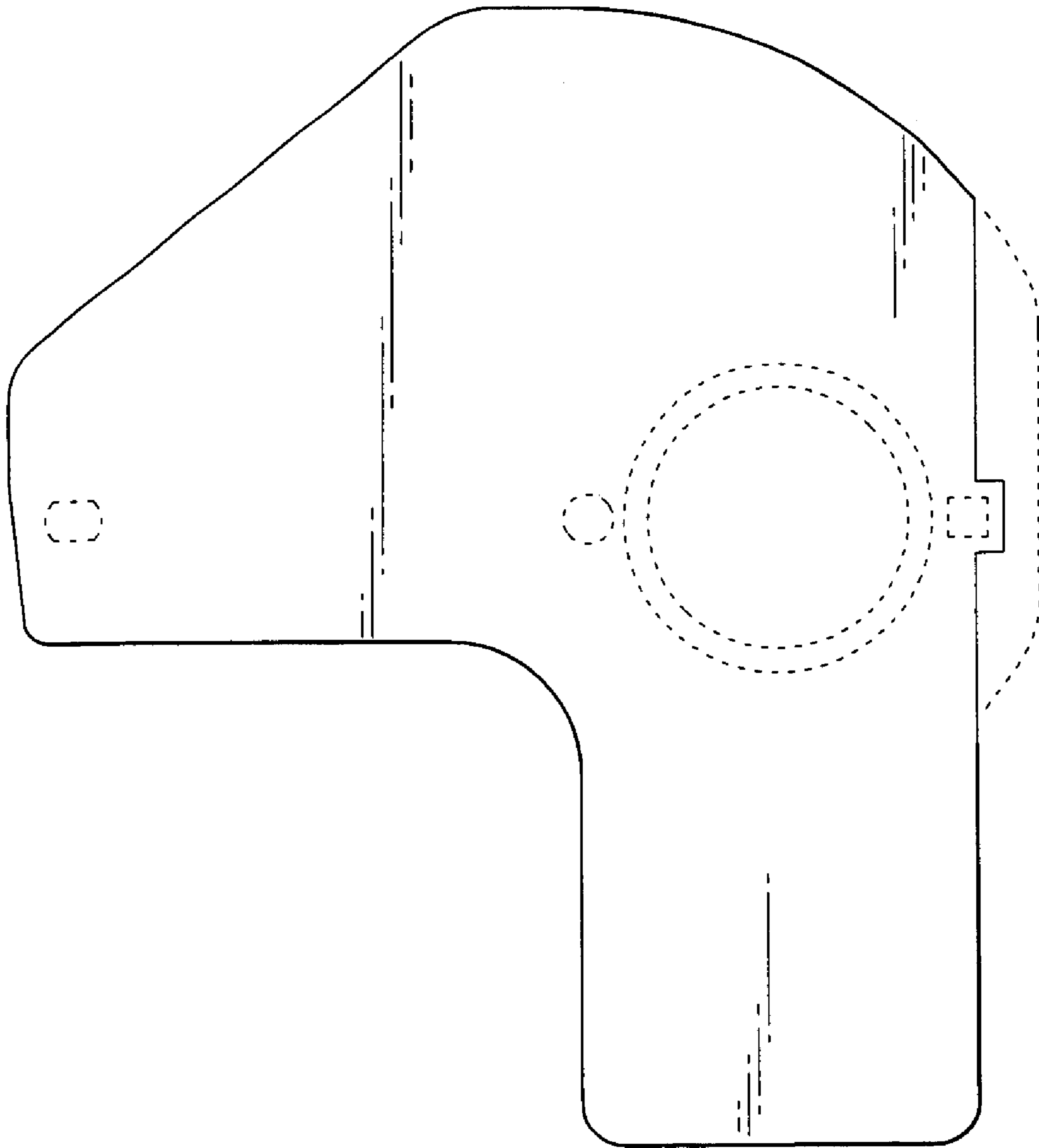


FIG. 8