

US00D524367S

(12) **United States Design Patent**
Wakayama et al.

(10) **Patent No.:** **US D524,367 S**

(45) **Date of Patent:** **** Jul. 4, 2006**

(54) **INK CARTRIDGE**

D490,102 S * 5/2004 Umeyama et al. D18/56
D491,221 S * 6/2004 Umeyama et al. D18/56

(75) Inventors: **Takahiro Wakayama**, Ibaraki-ken (JP);
Takashi Miyazawa, Hachioji (JP);
Masashi Matsuda, Hachioji (JP)

* cited by examiner

Primary Examiner—Cathy Anne MacCormac

(73) Assignees: **Riso Kagaku Corporation**, Tokyo (JP);
Olympus Corporation, Tokyo (JP)

(74) *Attorney, Agent, or Firm*—Frommer Lawrence &
Haug LLP; Matthew K. Ryan, Esq.

(**) Term: **14 Years**

(57) **CLAIM**

The ornamental design for an ink cartridge, substantially as shown and described.

(21) Appl. No.: **29/203,084**

(22) Filed: **Apr. 9, 2004**

DESCRIPTION

(30) **Foreign Application Priority Data**

Oct. 10, 2003 (JP) 2003-030033

(51) **LOC (8) Cl.** **18-02**

(52) **U.S. Cl.** **D18/56; 347/86**

(58) **Field of Classification Search** D18/40,
D18/43, 56; 347/86, 87

See application file for complete search history.

FIG. 1 is a perspective view of an ink cartridge showing our new design,;

FIG. 2 is a front view thereof;

FIG. 3 is a top view thereof;

FIG. 4 is a left side view thereof;

FIG. 5 is a right side view thereof;

FIG. 6 is a bottom view thereof;

FIG. 7 is a cross sectional view taken along the line 7—7 of FIG. 3;

FIG. 8 is a cross sectional view taken along line 8—8 of FIG. 2; and,

FIG. 9 is an enlarged cross sectional view taken along line 9—9 of FIG. 3.

(56) **References Cited**

U.S. PATENT DOCUMENTS

D449,643 S * 10/2001 Hatasa et al. D18/56

D463,818 S * 10/2002 Fujinuma et al. D18/43

D477,020 S * 7/2003 Seino D18/56

1 Claim, 9 Drawing Sheets

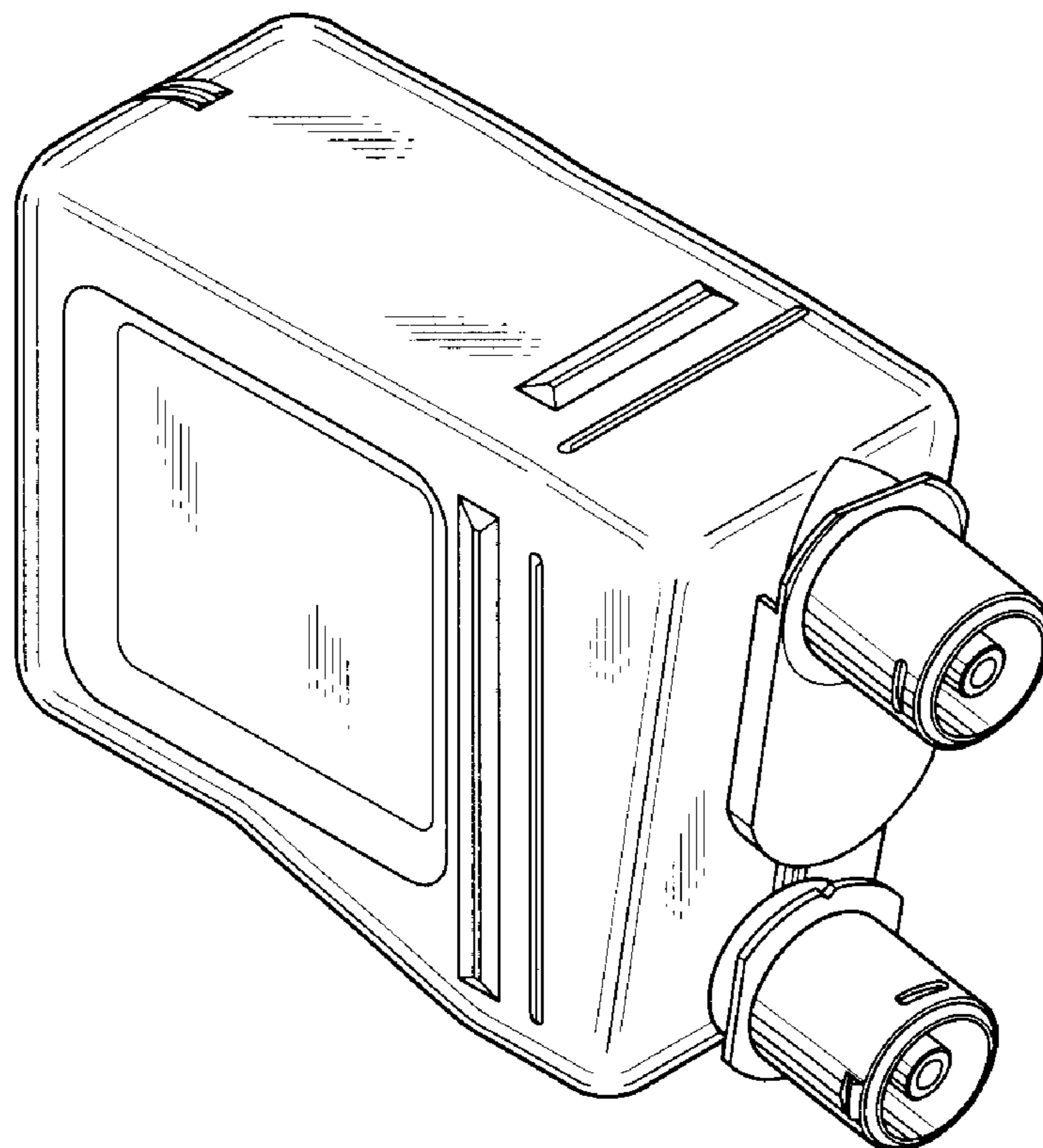


FIG.1

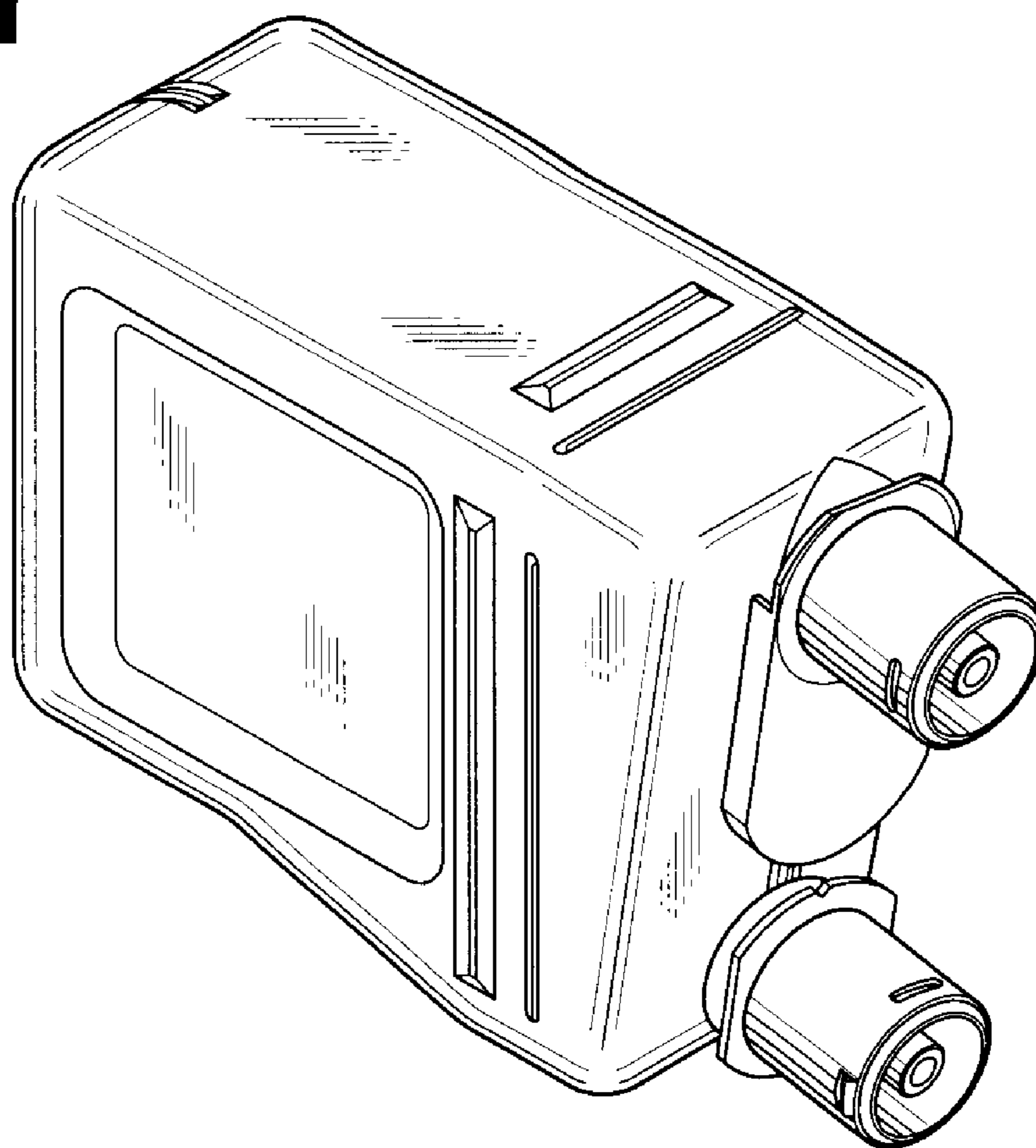


FIG. 2

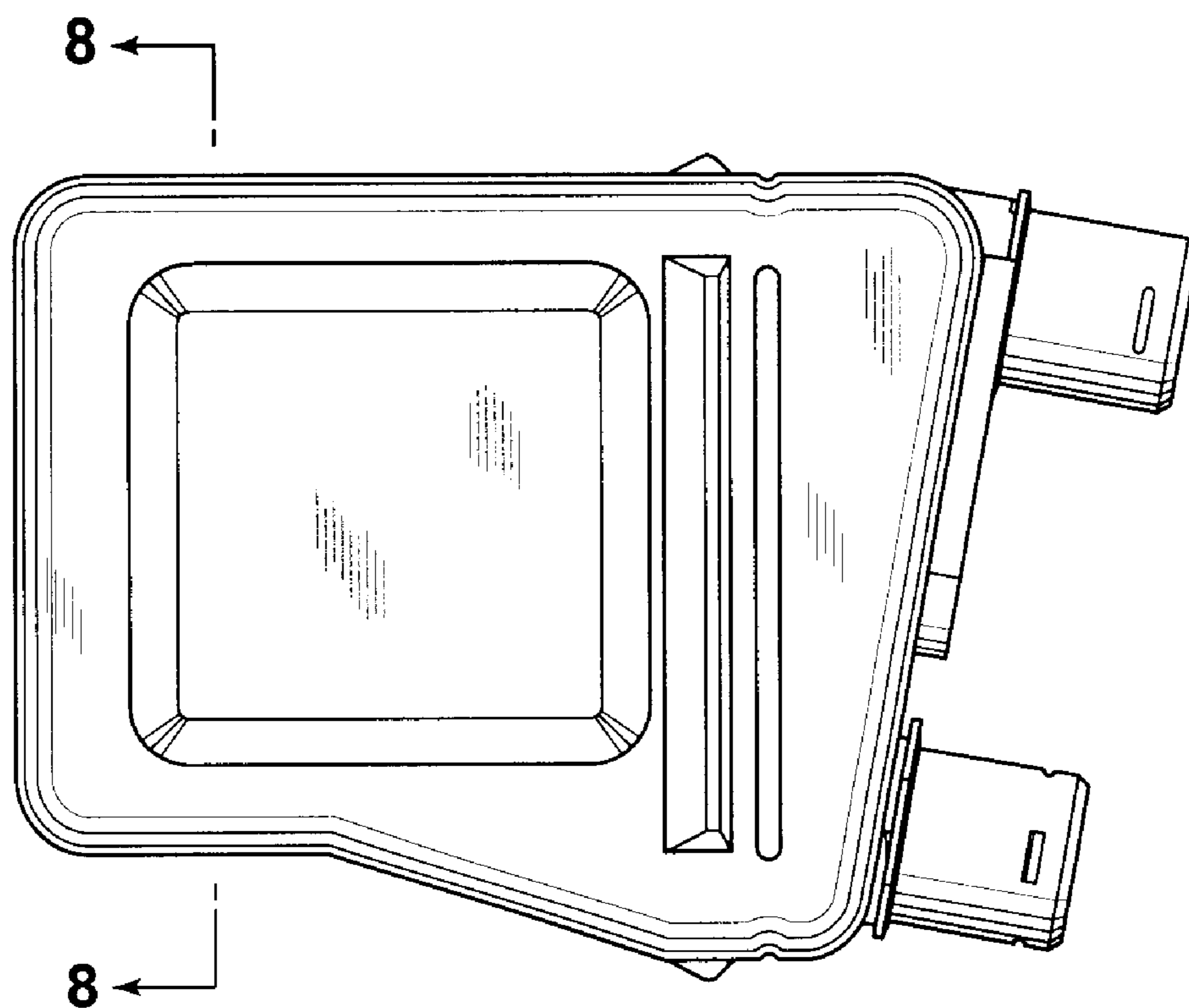


FIG.3

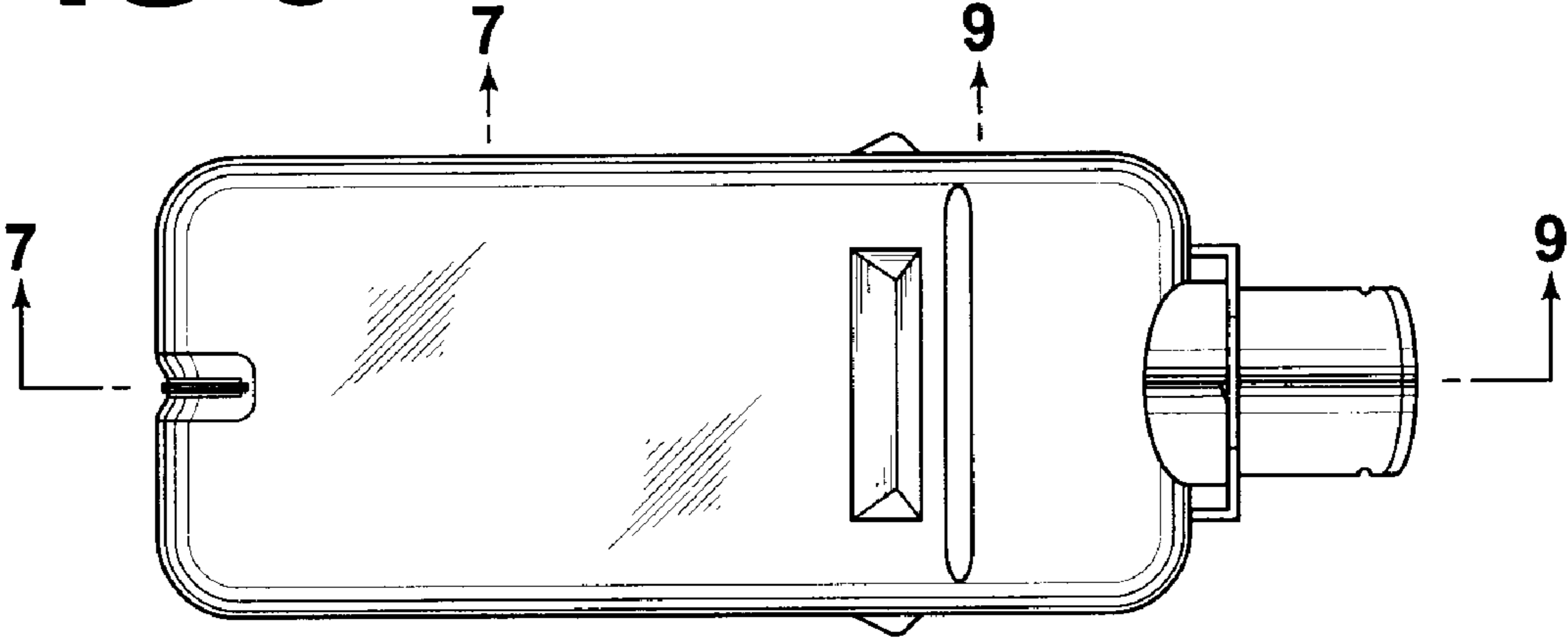


FIG. 4

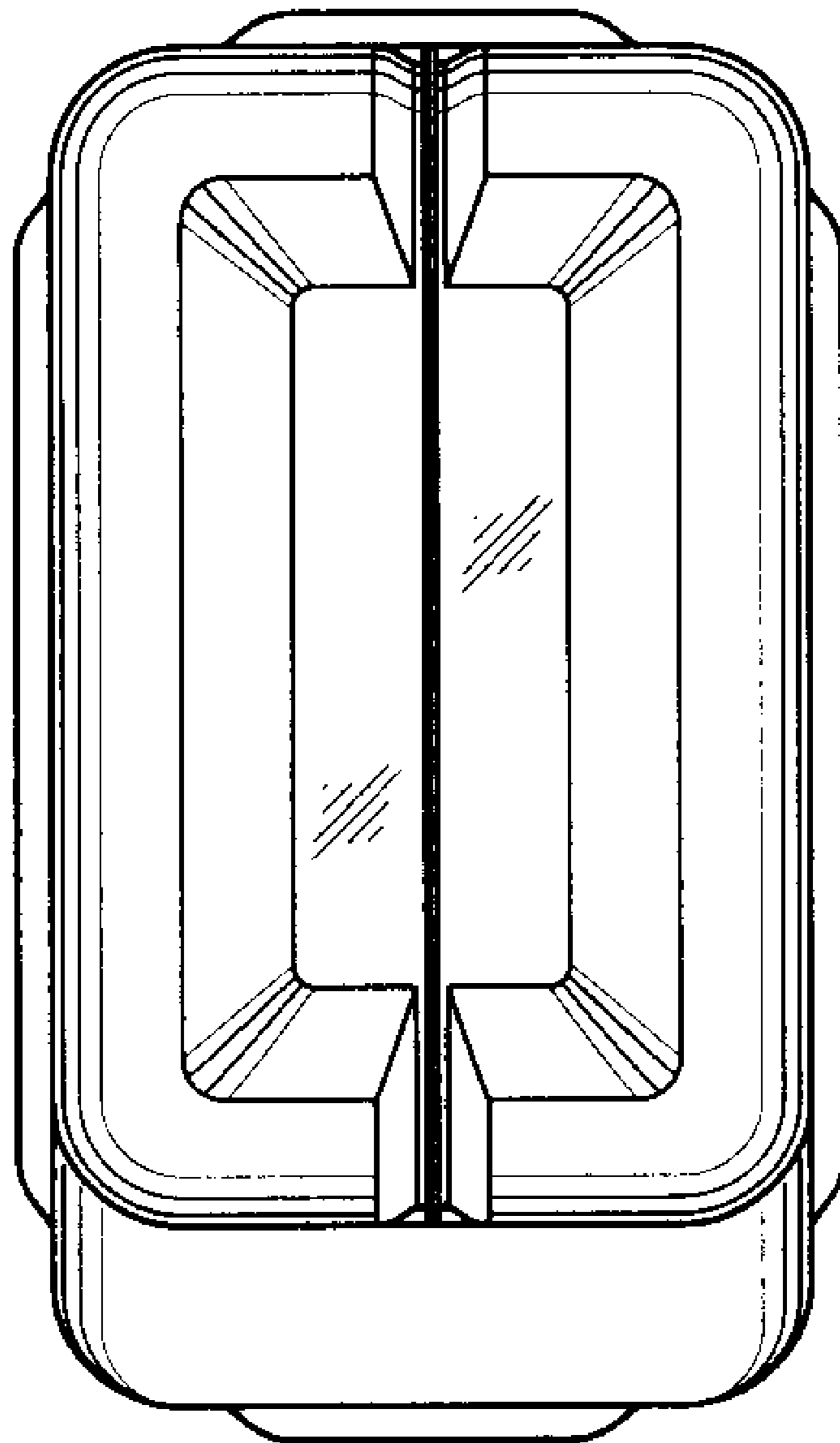


FIG. 5

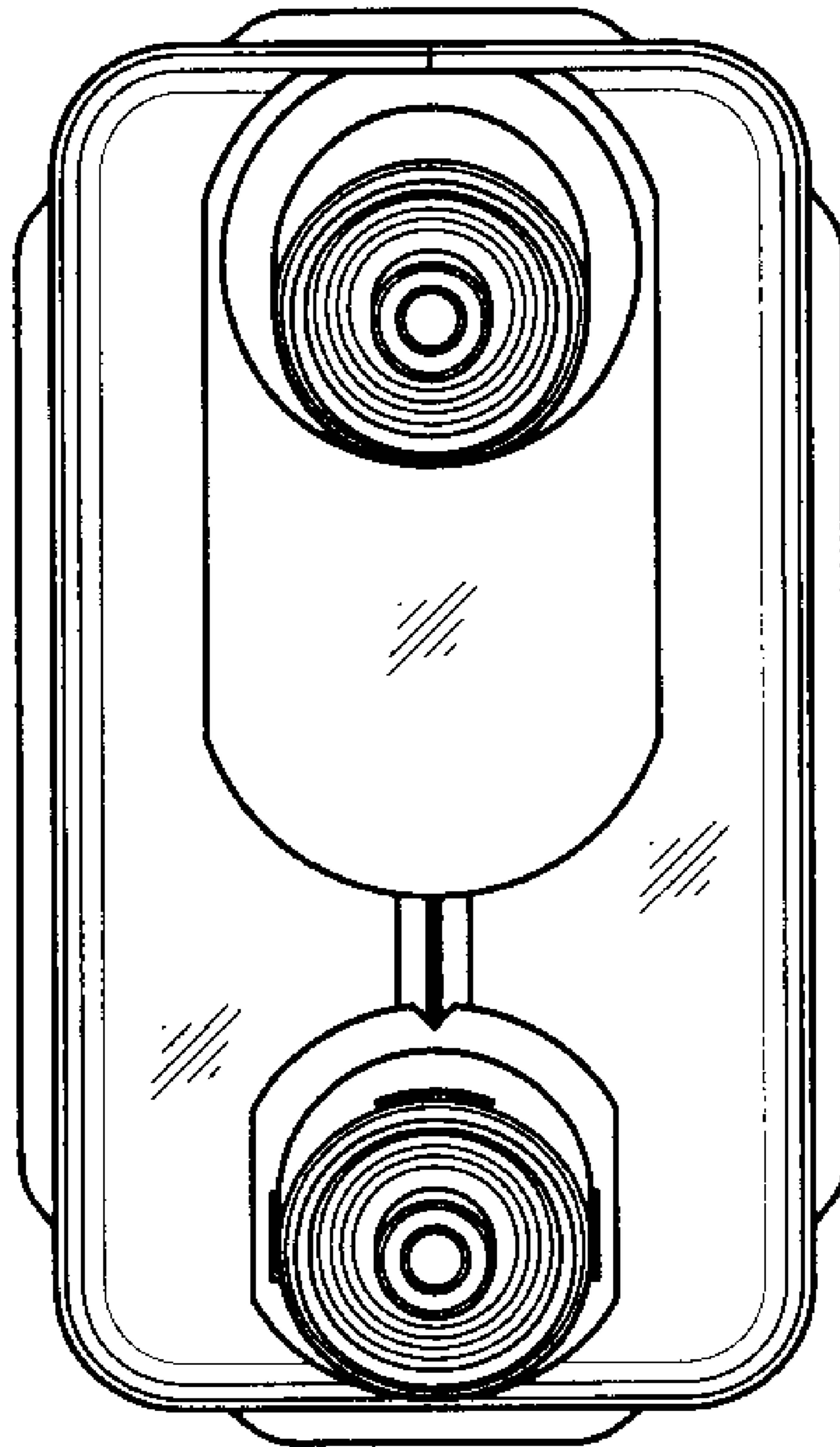


FIG. 6

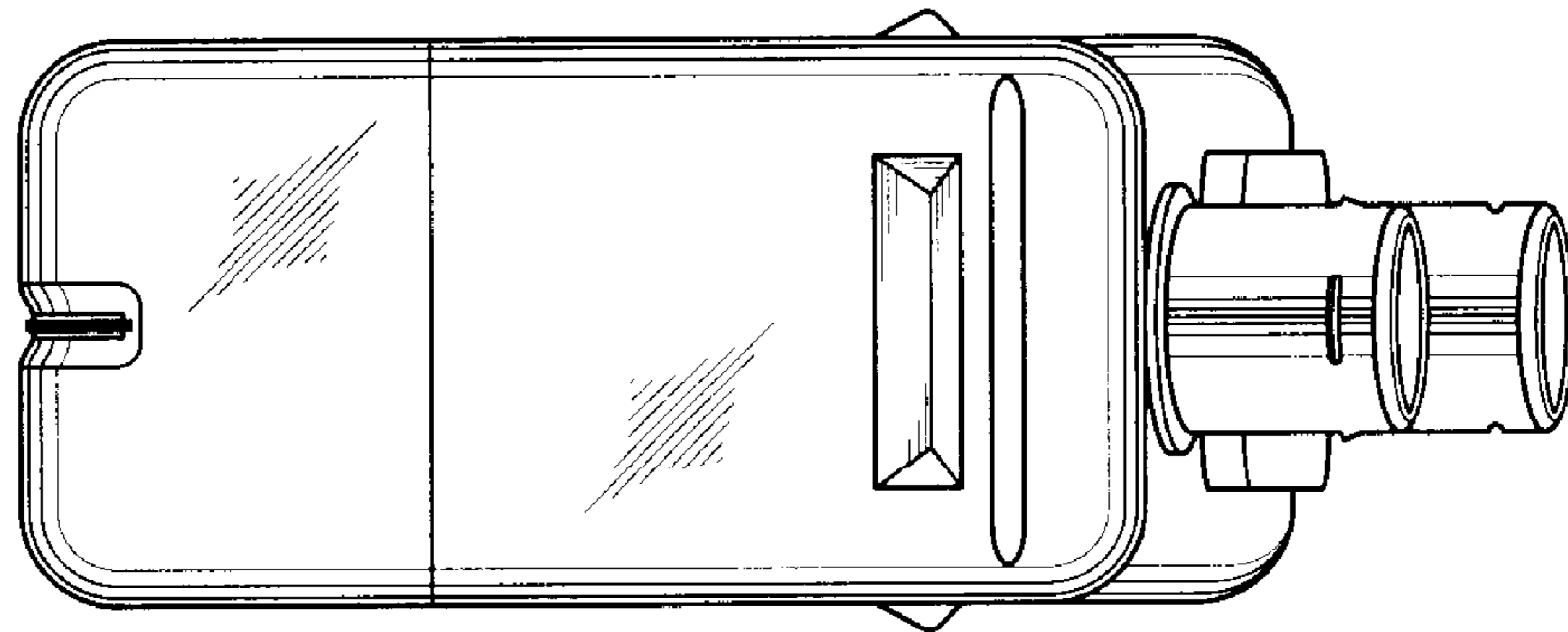


FIG. 7

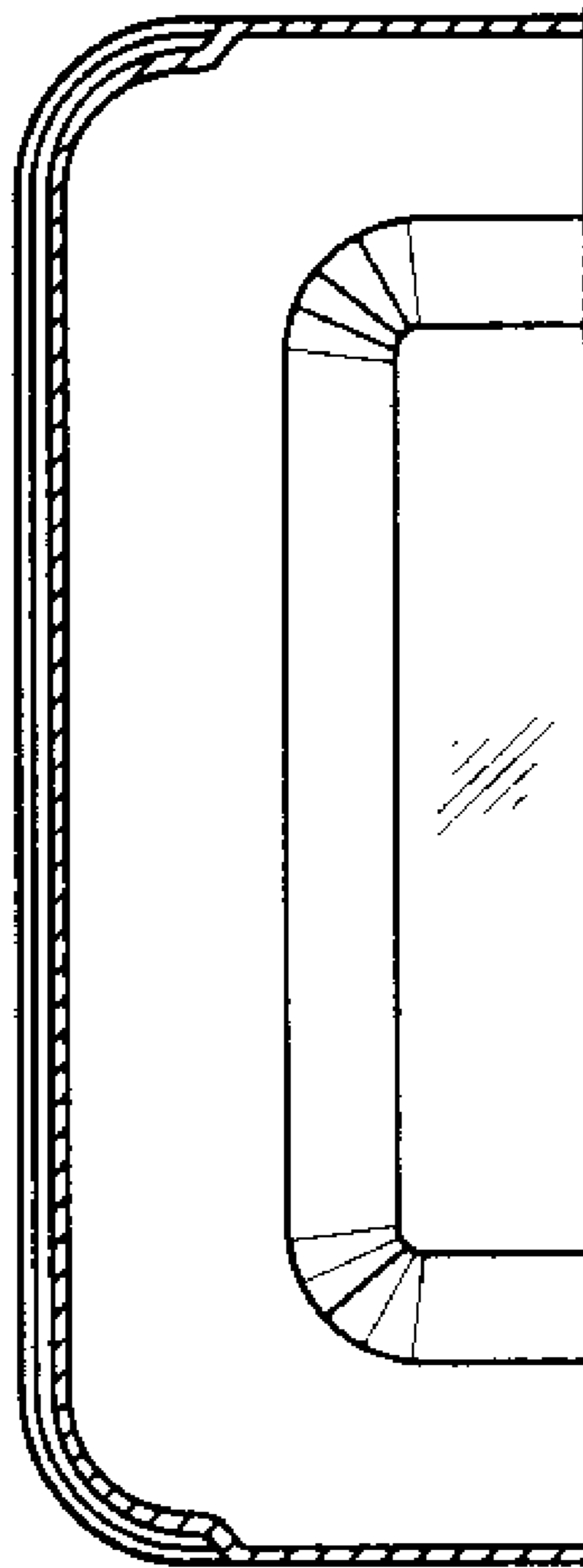


FIG. 8

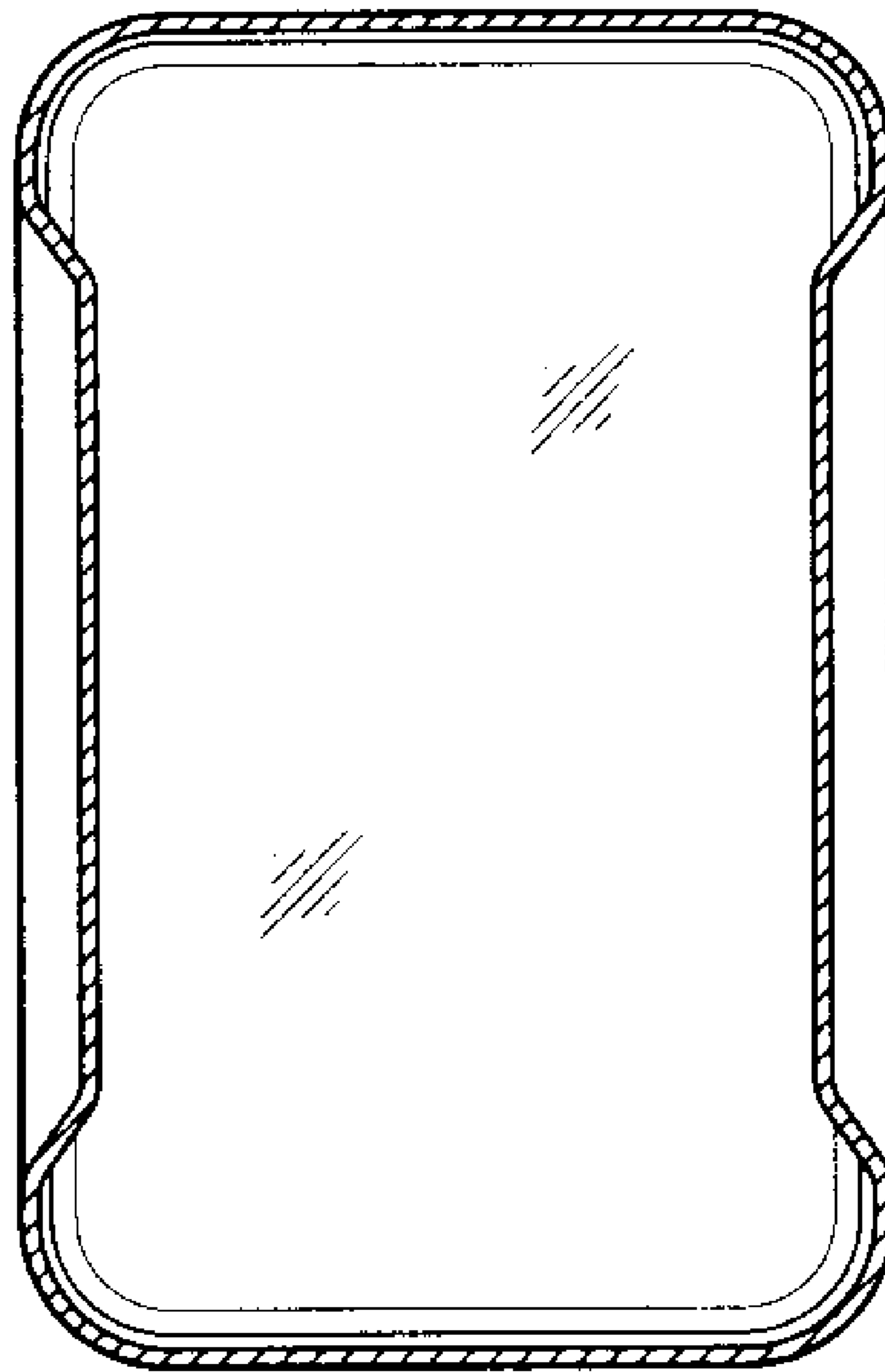


FIG. 9

