

US00D524366S

(12) **United States Design Patent**
Arai et al.

(10) **Patent No.:** **US D524,366 S**
(45) **Date of Patent:** **** Jul. 4, 2006**

(54) **INK CONTAINER**

D496,684 S * 9/2004 Goldfain et al. D18/56

(75) Inventors: **Masakatsu Arai**, Ibaraki-ken (JP);
Kaoru Kimura, Ibaraki-ken (JP)

FOREIGN PATENT DOCUMENTS

JP 912378 3 7/1997

(73) Assignee: **Riso Kagaku Corporation**, Tokyo (JP)

* cited by examiner

(**) Term: **14 Years**

Primary Examiner—Cathy Anne MacCormac
(74) *Attorney, Agent, or Firm*—Frommer, Lawrence & Haug LLP; Matthew K. Ryan, Esq.

(21) Appl. No.: **29/201,586**

(22) Filed: **Mar. 18, 2004**

(57) **CLAIM**

(30) **Foreign Application Priority Data**

The ornamental design for an ink container, as shown and described.

Sep. 18, 2003 (JP) 2003-027205

DESCRIPTION

(51) **LOC (8) Cl.** **18-02**

(52) **U.S. Cl.** **D18/56; 347/86; D18/43**

(58) **Field of Classification Search** D18/40,
D18/43, 56; 347/86, 87

See application file for complete search history.

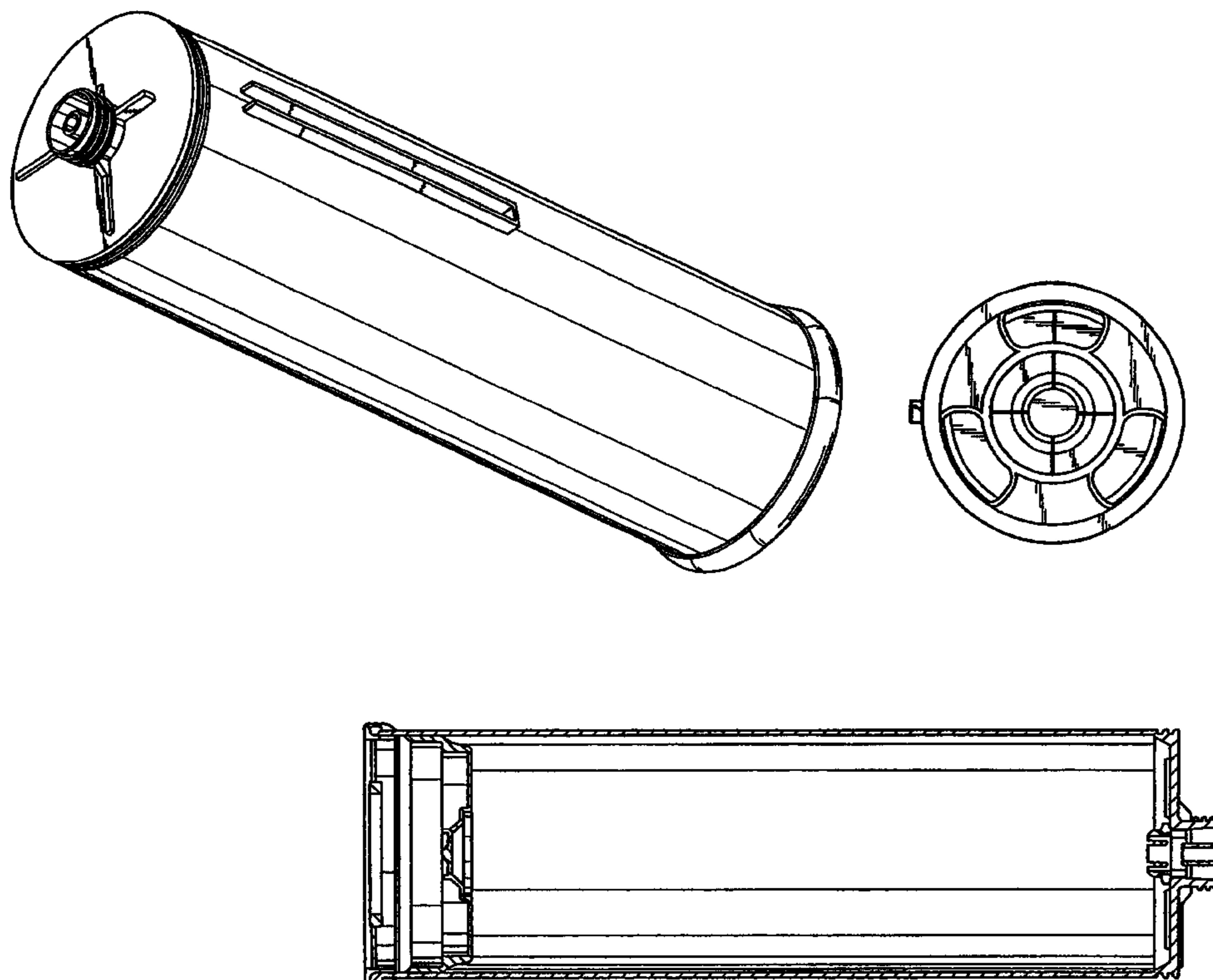
FIG. 1 is a perspective view of the front, bottom and left side of an ink container showing our new design;
FIG. 2 is a front elevational view thereof;
FIG. 3 is a top plan view thereof;
FIG. 4 is a left side elevational view thereof;
FIG. 5 is a right side elevational view thereof;
FIG. 6 is a rear elevational view thereof;
FIG. 7 is a bottom plan view thereof;
FIG. 8 is a cross sectional view thereof taken along line 8—8 of FIG. 4; and,
FIG. 9 is a partial cross sectional view thereof taken along line 9—9 of FIG. 6.

(56) **References Cited**

U.S. PATENT DOCUMENTS

D236,694 S	*	9/1975	Avolio	D18/43
4,688,926 A	*	8/1987	Manno	D18/43
5,839,368 A	*	11/1998	Ohinata	347/86
6,238,044 B1	*	5/2001	Silverbrook et al.	347/86
D466,150 S	*	11/2002	Matsumoto et al.	D18/56
D478,118 S	*	8/2003	Neri	D18/40

1 Claim, 9 Drawing Sheets



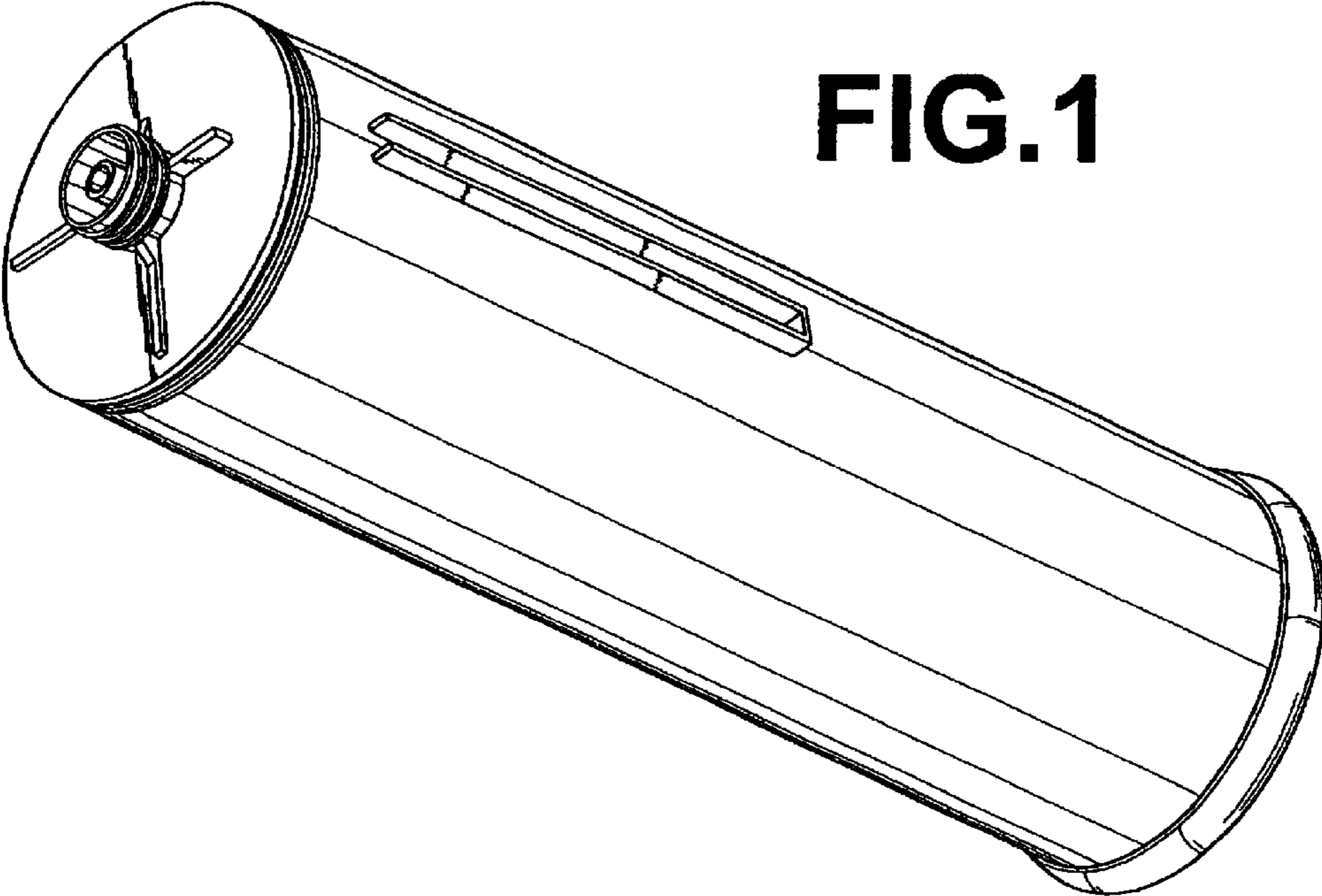


FIG.1

FIG.2

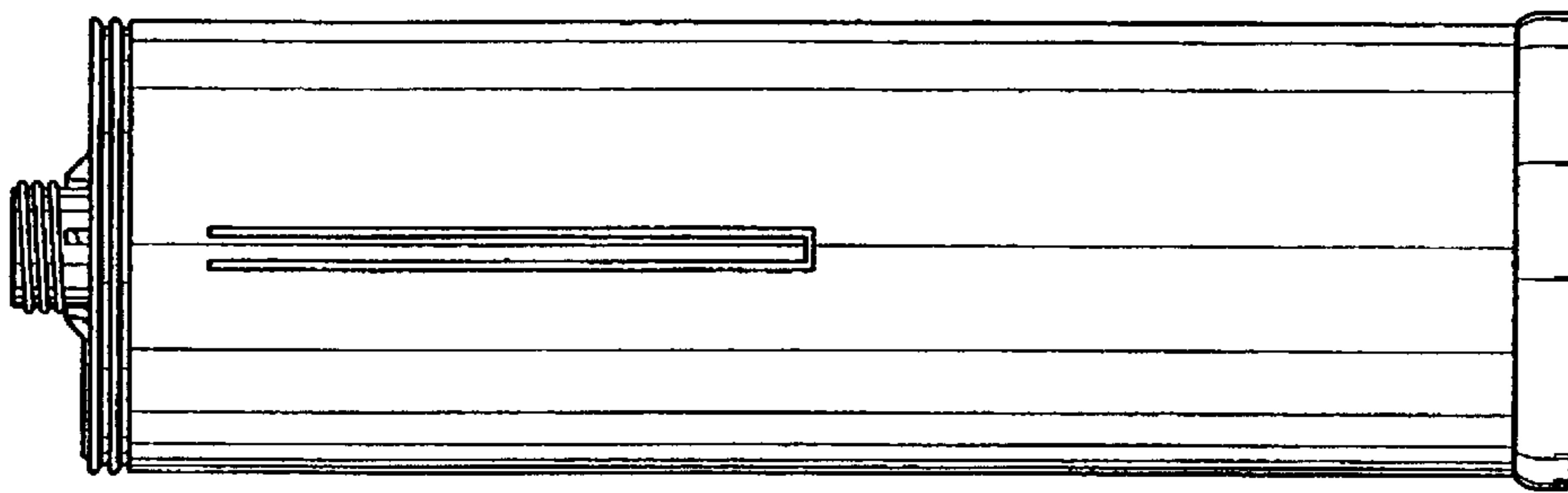


FIG.3

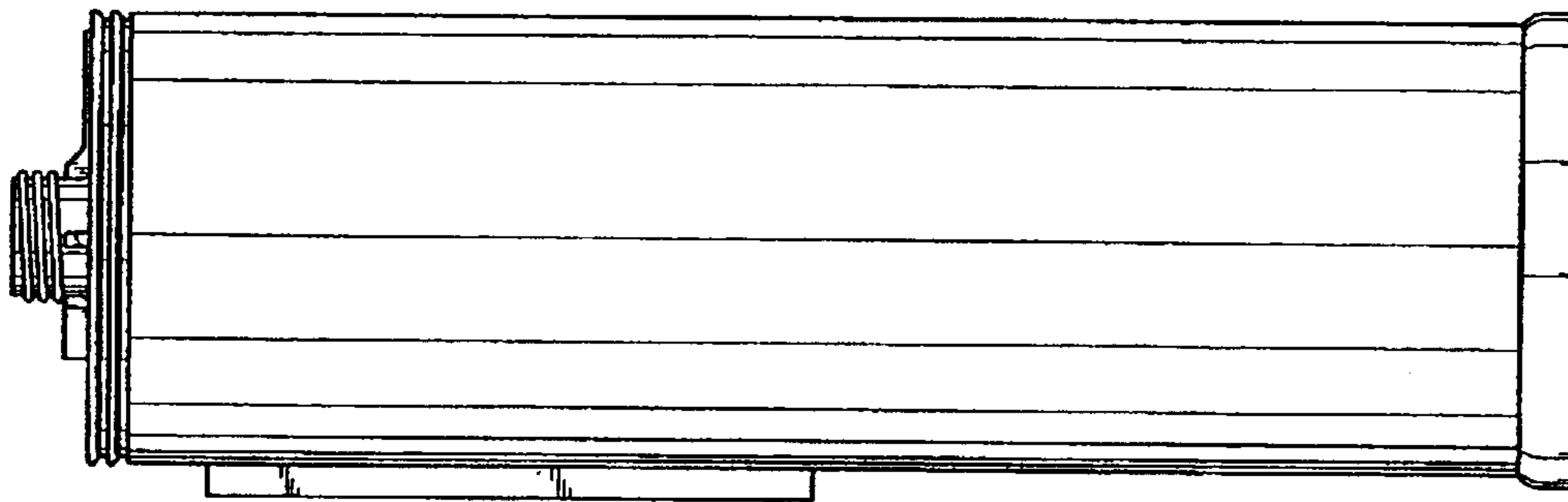


FIG.4

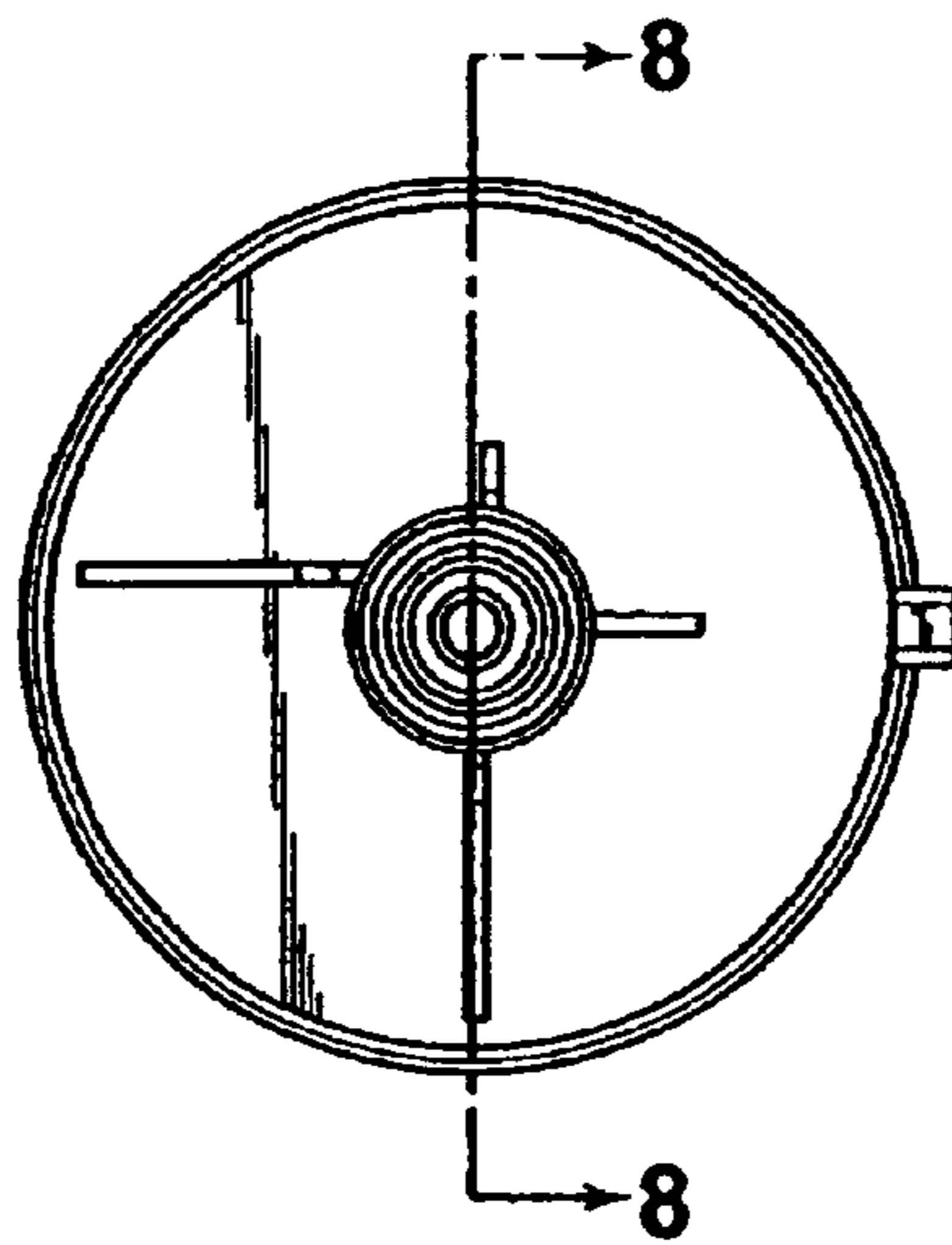


FIG.5

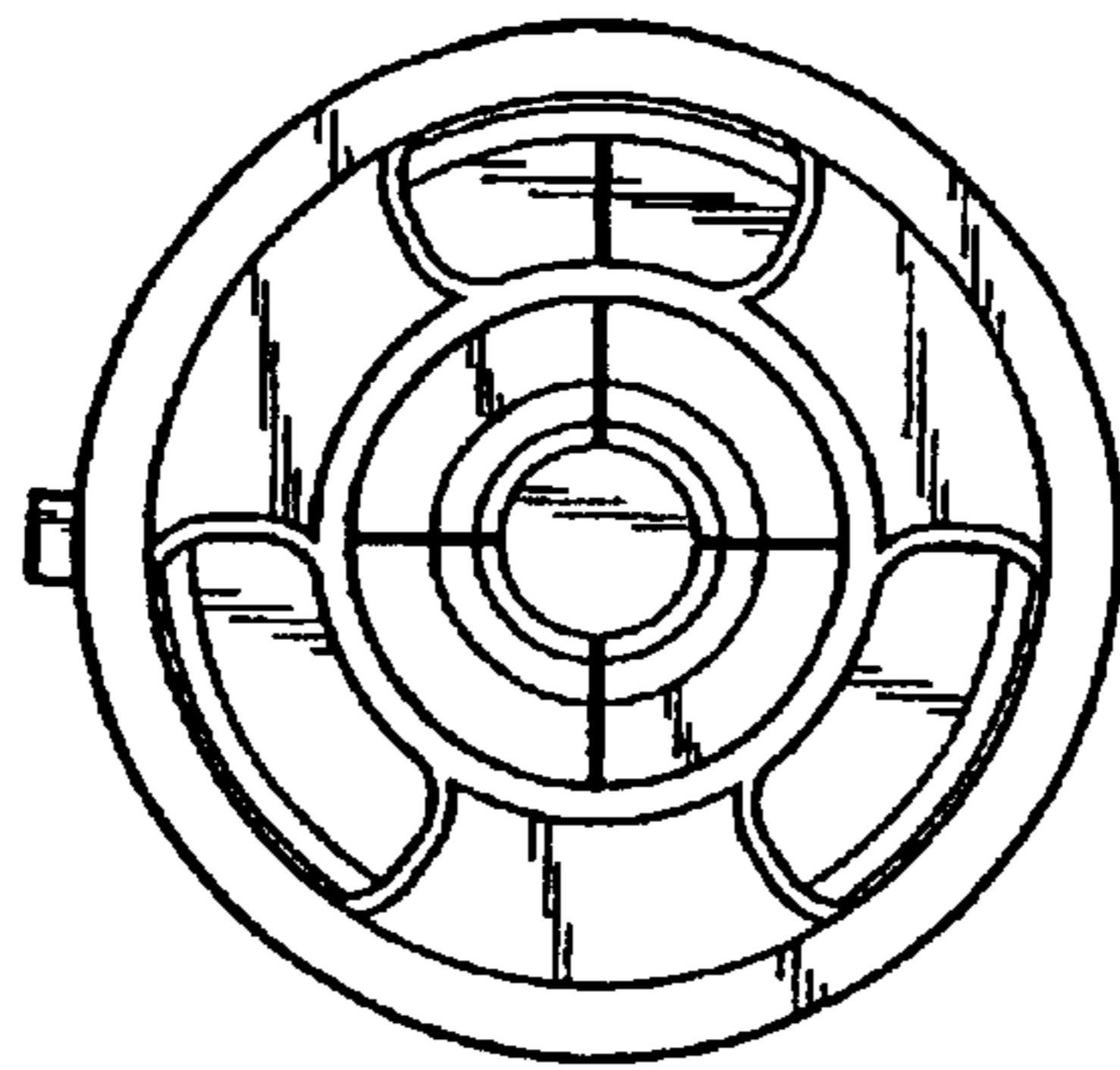


FIG.6

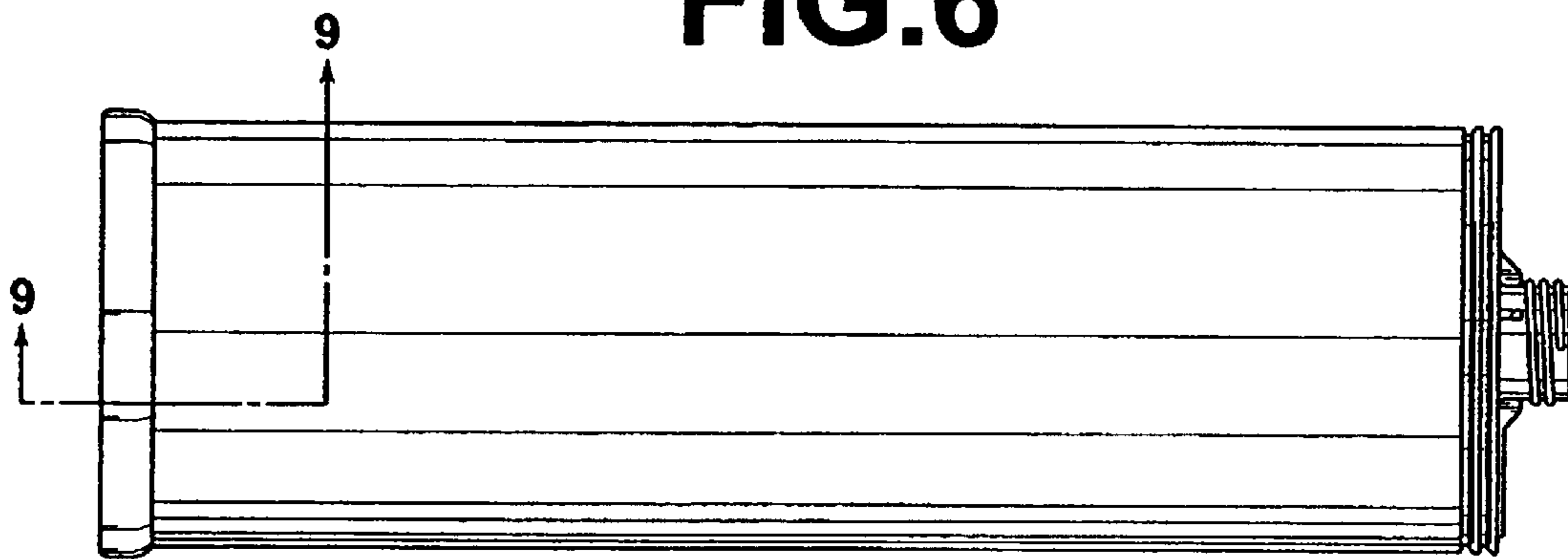


FIG. 7

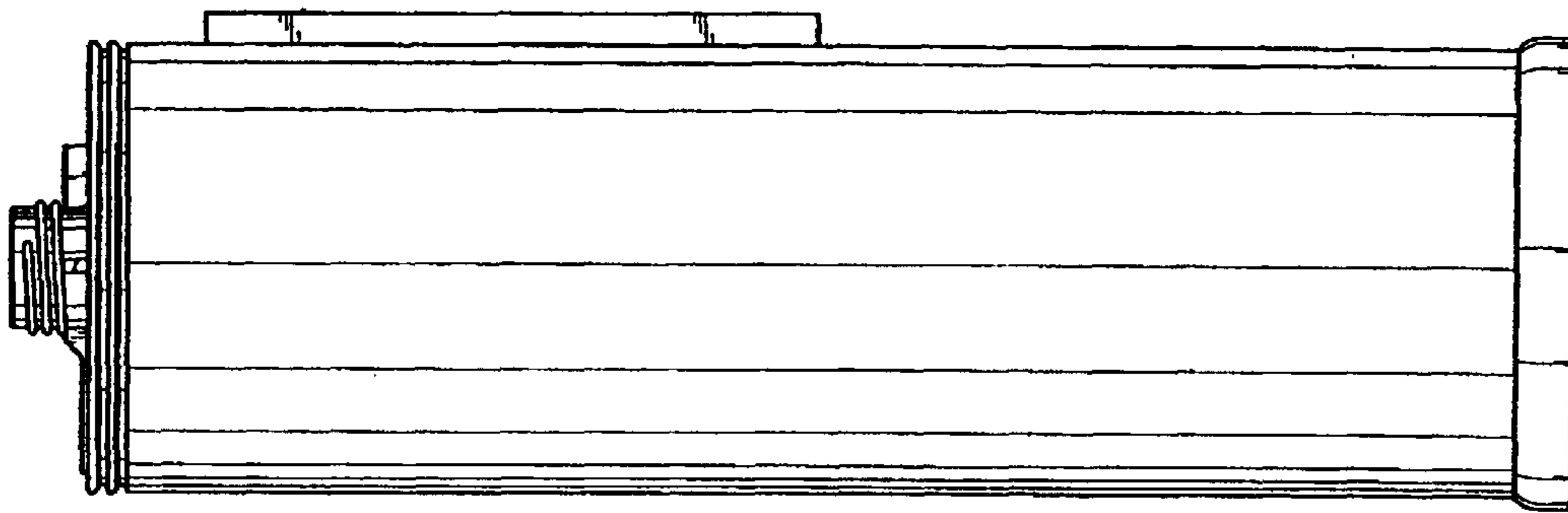


FIG.8

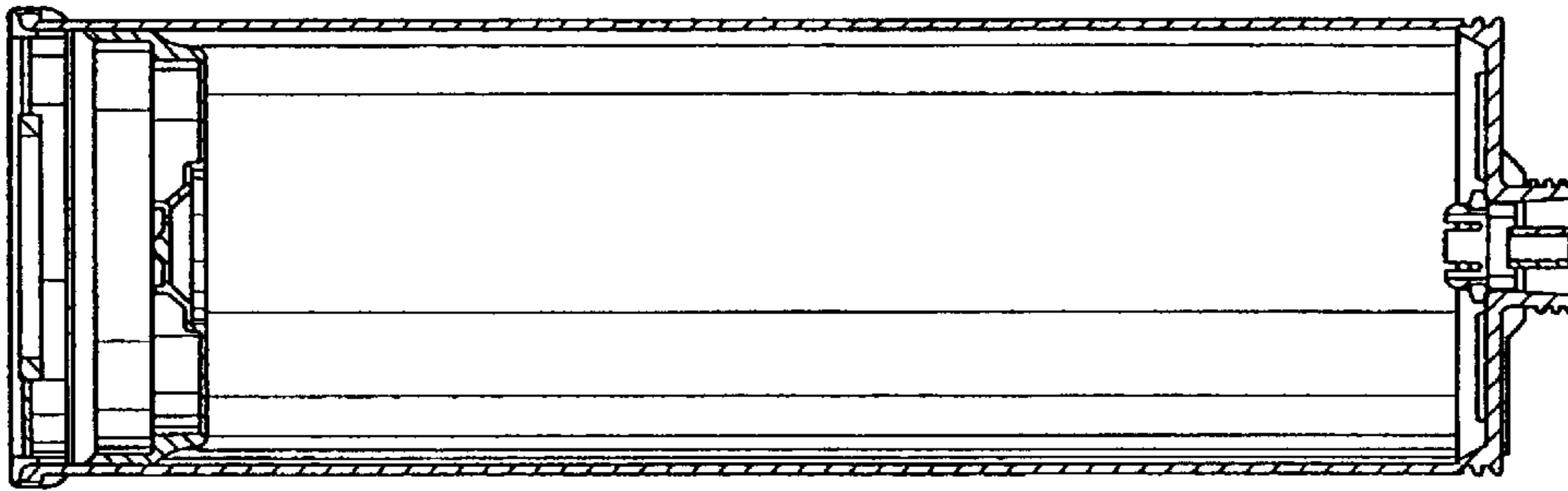


FIG.9

