

US00D524365S

(12) **United States Design Patent**
Hamu

(10) **Patent No.:** **US D524,365 S**

(45) **Date of Patent:** **** Jul. 4, 2006**

(54) **LOCKING BAR FOR SCREEN PRINTING**

5,832,822 A * 11/1998 Hamu 101/126
6,553,904 B1 * 4/2003 Goss 101/127.1

(76) **Inventor:** **Alan J. Hamu**, Box 1288, Sunset Beach, CA (US) 90742

* cited by examiner

(**) **Term:** **14 Years**

Primary Examiner—Louis S. Zarfes

Assistant Examiner—Anhdao Doan

(21) **Appl. No.:** **29/182,271**

(74) *Attorney, Agent, or Firm*—Boniard I. Brown

(22) **Filed:** **May 21, 2003**

(57) **CLAIM**

(51) **LOC (8) Cl.** **18-02**

The ornamental design for a locking bar for screen printing, as shown and described.

(52) **U.S. Cl.** **D18/56**

(58) **Field of Classification Search** 101/93.4,
101/115, 126, 127, 127.1, 129; 38/102.5,
38/102; 160/371; D18/58, 99, 12, 13, 22,
D18/23; D8/355

DESCRIPTION

See application file for complete search history.

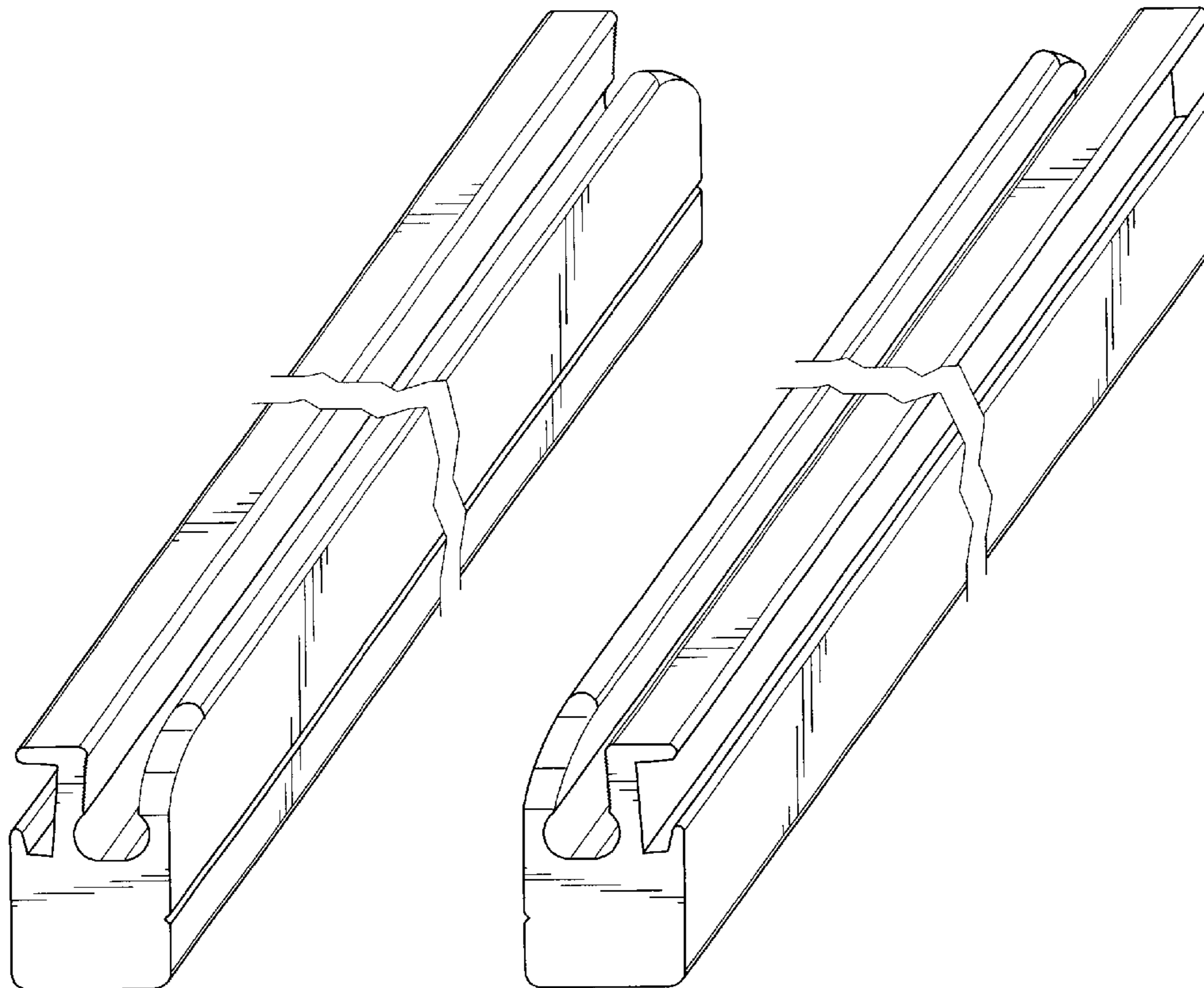
FIG. 1 is a perspective view of a locking bar for screen printing, showing my new design;
FIG. 2 is a perspective view of the locking bar of FIG. 1, taken from the end opposite from that of FIG. 1;
FIG. 3 is an end view of the locking bar of FIG. 1;
FIG. 4 is an end view of the locking bar of FIG. 2;
FIG. 5 is a bottom view of the locking bar of FIG. 1;
FIG. 6 is another perspective view thereof; and,
FIG. 7 is a sectional view taken on line 7—7 of FIG. 6.
The broken line showings in FIGS. 6 and 7 are for illustrative purposes only and form no part of the claimed design.
The broken away views, FIGS. 1, 2 and 5, are to show indeterminate length.

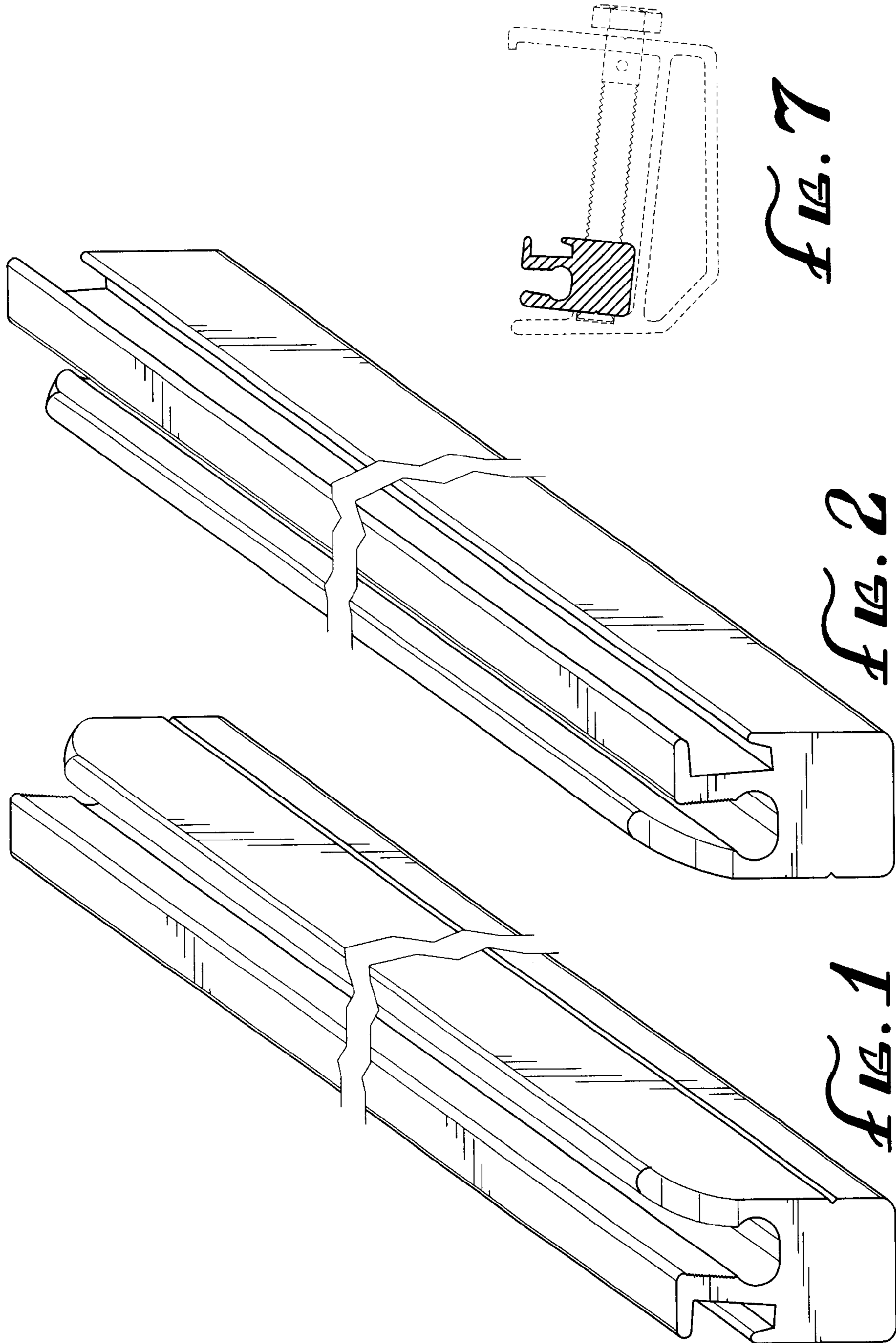
(56) **References Cited**

U.S. PATENT DOCUMENTS

281,079	A	*	7/1883	Kunita et al.	54/53
3,553,862	A	*	1/1971	Hamu et al.	38/102.1
3,962,805	A		6/1976	Hamu		
4,041,861	A	*	8/1977	Alter	101/128.4
4,409,749	A	*	10/1983	Hamu	38/102.3
5,136,797	A	*	8/1992	Hildebrandt	38/102.91
5,379,691	A	*	1/1995	Hamu et al.	101/127.1
5,443,003	A		8/1995	Larson		
5,794,528	A	*	8/1998	Gronig et al.	101/127.1

1 Claim, 2 Drawing Sheets





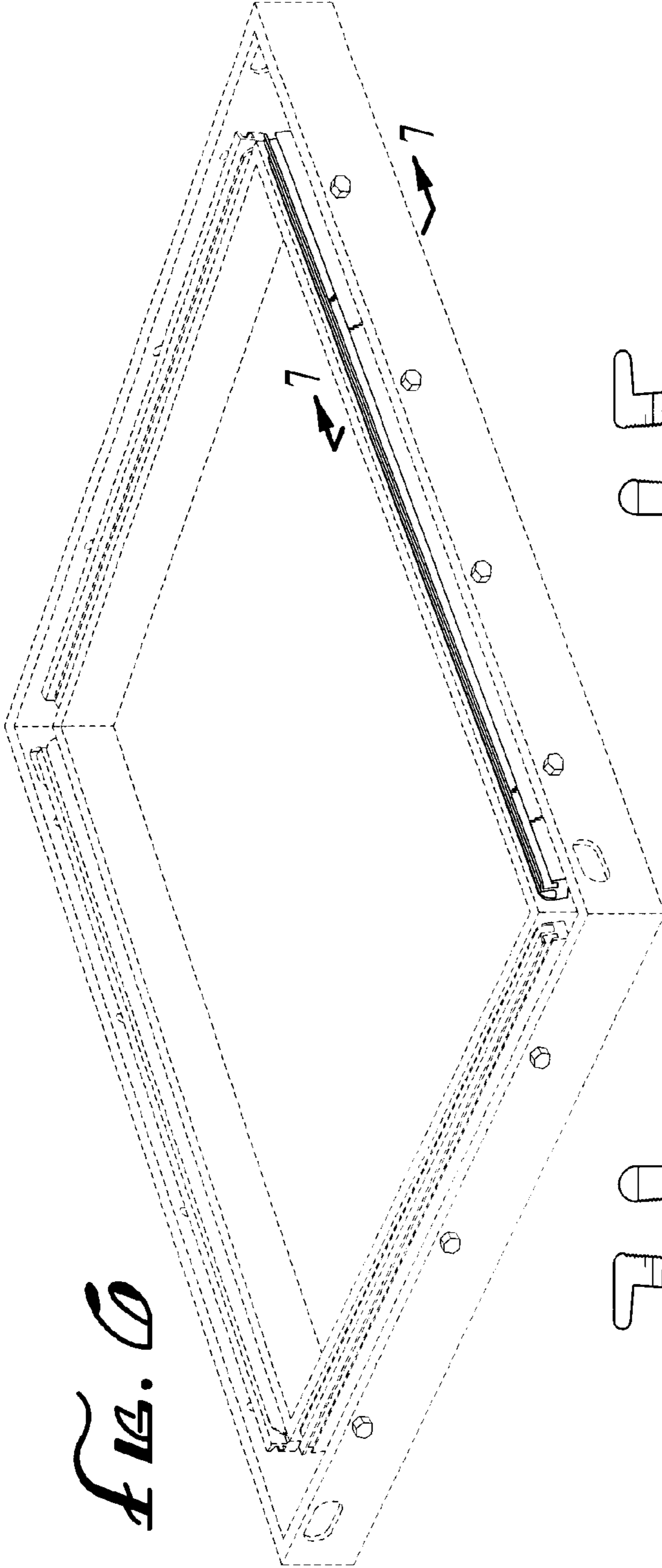


FIG. 1

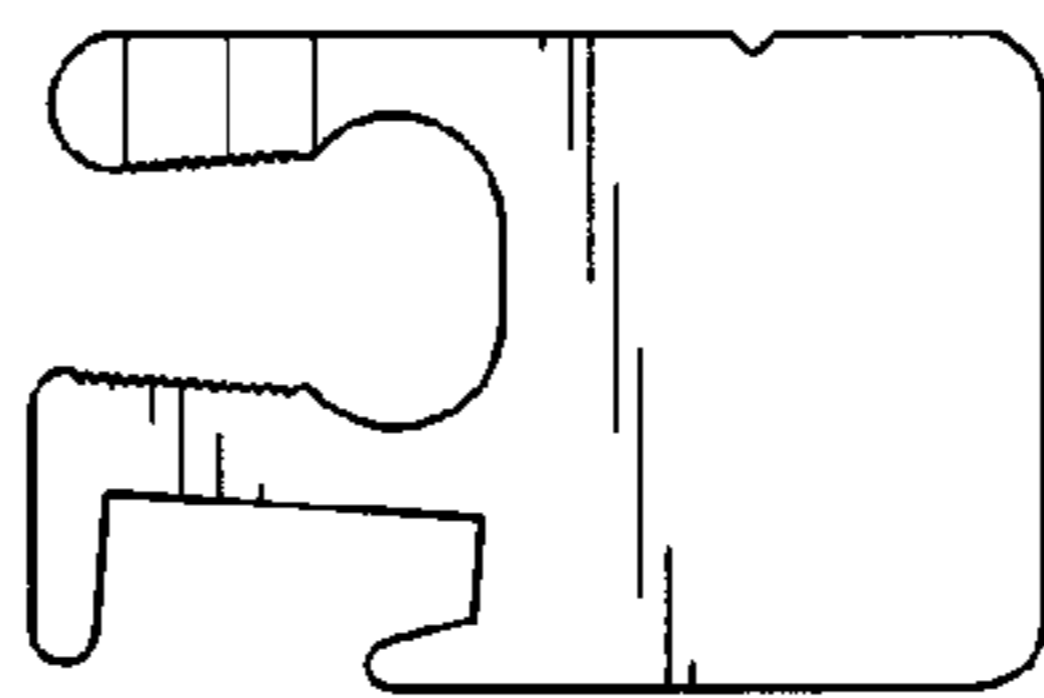


FIG. 2

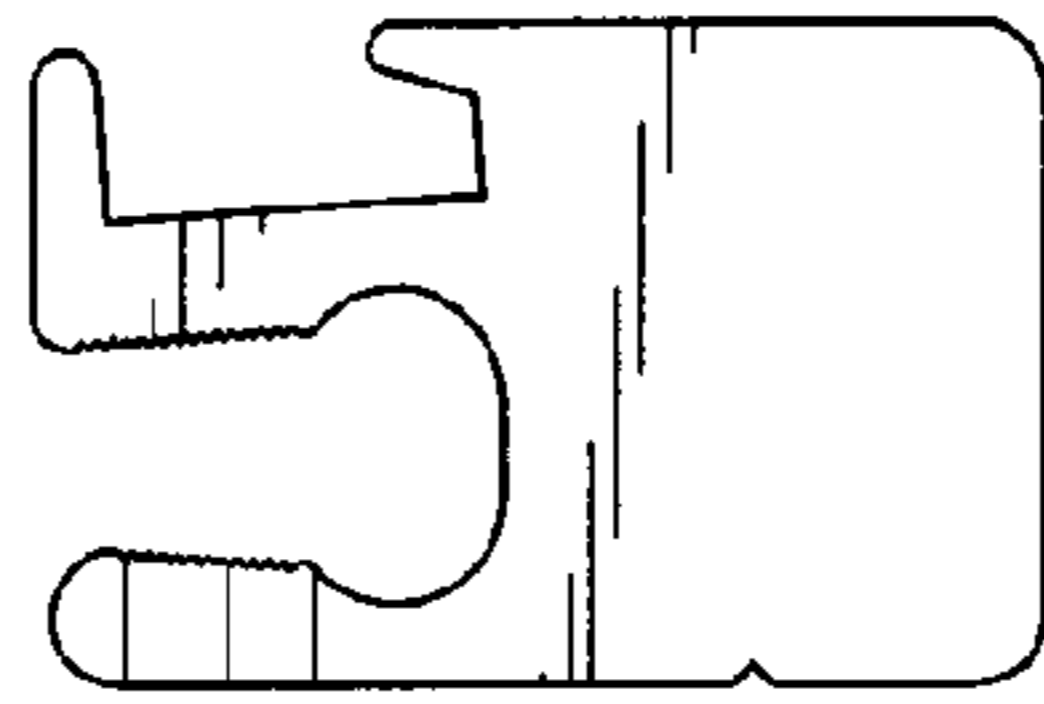


FIG. 3

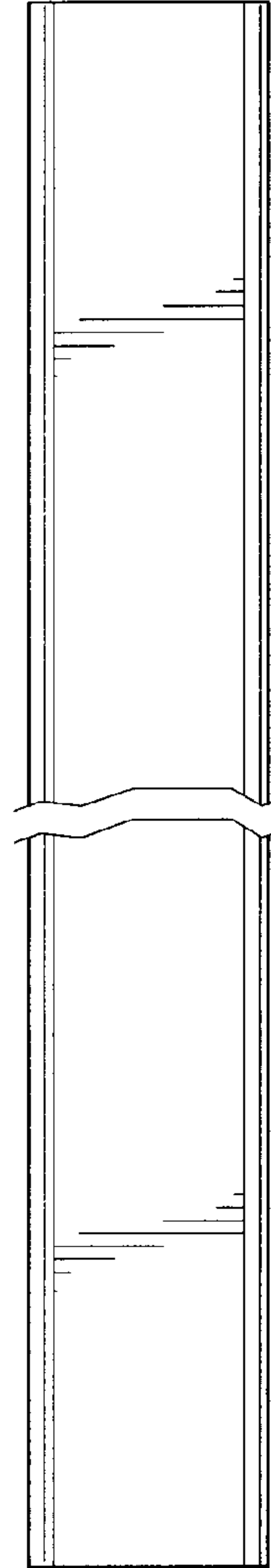


FIG. 4