



US00D524364S

(12) **United States Design Patent**
Larson et al.

(10) **Patent No.:** **US D524,364 S**
(45) **Date of Patent:** **** Jul. 4, 2006**

(54) **MULTI-FUNCTION PRINTER**
(75) Inventors: **David B. Larson**, Boise, ID (US); **Julie B. Jensen**, Boise, ID (US); **Angela K. Ogle**, Boise, ID (US)

(73) Assignee: **Hewlett-Packard Development Company, L.P.**, Houston, TX (US)

(**) Term: **14 Years**

(21) Appl. No.: **29/203,696**

(22) Filed: **Apr. 16, 2004**

(51) **LOC (8) Cl.** **18-02**

(52) **U.S. Cl.** **D18/55**

(58) **Field of Classification Search** D18/19,
D18/36-41, 50, 53, 54, 54.1, 55; D14/420-425,
D14/462-470; 400/613, 613.1-613.4, 690.1-690.4,
400/691-694

See application file for complete search history.

(56) **References Cited**

U.S. PATENT DOCUMENTS

D377,370 S * 1/1997 Escobedo et al. D18/55

D420,998 S * 2/2000 Leong et al. D14/422
D434,436 S * 11/2000 Fetherolf D18/55
D440,247 S * 4/2001 Takimoto et al. D18/54
D442,989 S * 5/2001 Leong et al. D18/55
D473,894 S * 4/2003 Leong et al. D18/55

* cited by examiner

Primary Examiner—Louis S. Zarfes

Assistant Examiner—Anhdao Doan

(57) **CLAIM**

We claim the ornamental design for a multi-function printer, as shown and described.

DESCRIPTION

FIG. 1 is a top perspective view of a multi-function printer; FIG. 2 is a top plan view thereof; FIG. 3 is a front elevational view thereof; FIG. 4 is a right-side elevational view thereof; the left-side elevational view thereof being a mirror image of the right-side elevational view shown; and, FIG. 5 is a rear elevational view thereof.

The broken lines in the drawings are for illustrative purposes only and form no part of the claimed design.

1 Claim, 5 Drawing Sheets

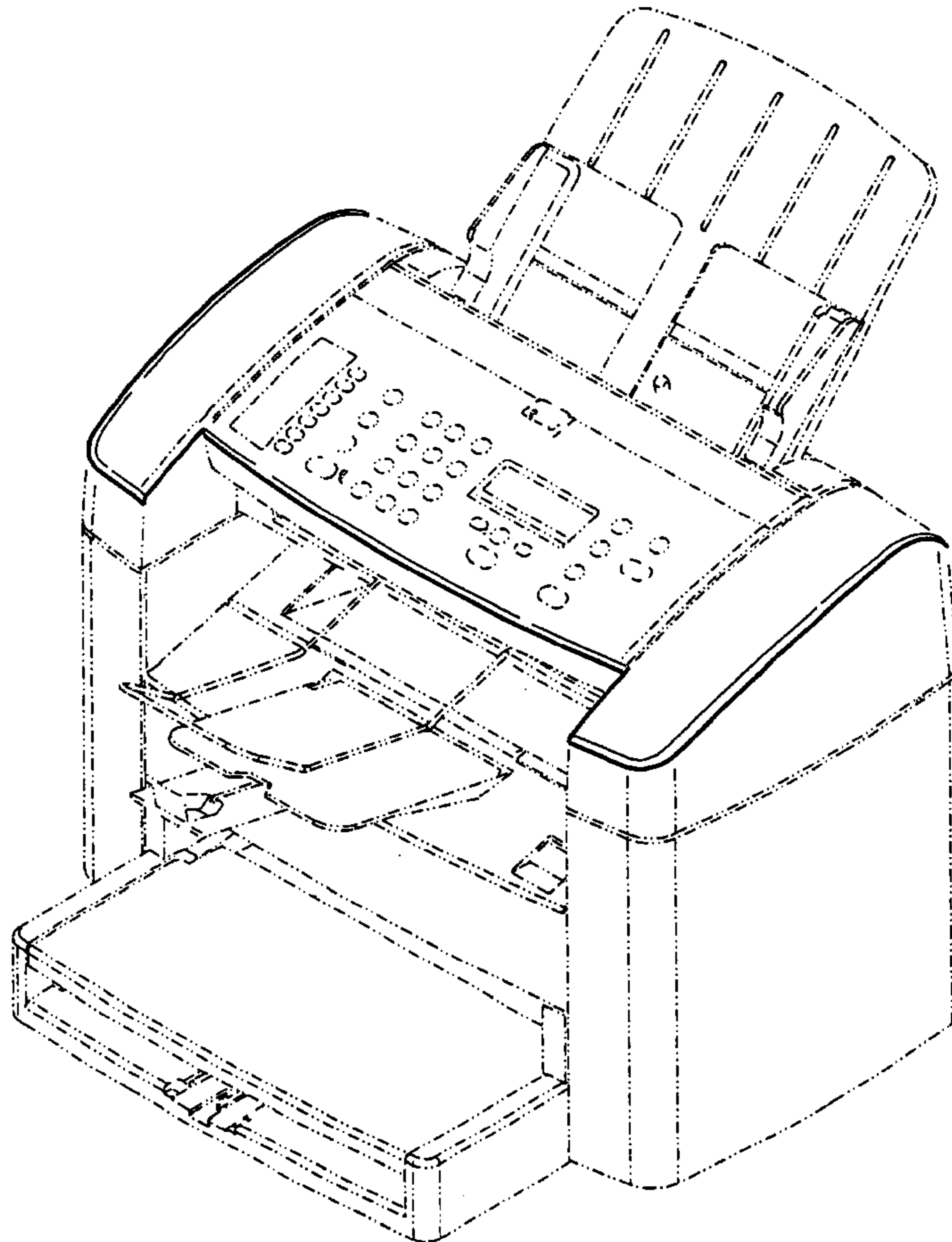
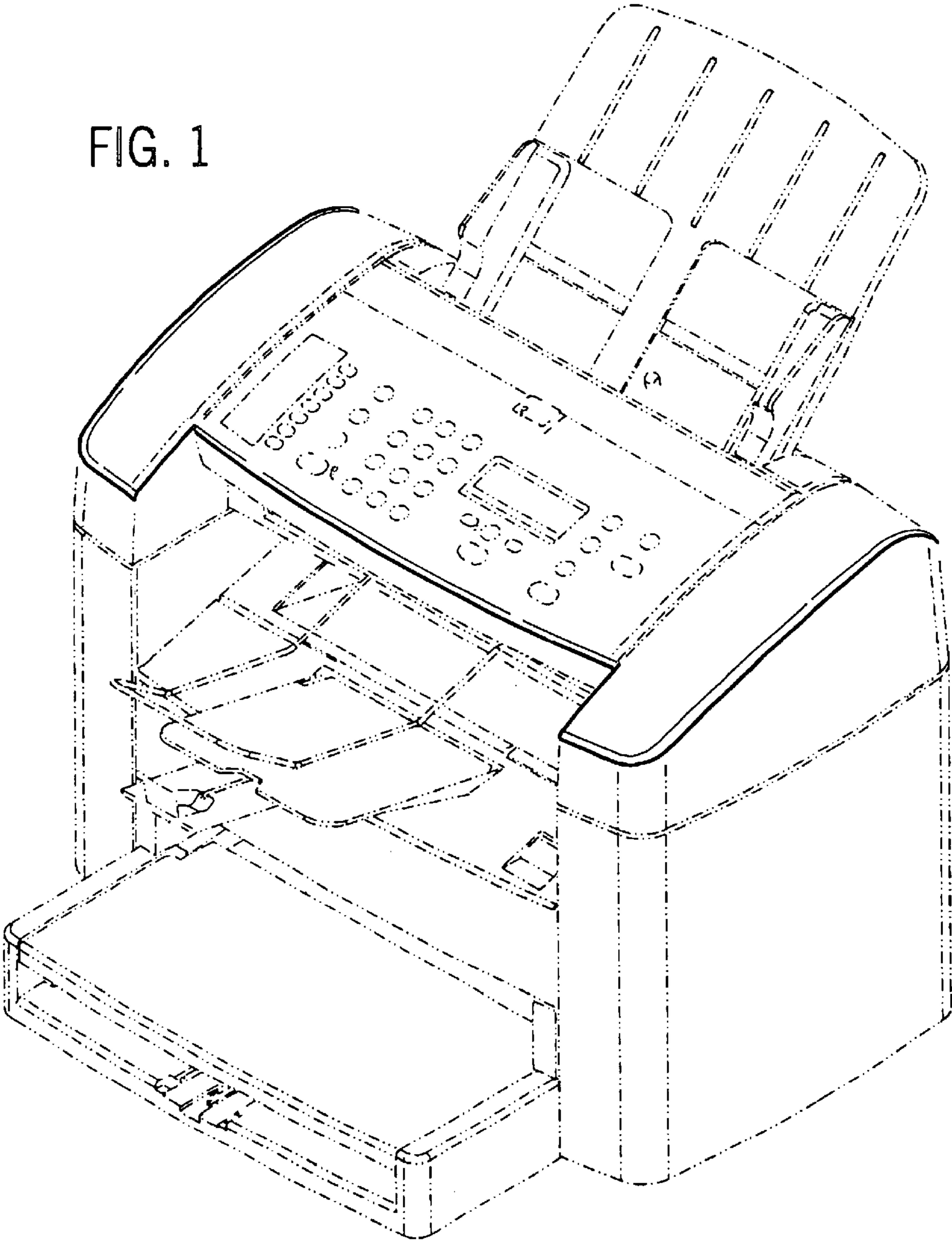


FIG. 1



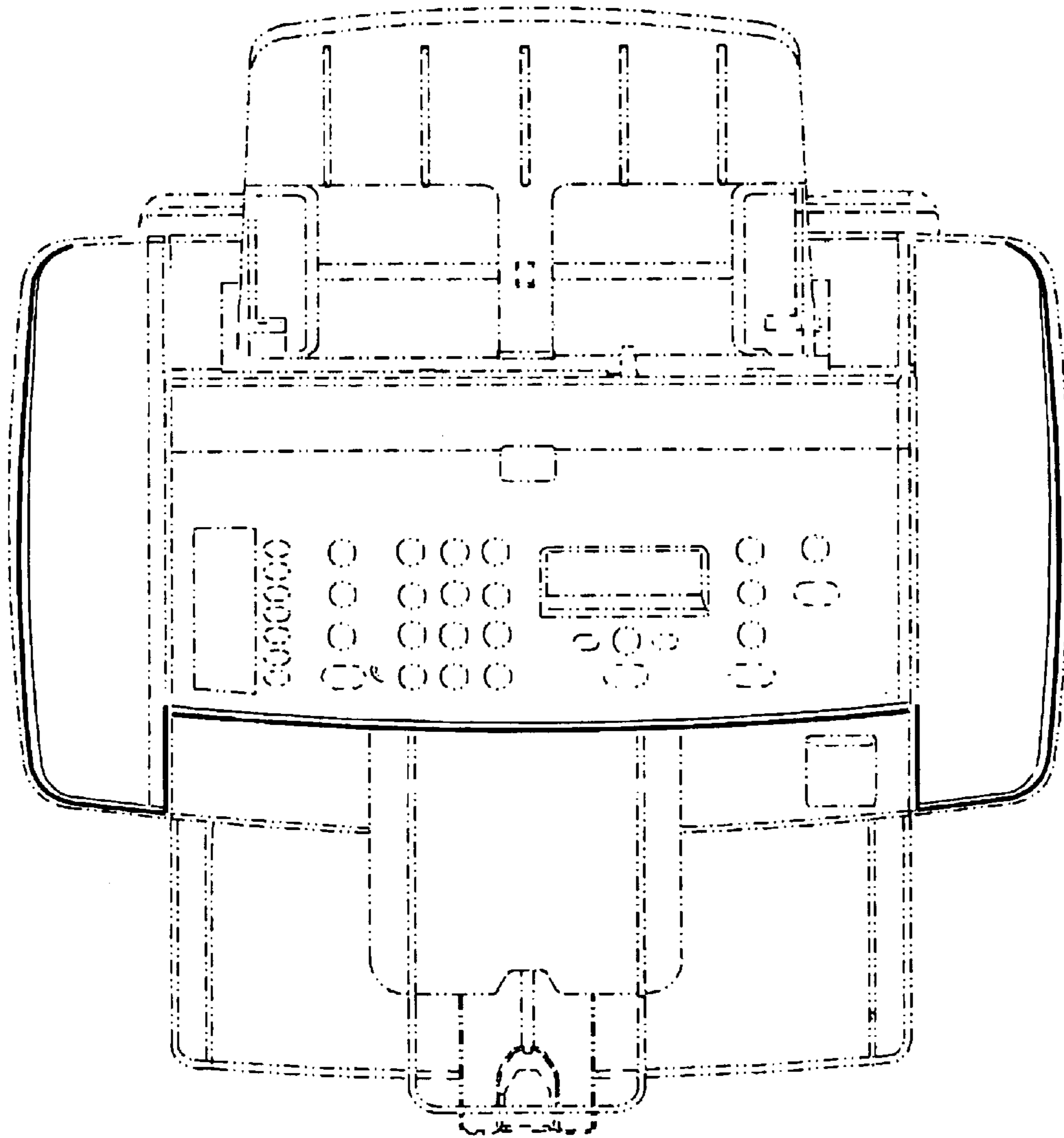


FIG. 2

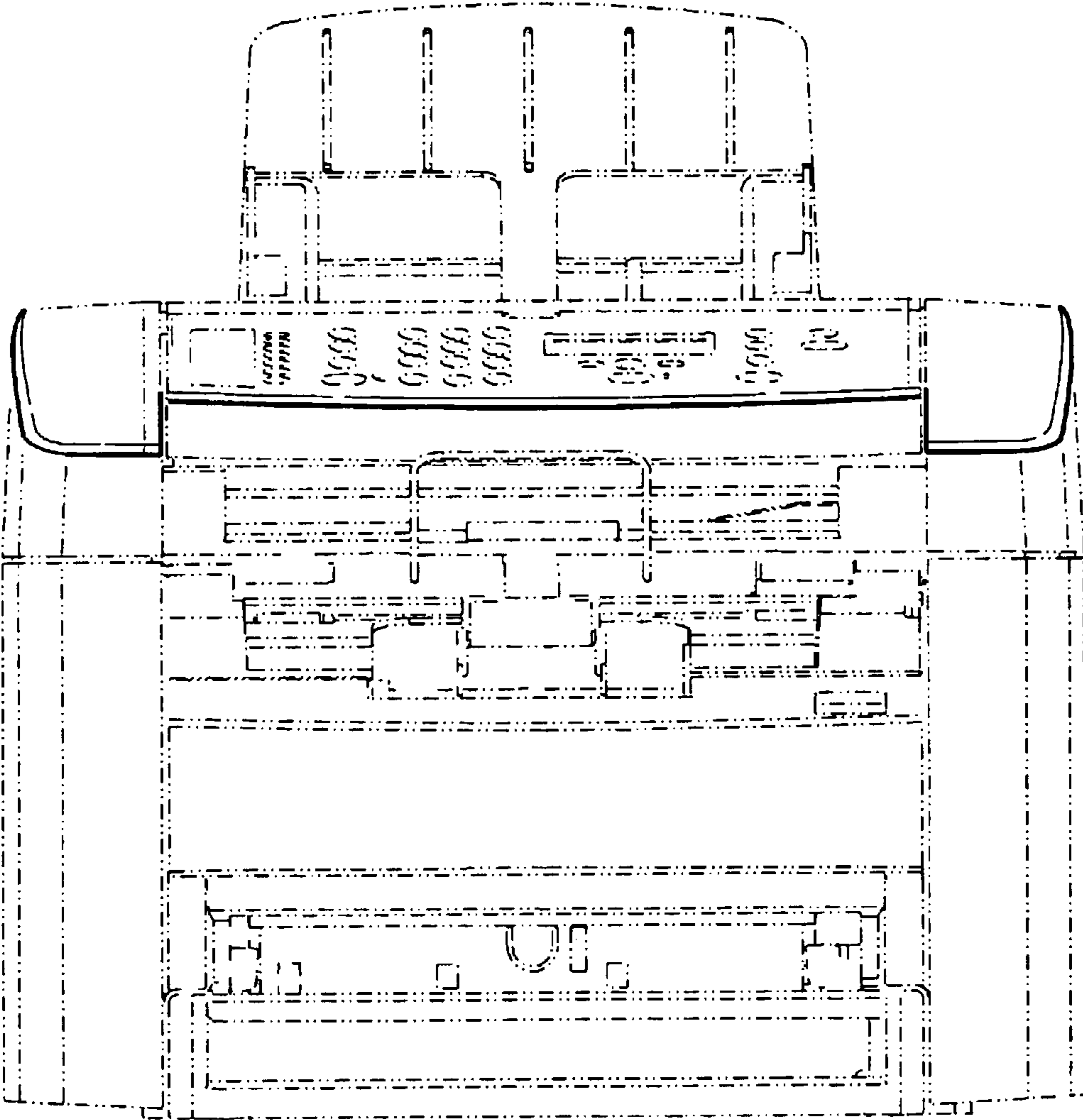


FIG. 3

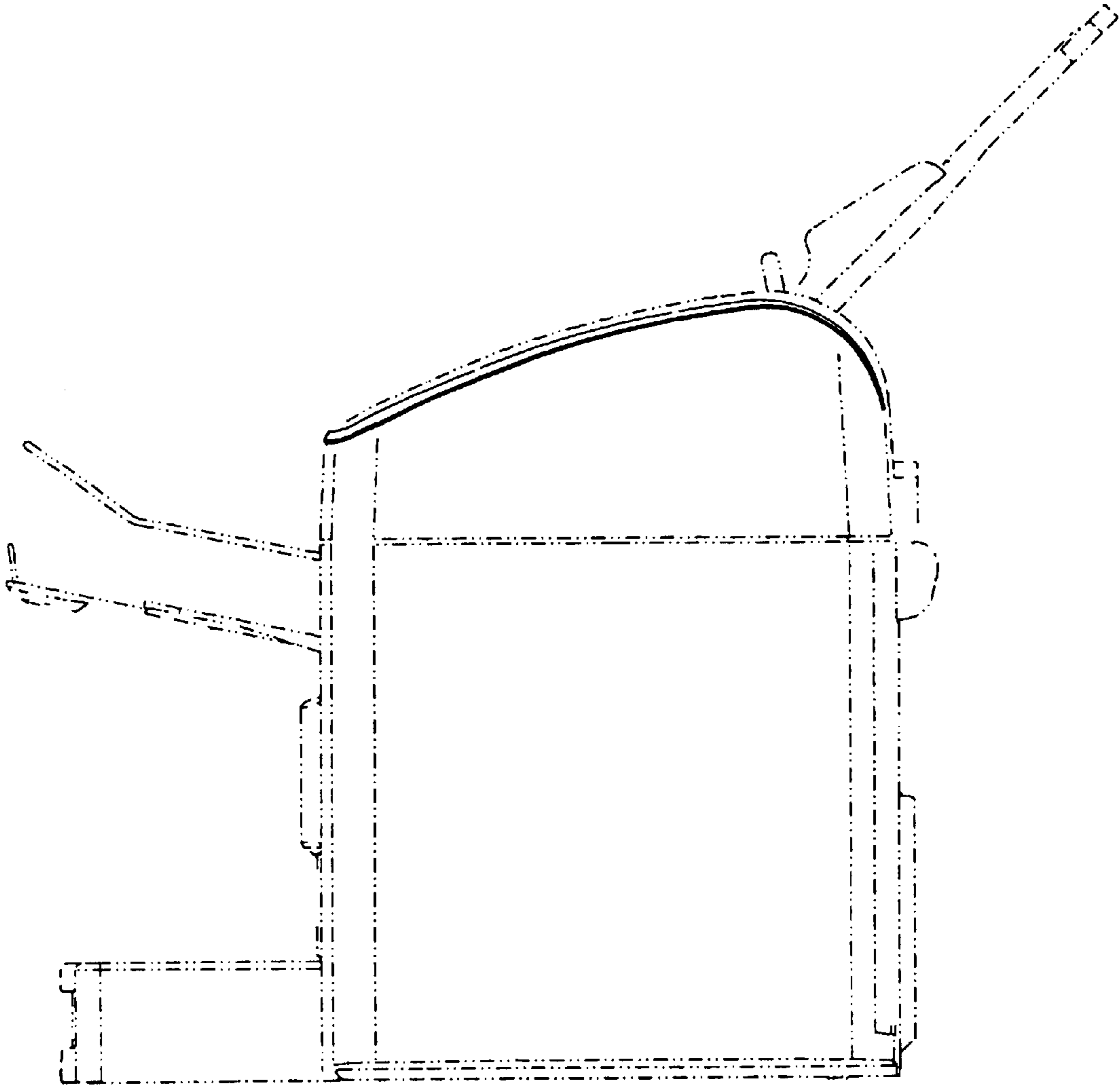


FIG. 4

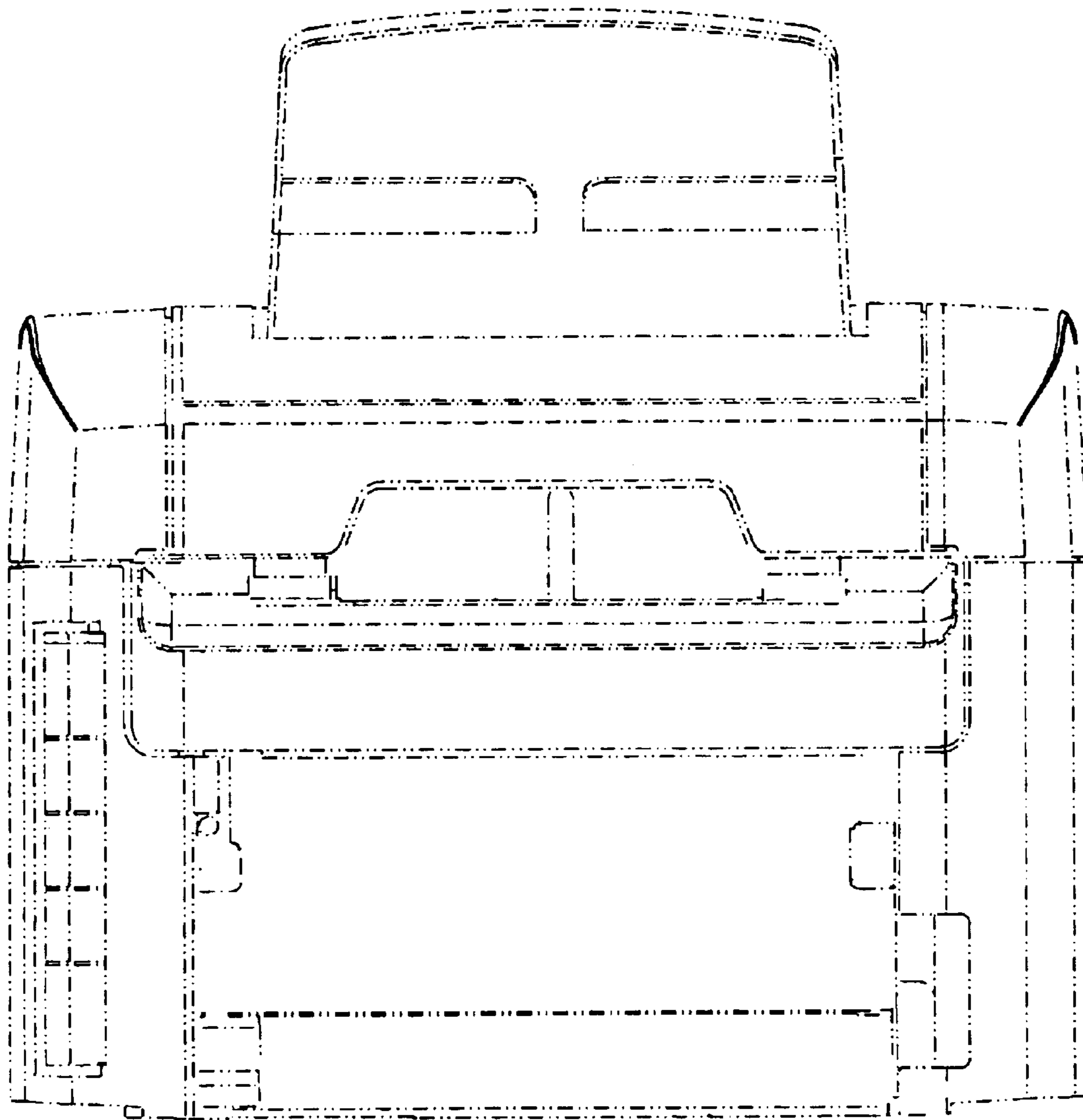


FIG. 5