

US00D524363S

(12) **United States Design Patent**
Katayama

(10) **Patent No.:** **US D524,363 S**

(45) **Date of Patent:** **** Jul. 4, 2006**

(54) **PRINTER**

(75) Inventor: **Shigeharu Katayama**, Kakamigahara (JP)

(73) Assignee: **Brother Industries, Ltd.**, Nagoya (JP)

(**) Term: **14 Years**

(21) Appl. No.: **29/215,873**

(22) Filed: **Oct. 27, 2004**

(30) **Foreign Application Priority Data**

Apr. 28, 2004 (JP) 2004-013057

(51) **LOC (8) Cl.** **18-02**

(52) **U.S. Cl.** **D18/54**

(58) **Field of Classification Search** D18/19,
D18/36-41, 50, 53, 54, 54.1, 55; D14/420-425,
D14/462-470; 400/613, 613.1-613.4, 690.1-690.4,
400/691-694; D13/162

See application file for complete search history.

(56) **References Cited**

U.S. PATENT DOCUMENTS

D358,837 S * 5/1995 De Iulius D18/55

D386,519 S * 11/1997 Meschter et al. D18/55
D402,698 S * 12/1998 Falk et al. D18/55
D405,109 S * 2/1999 Kenmochi et al. D18/54
D412,341 S * 7/1999 Miyazawa D18/55
D416,544 S * 11/1999 Jordan D13/162
D450,756 S * 11/2001 Fetherolf et al. D18/55
D466,924 S * 12/2002 Wong et al. D18/55
6,612,763 B1 * 9/2003 Yoshihara 400/692

* cited by examiner

Primary Examiner—Louis S. Zarfes

Assistant Examiner—Anhdao Doan

(74) *Attorney, Agent, or Firm*—Oliff & Berridge, PLC

(57) **CLAIM**

The ornamental design for a printer, as shown and described.

DESCRIPTION

FIG. 1 is a perspective view of a printer;

FIG. 2 is a front view thereof;

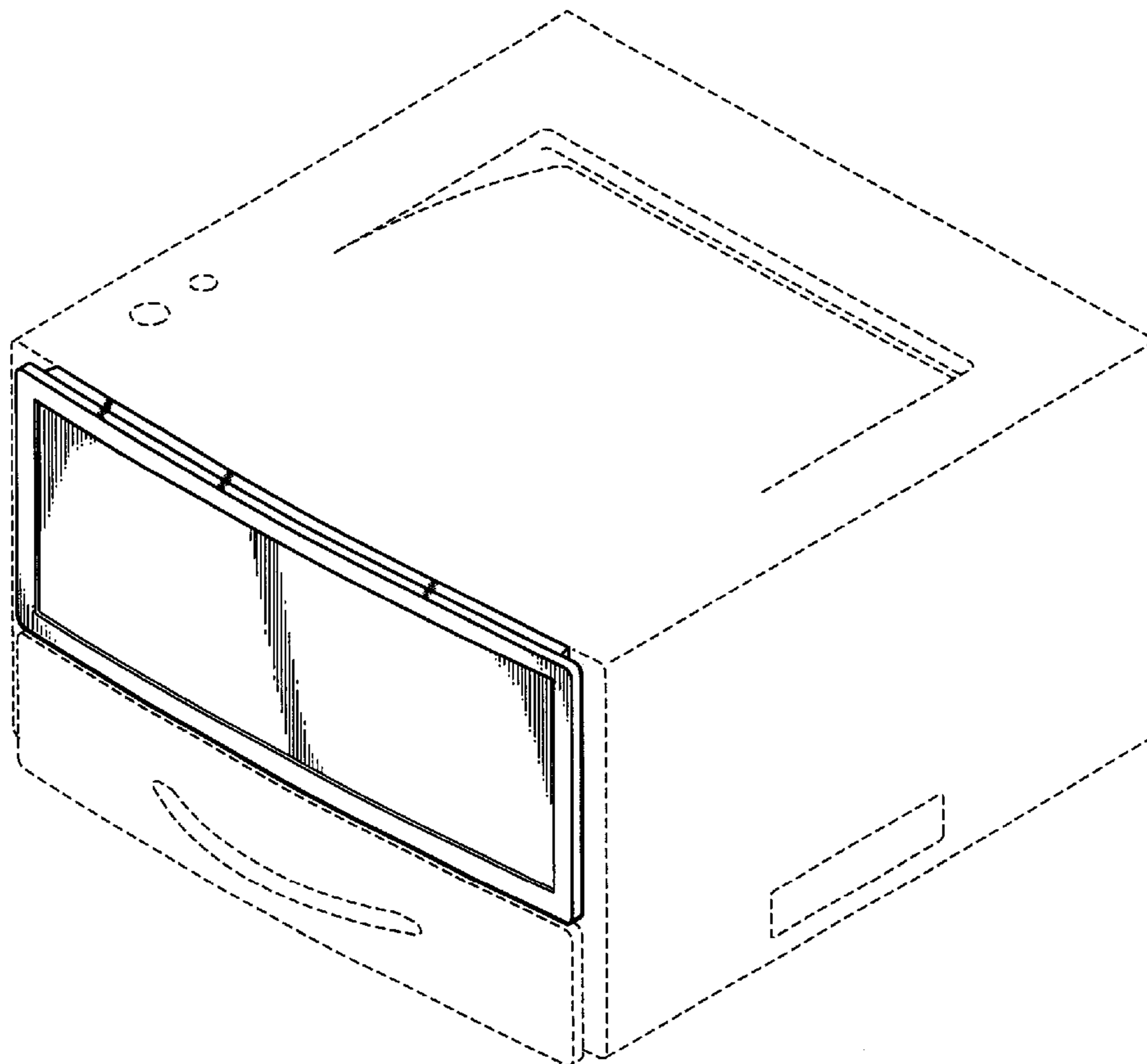
FIG. 3 is a top view thereof;

FIG. 4 is a right-side view; and,

FIG. 5 is a left-side view.

The broken line disclosure is for illustrative purposes only and forms no part of the claimed design.

1 Claim, 3 Drawing Sheets



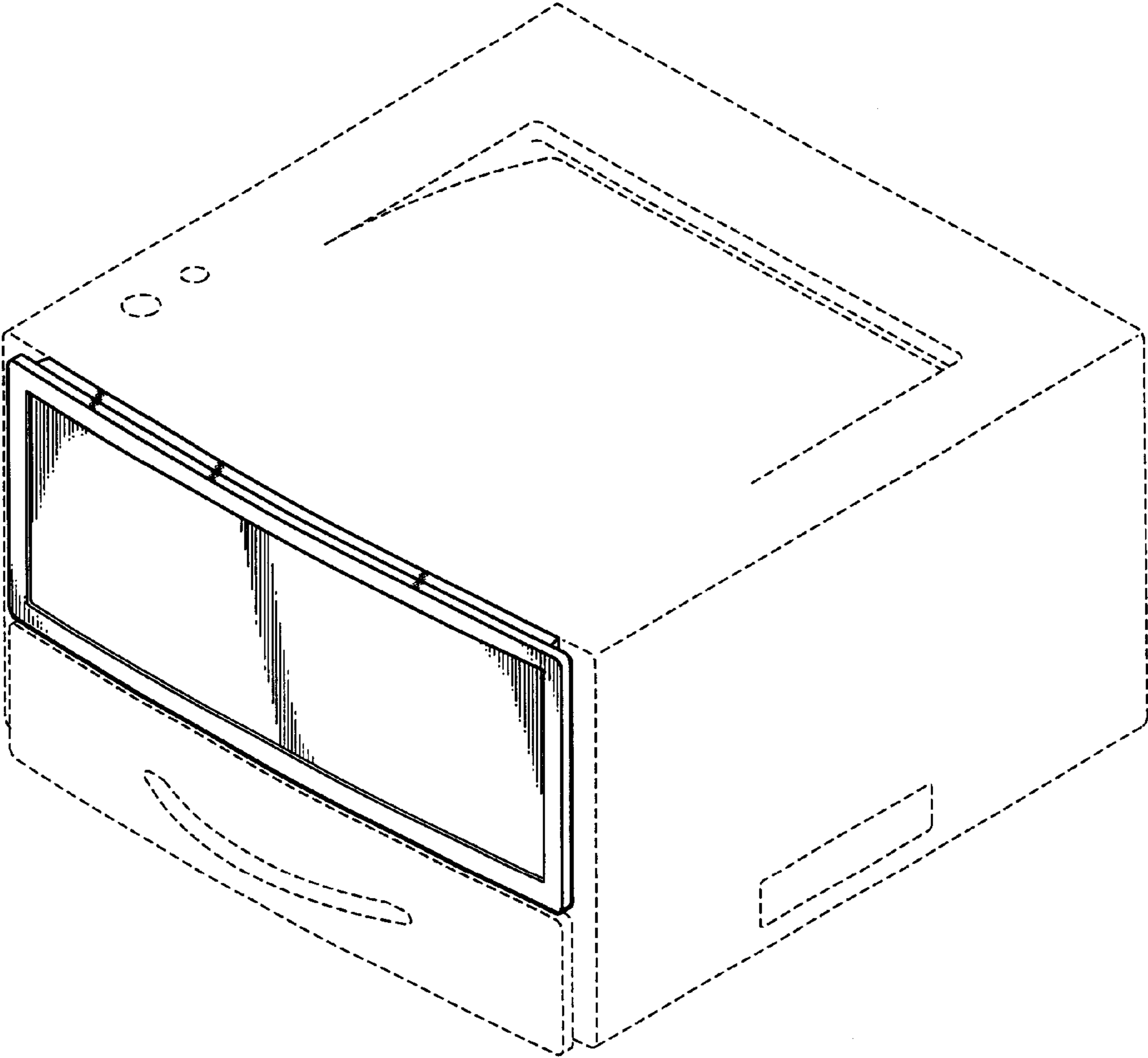


FIG. 1

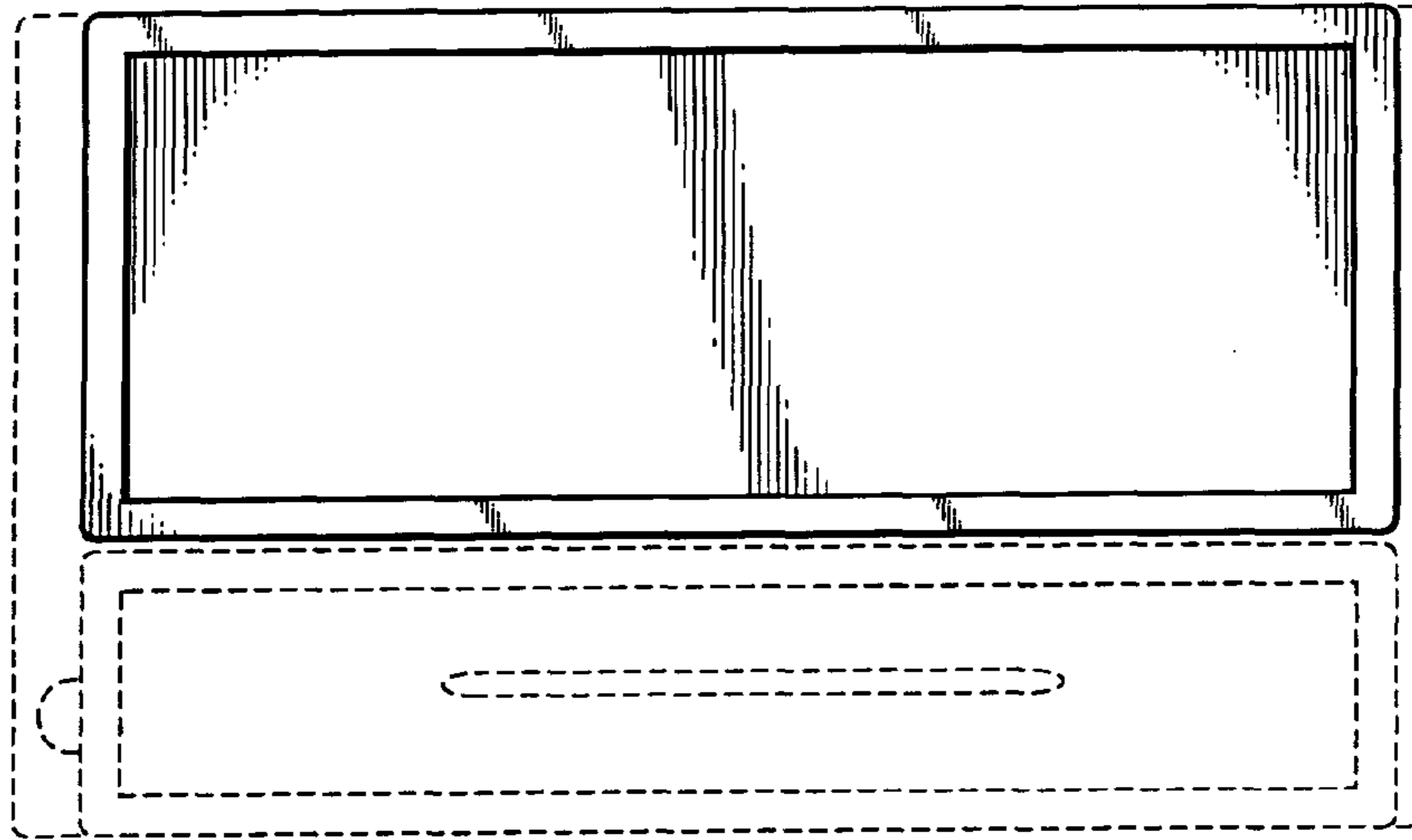


FIG. 2

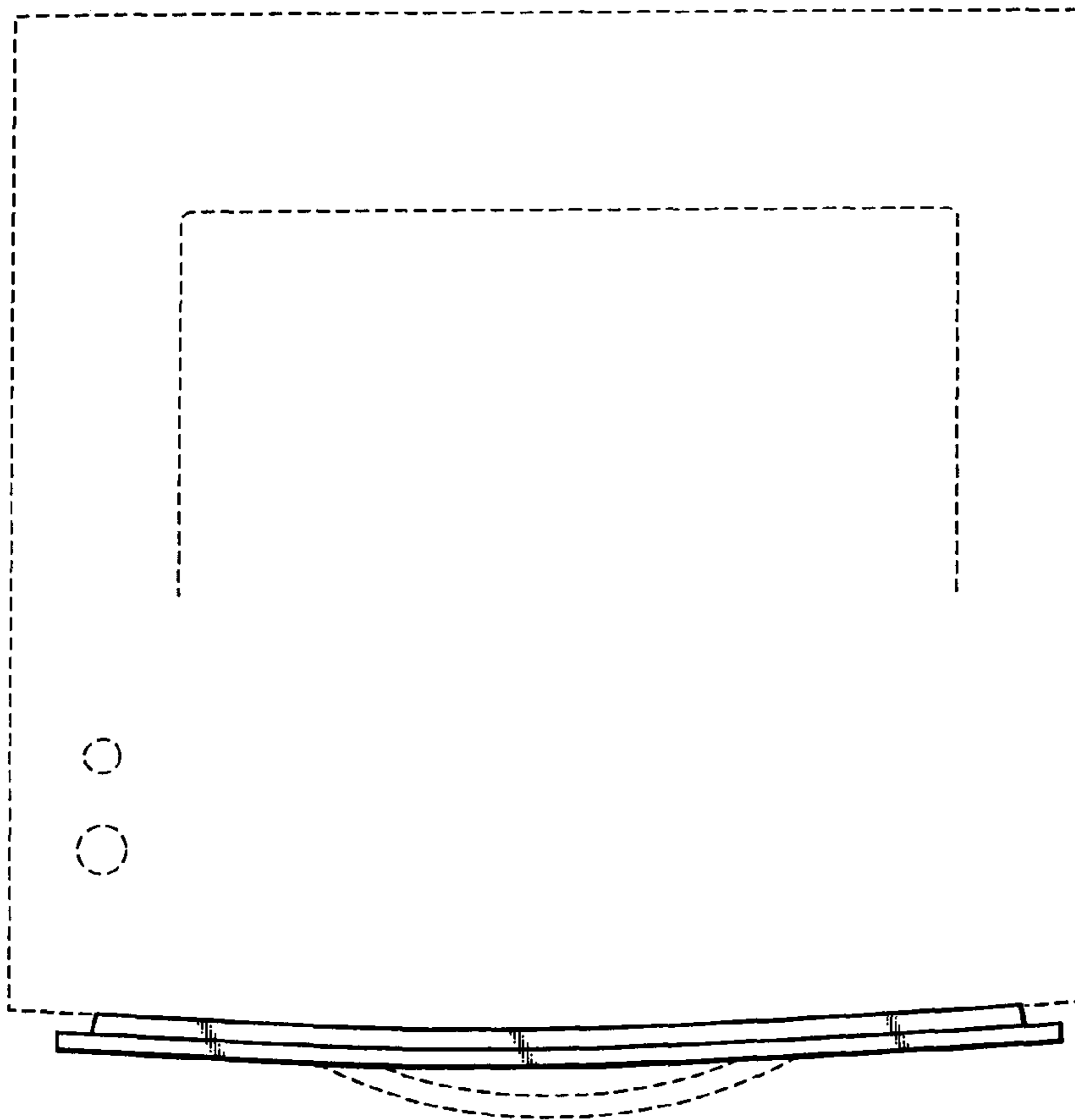


FIG. 3

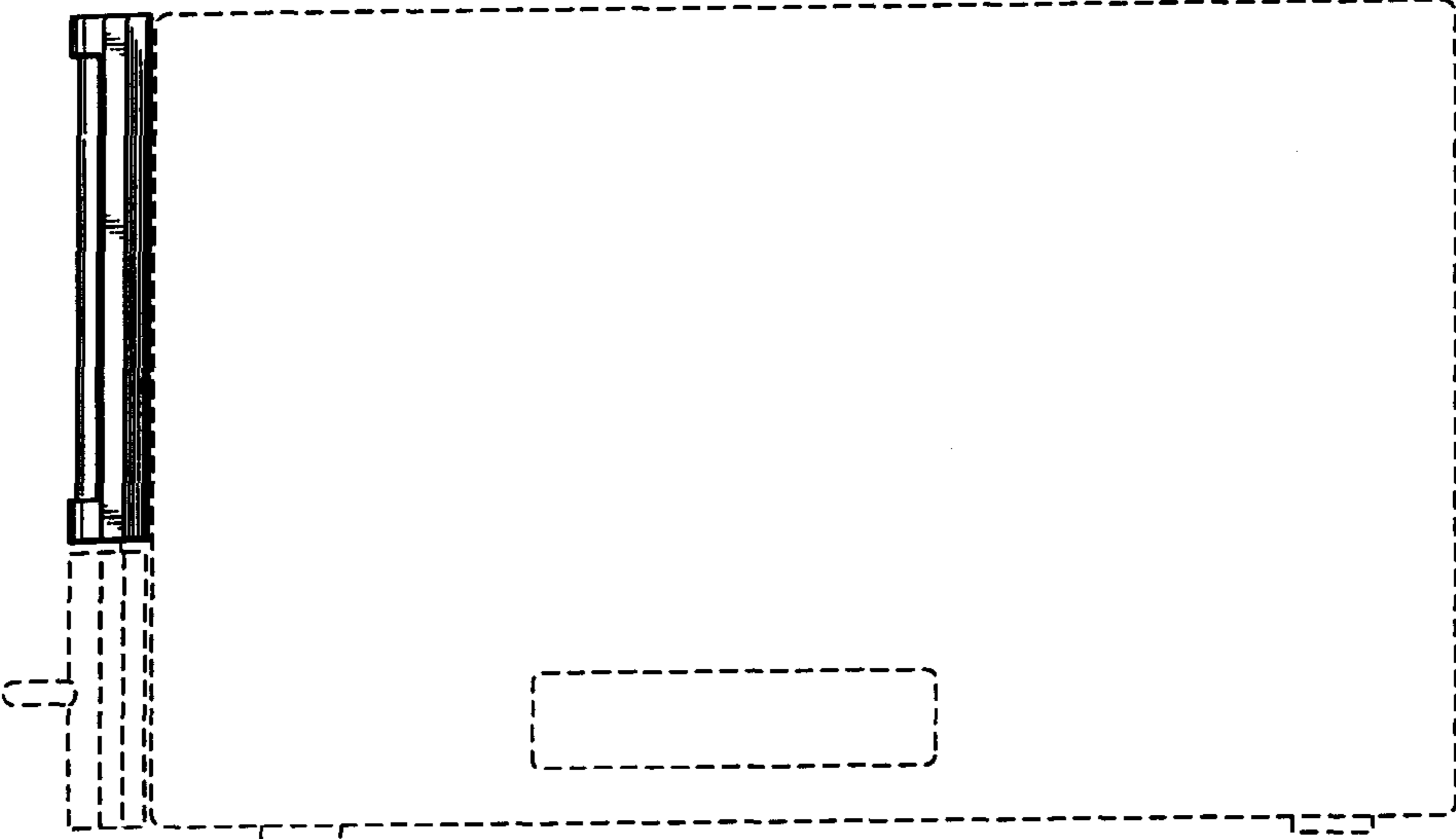


FIG. 4

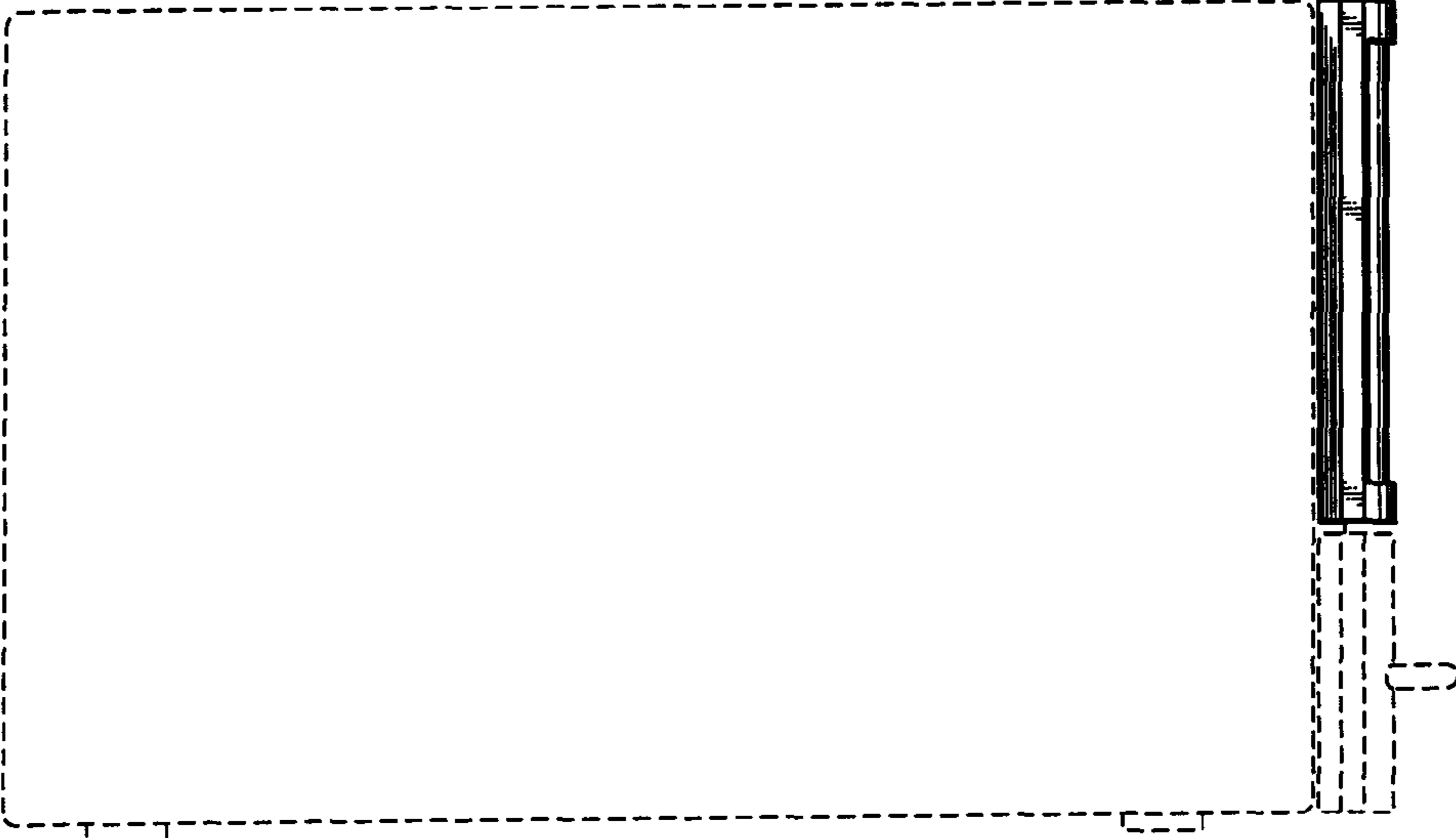


FIG. 5