

US00D524362S

(12) **United States Design Patent**
Kelsay et al.

(10) **Patent No.:** **US D524,362 S**

(45) **Date of Patent:** **** Jul. 4, 2006**

(54) **PRINTER**

(75) Inventors: **Curtis G. Kelsay**, Boise, ID (US);
David B. Larson, Eagle, ID (US)

(73) Assignee: **Hewlett-Packard Development Company, L.P.**, Houston, TX (US)

(**) Term: **14 Years**

(21) Appl. No.: **29/201,483**

(22) Filed: **Mar. 16, 2004**

(51) **LOC (8) Cl.** **18-02**

(52) **U.S. Cl.** **D18/54**

(58) **Field of Classification Search** D18/19,
D18/35-41, 50, 53, 54, 54.1, 55; D14/420-425,
D14/462-470; 400/613, 613.1-613.4, 690.1-690.4,
400/691-694

See application file for complete search history.

(56) **References Cited**

U.S. PATENT DOCUMENTS

D377,370 S	1/1997	Escobedo et al.
D395,332 S	6/1998	Leong et al.
D398,632 S	9/1998	Dodge et al.
D409,584 S	5/1999	Fetherolf
D420,998 S	2/2000	Leong et al.
D421,042 S	2/2000	Short et al.
D422,301 S	4/2000	Short et al.
D434,066 S	11/2000	Short et al.
D434,434 S	11/2000	Short et al.
D441,784 S	5/2001	Leong et al.

D442,989 S	5/2001	Leong et al.	
D456,834 S	* 5/2002	Fetherolf et al.	D18/55
D462,971 S	9/2002	Leong et al.	
D466,149 S	* 11/2002	Takeuchi	D18/36
D467,250 S	* 12/2002	Takeuchi	D14/469
D473,894 S	4/2003	Leong et al.	
D476,029 S	6/2003	Lee et al.	
D502,732 S	* 7/2003	Ishigami	D18/50
D483,059 S	12/2003	Goh et al.	
D501,874 S	* 2/2005	Ishigami	D18/50
D502,212 S	* 2/2005	Ishigami	D18/50
D502,500 S	* 3/2005	Hoshiya et al.	D18/50

* cited by examiner

Primary Examiner—Louis S. Zarfes

Assistant Examiner—Anhdao Doan

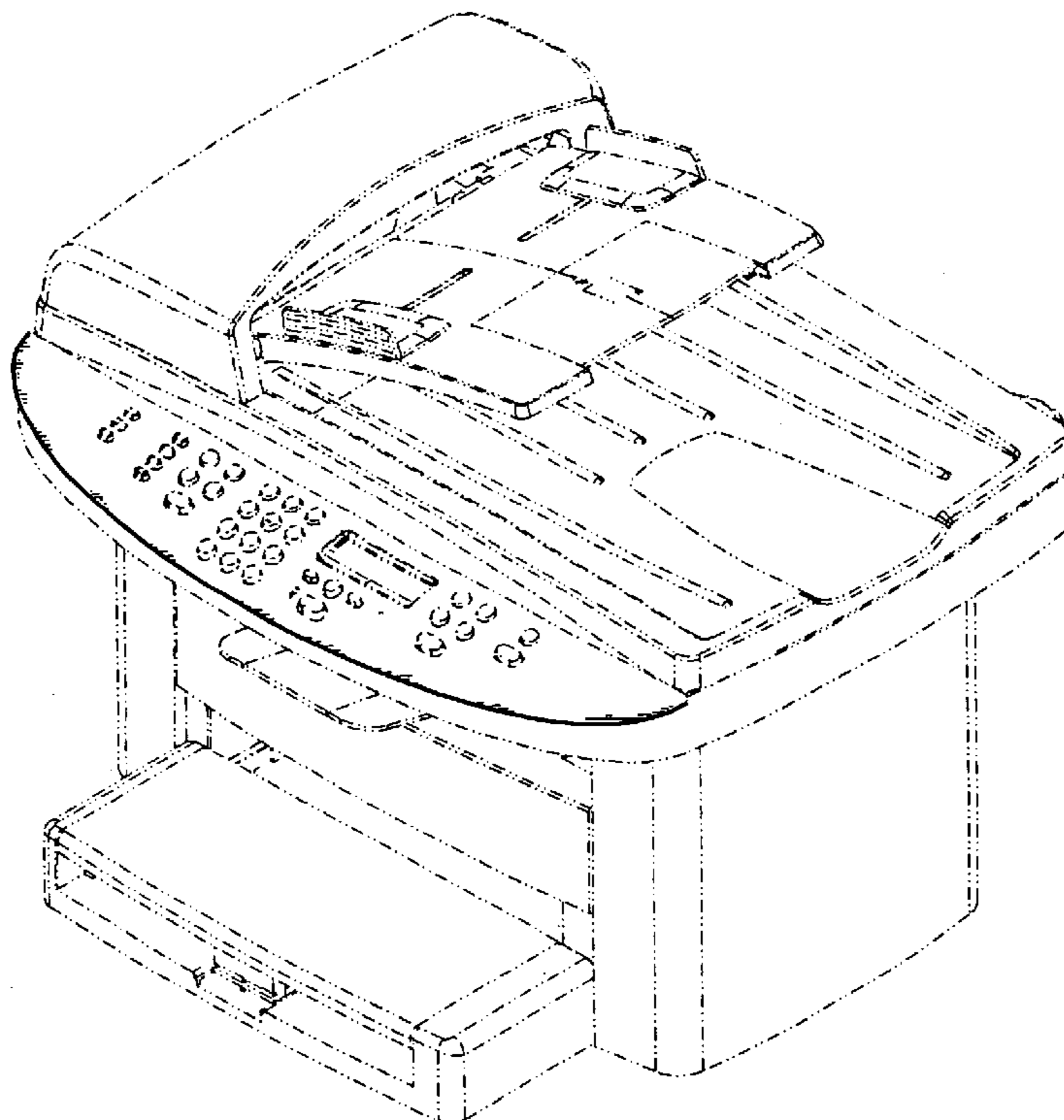
(57) **CLAIM**

We claim the ornamental design for a printer, as shown and described.

DESCRIPTION

FIG. 1 is a top perspective view of a printer;
FIG. 2 is a top plan view thereof;
FIG. 3 is a front elevational view thereof;
FIG. 4 is a right end elevational view thereof;
FIG. 5 is a left end elevational view thereof;
FIG. 6 is a rear elevational view thereof; and,
FIG. 7 is a bottom plan view thereof.
The broken lines in the drawings are for illustrative purposes only and form no part of the claimed design.

1 Claim, 7 Drawing Sheets



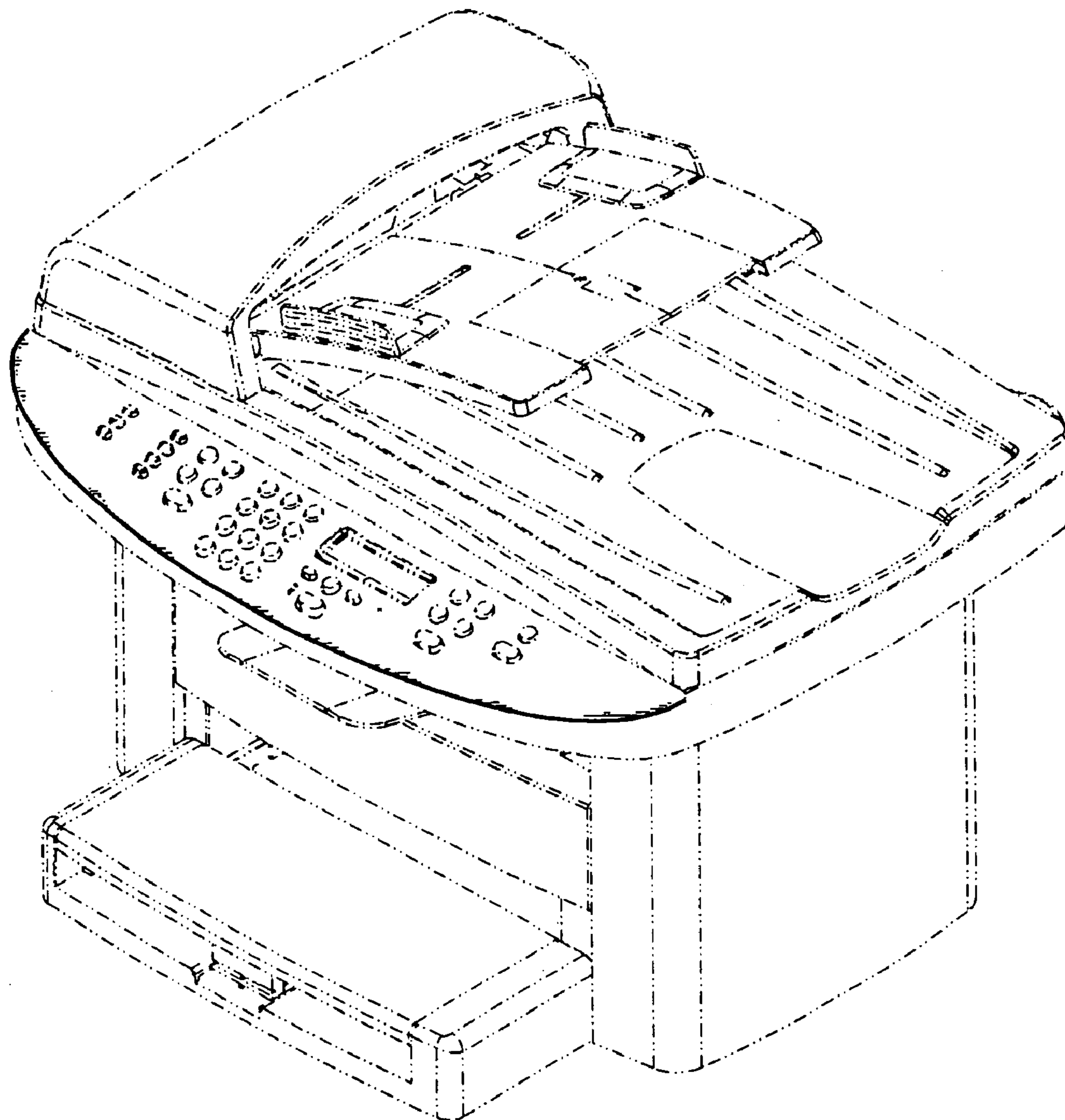


FIG. 1

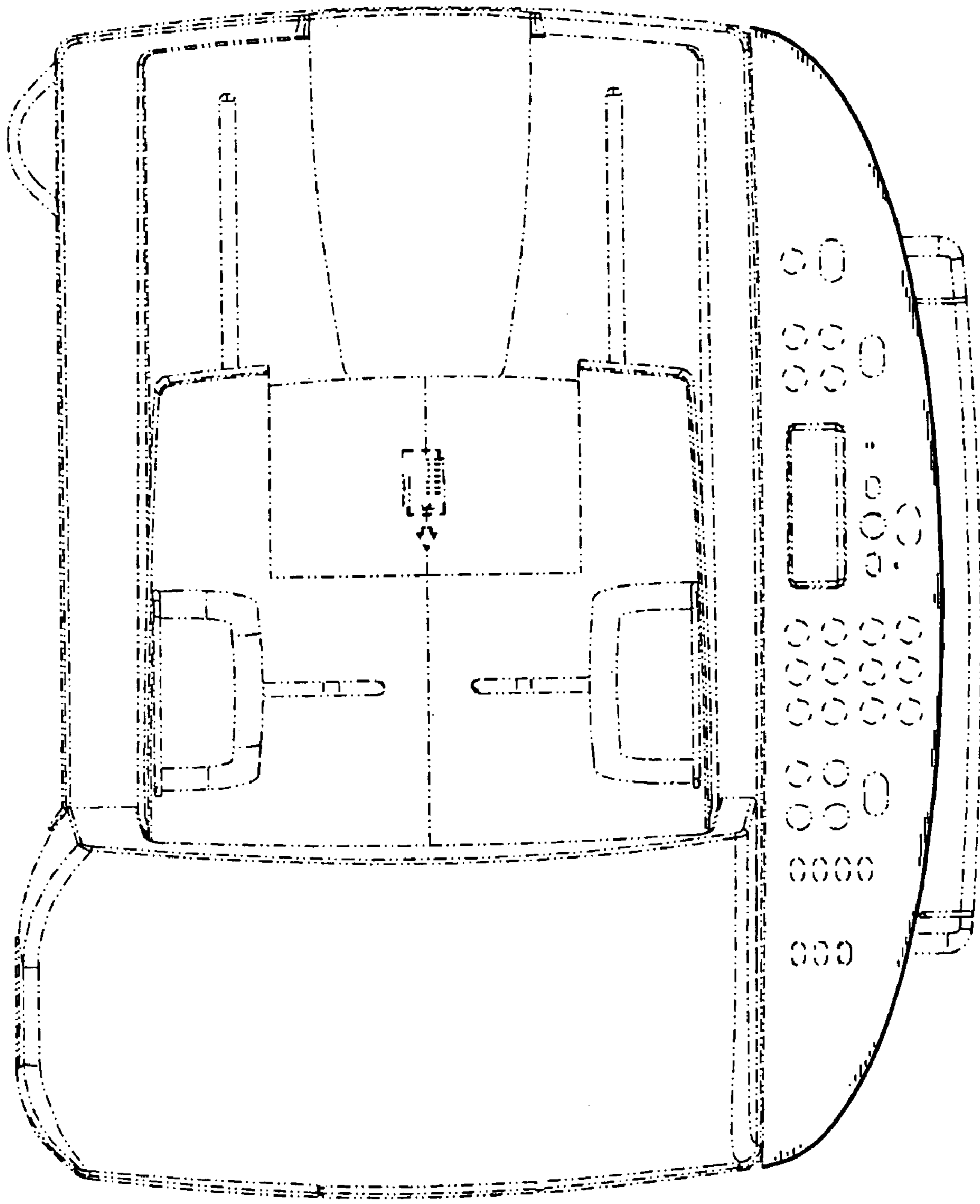


FIG. 2

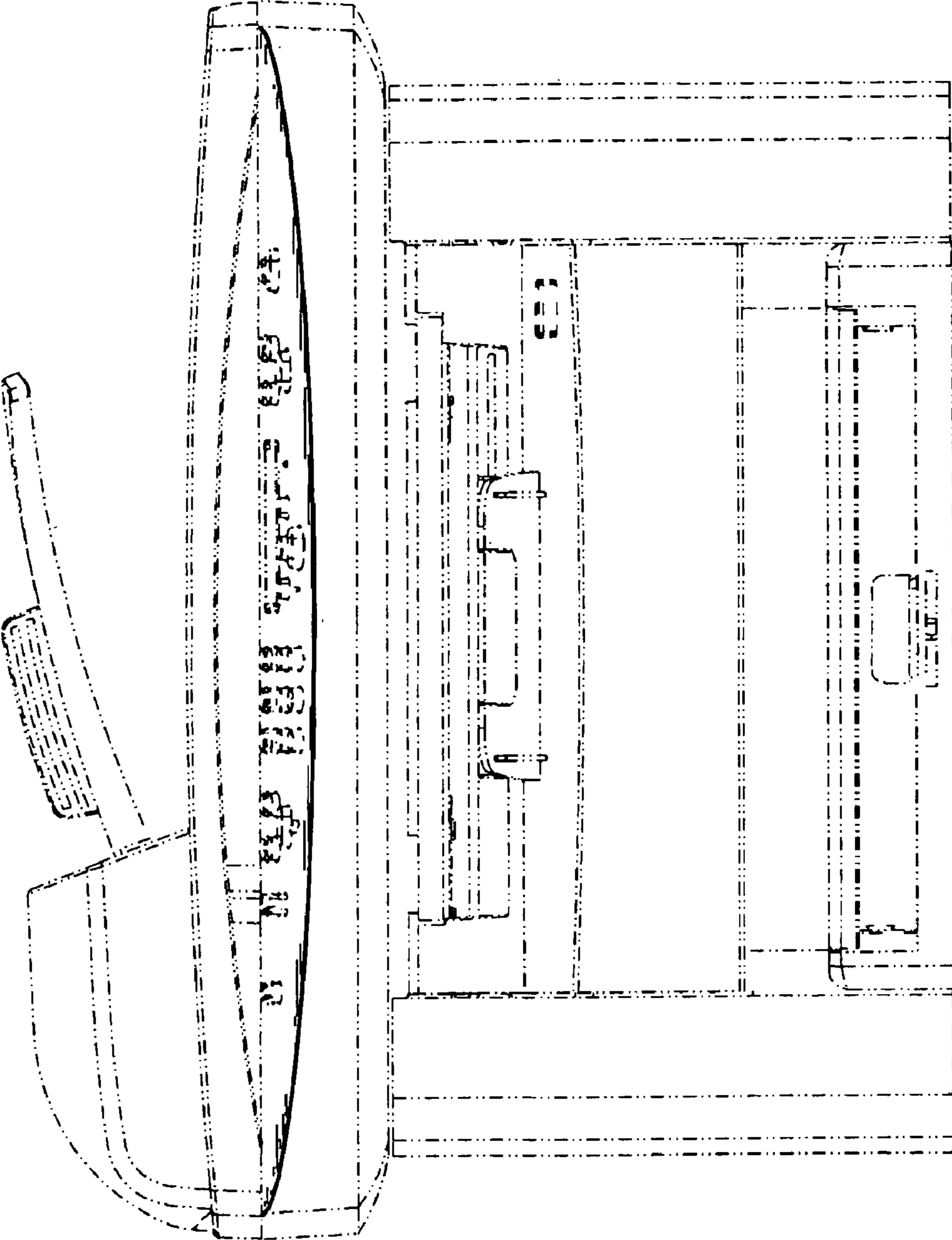


FIG. 3

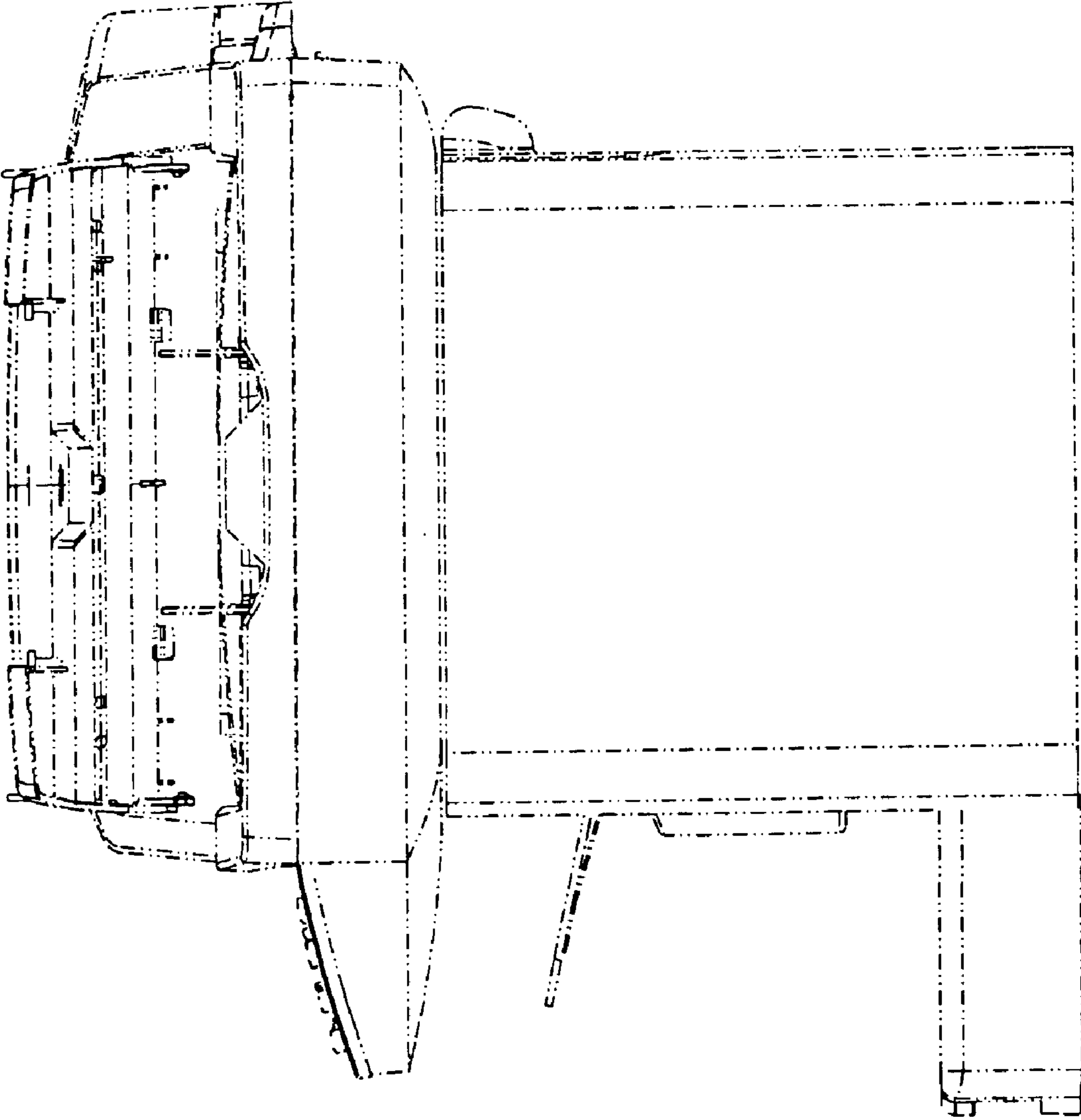
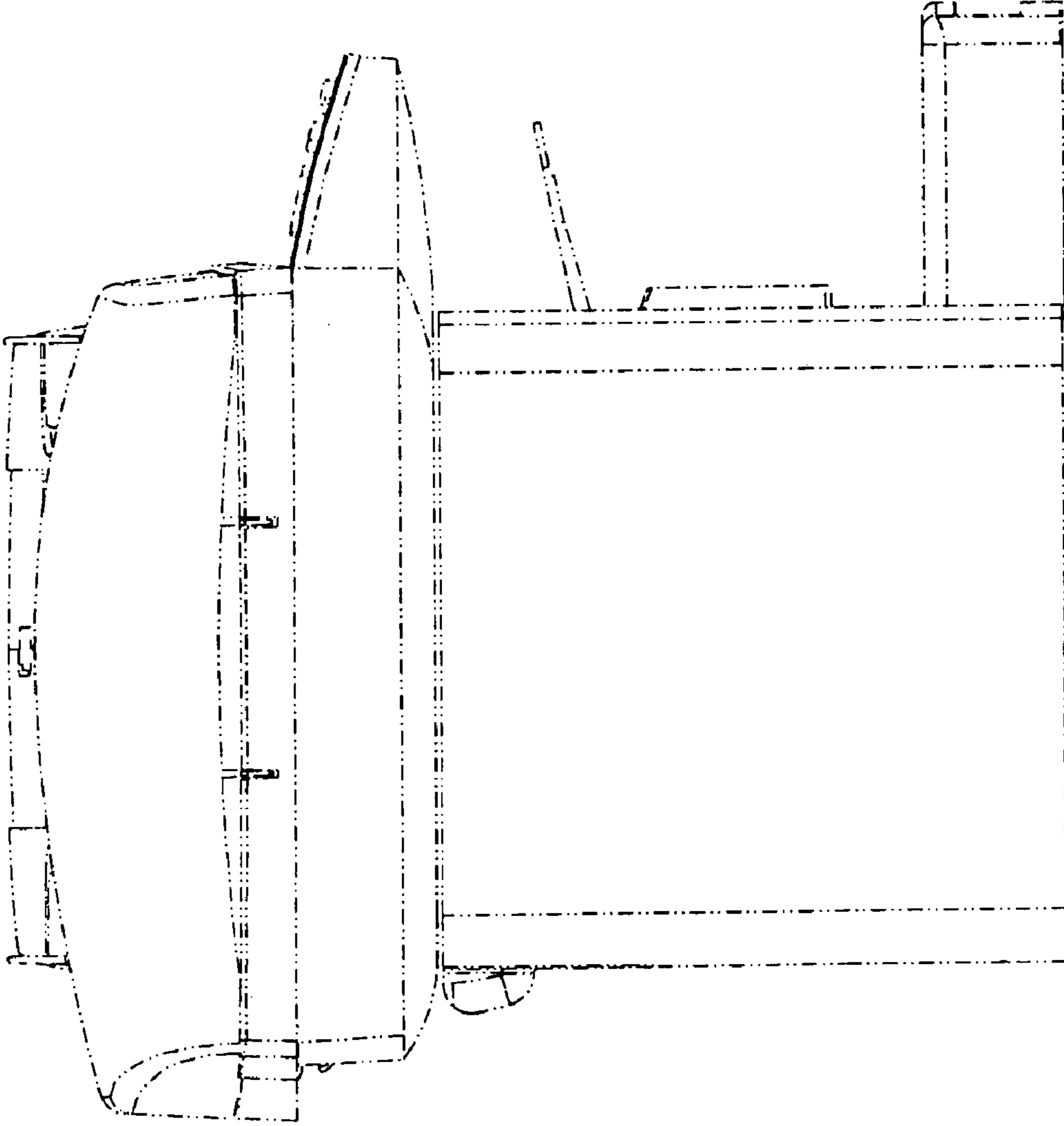


FIG. 4

FIG. 5



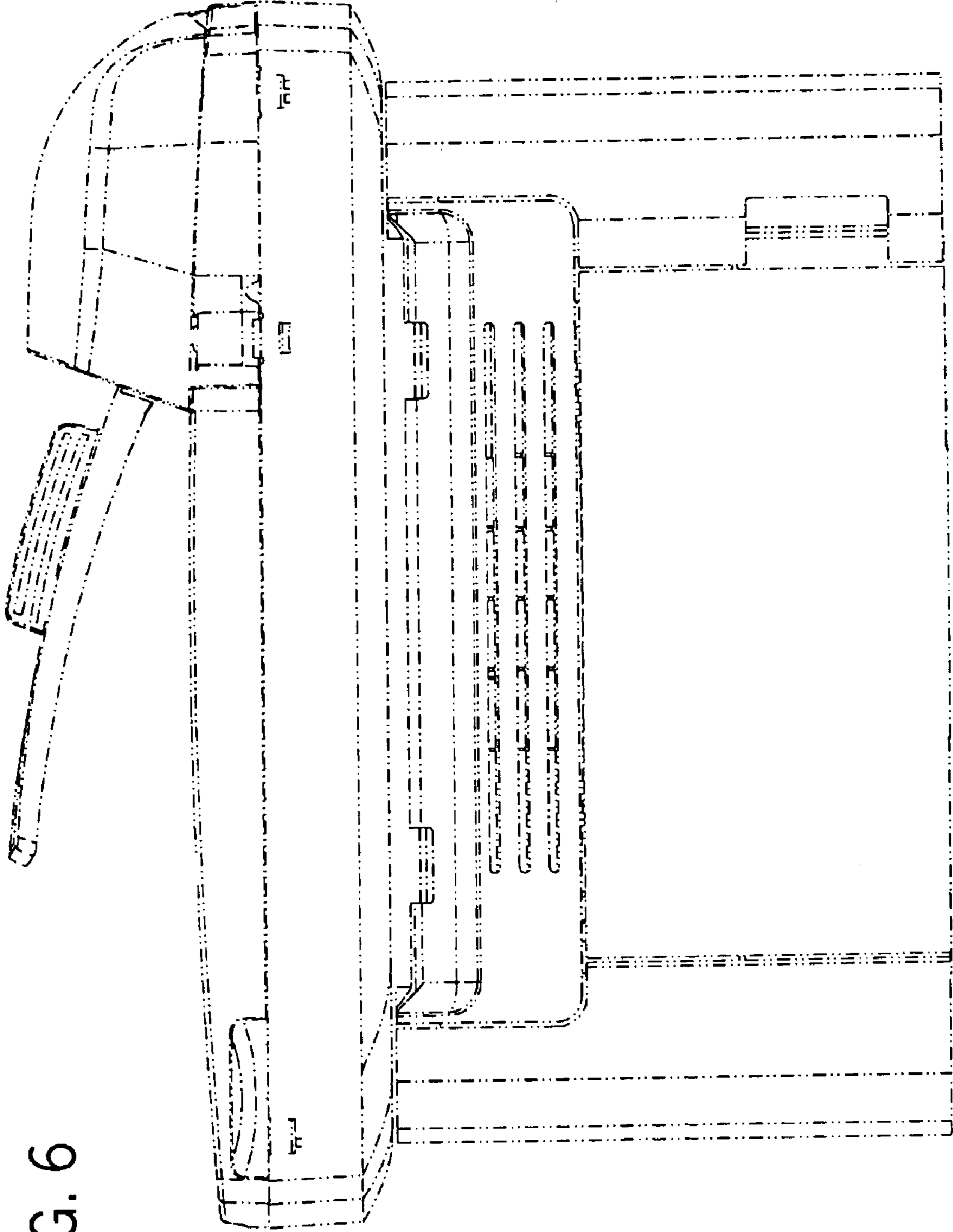


FIG. 6

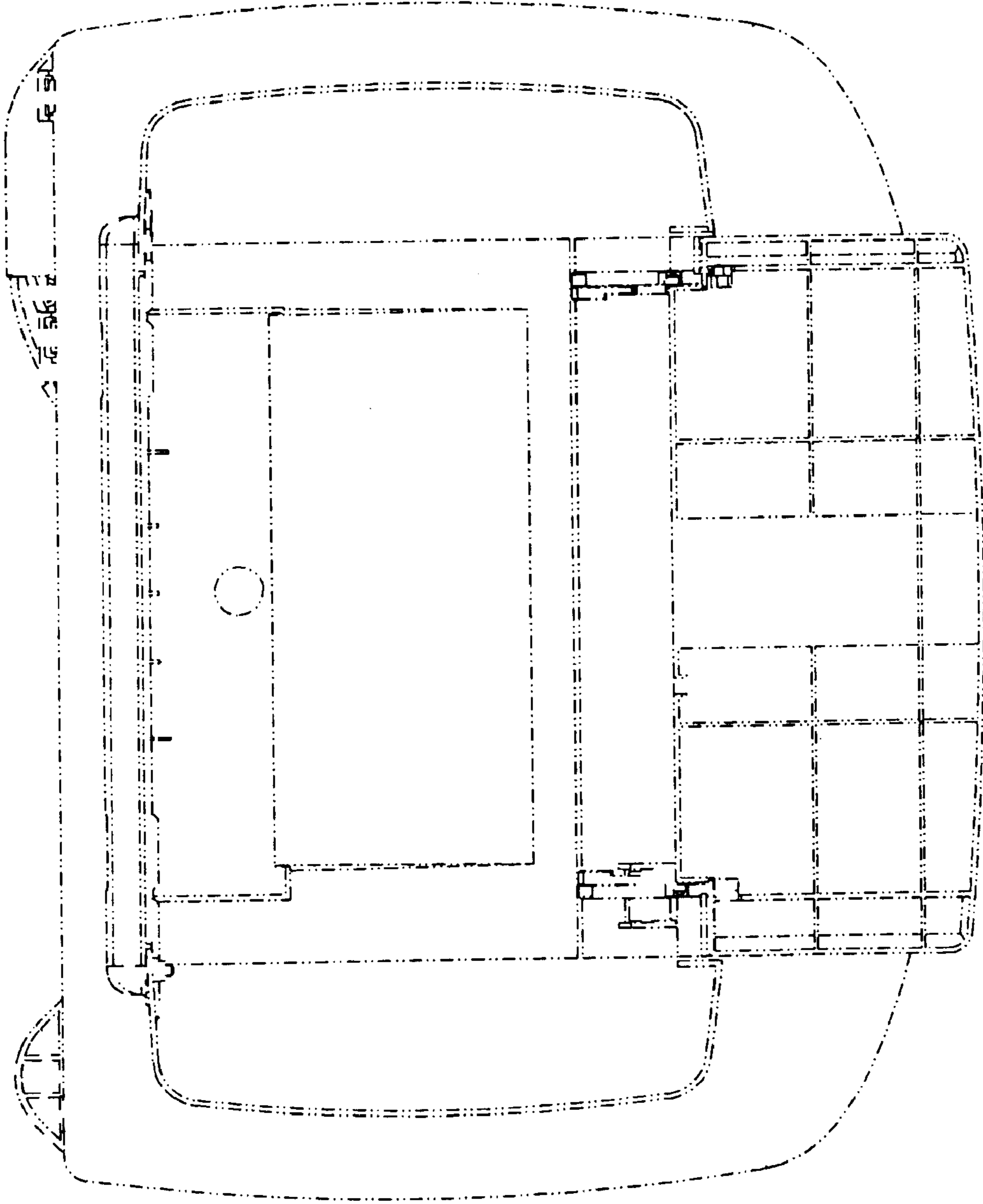


FIG. 7