



US00D524359S

(12) **United States Design Patent**  
**Karakama et al.**

(10) **Patent No.:** **US D524,359 S**  
(45) **Date of Patent:** **\*\* Jul. 4, 2006**

(54) **IMAGE FORMING APPARATUS**  
(75) Inventors: **Toshiyuki Karakama**, Susono (JP);  
**Noriyuki Komatsu**, Numazu (JP)  
(73) Assignee: **Canon Kabushiki Kaisha**, Tokyo (JP)  
(\*\*) Term: **14 Years**

D492,958 S \* 7/2004 Karakama et al. .... D18/40  
D500,335 S \* 12/2004 Karakama et al. .... D18/40  
D500,515 S \* 1/2005 Karakama et al. .... D18/40  
2004/0234293 A1 \* 11/2004 Karakama et al. .... 399/111

**FOREIGN PATENT DOCUMENTS**

JP 1166767 1/2003  
JP 2003-024364 6/2004

\* cited by examiner

*Primary Examiner*—Caron D. Veynar

(74) *Attorney, Agent, or Firm*—Fitzpatrick, Cella, Harper & Scinto

(21) Appl. No.: **29/199,546**  
(22) Filed: **Feb. 18, 2004**  
(30) **Foreign Application Priority Data**

Aug. 25, 2003 (JP) ..... 2003-024364

(51) **LOC (8) Cl.** ..... **16-03**  
(52) **U.S. Cl.** ..... **D18/40**  
(58) **Field of Classification Search** ..... D18/40,  
D18/43, 56; 222/DIG. 1; 399/16, 23-31,  
399/75, 81, 109-125, 151, 222, 252-262,  
399/310, 361, 377, 378, 392, 393  
See application file for complete search history.

(57) **CLAIM**

The ornamental design for an image forming apparatus, as shown and described.

**DESCRIPTION**

FIG. 1 is a front view of an image forming apparatus showing our new design;  
FIG. 2 is a rear view thereof;  
FIG. 3 is a top plan view thereof;  
FIG. 4 is a bottom plan view thereof;  
FIG. 5 is a left side view thereof;  
FIG. 6 is a right side view thereof; and,  
FIG. 7 is a perspective view thereof.

(56) **References Cited**

**U.S. PATENT DOCUMENTS**

D309,323 S \* 7/1990 Craft et al. .... D18/40  
D397,140 S \* 8/1998 Oshida ..... D18/40  
5,794,102 A \* 8/1998 Coffey et al. .... 399/114  
D478,615 S \* 8/2003 Karakama et al. .... D18/40

**1 Claim, 6 Drawing Sheets**

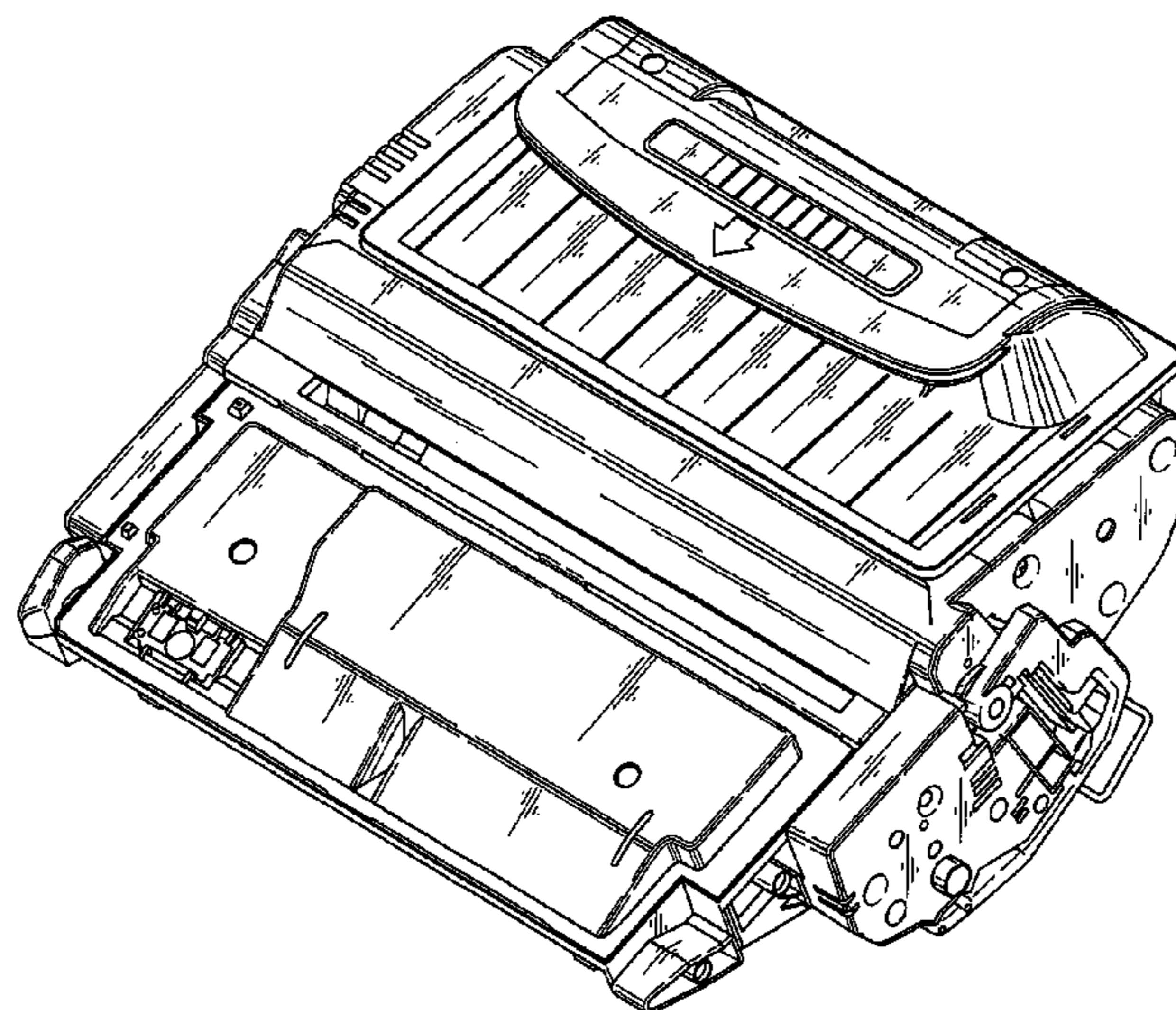
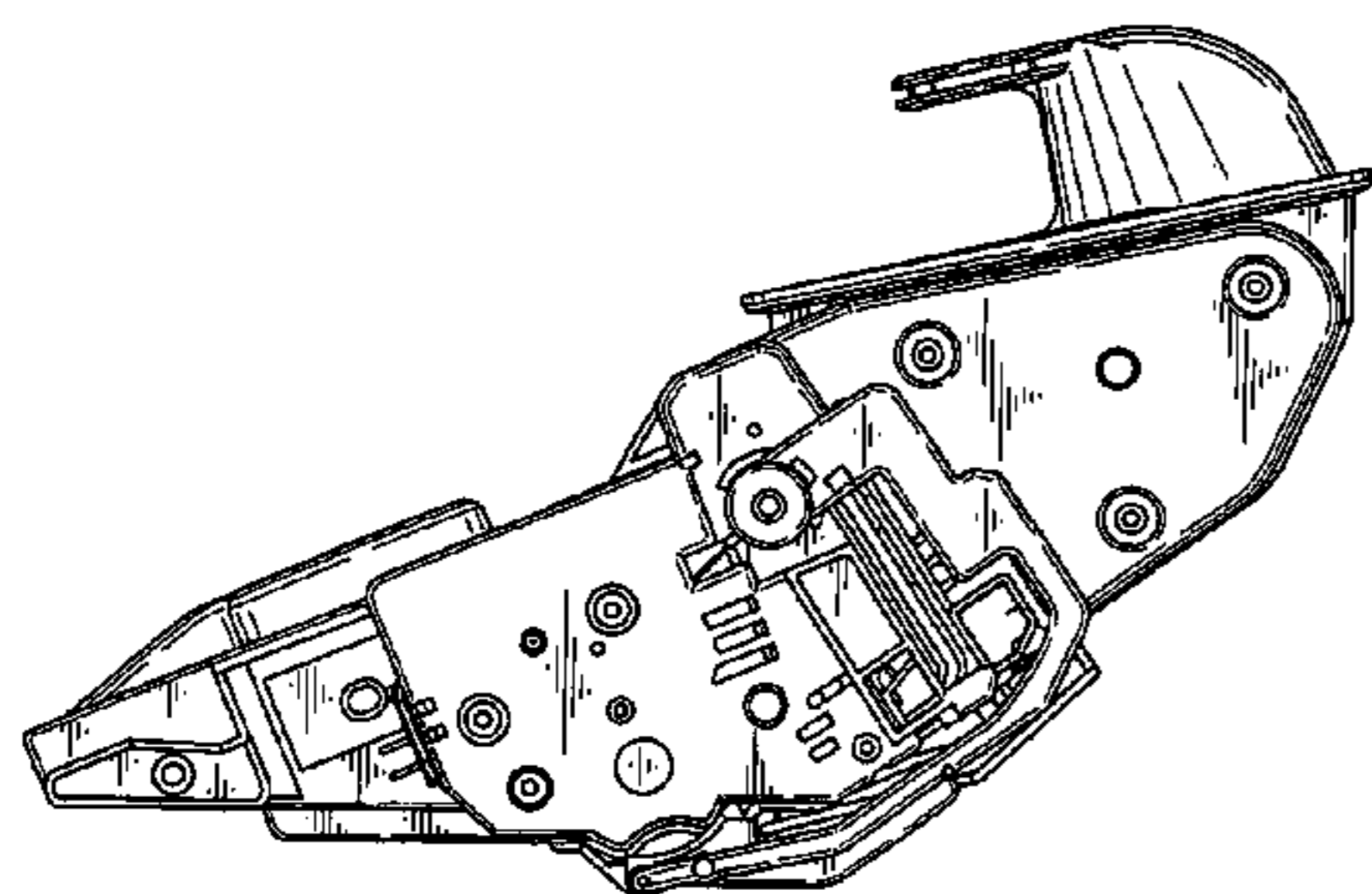


FIG. 1

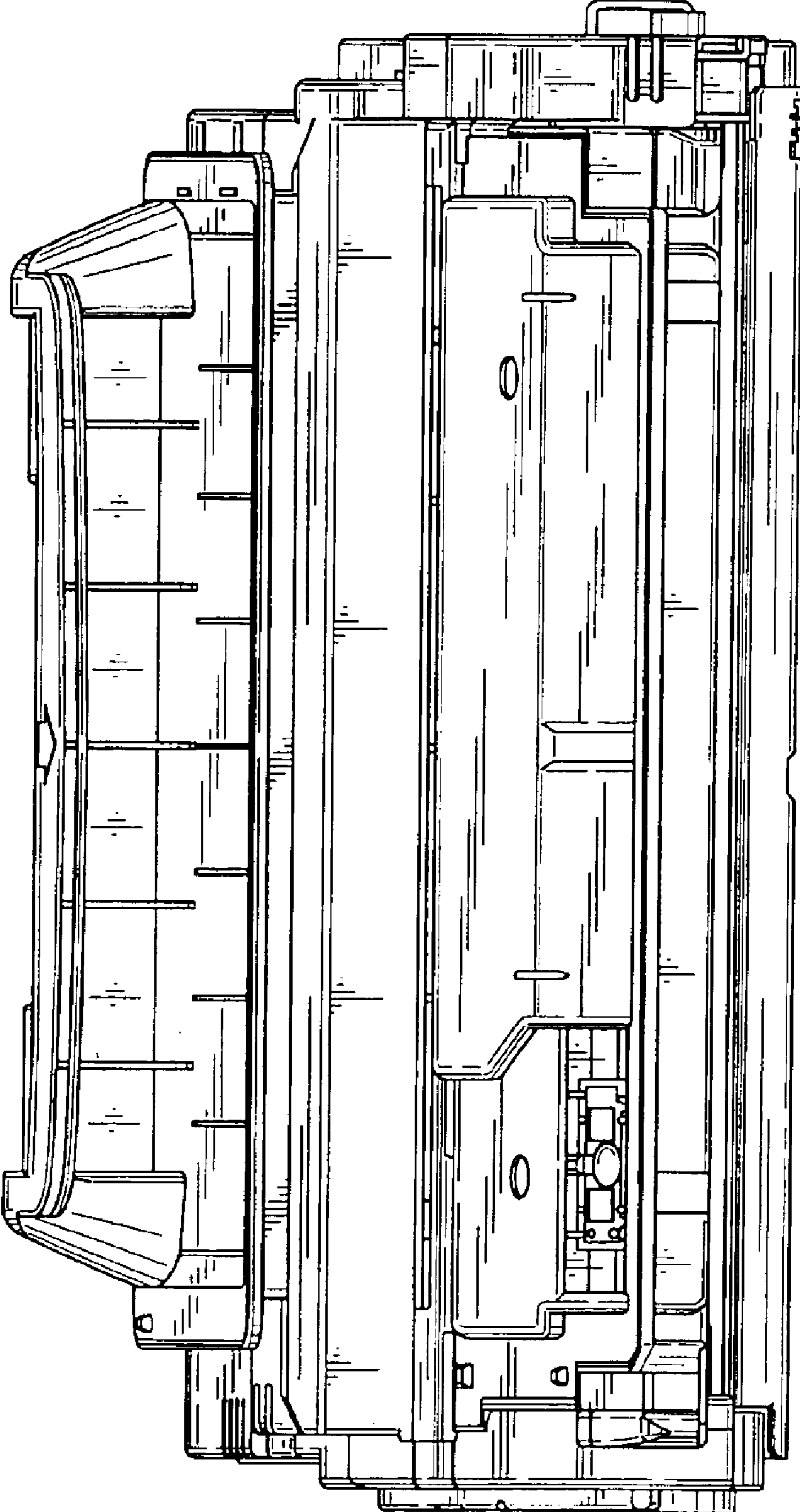


FIG. 2

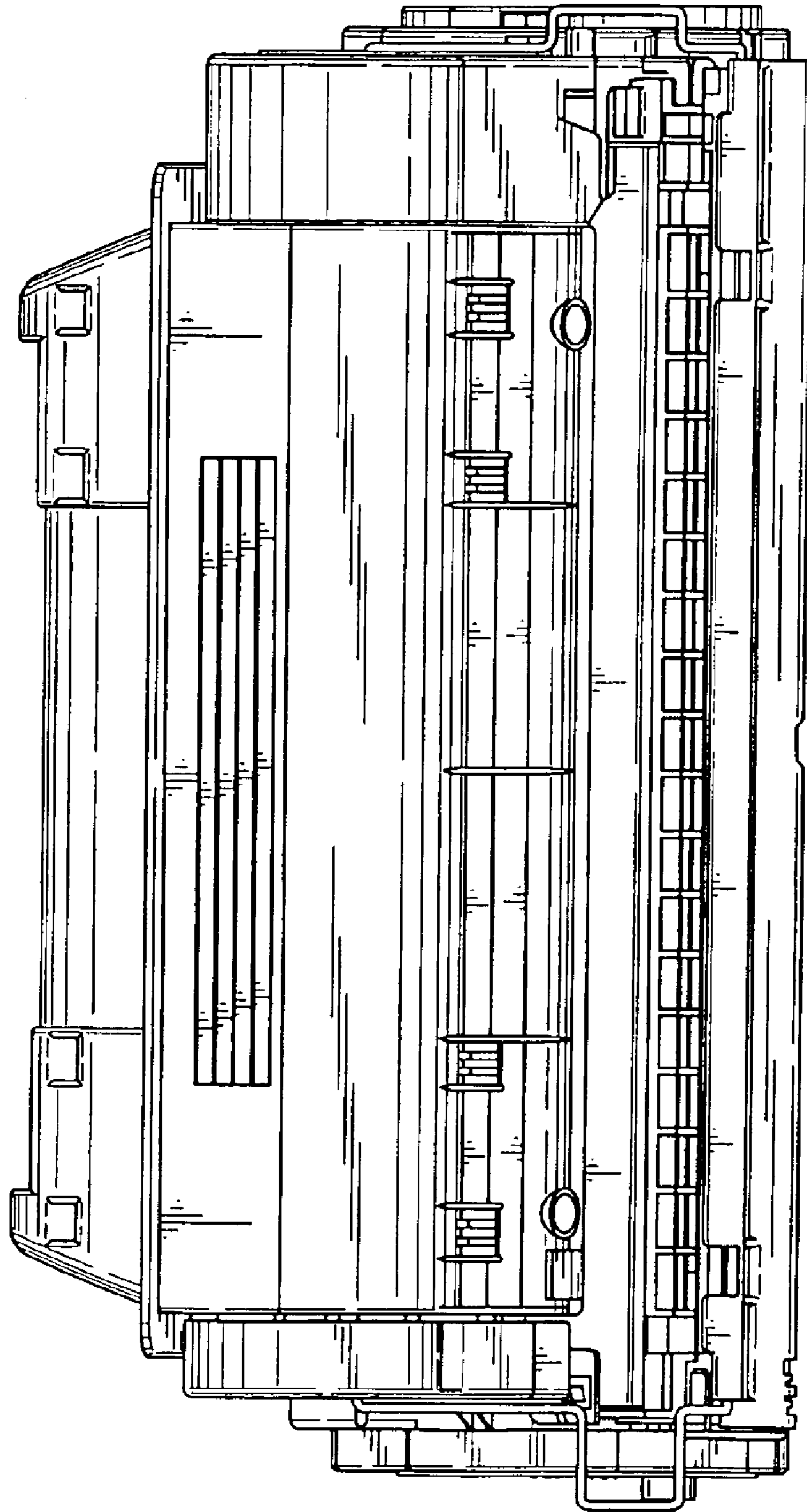


FIG. 3

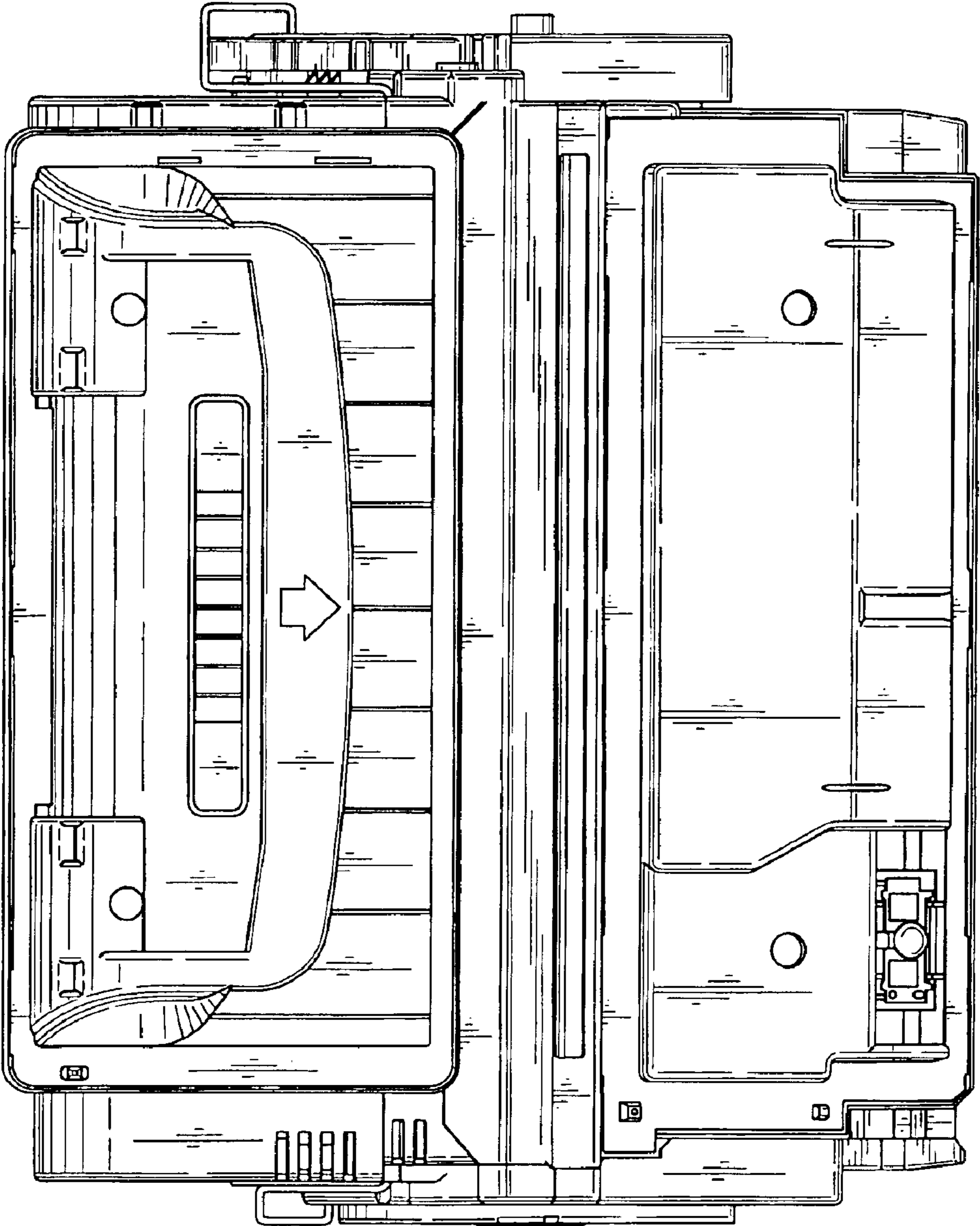
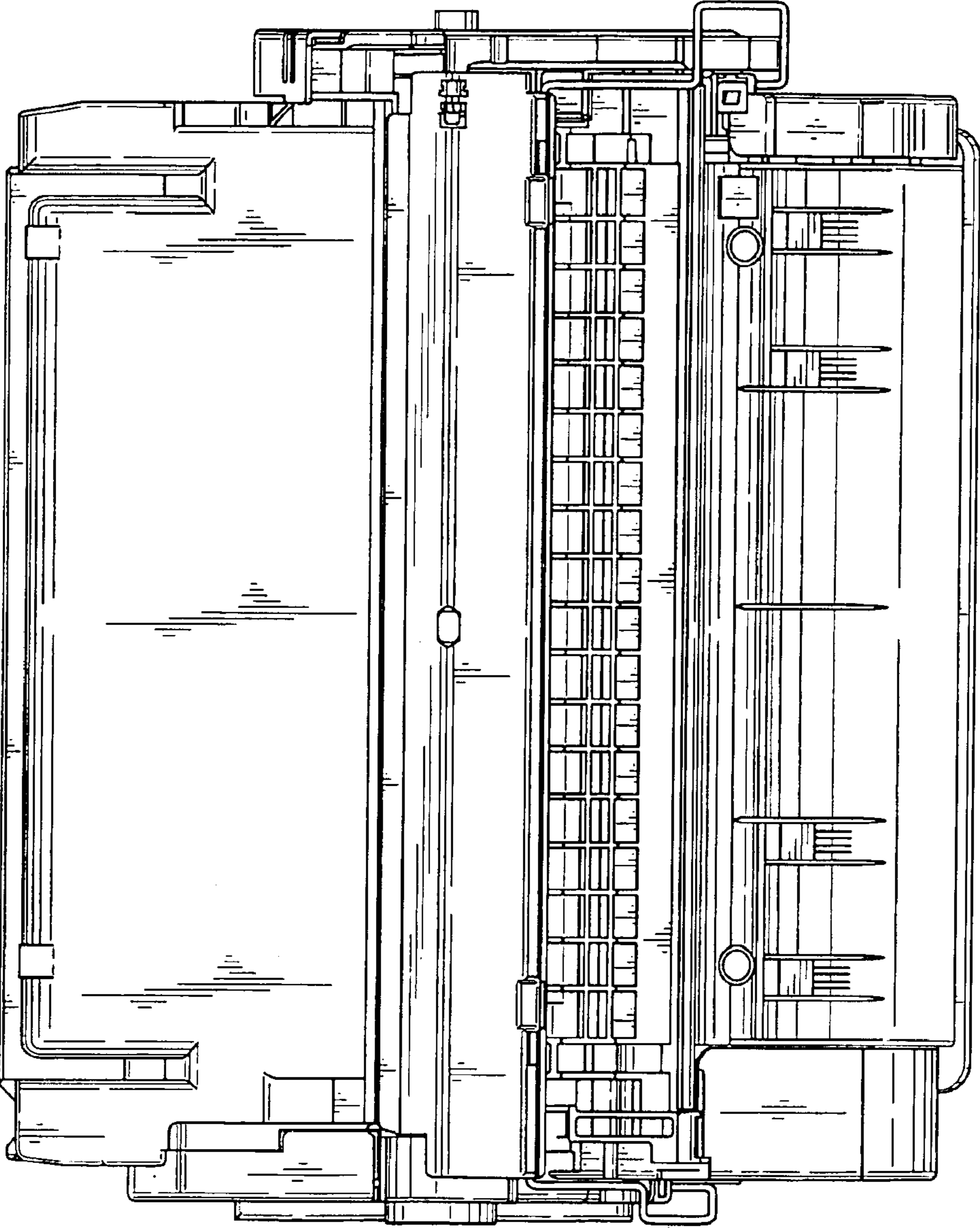
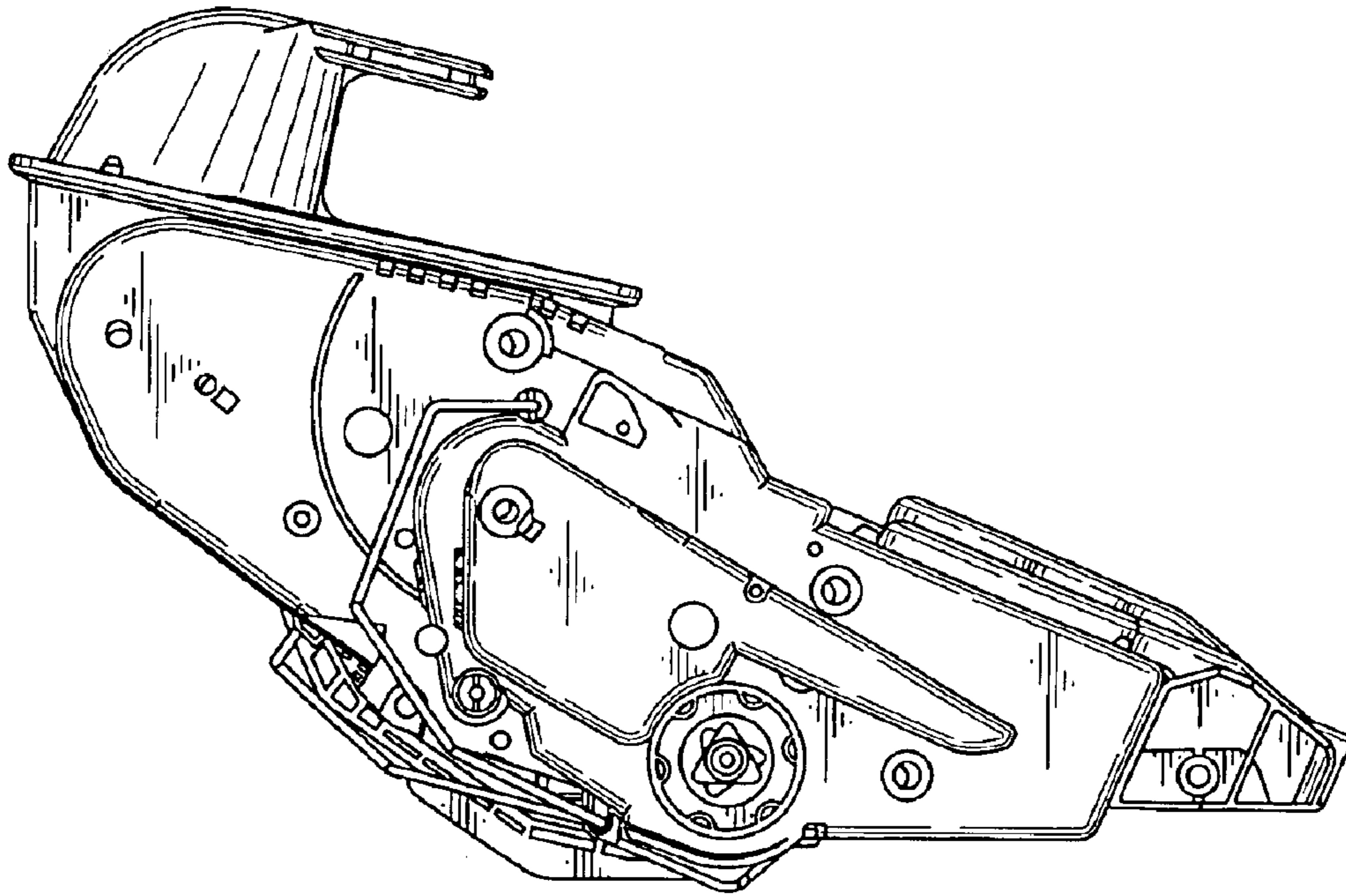




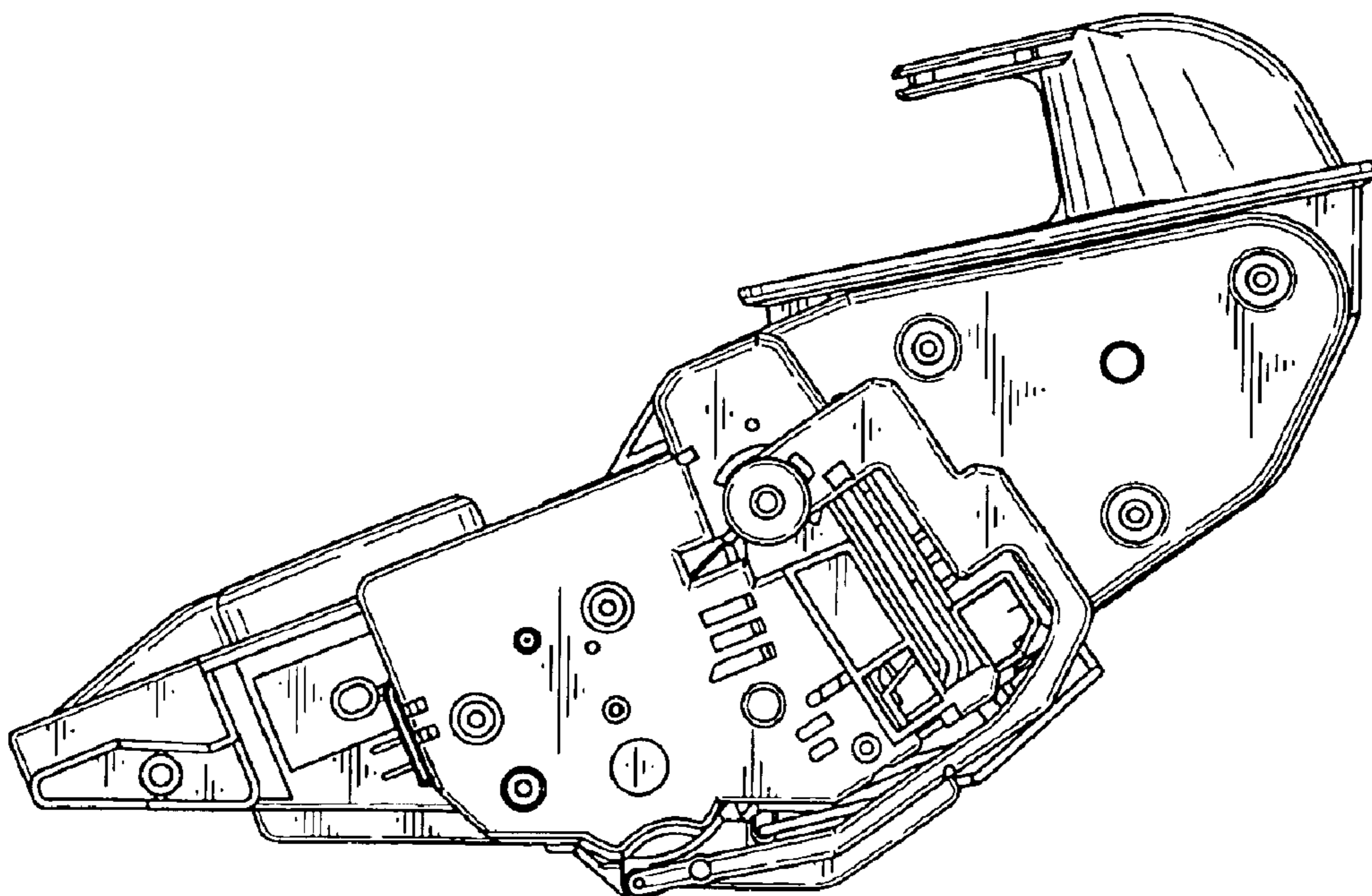
FIG. 4



*FIG. 5*



*FIG. 6*



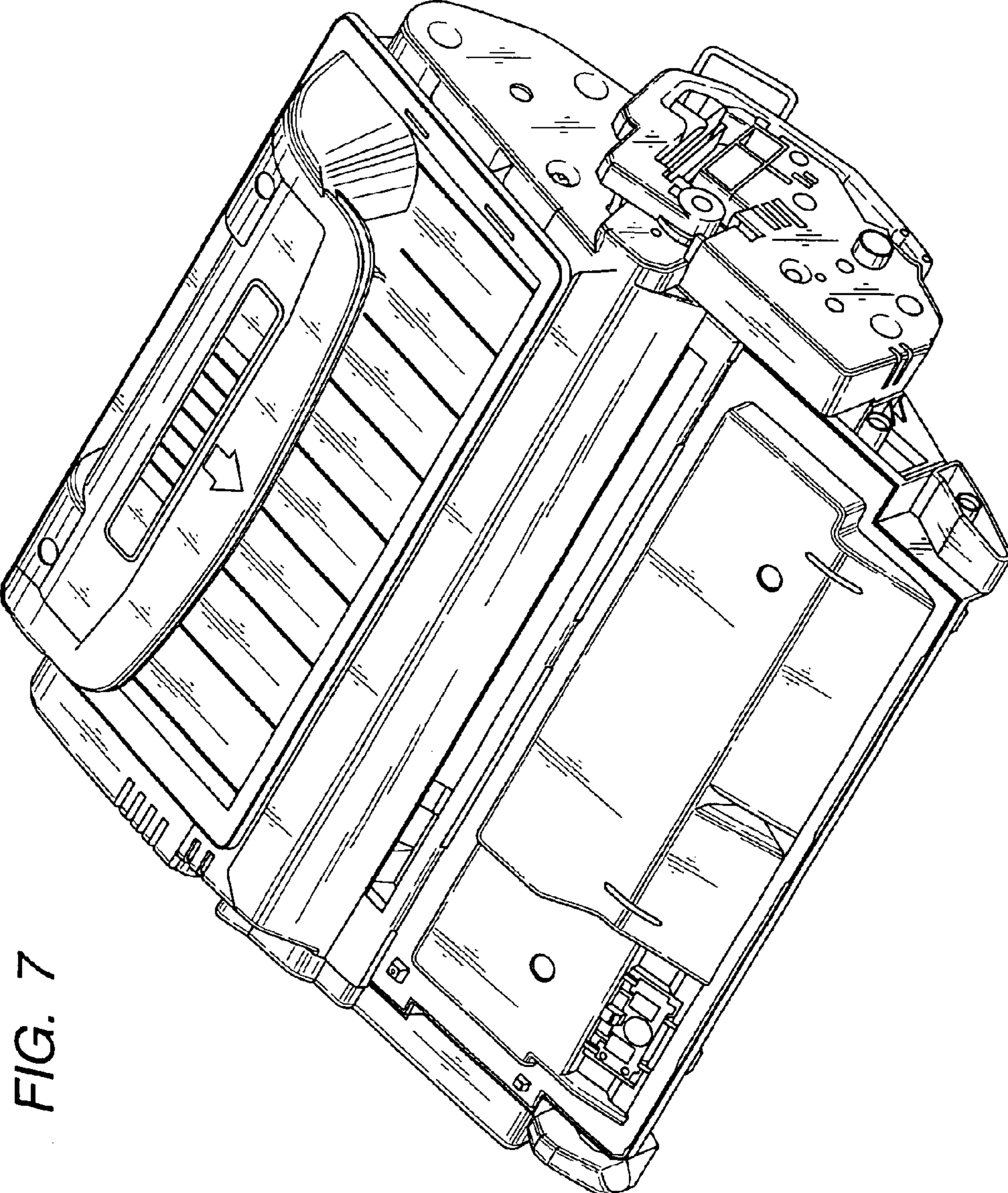


FIG. 7