

US00D524351S

(12) **United States Design Patent**
Haga

(10) **Patent No.:** **US D524,351 S**

(45) **Date of Patent:** **** Jul. 4, 2006**

(54) **DIGITAL CAMERA**

D505,684 S * 5/2005 Gotham et al. D16/202
D506,491 S * 6/2005 Takahashi D16/219

(75) Inventor: **Masaaki Haga**, Tokyo (JP)

FOREIGN PATENT DOCUMENTS

(73) Assignee: **PENTAX Corporation**, Tokyo (JP)

JP 1187002 10/2003

(**) Term: **14 Years**

* cited by examiner

(21) Appl. No.: **29/224,610**

Primary Examiner—Adir Aronovich

(22) Filed: **Mar. 7, 2005**

(74) *Attorney, Agent, or Firm*—Sughrue Mion, PLLC

(30) **Foreign Application Priority Data**

(57) **CLAIM**

Sep. 8, 2004 (JP) 2004-027297

The ornamental design for a digital camera, as shown and described.

(51) **LOC (8) Cl.** **16-05**

DESCRIPTION

(52) **U.S. Cl.** **D16/219**; D16/202

(58) **Field of Classification Search** D16/200–206,
D16/208, 216, 217, 218, 219; 348/373–376;
358/909.1; 396/177, 354, 535–541

FIG. 1 is a perspective view of the top, front, and right side of a digital camera showing my new design; FIG. 2 is a front elevational view thereof; FIG. 3 is a rear elevational view thereof; FIG. 4 is a right side elevational view thereof; FIG. 5 is a left side elevational view thereof; FIG. 6 is a top plan view thereof; and, FIG. 7 is a bottom plan view thereof.

See application file for complete search history.

The portions shown in broken lines are for illustrative purposes only and form no part of the claimed design.

(56) **References Cited**

U.S. PATENT DOCUMENTS

4,692,010 A * 9/1987 Kataoka et al. 396/354
D487,105 S * 2/2004 Takahashi D16/217
D491,593 S * 6/2004 Haga D16/202

1 Claim, 7 Drawing Sheets

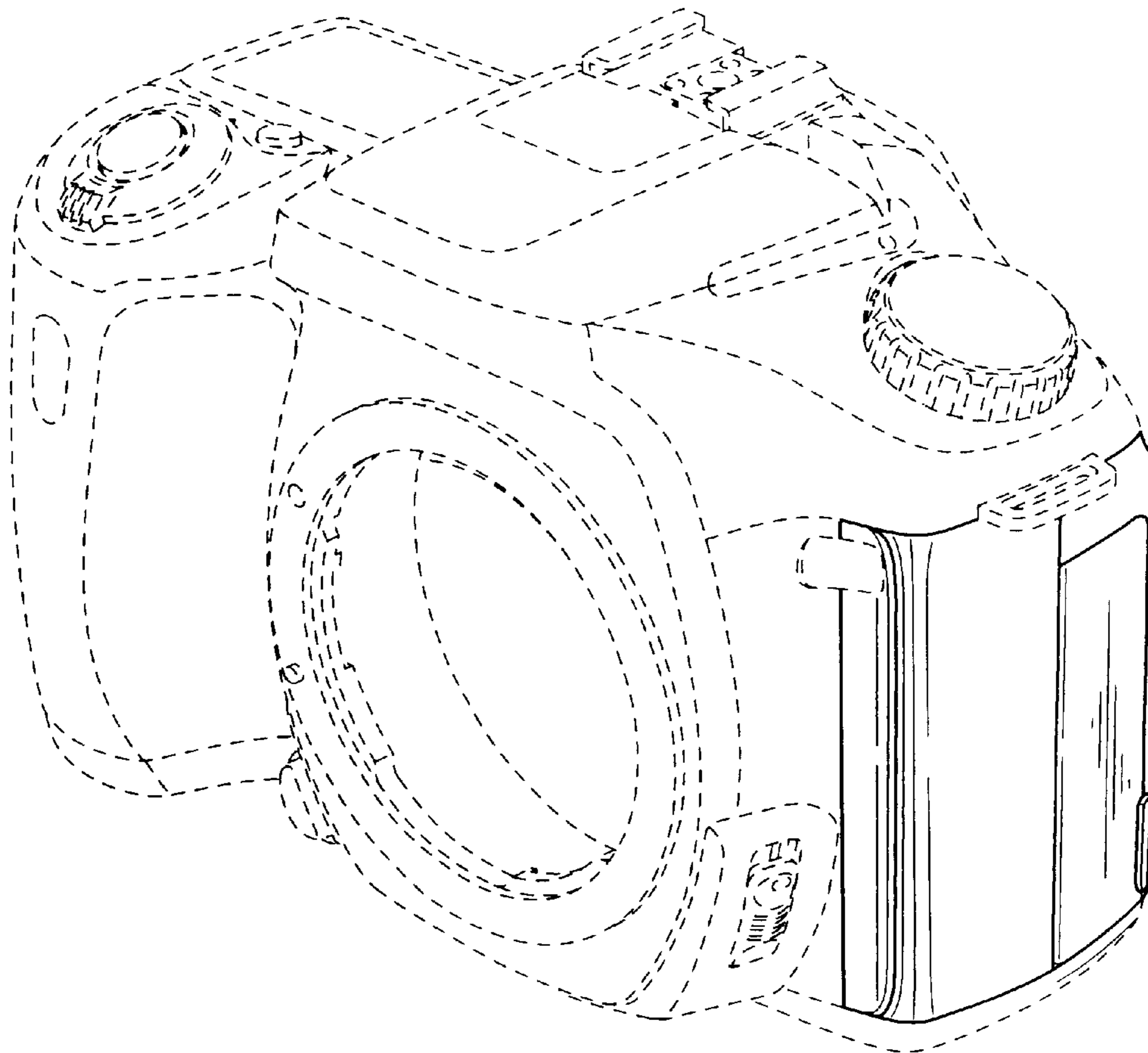


FIG. 1

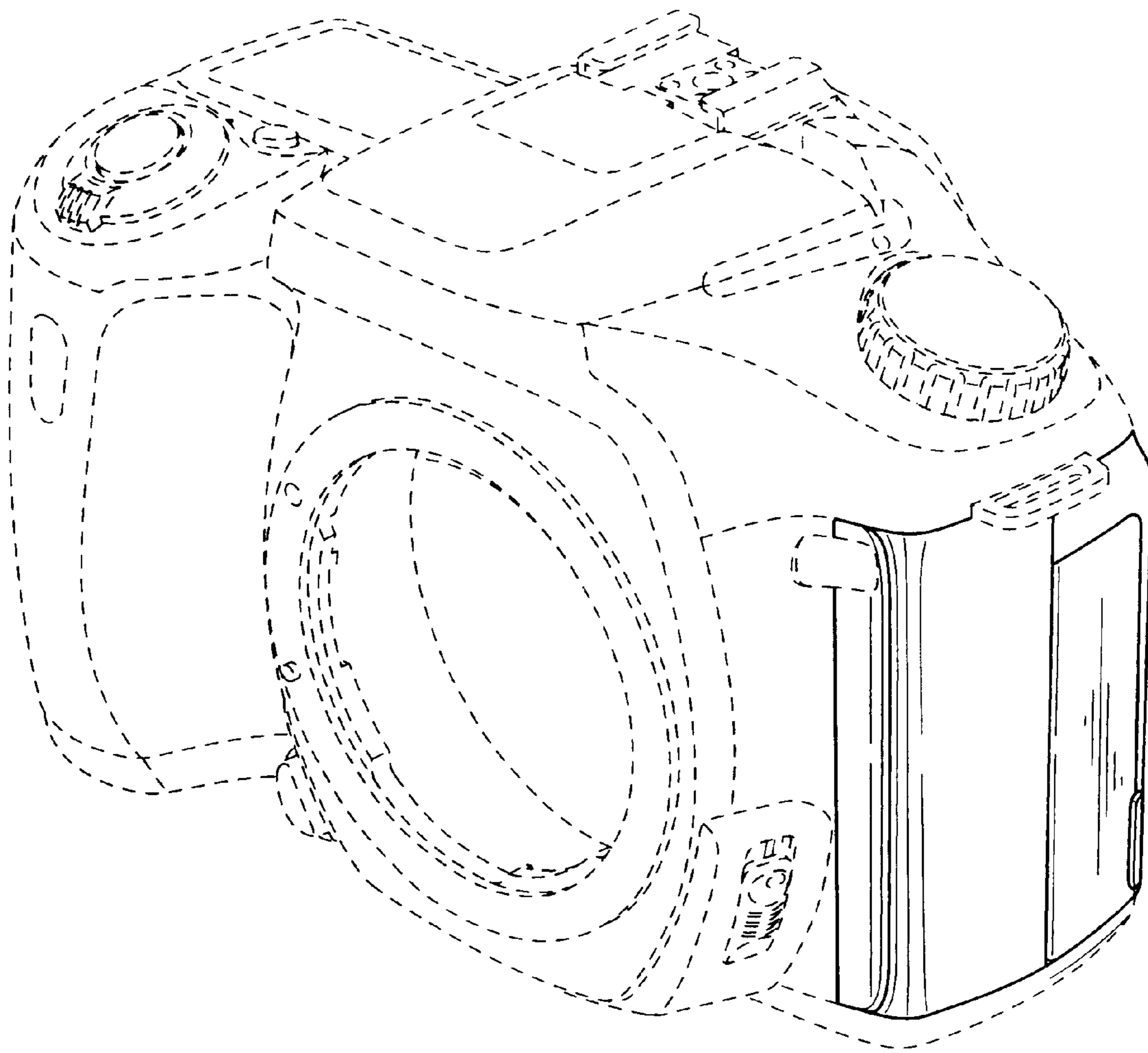


FIG. 2

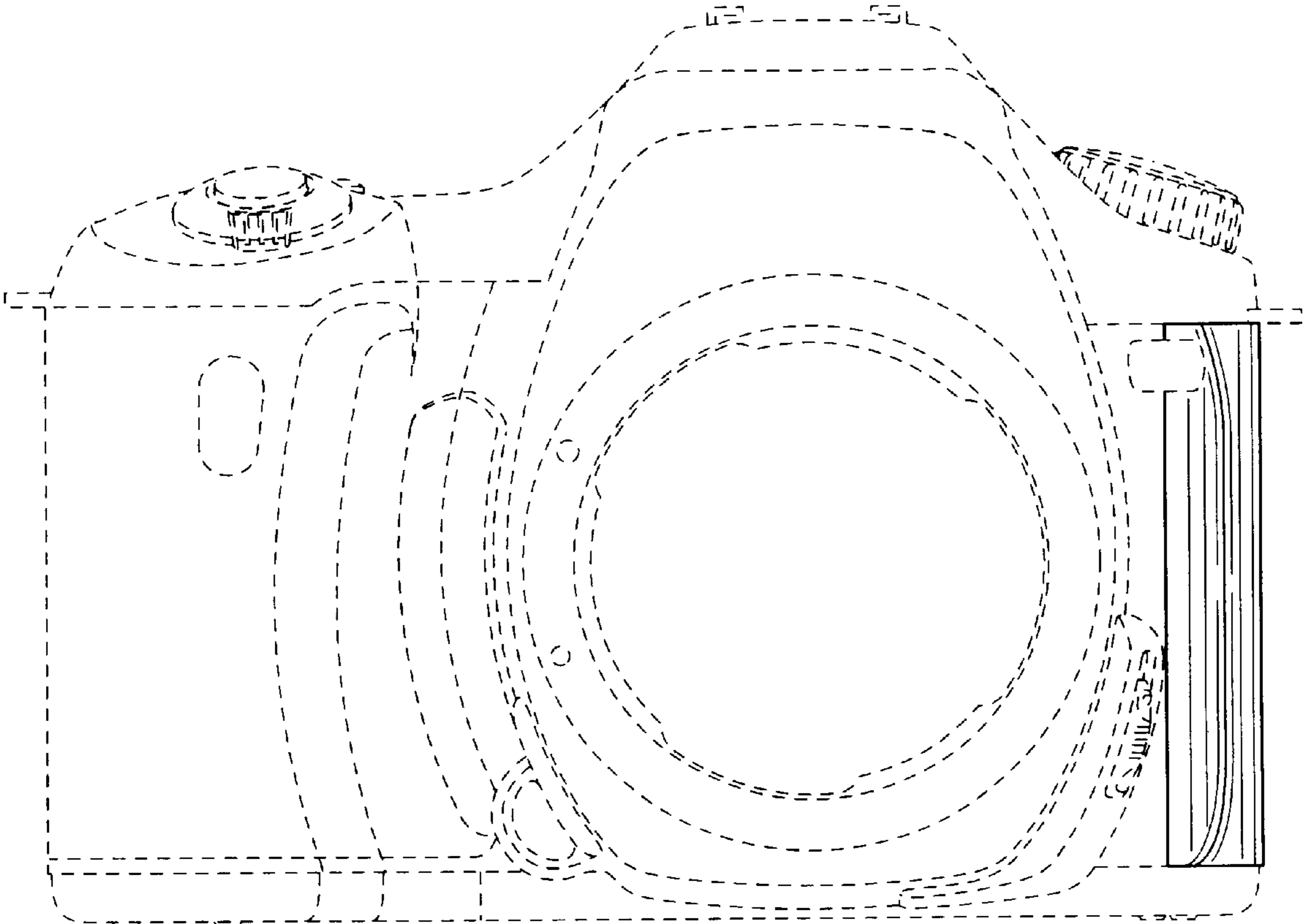


FIG. 3

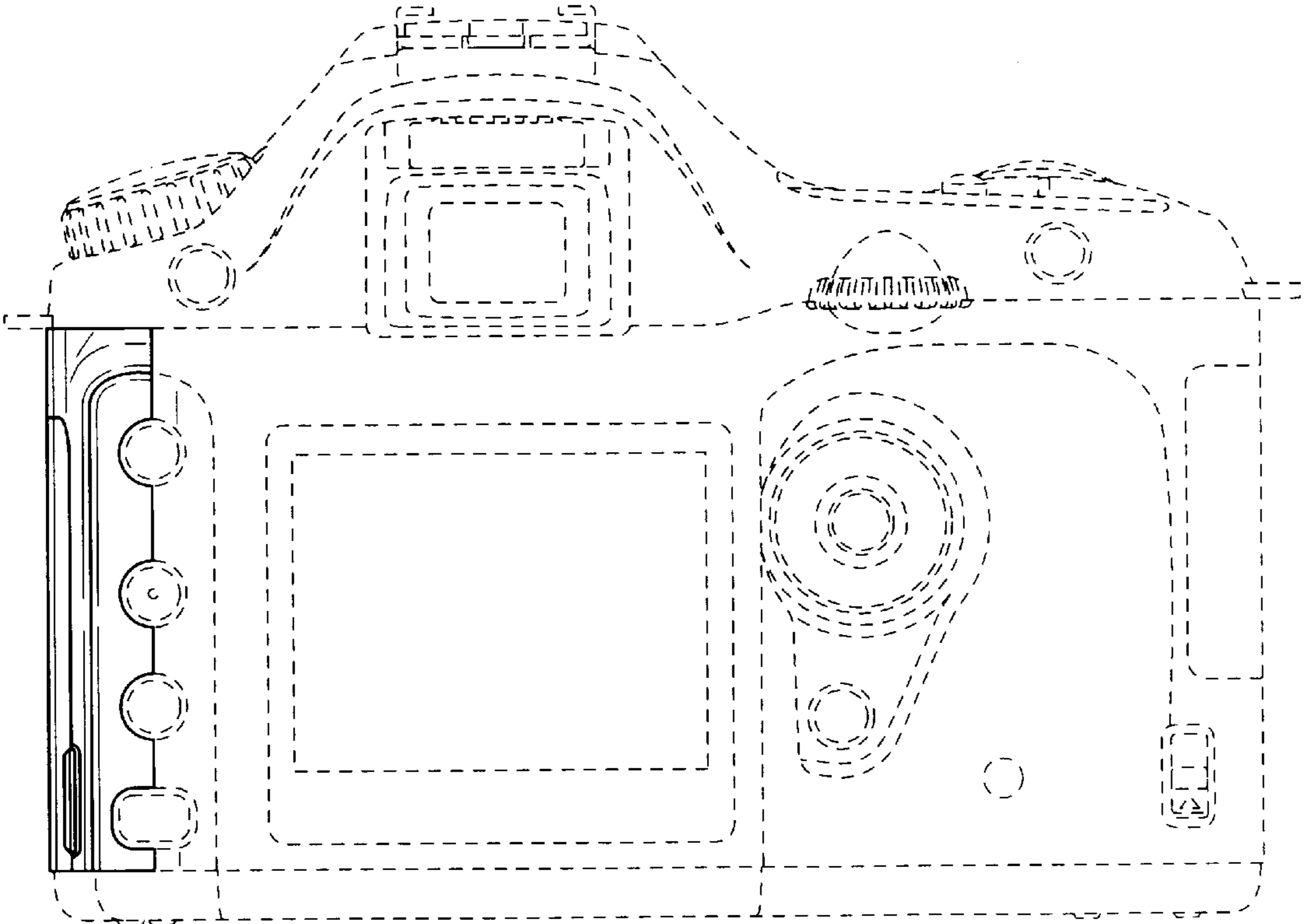


FIG. 4

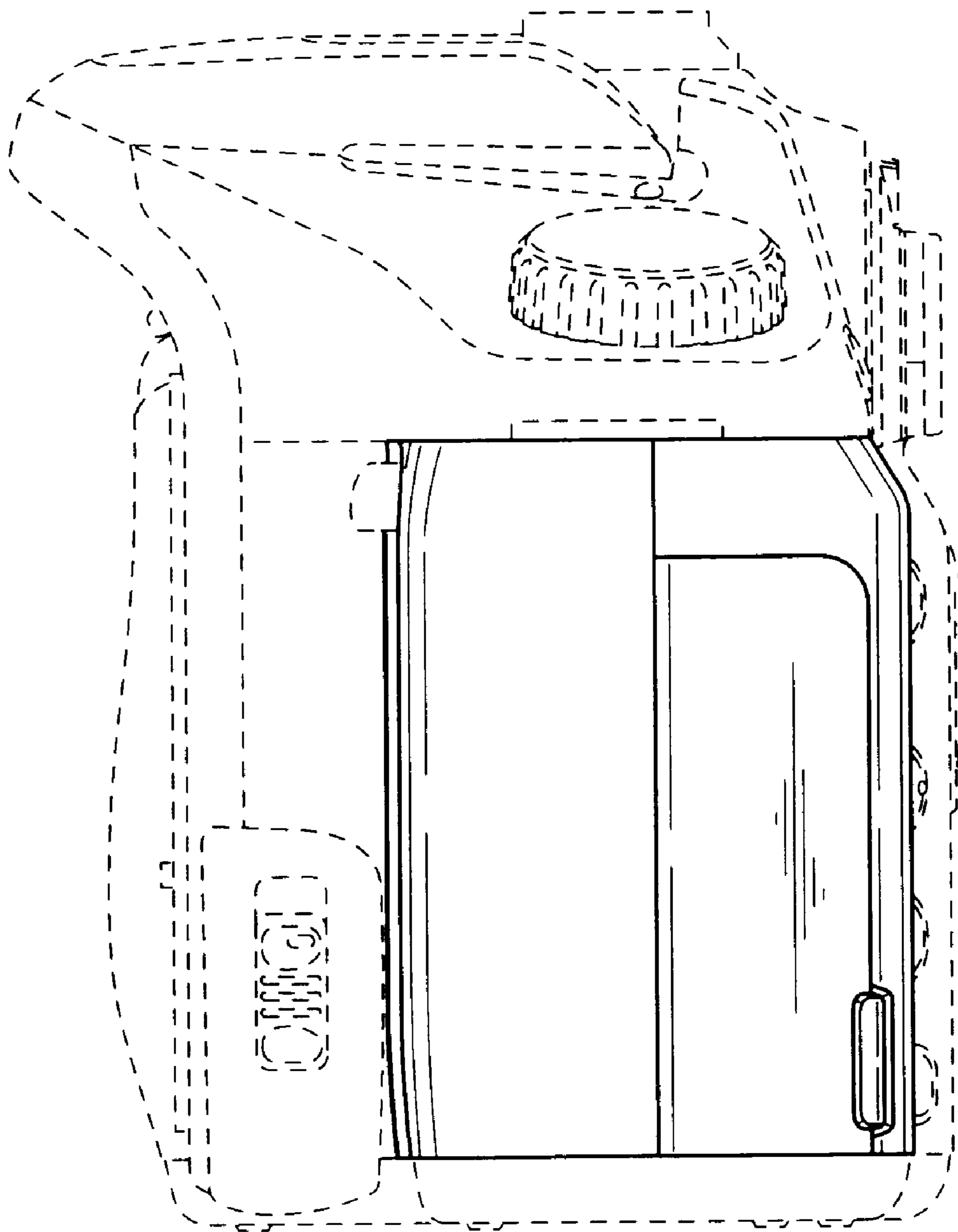


FIG. 5

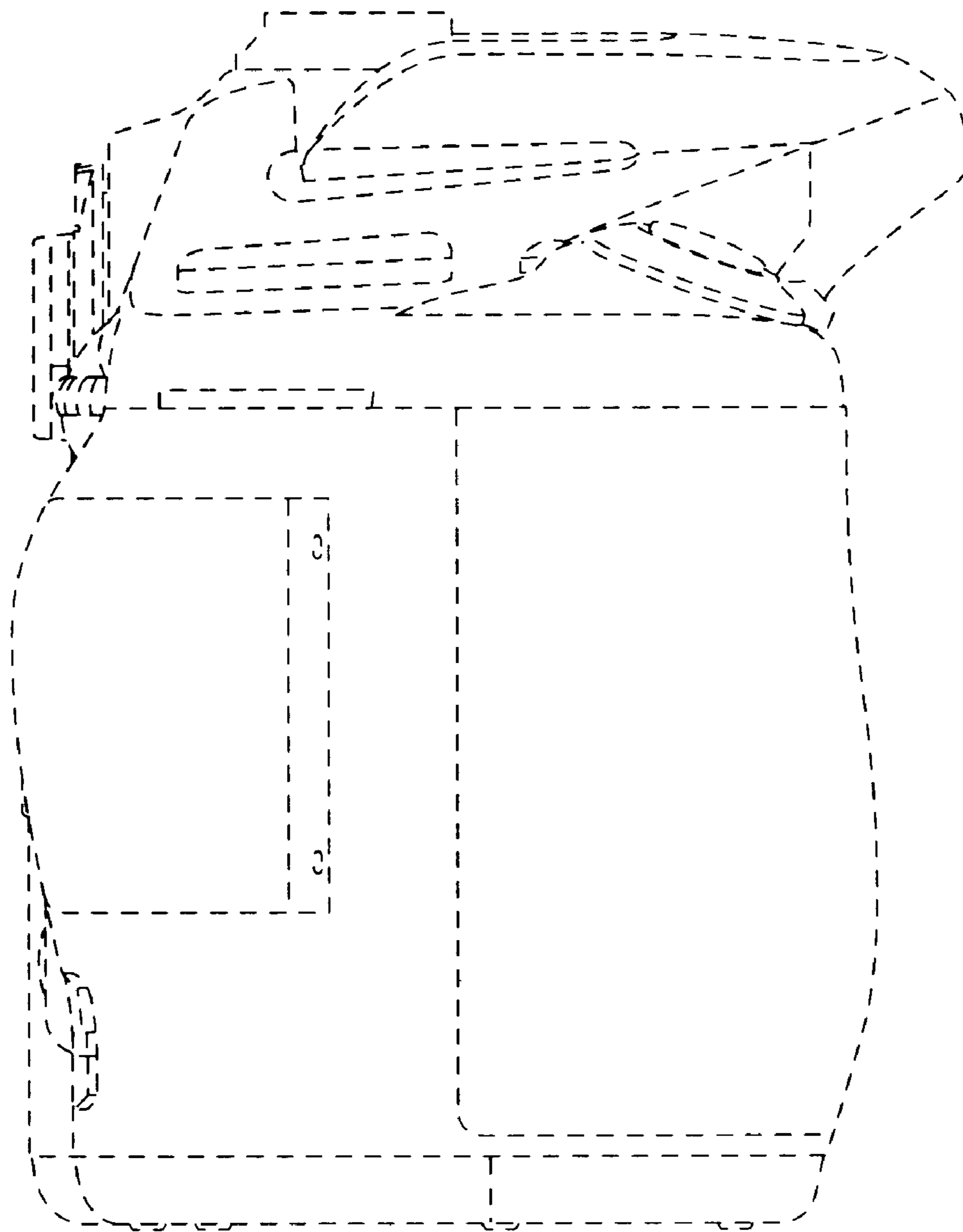


FIG. 6

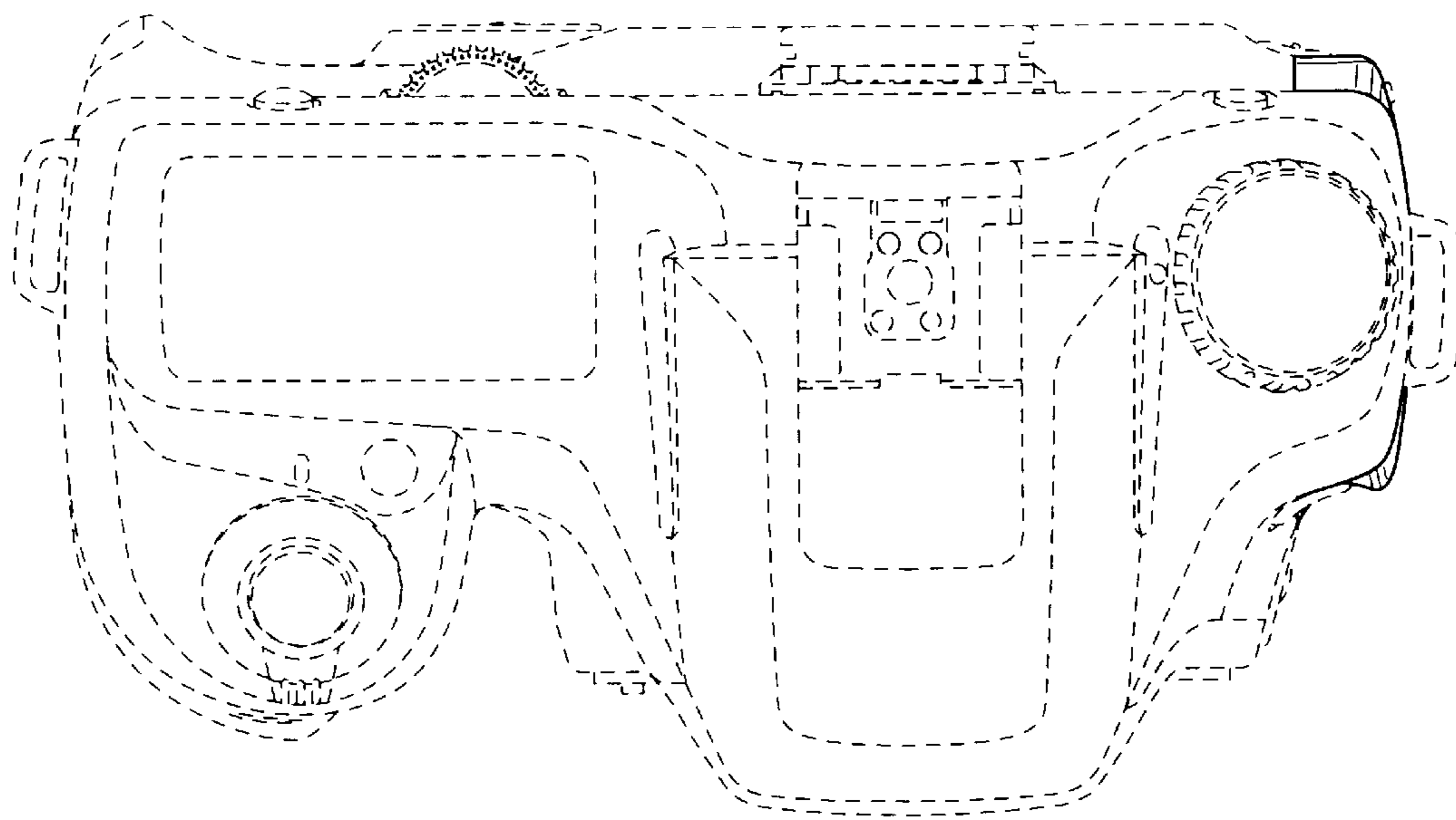


FIG. 7

