



US00D524350S

(12) **United States Design Patent**  
**Hayamizu**

(10) **Patent No.:** **US D524,350 S**  
(45) **Date of Patent:** **\*\* Jul. 4, 2006**

- (54) **DIGITAL CAMERA**
- (75) Inventor: **Eiji Hayamizu**, Tokyo (JP)
- (73) Assignee: **PENTAX Corporation**, Tokyo (JP)
- (\*\*) Term: **14 Years**
- (21) Appl. No.: **29/223,966**
- (22) Filed: **Feb. 24, 2005**
- (30) **Foreign Application Priority Data**

Sep. 7, 2004 (JP) ..... 2004-027140

- (51) **LOC (8) Cl.** ..... **16-05**
- (52) **U.S. Cl.** ..... **D16/219; D16/202**
- (58) **Field of Classification Search** ..... D16/200–204,  
D16/208, 209, 218, 219; 348/373–376; 358/909.1;  
396/535–541  
See application file for complete search history.

(56) **References Cited**

**U.S. PATENT DOCUMENTS**

- D495,353 S \* 8/2004 **Komatsu** ..... D16/219
- D496,380 S \* 9/2004 **Isomoto** ..... D16/202

- D501,865 S \* 2/2005 **Li et al.** ..... D16/219
- D502,484 S \* 3/2005 **Nagayama et al.** ..... D16/219
- D502,485 S \* 3/2005 **Nagayama** ..... D16/219
- D502,723 S \* 3/2005 **Nagayama et al.** ..... D16/219

\* cited by examiner

*Primary Examiner*—Adir Aronovich

(74) *Attorney, Agent, or Firm*—Sughrue Mion, PLLC

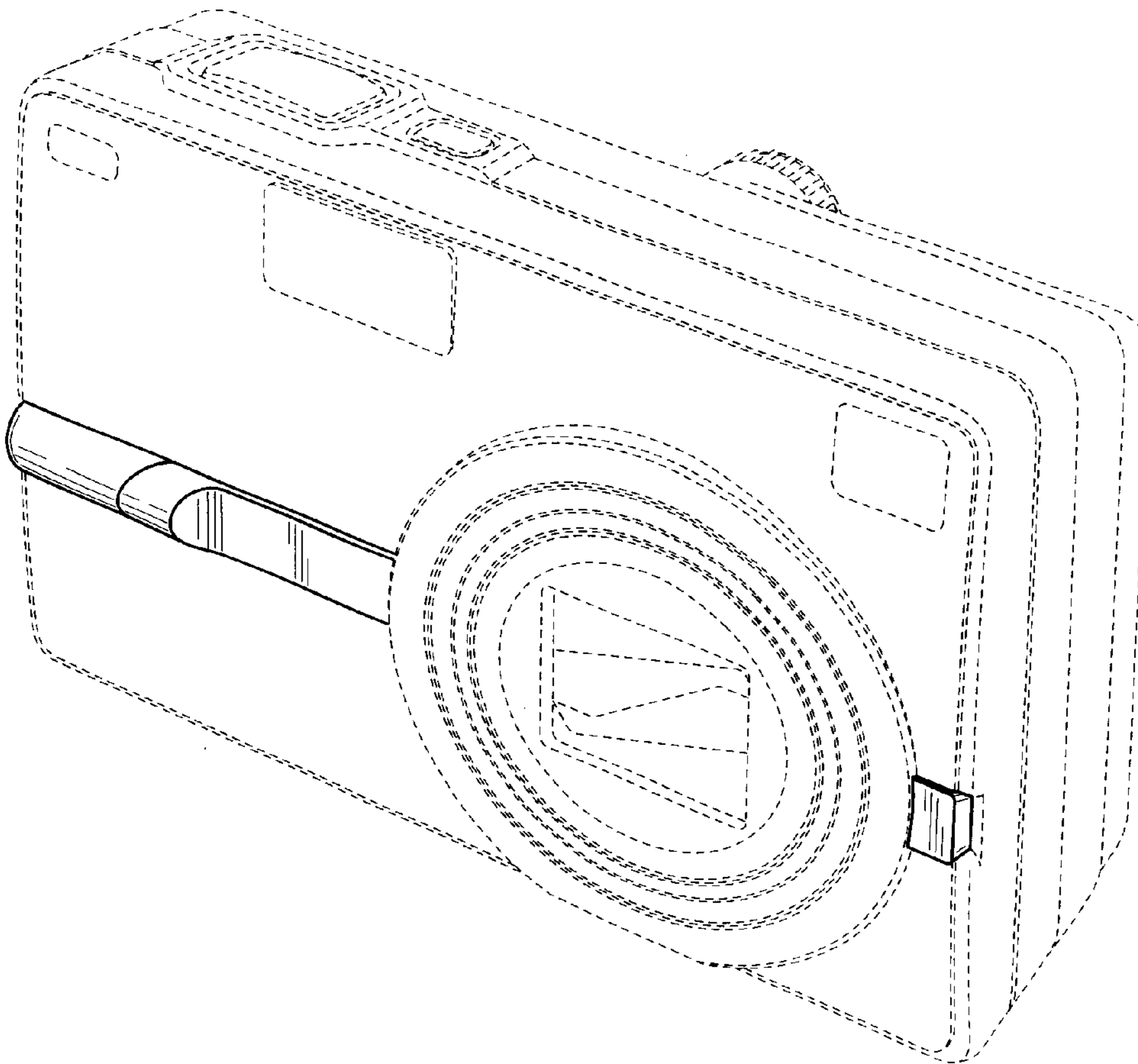
(57) **CLAIM**

The ornamental design for a digital camera, as shown and described.

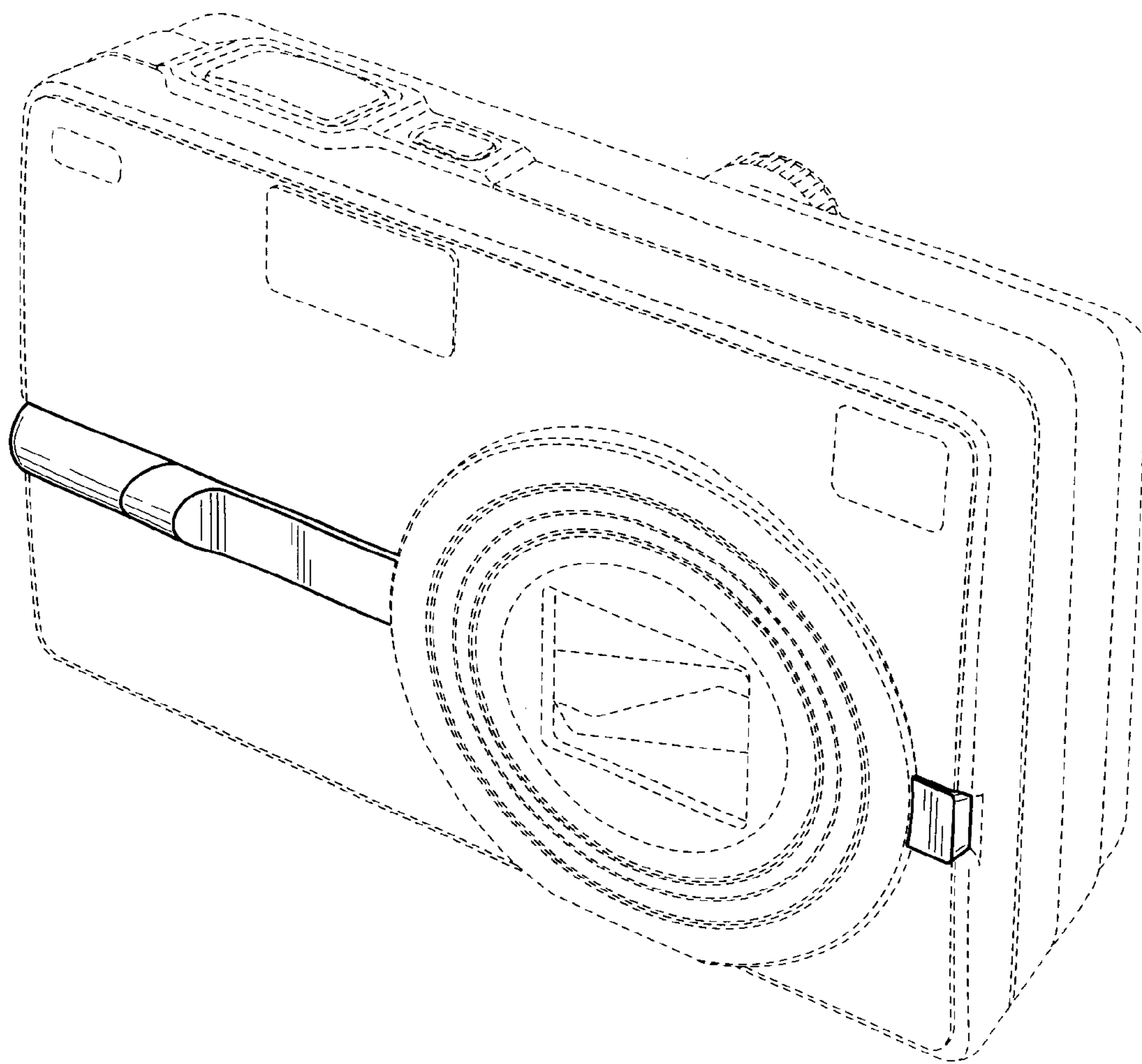
**DESCRIPTION**

FIG. 1 is a perspective view of the top, front, and right side of a digital camera showing my new design;  
 FIG. 2 is a top plan view thereof;  
 FIG. 3 is a front elevational view thereof;  
 FIG. 4 is a left side elevational view thereof;  
 FIG. 5 is a right side elevational view thereof;  
 FIG. 6 is a rear elevational view thereof; and,  
 FIG. 7 is a bottom plan view thereof.  
 The portions shown in broken lines are for illustrative purposes only and form no part of the claimed design.

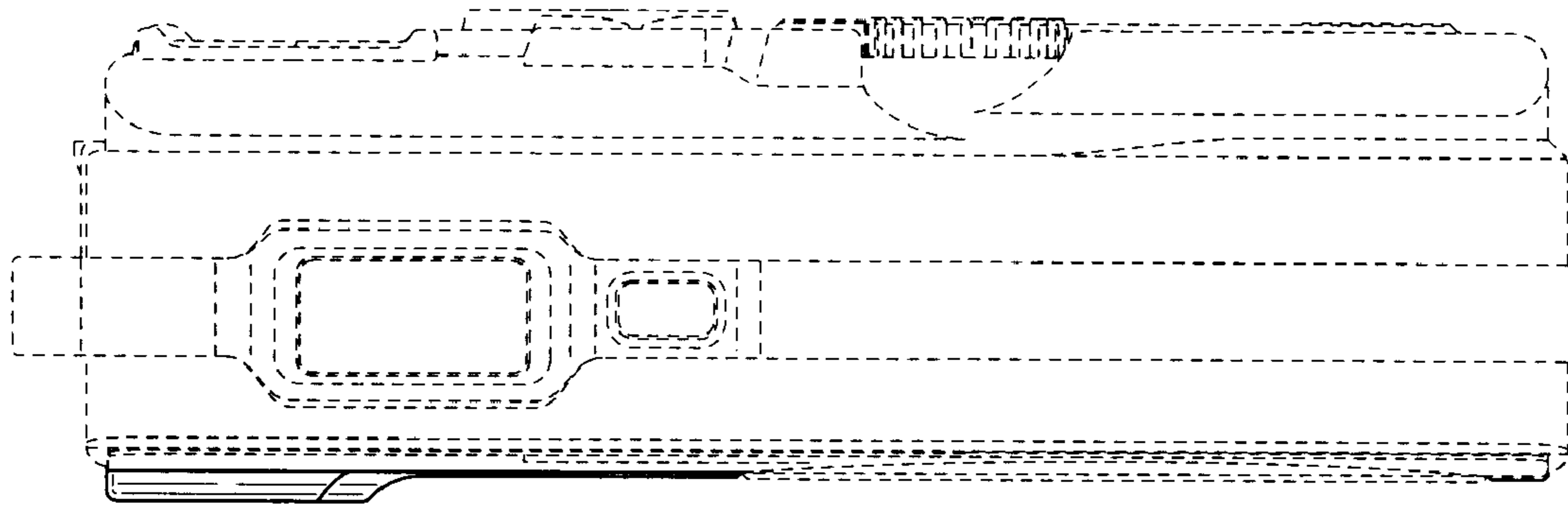
**1 Claim, 4 Drawing Sheets**



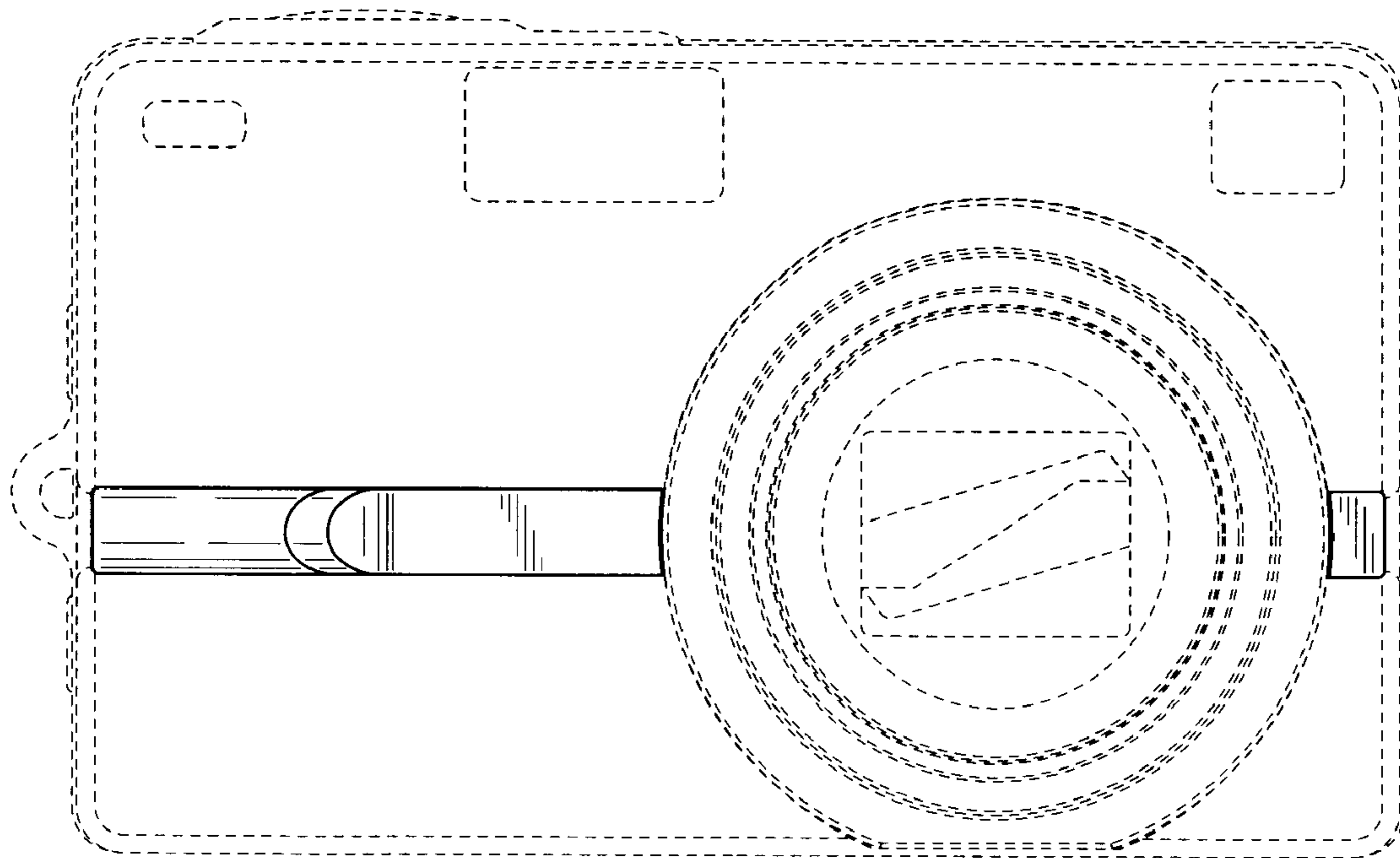
*FIG. 1*



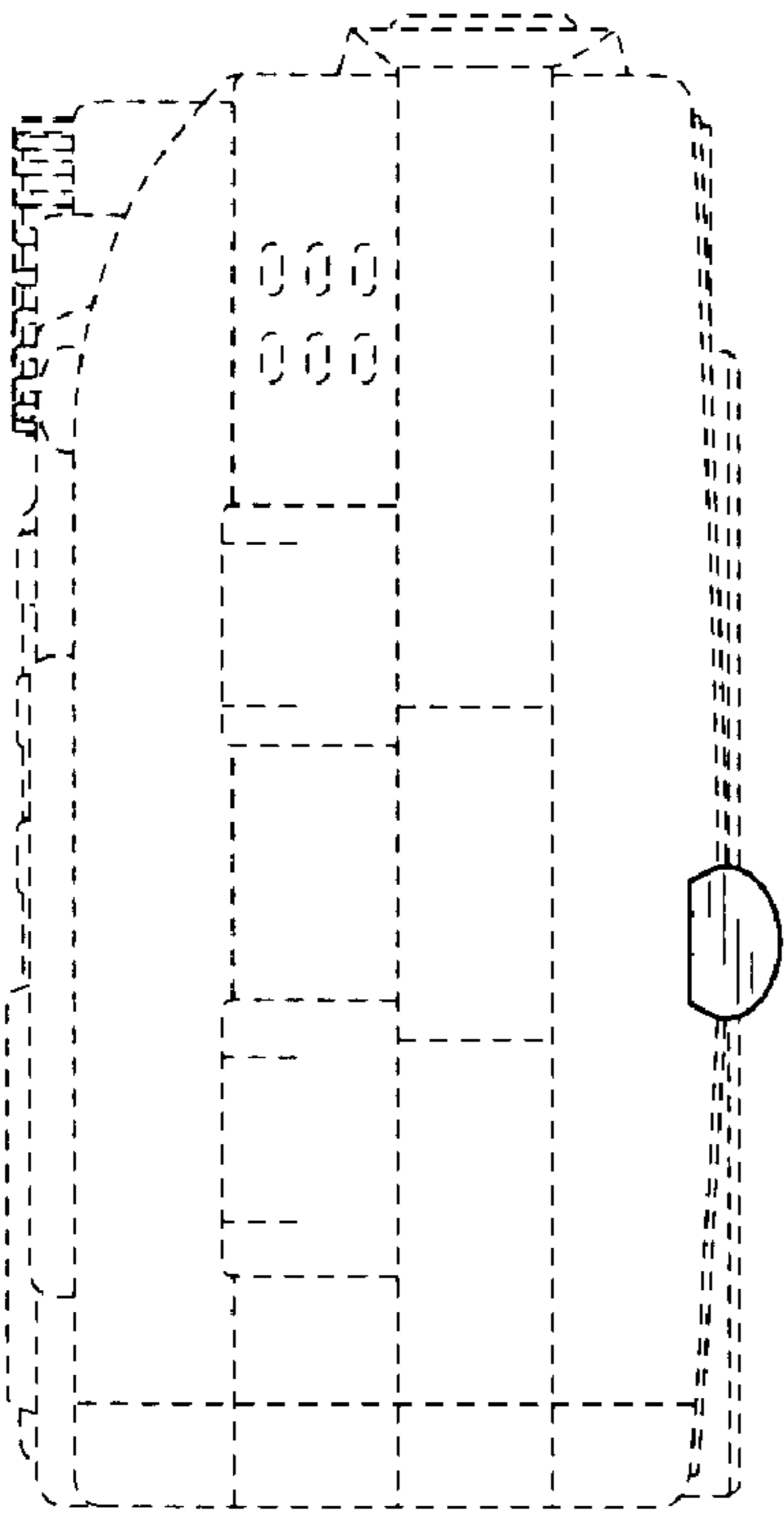
*FIG. 2*



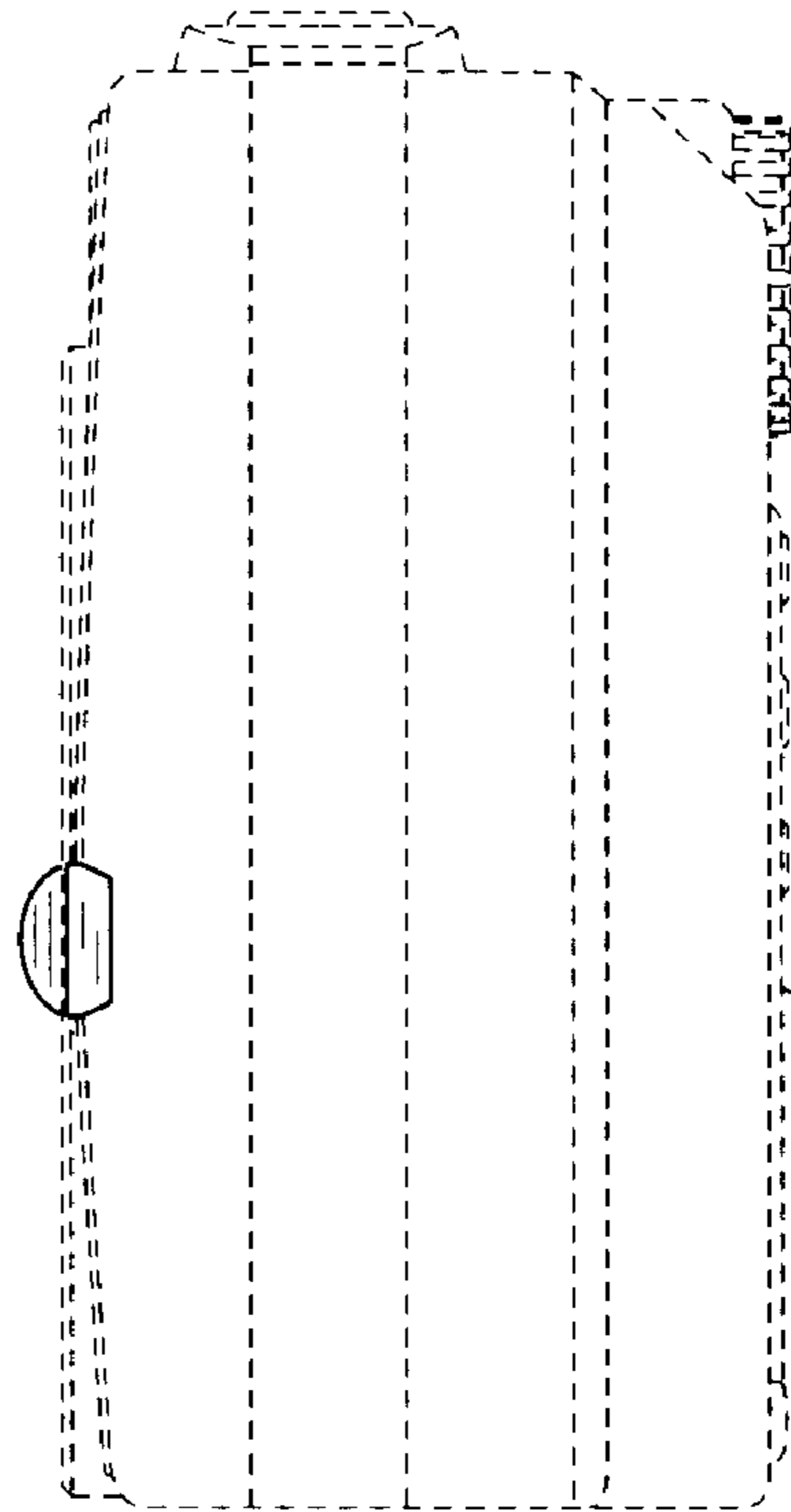
*FIG. 3*



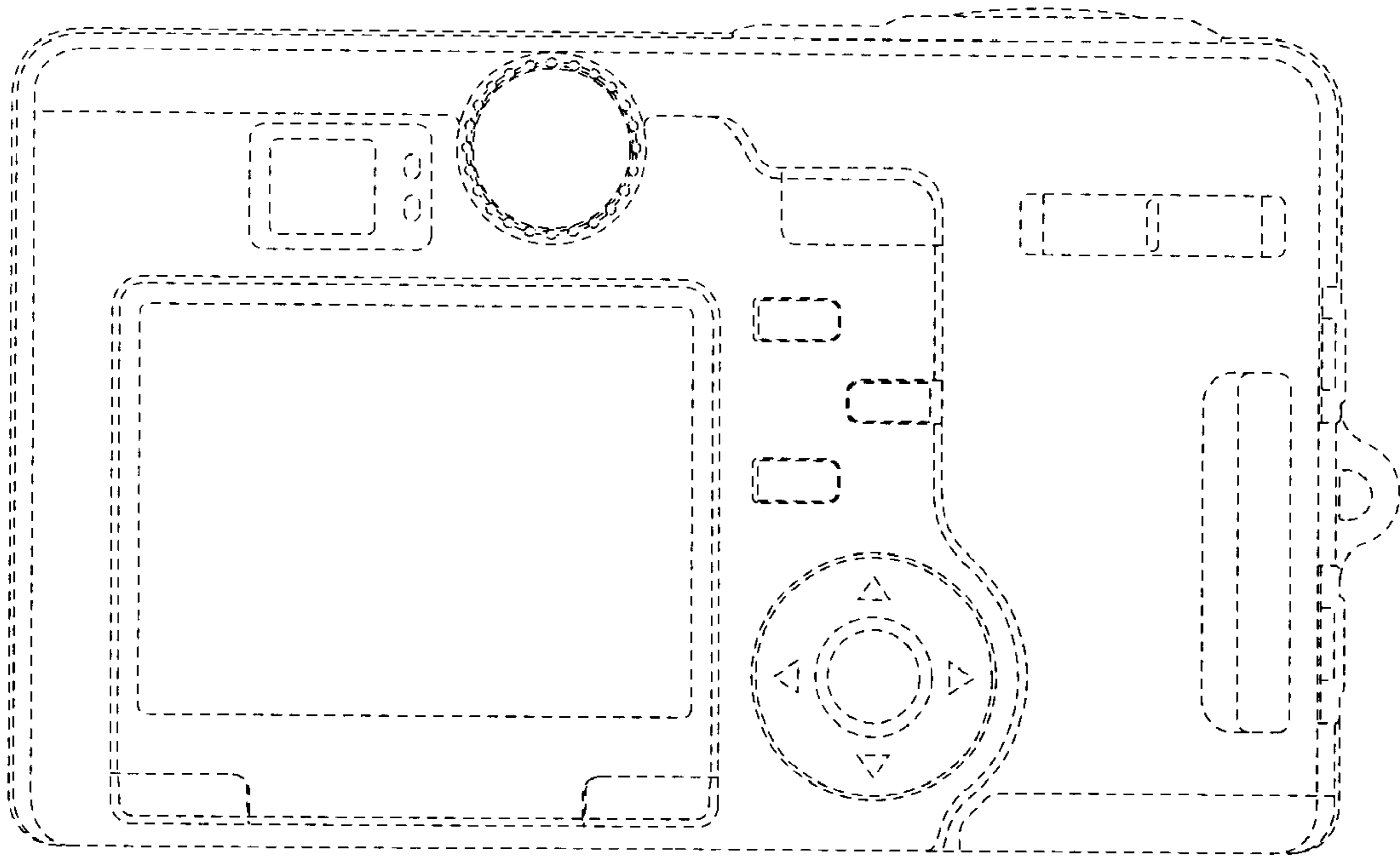
**FIG. 4**



**FIG. 5**



**FIG. 6**



**FIG. 7**

