



US00D524349S

(12) **United States Design Patent**
Nagayama et al.

(10) **Patent No.:** **US D524,349 S**
(45) **Date of Patent:** **** Jul. 4, 2006**

(54) **DIGITAL CAMERA**

FOREIGN PATENT DOCUMENTS

(75) Inventors: **Yosuke Nagayama**, Tokyo (JP);
Norihito Hanafusa, Machida (JP)

JP D1163662 * 1/2003

* cited by examiner

(73) Assignee: **Casio Keisanki Kabushiki Kaisha**,
Tokyo (JP)

Primary Examiner—Adir Aronovich

(74) *Attorney, Agent, or Firm*—Frishauf, Holtz, Goodman
& Chick, P.C.

(**) Term: **14 Years**

(57) **CLAIM**

(21) Appl. No.: **29/222,877**

The ornamental design for a digital camera, as shown and
described.

(22) Filed: **Feb. 4, 2005**

(51) **LOC (8) Cl.** **16-56**

(52) **U.S. Cl.** **D16/219; D16/202**

(58) **Field of Classification Search** D16/200–204,
D16/208, 209, 218, 219; 348/373–376; 358/906,
358/909.1; 396/535–541

See application file for complete search history.

DESCRIPTION

FIG. 1 is a reduced scale front, right side, top perspective
view of a digital camera showing our new design;
FIG. 2 is a front elevational view thereof;
FIG. 3 is a rear elevational view thereof;
FIG. 4 is a left side view thereof;
FIG. 5 is a right side view thereof;
FIG. 6 is a top plan view thereof; and,
FIG. 7 is a bottom plan view thereof.

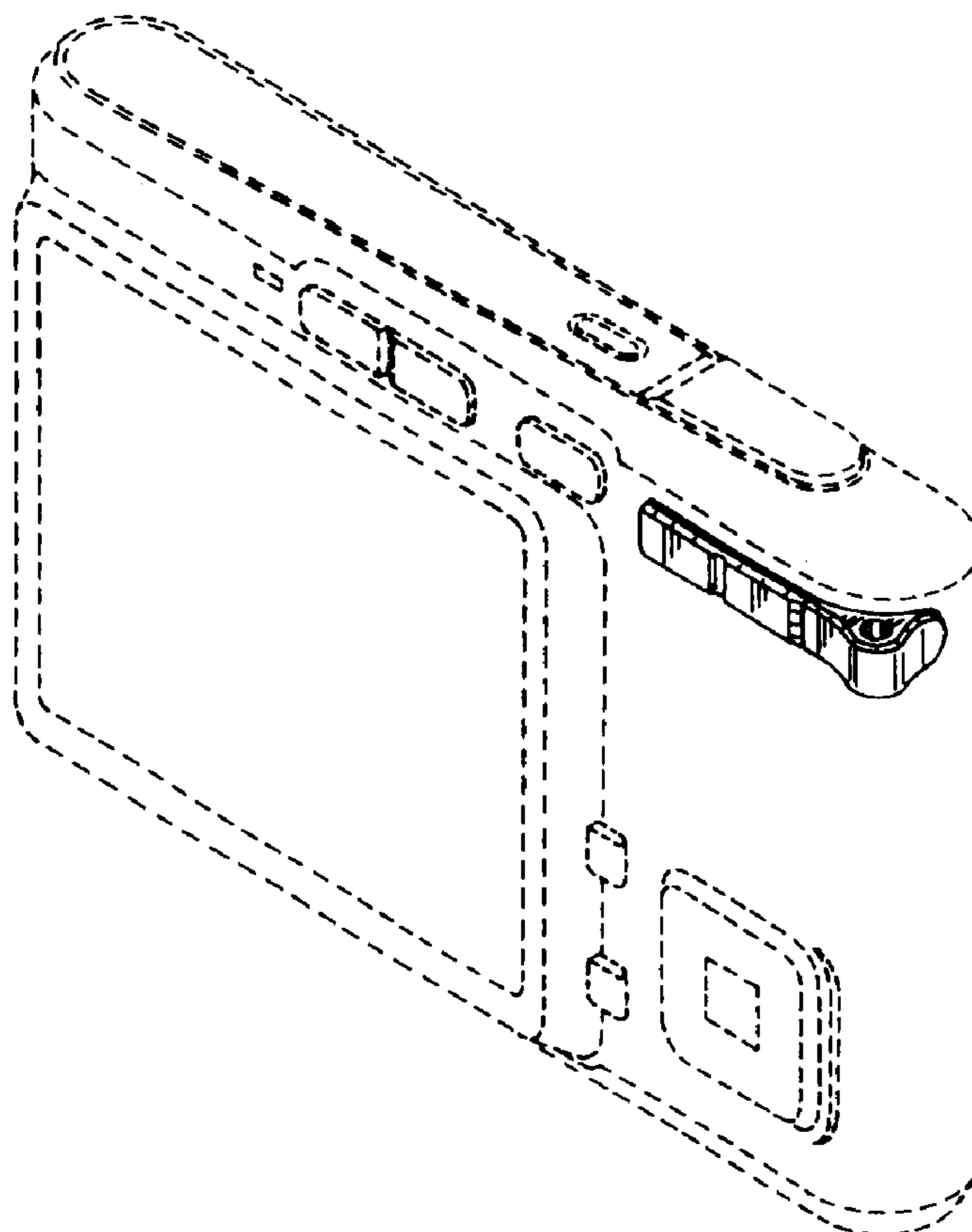
The broken line showings are for illustrative purposes only
and form no part of the claimed design.

(56) **References Cited**

U.S. PATENT DOCUMENTS

D423,544 S	*	4/2000	Yamamoto et al.	D16/202
D488,498 S	*	4/2004	Miyashita	D16/219
D496,380 S	*	9/2004	Isomoto	D16/202
D502,480 S	*	3/2005	Nagayama	D16/202
D508,512 S	*	8/2005	Suzuki	D16/219

1 Claim, 6 Drawing Sheets



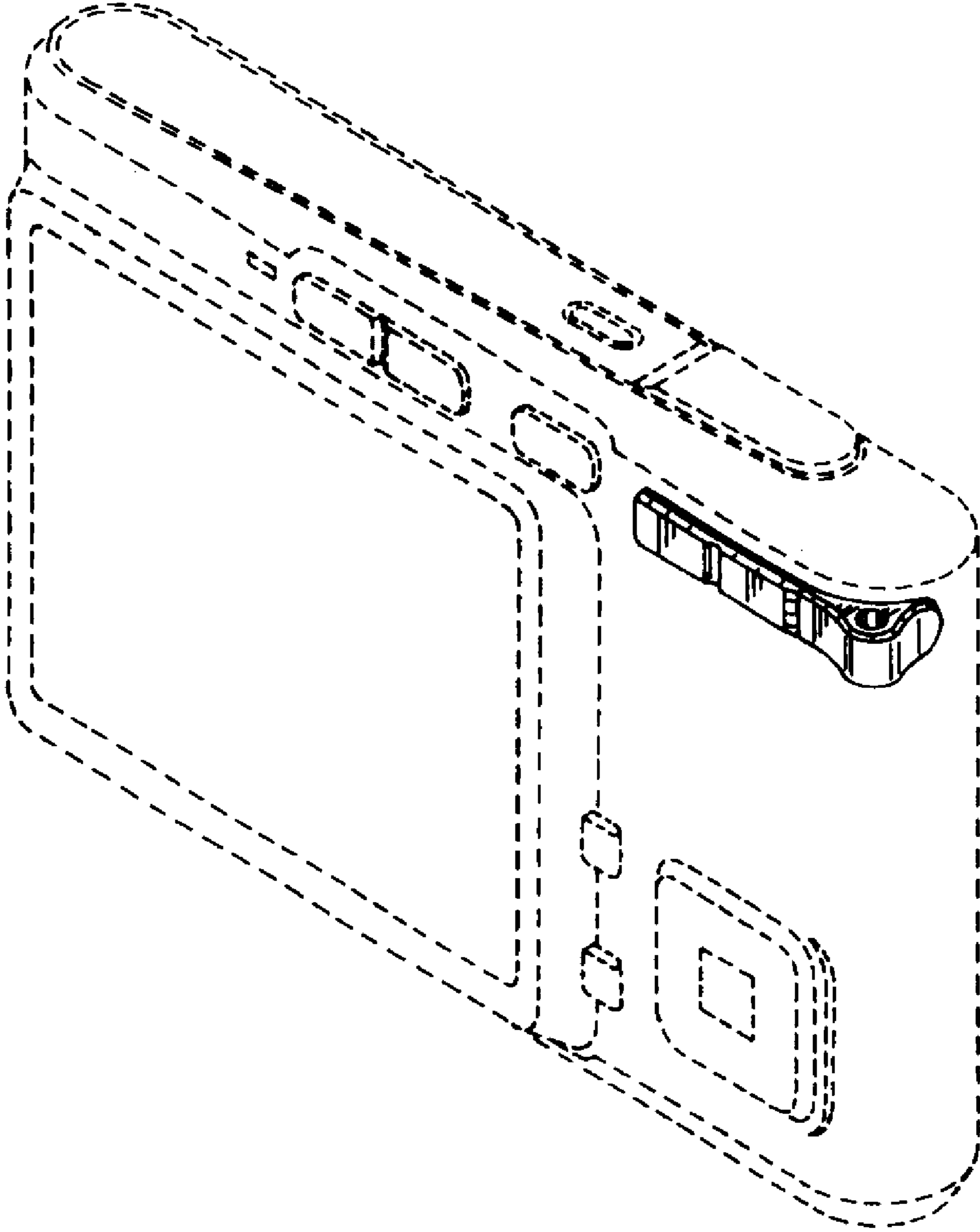


FIG. 1

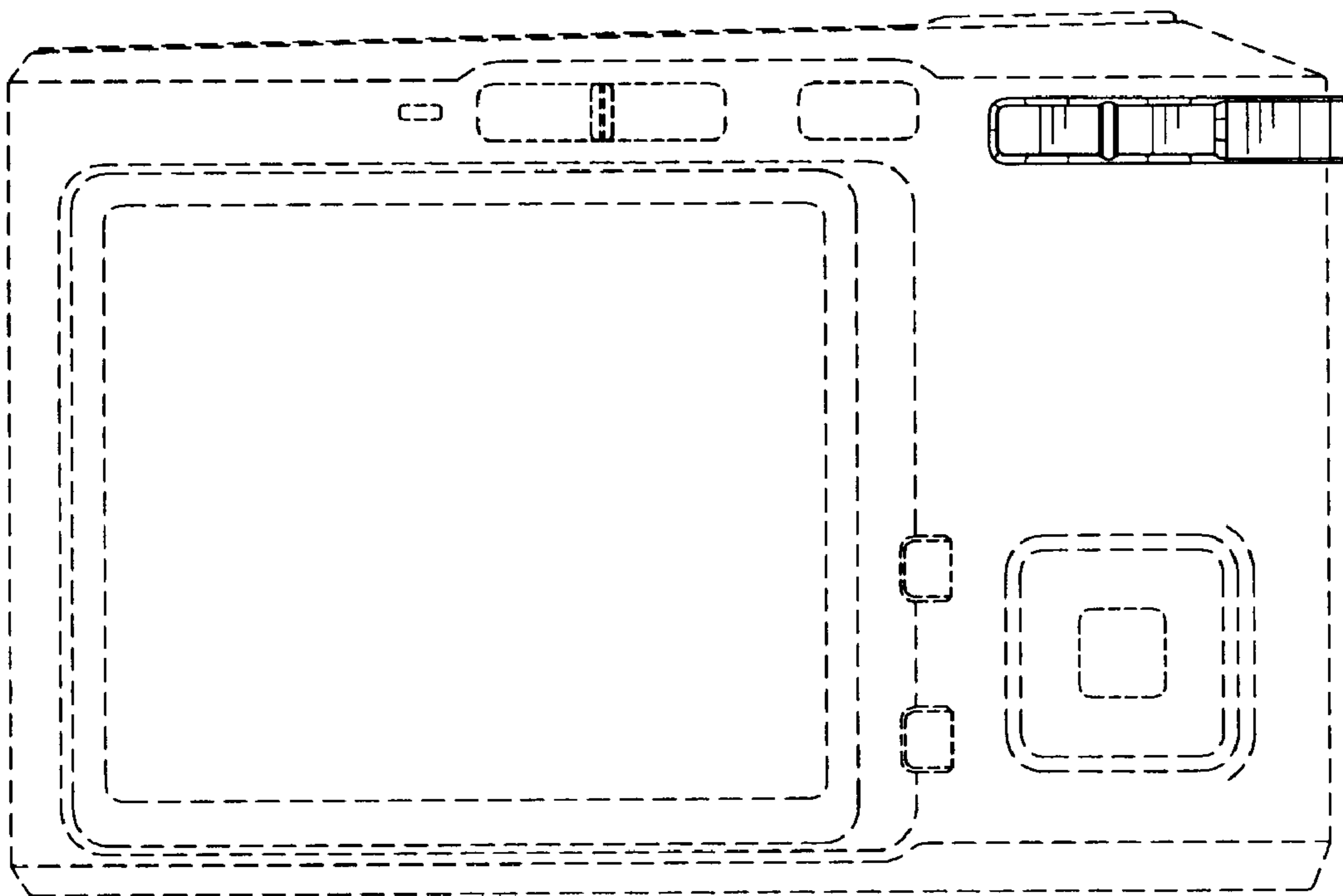


FIG. 2

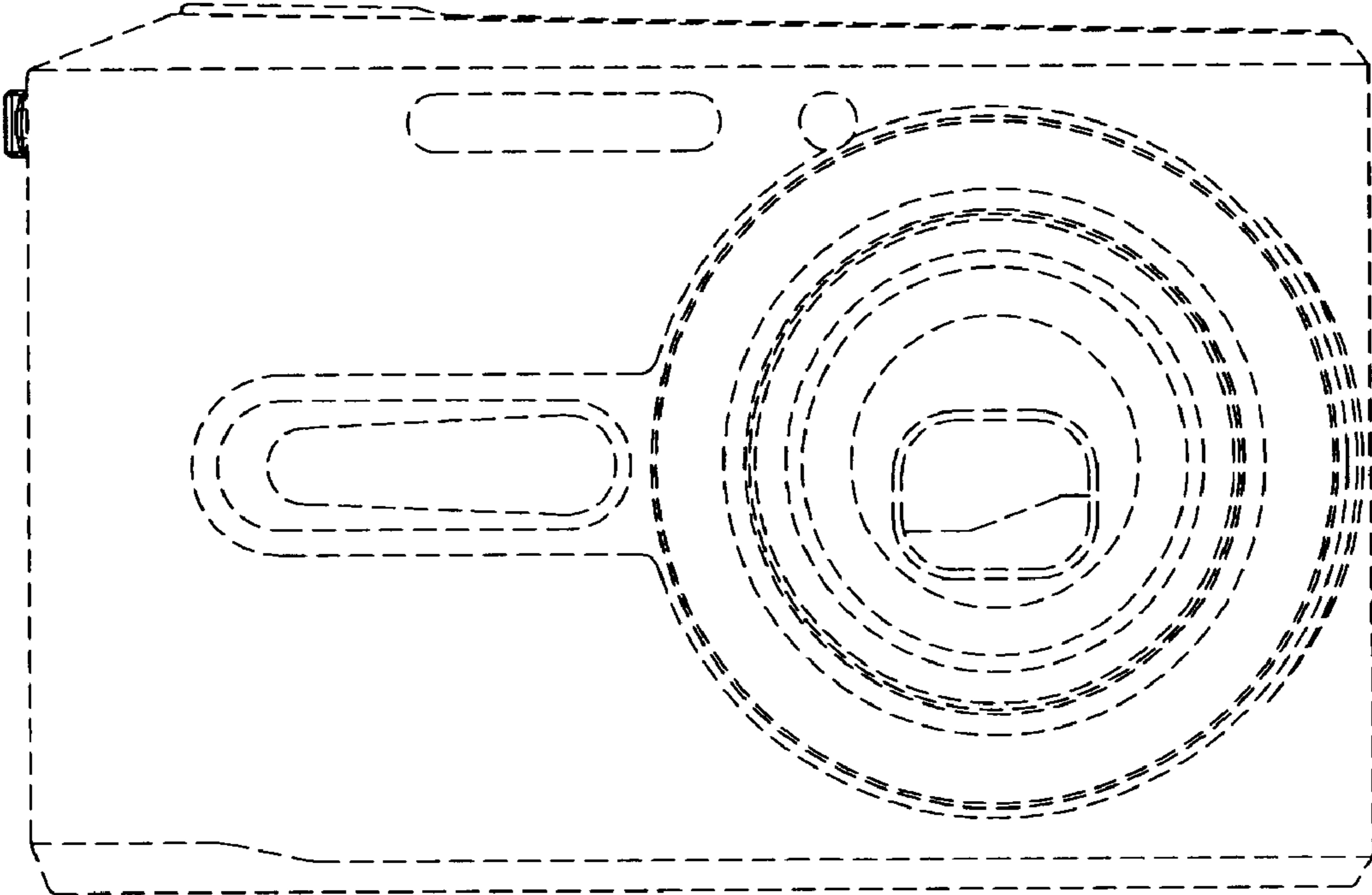


FIG. 3

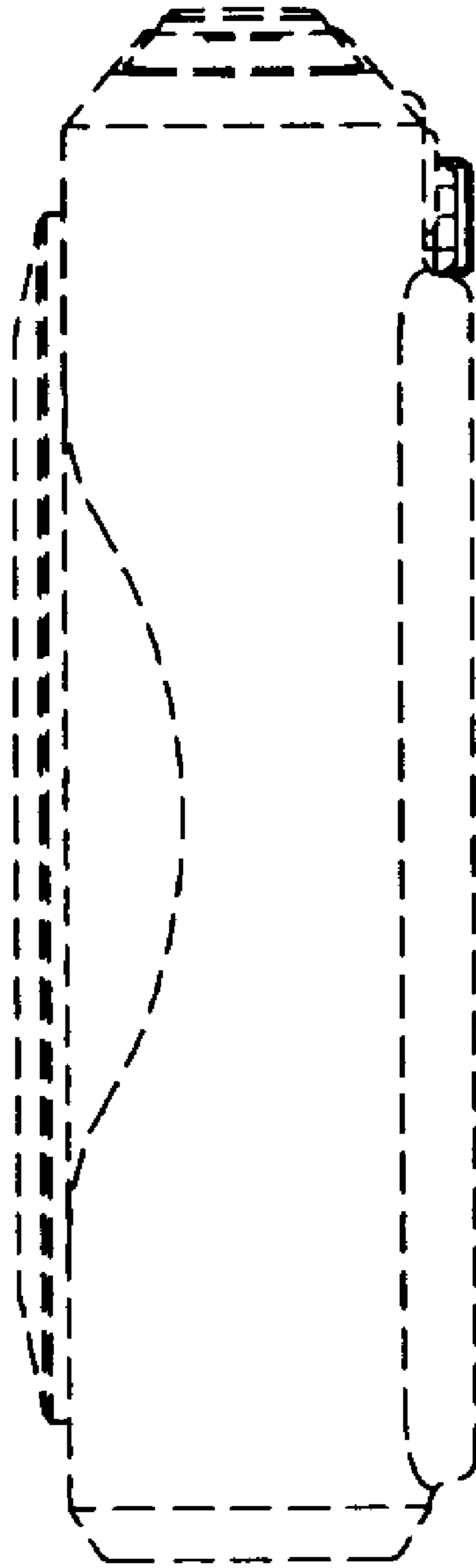


FIG. 4

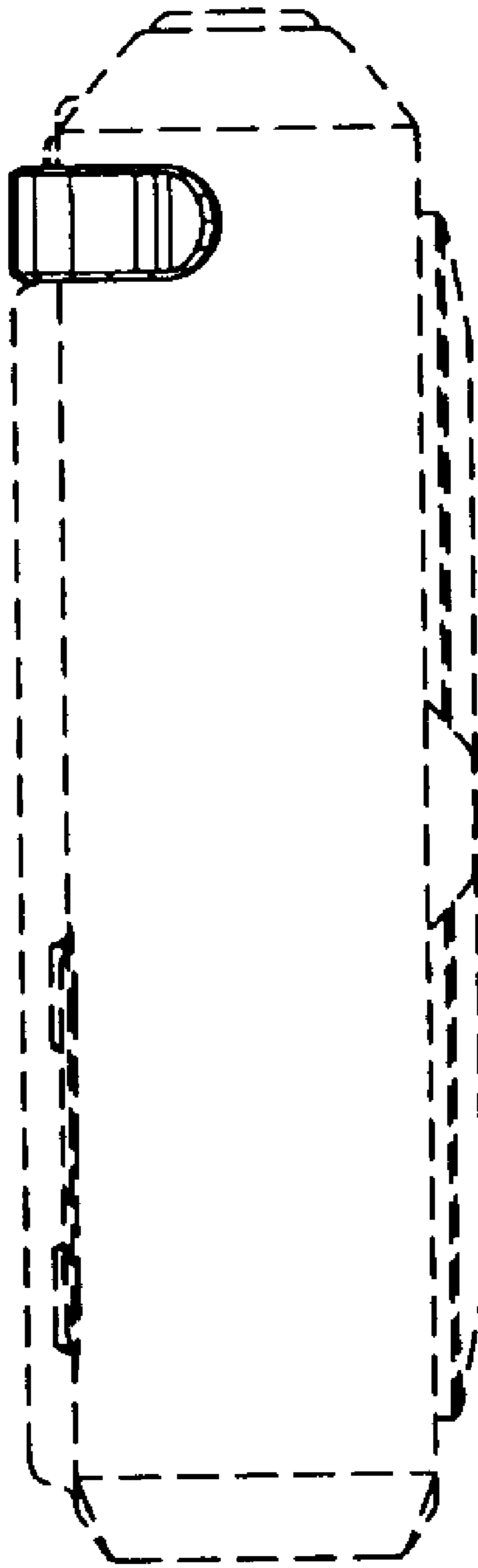


FIG. 5

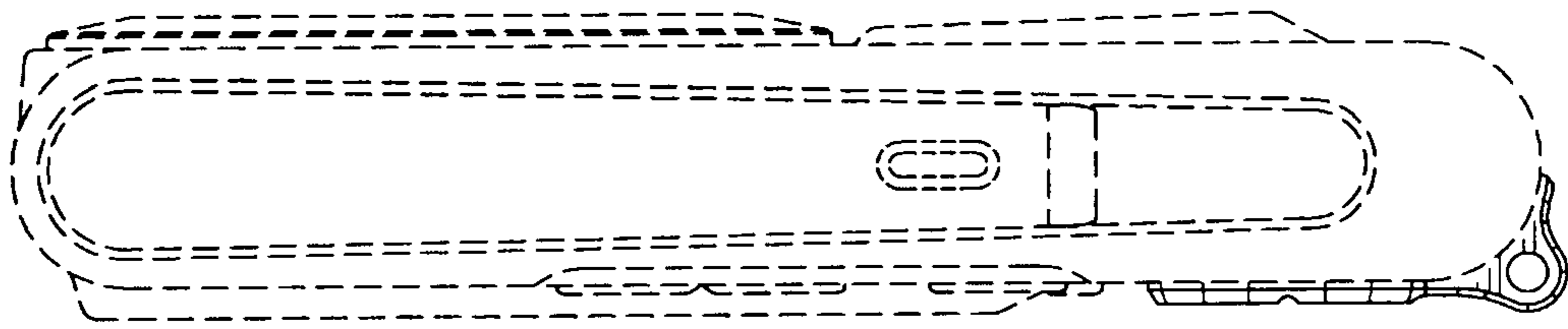


FIG. 6

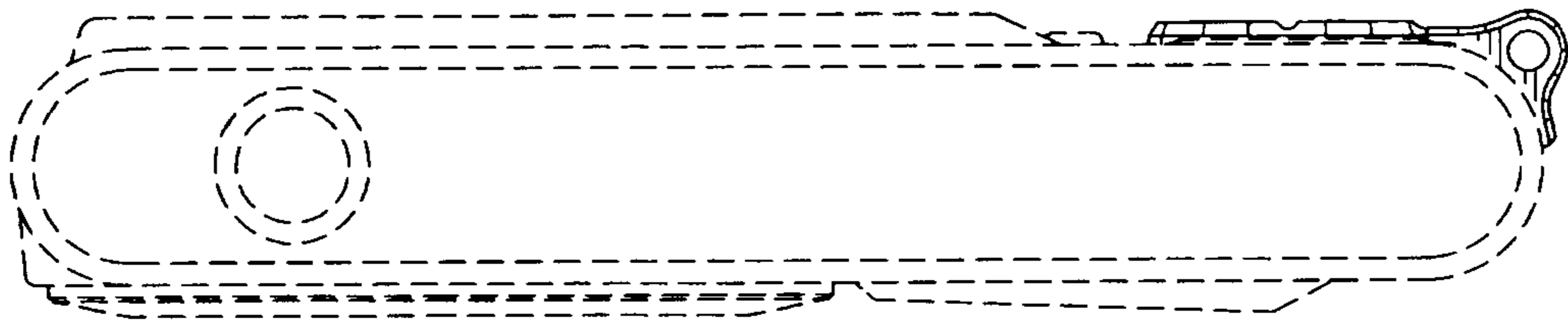


FIG. 7