



US00D524348S

(12) **United States Design Patent**  
**Nagayama et al.**

(10) **Patent No.:** **US D524,348 S**

(45) **Date of Patent:** **\*\* Jul. 4, 2006**

(54) **DIGITAL CAMERA**

(75) Inventors: **Yosuke Nagayama**, Tokyo (JP);  
**Norihito Hanafusa**, Machida (JP)

(73) Assignee: **Casio Keisanki Kabushiki Kaisha**,  
Tokyo (JP)

(\*\*) Term: **14 Years**

(21) Appl. No.: **29/222,807**

(22) Filed: **Feb. 4, 2005**

(51) **LOC (8) Cl.** ..... **16-05**

(52) **U.S. Cl.** ..... **D16/219; D16/202**

(58) **Field of Classification Search** ..... D16/200–204,  
D16/208, 209, 218, 219; 348/373–376; 358/906,  
358/909.1; 396/353–541

See application file for complete search history.

(56) **References Cited**

**U.S. PATENT DOCUMENTS**

D430,186 S	*	8/2000	Suzuki et al.	.....	D16/218
D467,603 S	*	12/2002	Senda	.....	D16/219
D486,172 S	*	2/2004	Senda	.....	D16/219
D495,351 S	*	8/2004	Yi	.....	D16/202

D495,352 S	*	8/2004	Sakaguchi et al.	.....	D16/202
D500,069 S	*	12/2004	Hayashi	.....	D16/219
D502,480 S	*	3/2005	Nagayama	.....	D16/202
D508,512 S	*	8/2005	Suzuki	.....	D16/219

\* cited by examiner

*Primary Examiner*—Adir Aronovich

(74) *Attorney, Agent, or Firm*—Frishauf, Holtz, Goodman  
& Chick, P.C.

(57) **CLAIM**

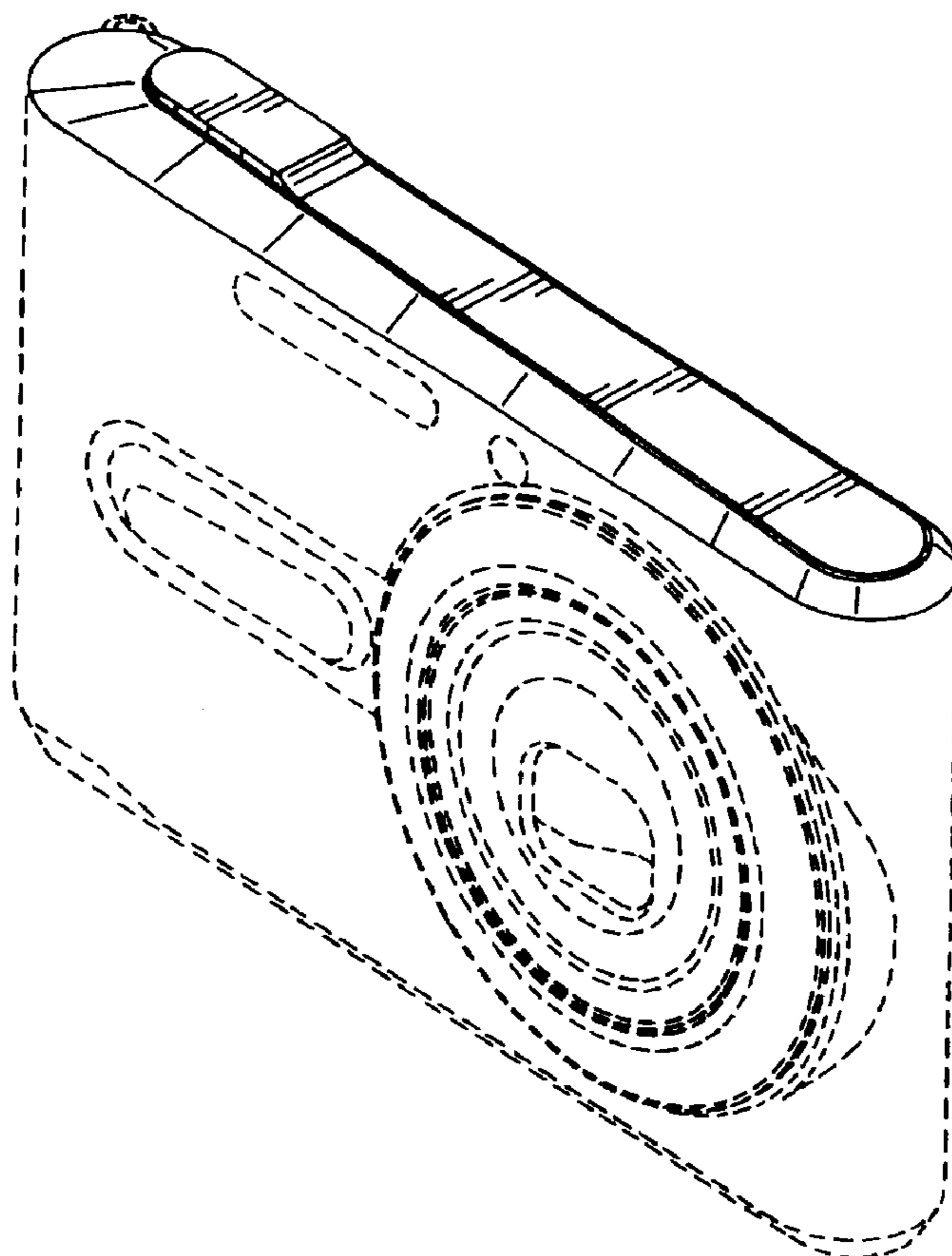
The ornamental design for a digital camera, as shown and described.

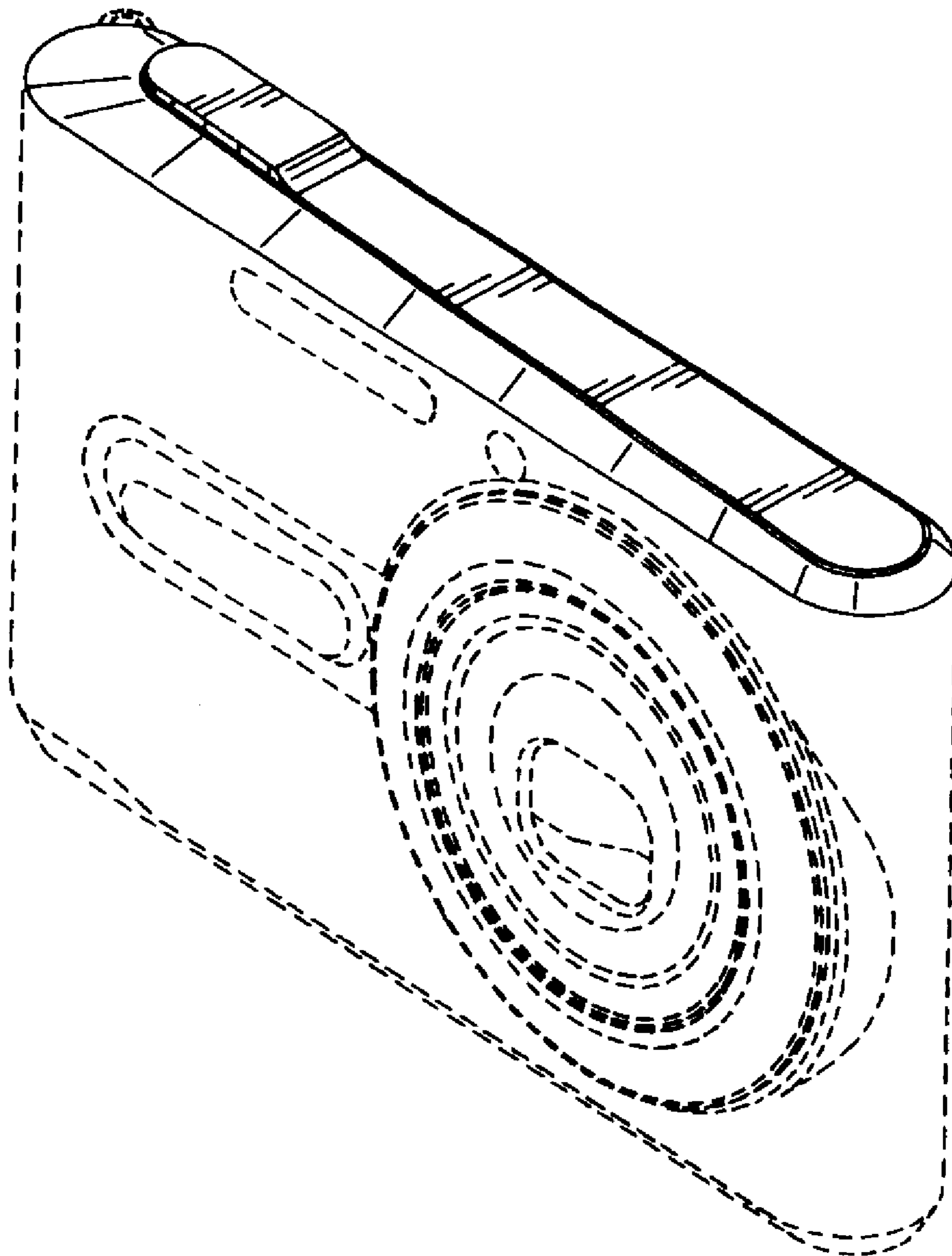
**DESCRIPTION**

FIG. 1 is a reduced scale front, right side, top perspective view of a digital camera showing our new design; FIG. 2 is a front elevational view thereof; FIG. 3 is a rear elevational view thereof; FIG. 4 is a left side view thereof; FIG. 5 is a right side view thereof; FIG. 6 is a top plan view thereof; and, FIG. 7 is a bottom plan view thereof.

The broken line showings are for illustrative purposes only and form no part of the claimed design.

**1 Claim, 6 Drawing Sheets**





**FIG. 1**

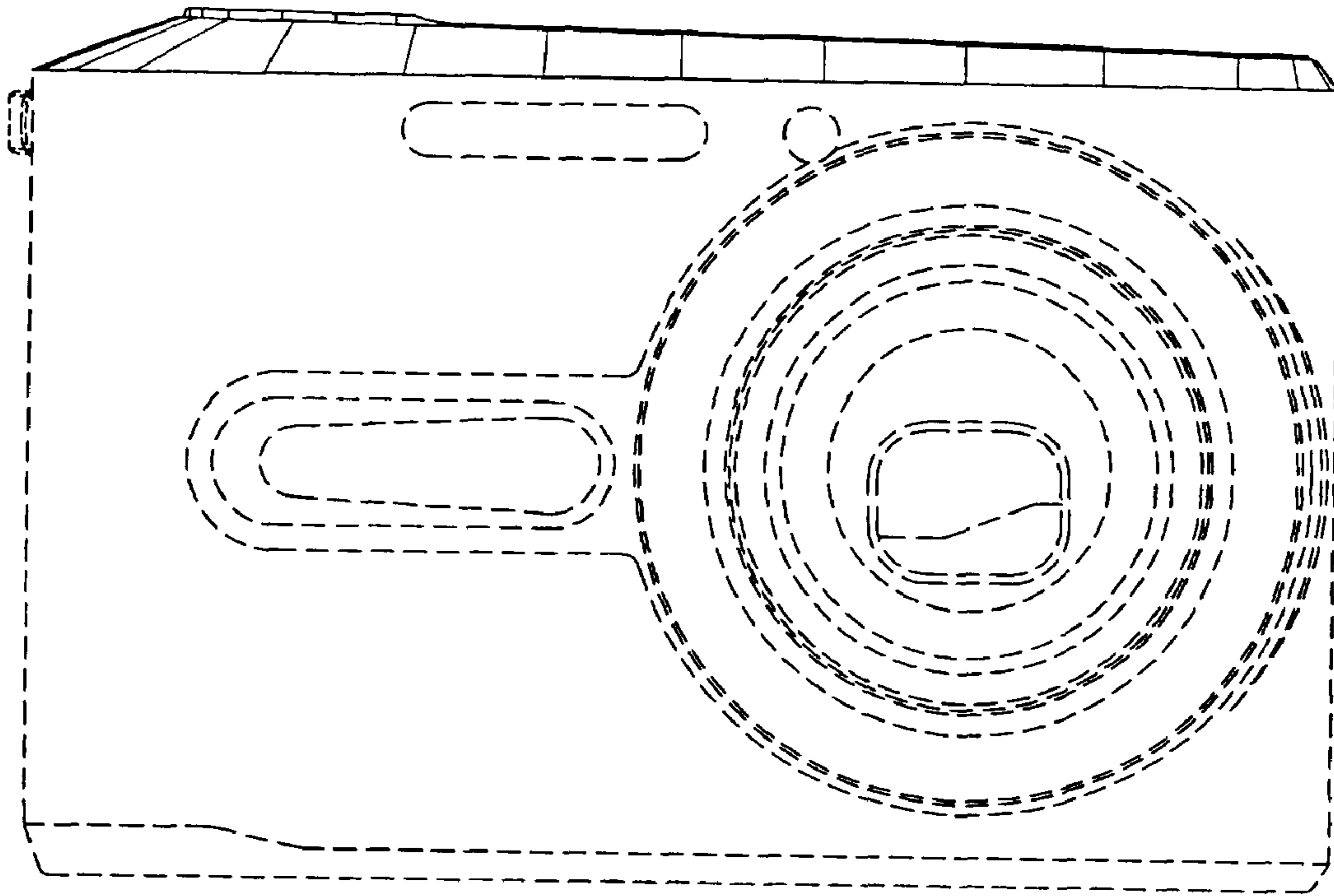


FIG. 2

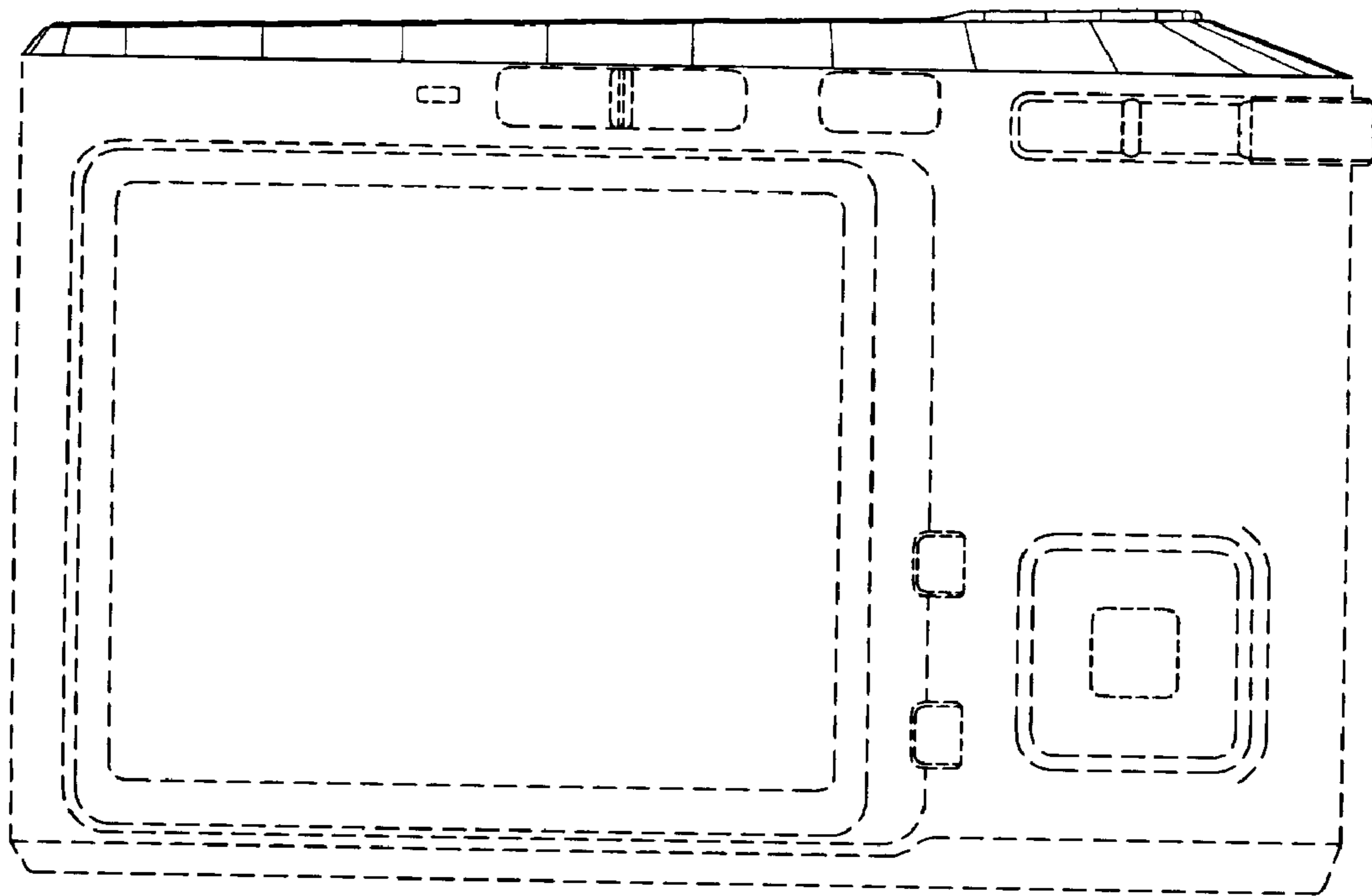


FIG. 3



**FIG. 4**

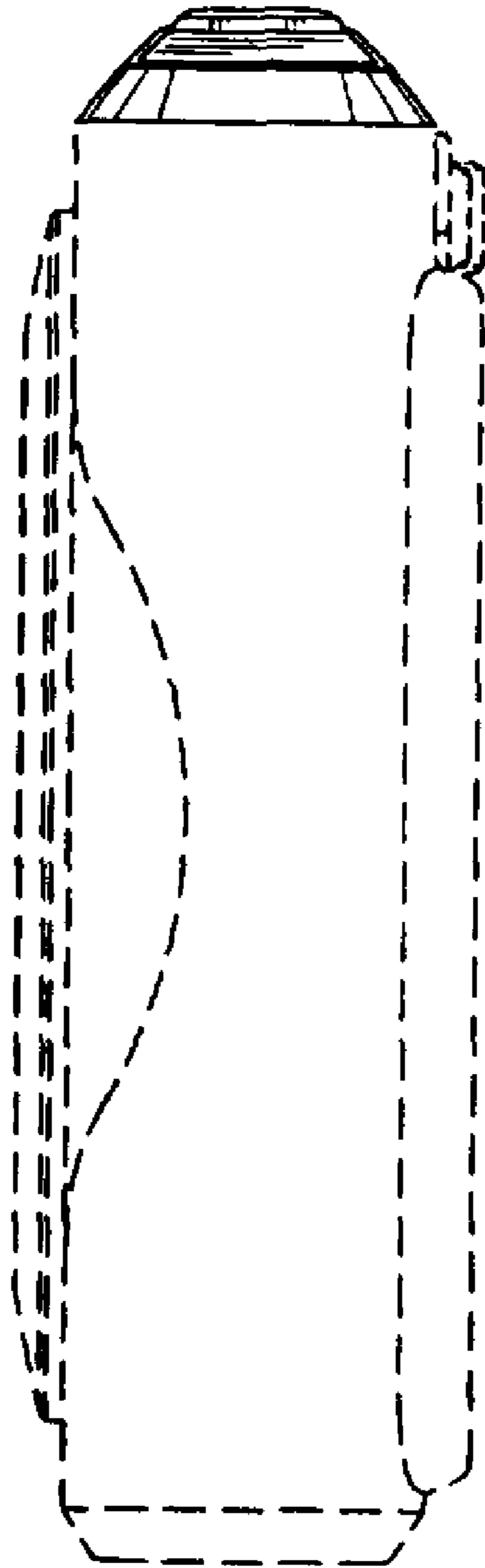


FIG. 5

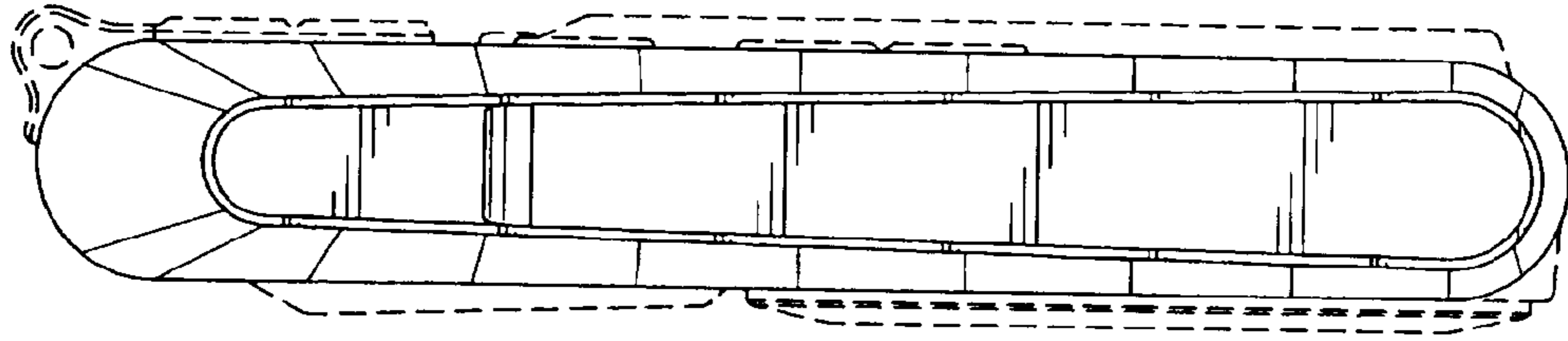


FIG. 6

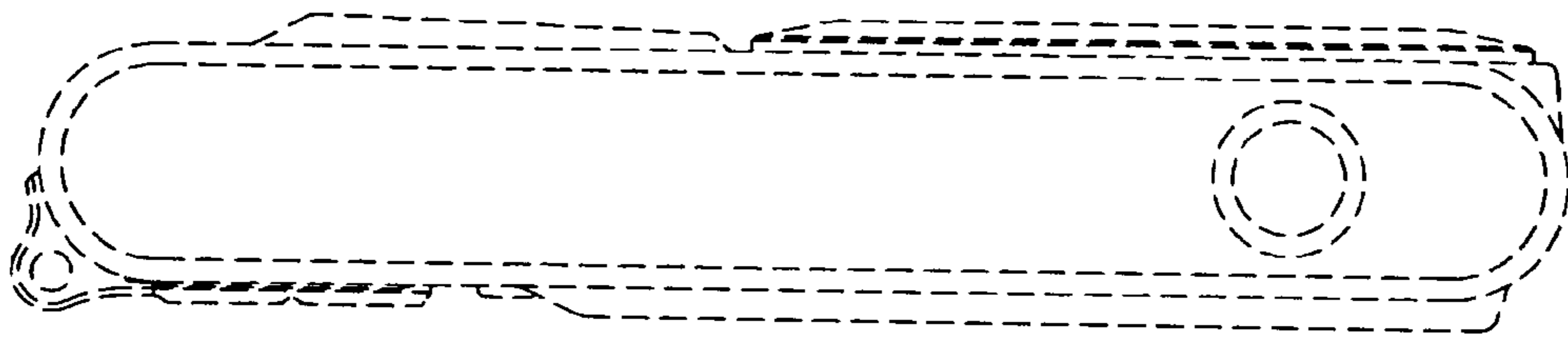


FIG. 7