



US00D524347S

(12) **United States Design Patent**  
**Takahashi**

(10) **Patent No.:** **US D524,347 S**

(45) **Date of Patent:** **\*\* Jul. 4, 2006**

(54) **VIDEO CAMERA**

6,683,654 B1 \* 1/2004 Haijima ..... 348/374

(75) Inventor: **Hitoshi Takahashi**, Tokyo (JP)

(73) Assignee: **Sony Corporation**, Tokyo (JP)

(\*\*) Term: **14 Years**

(21) Appl. No.: **29/221,020**

(22) Filed: **Jan. 11, 2005**

(51) **LOC (8) Cl.** ..... **16-01**

(52) **U.S. Cl.** ..... **D16/203; D16/202**

(58) **Field of Classification Search** ..... D16/200–205,  
D16/208, 218; 348/373–376; 358/906, 909.1;  
396/427, 535, 536–541

See application file for complete search history.

(56) **References Cited**

**U.S. PATENT DOCUMENTS**

4,394,692	A	*	7/1983	Randmae et al.	.....	348/374
D303,674	S	*	9/1989	Shimizu et al.	.....	D16/202
D307,915	S	*	5/1990	Kuester, III	.....	D16/203
D386,196	S	*	11/1997	Ikenaga	.....	D16/203
D410,936	S		6/1999	Isono	.....	D16/202
D418,853	S		1/2000	Kubota	.....	D16/203
D426,844	S	*	6/2000	Fujii	.....	D16/203
6,671,462	B1	*	12/2003	Misawa	.....	396/539

**OTHER PUBLICATIONS**

Web page “123 Security Products CCTV Super Store”  
<http://www.123securityproducts.com/1> sheet, CCTV Super Store (Dec. 2004).

Web page “JVC, TK-C920U” <http://www.jvcpro.com/> 2 sheets, JVC (Dec. 2004).

\* cited by examiner

*Primary Examiner*—Adir Aronovich

(74) *Attorney, Agent, or Firm*—Rader, Fishman & Grauer PLLC

(57) **CLAIM**

The ornamental design for a video camera, as shown.

**DESCRIPTION**

FIG. 1 is a perspective view of a video camera showing my new design;

FIG. 2 is a front elevational view thereof;

FIG. 3 is a rear elevational view thereof;

FIG. 4 is a left side elevational view thereof;

FIG. 5 is a right side elevational view thereof;

FIG. 6 is a top plan view thereof; and,

FIG. 7 is a bottom plan view thereof.

**1 Claim, 5 Drawing Sheets**

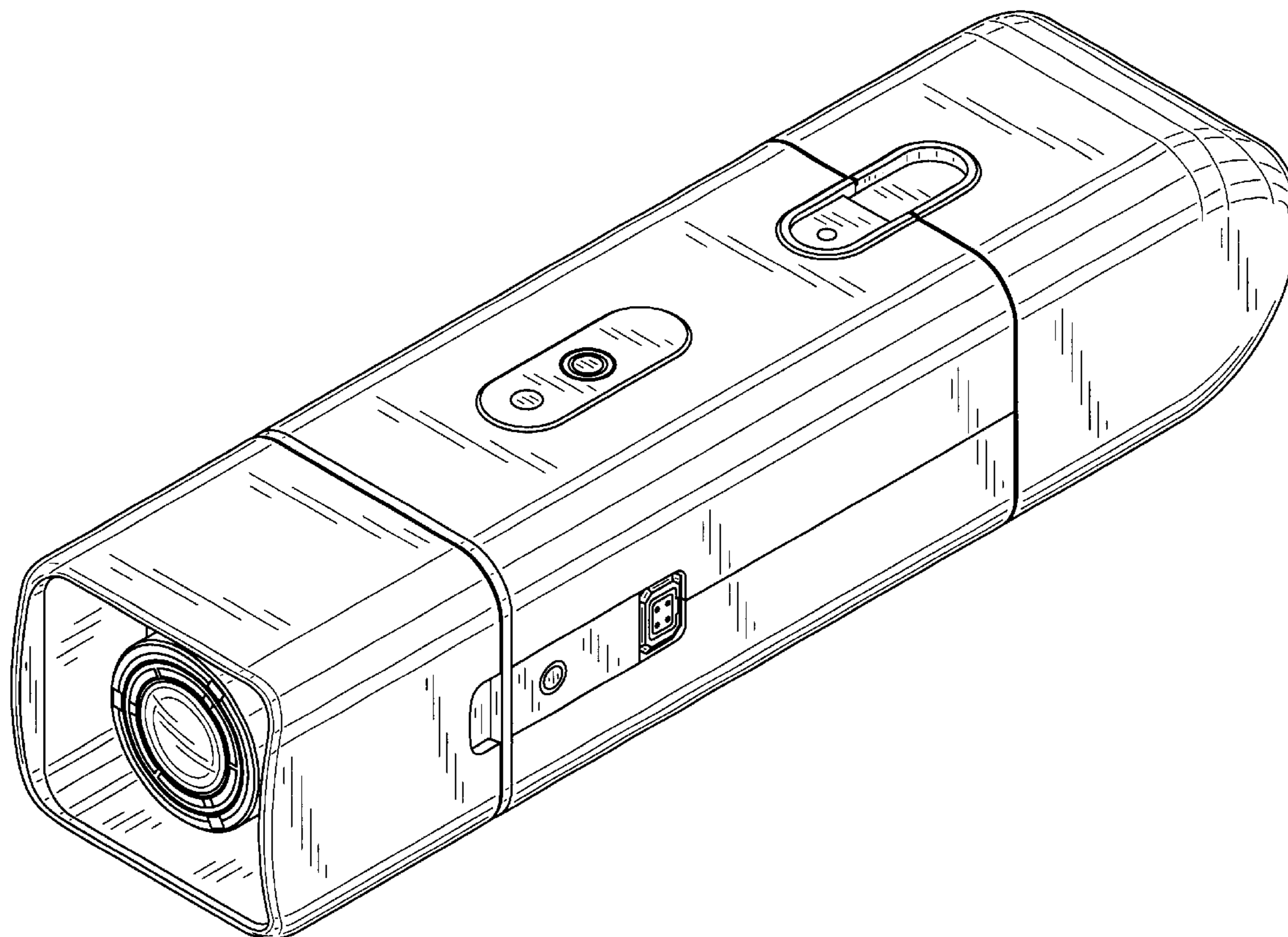


FIG.1

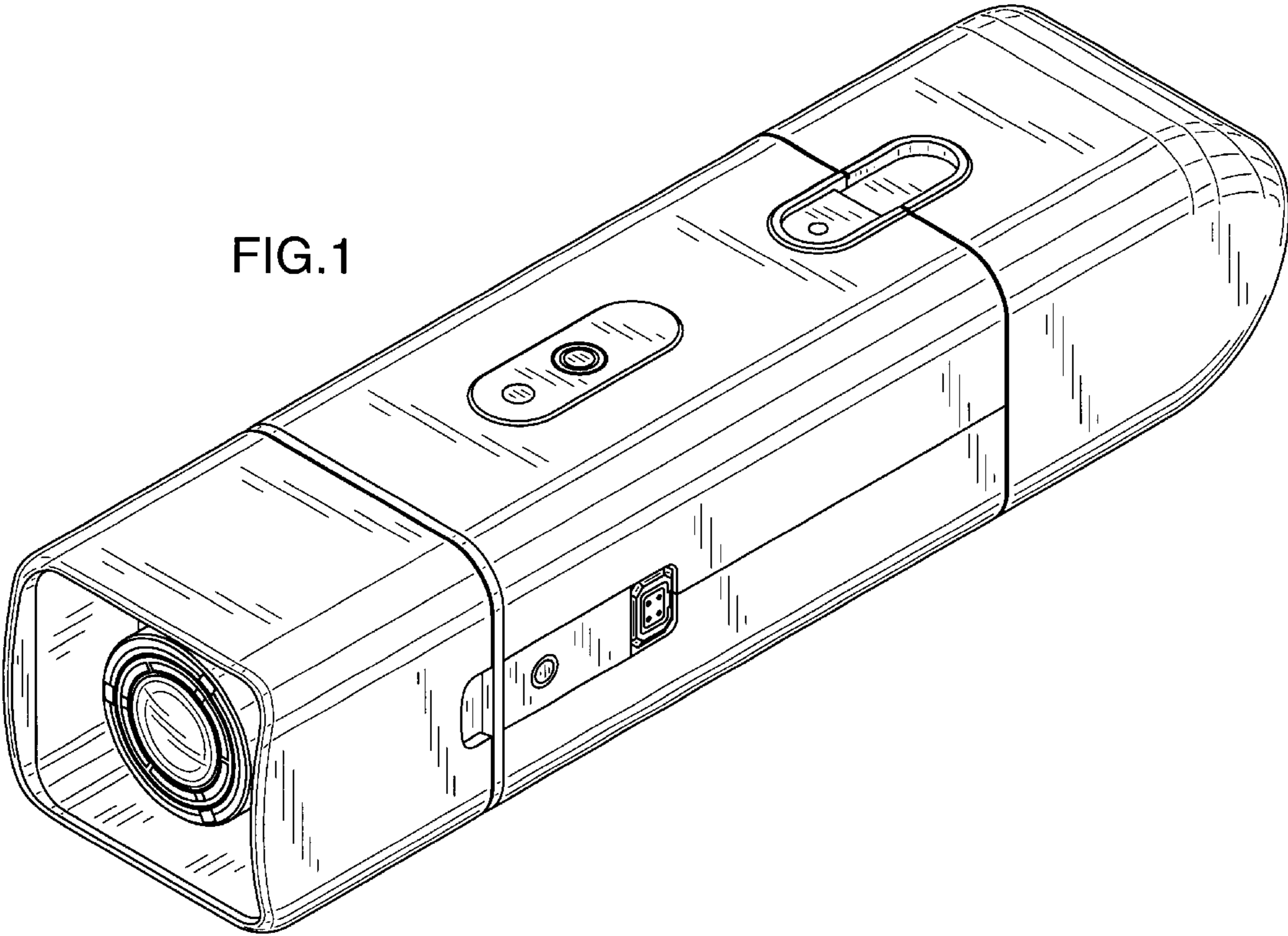


FIG.2

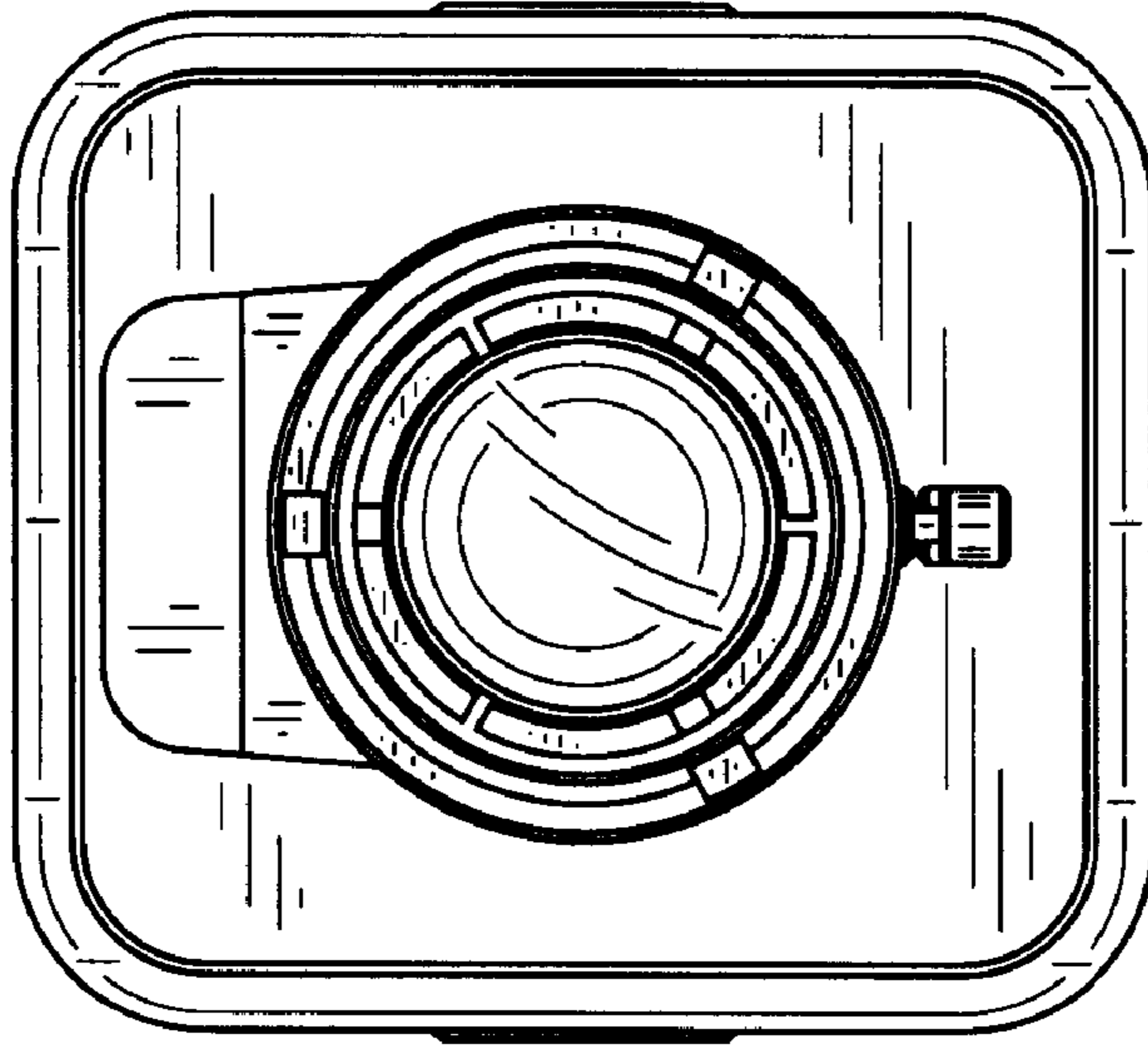


FIG.3

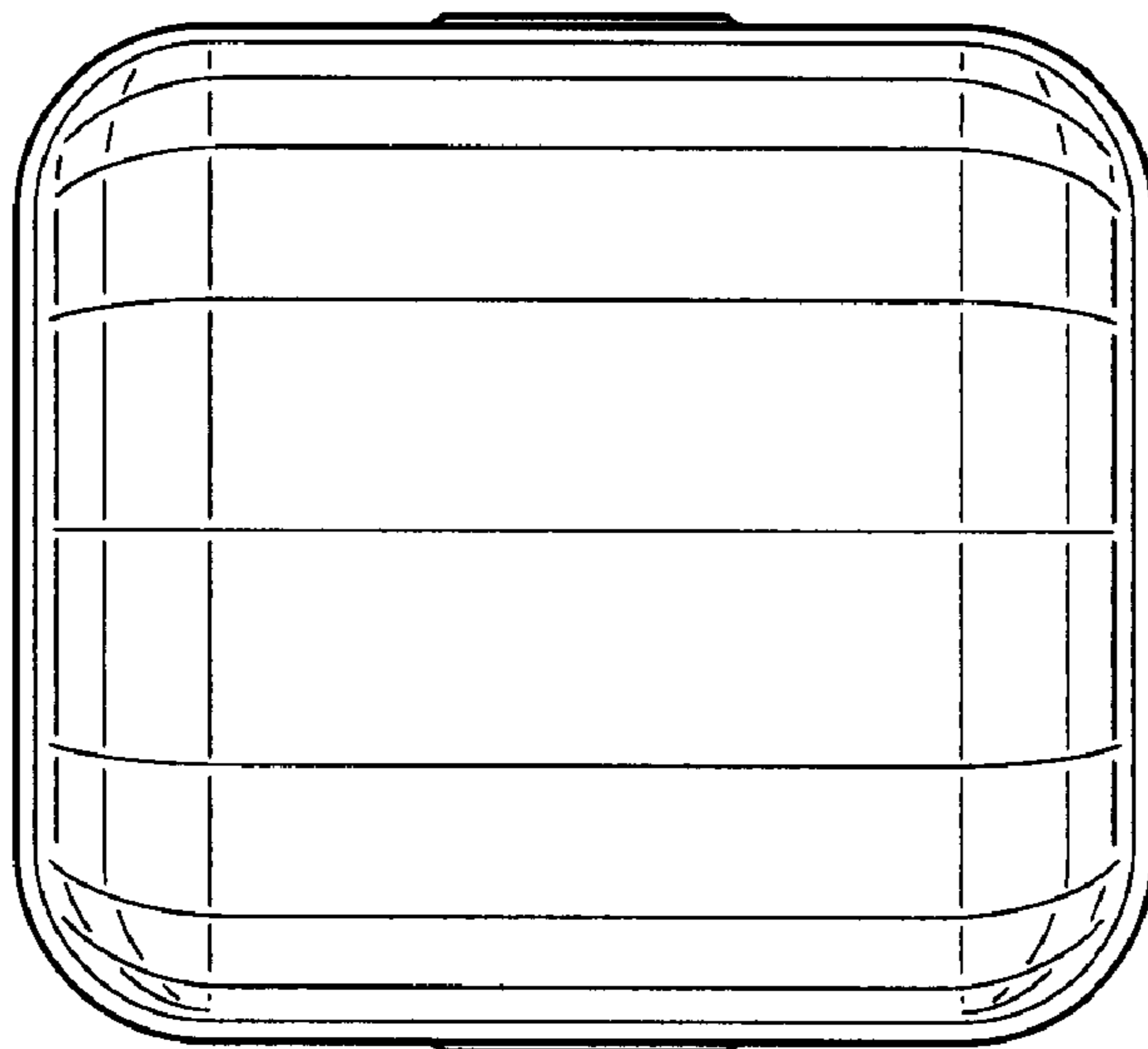


FIG.4

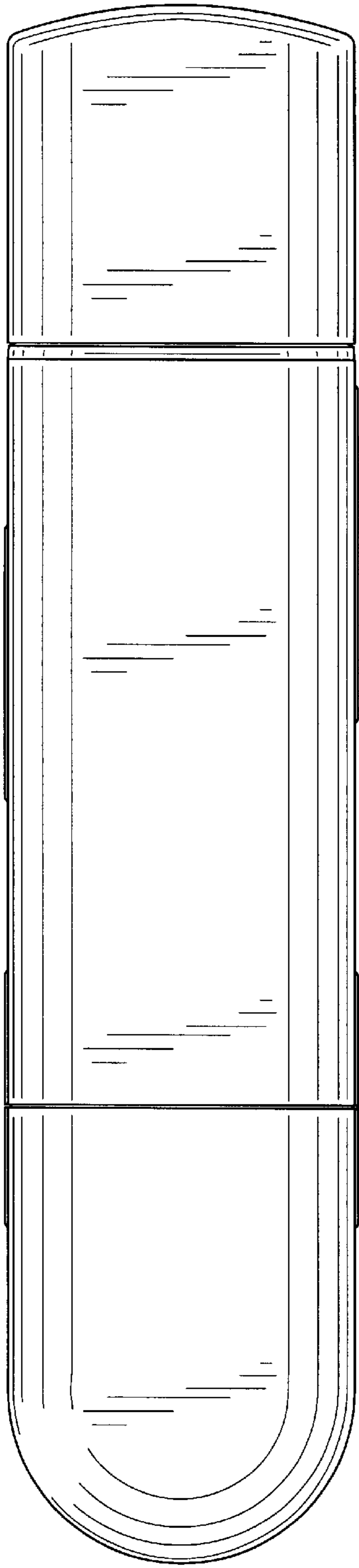


FIG.5

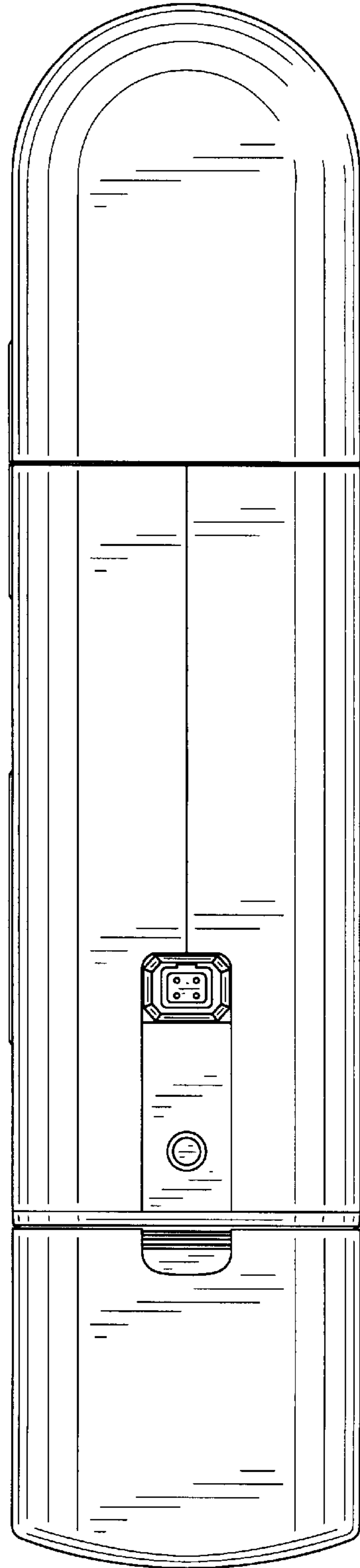


FIG.6

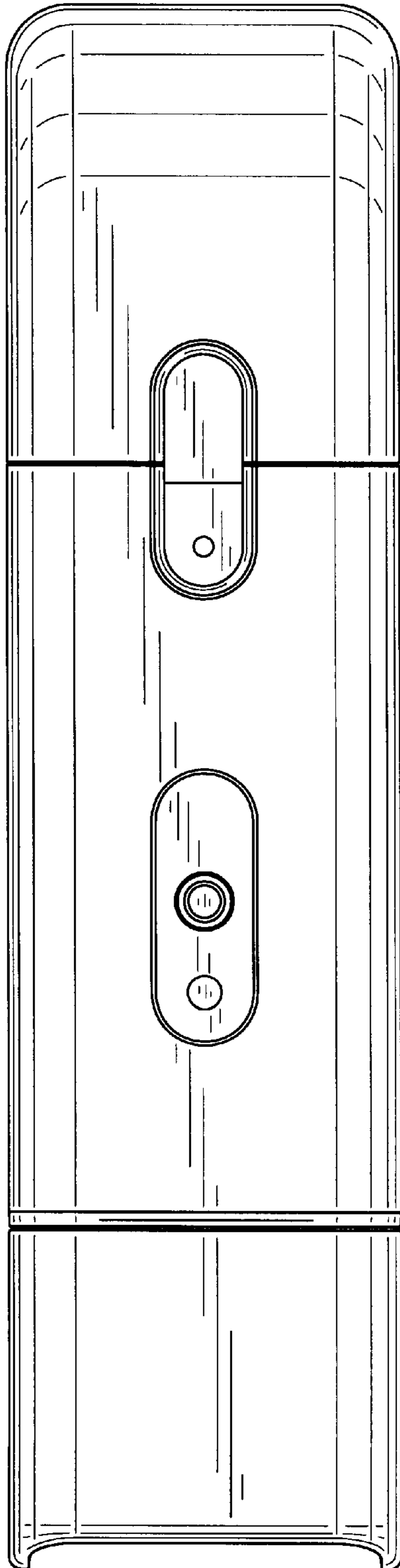
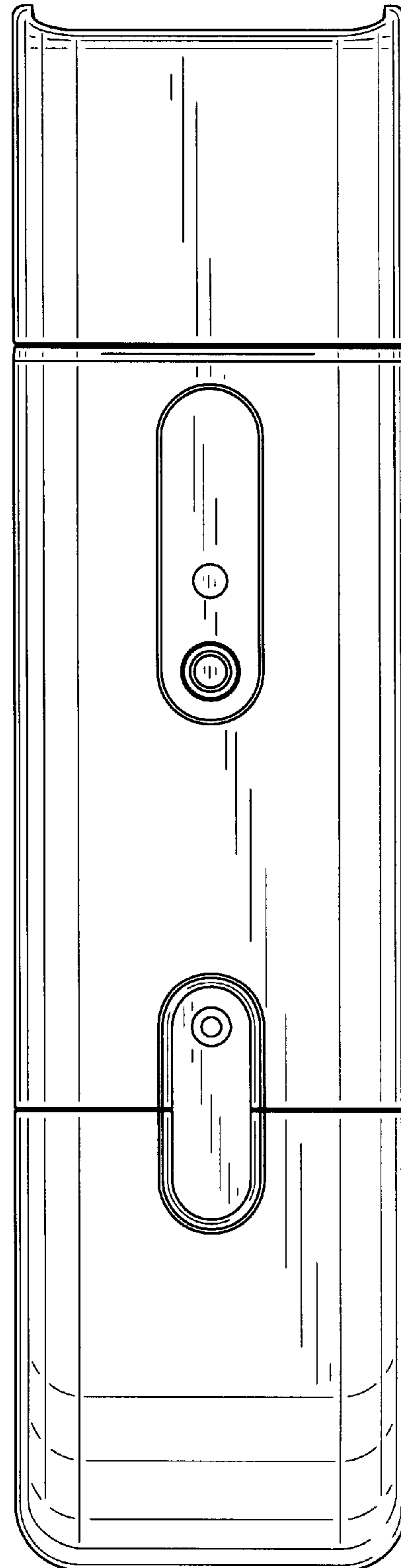


FIG.7





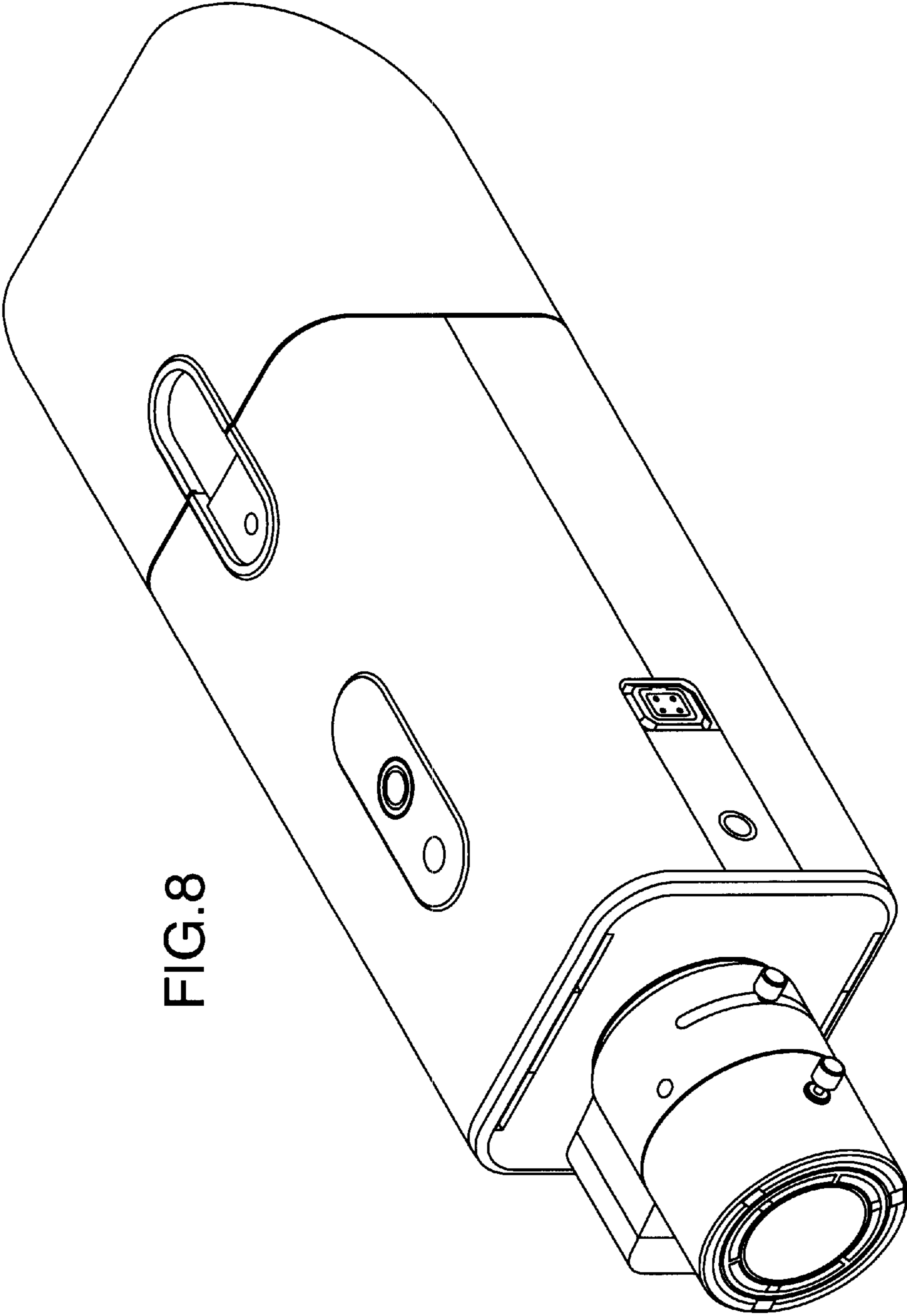


FIG. 8