



US00D524346S

(12) **United States Design Patent**
Haga

(10) **Patent No.:** **US D524,346 S**
(45) **Date of Patent:** **** Jul. 4, 2006**

(54) **DIGITAL CAMERA**

D505,684 S * 5/2005 Gotham et al. D16/202

(75) Inventor: **Masaaki Haga**, Tokyo (JP)

FOREIGN PATENT DOCUMENTS

(73) Assignee: **PENTAX Corporation**, Tokyo (JP)

JP 1187002 S 10/2003

(**) Term: **14 Years**

* cited by examiner

(21) Appl. No.: **29/224,609**

Primary Examiner—Ian Simmons
(74) *Attorney, Agent, or Firm*—Sughrue Mion, PLLC

(22) Filed: **Mar. 7, 2005**

(57) **CLAIM**

(30) **Foreign Application Priority Data**

The ornamental design for a digital camera, as shown and described.

Sep. 8, 2004 (JP) 2004-027295

DESCRIPTION

(51) **LOC (8) Cl.** **16-01**

(52) **U.S. Cl.** **D16/202; D16/217**

(58) **Field of Classification Search** D16/200–206,
D16/208, 216, 217, 218, 219; 348/373–376;
358/909.1; 396/177, 354, 535–541

See application file for complete search history.

FIG. 1 is a perspective view of the top, front, and right side of a digital camera showing my new design; FIG. 2 is a front elevational view thereof; FIG. 3 is a rear elevational view thereof; FIG. 4 is a right side elevational view thereof; FIG. 5 is a left side elevational view thereof; FIG. 6 is a top plan view thereof; FIG. 7 is a bottom plan view thereof; FIG. 8 is a perspective reference view of the top, front, and right side thereof showing an open state of a strobe flash; and, FIG. 9 is a perspective reference view of the top, rear, and left side thereof showing an open state of the strobe flash.

(56) **References Cited**

U.S. PATENT DOCUMENTS

6,351,609 B1 * 2/2002 Hosokawa et al. 396/177
D482,713 S * 11/2003 Hayashi D16/217
D486,508 S * 2/2004 Shimobayashi D16/202
D487,105 S * 2/2004 Takahashi D16/217
D491,593 S * 6/2004 Haga D16/202
D497,173 S * 10/2004 Ogura D16/202

1 Claim, 9 Drawing Sheets

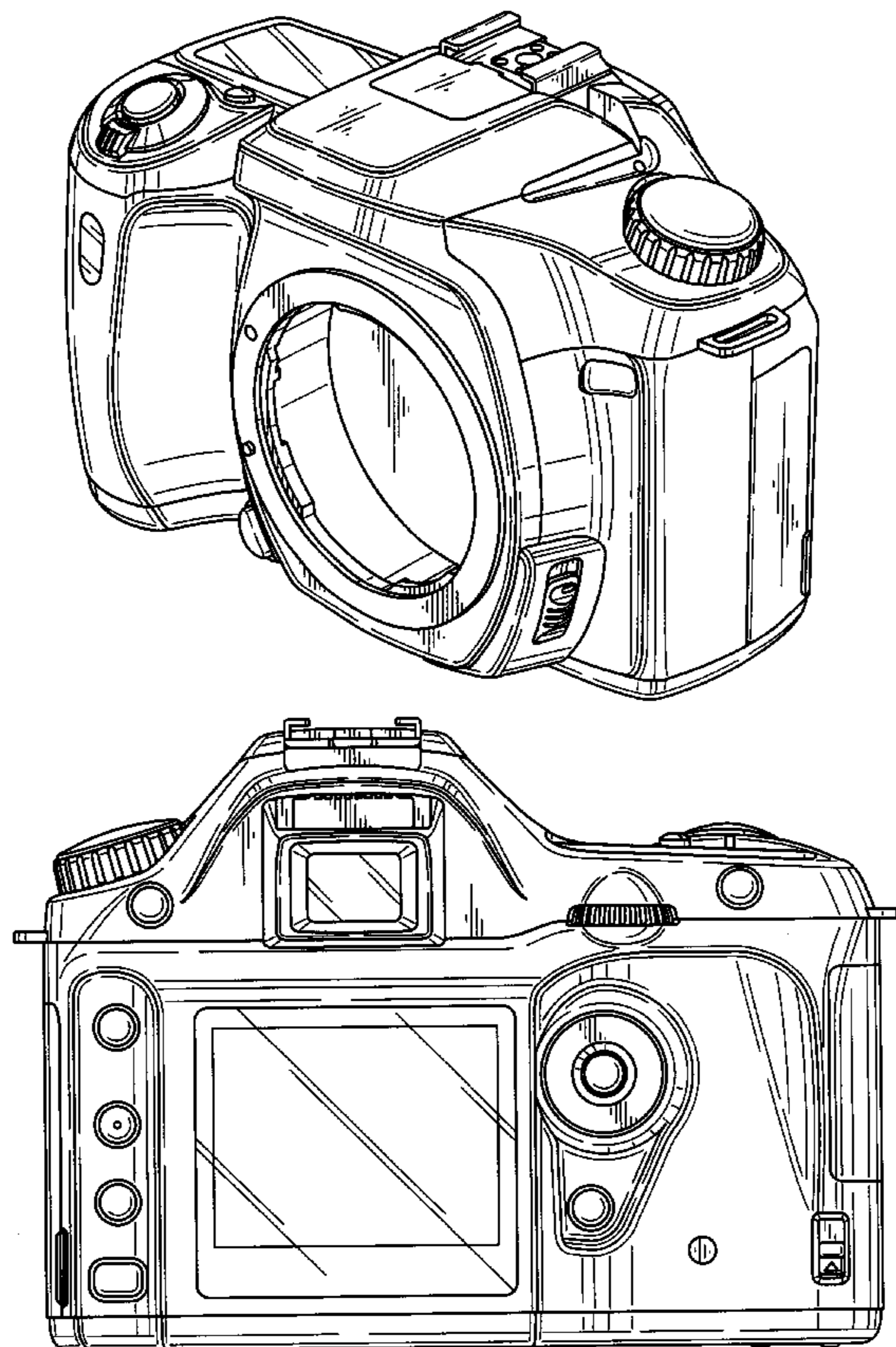


FIG. 1

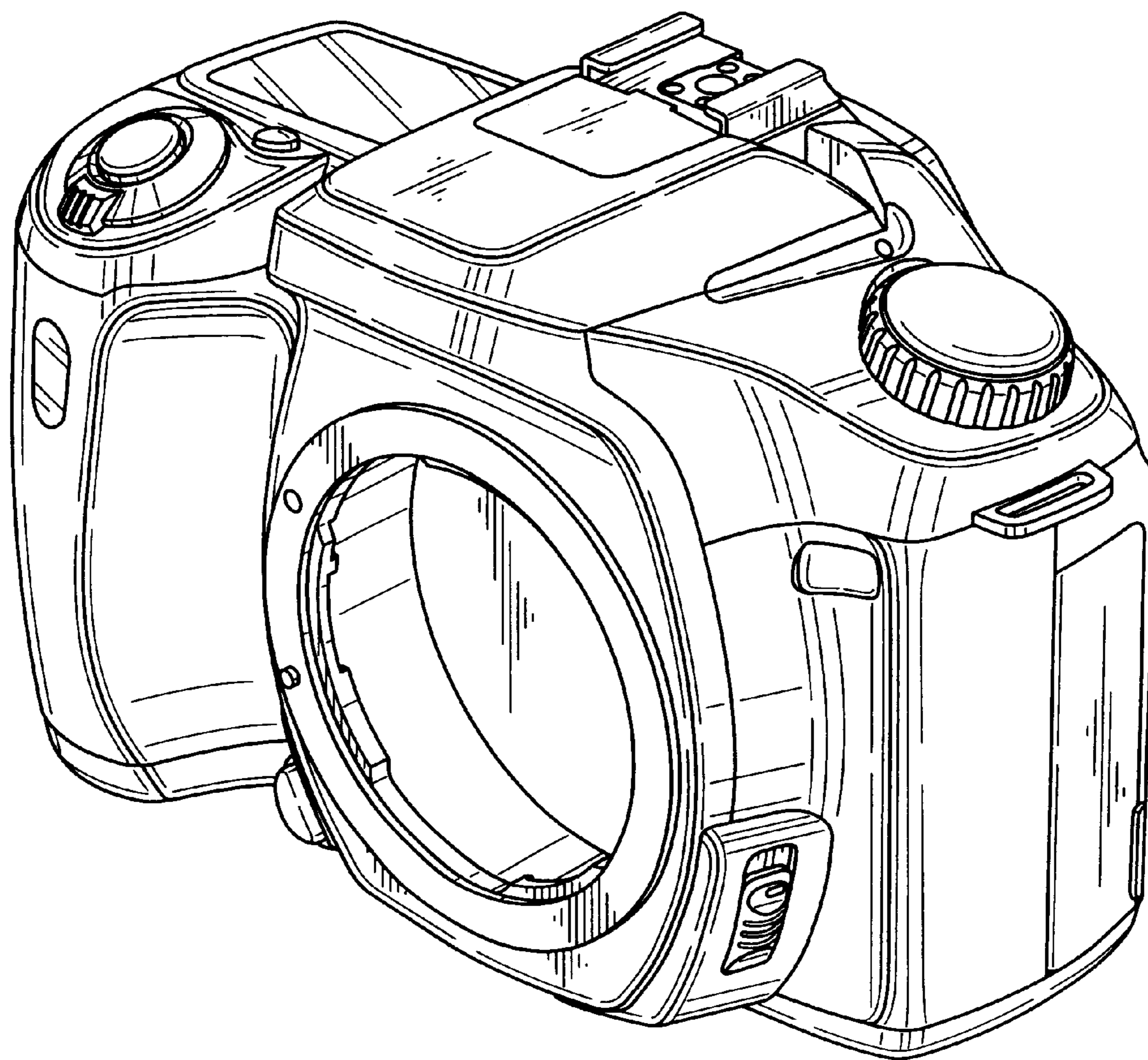


FIG. 2

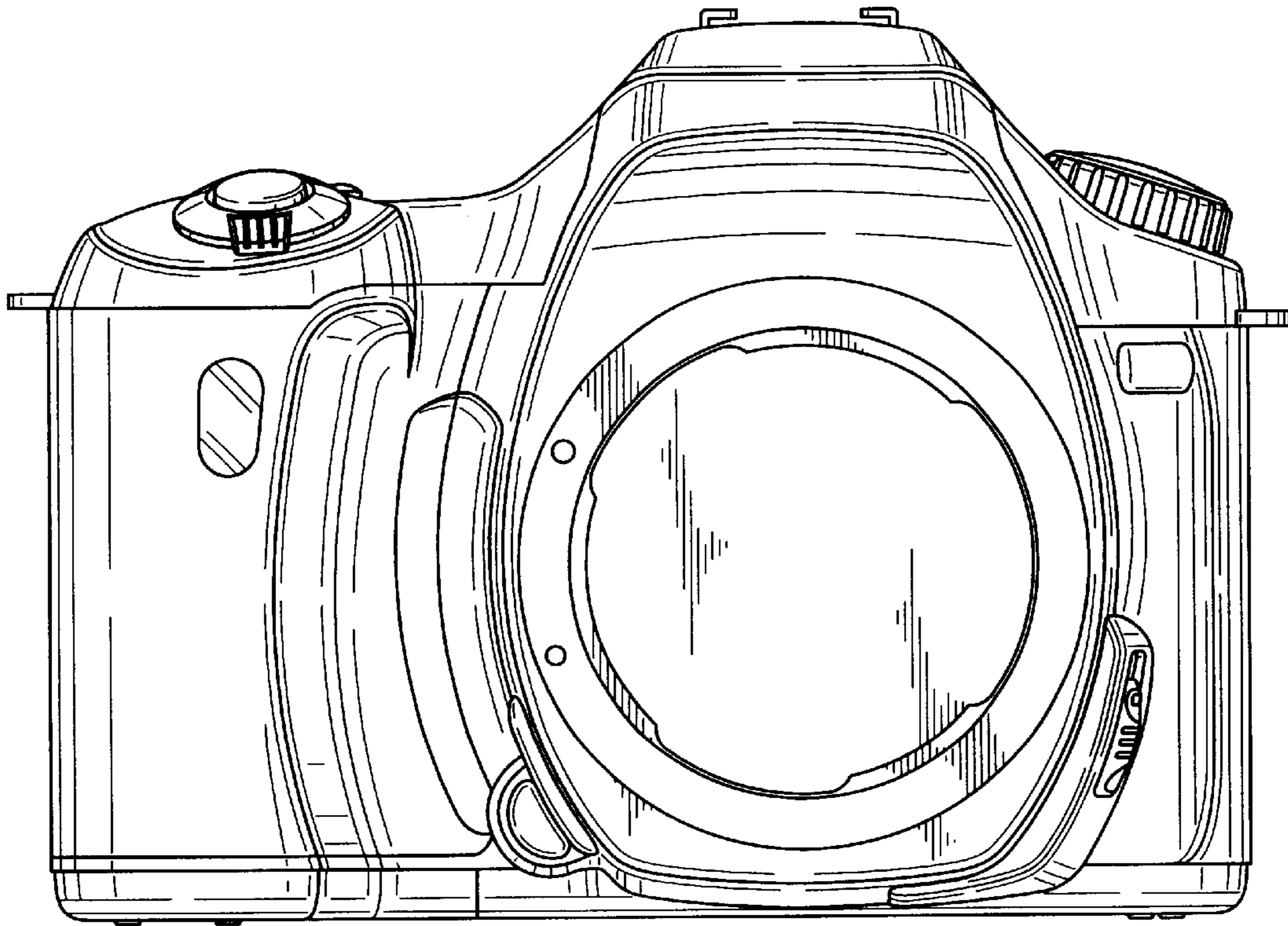


FIG. 3

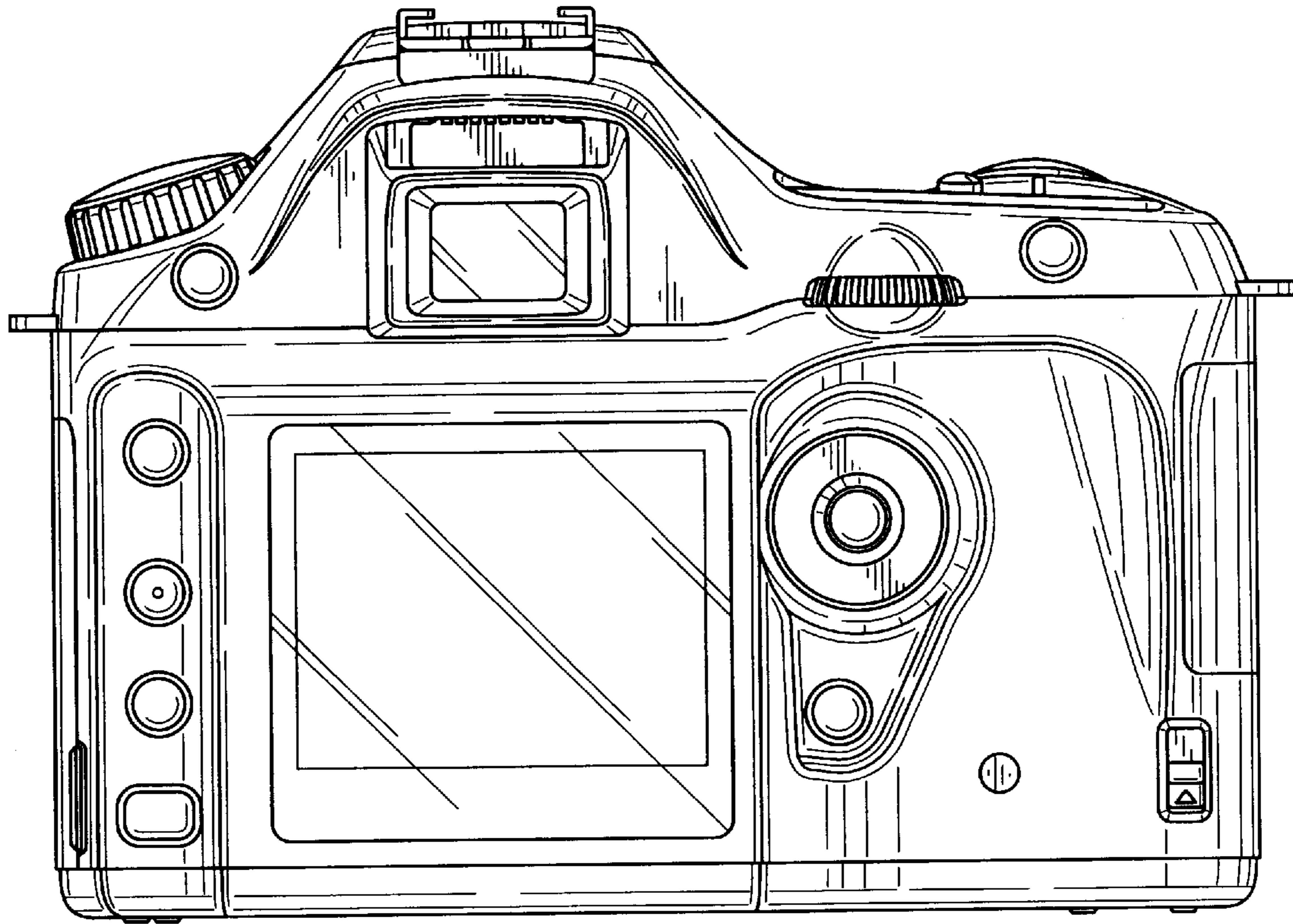


FIG. 4

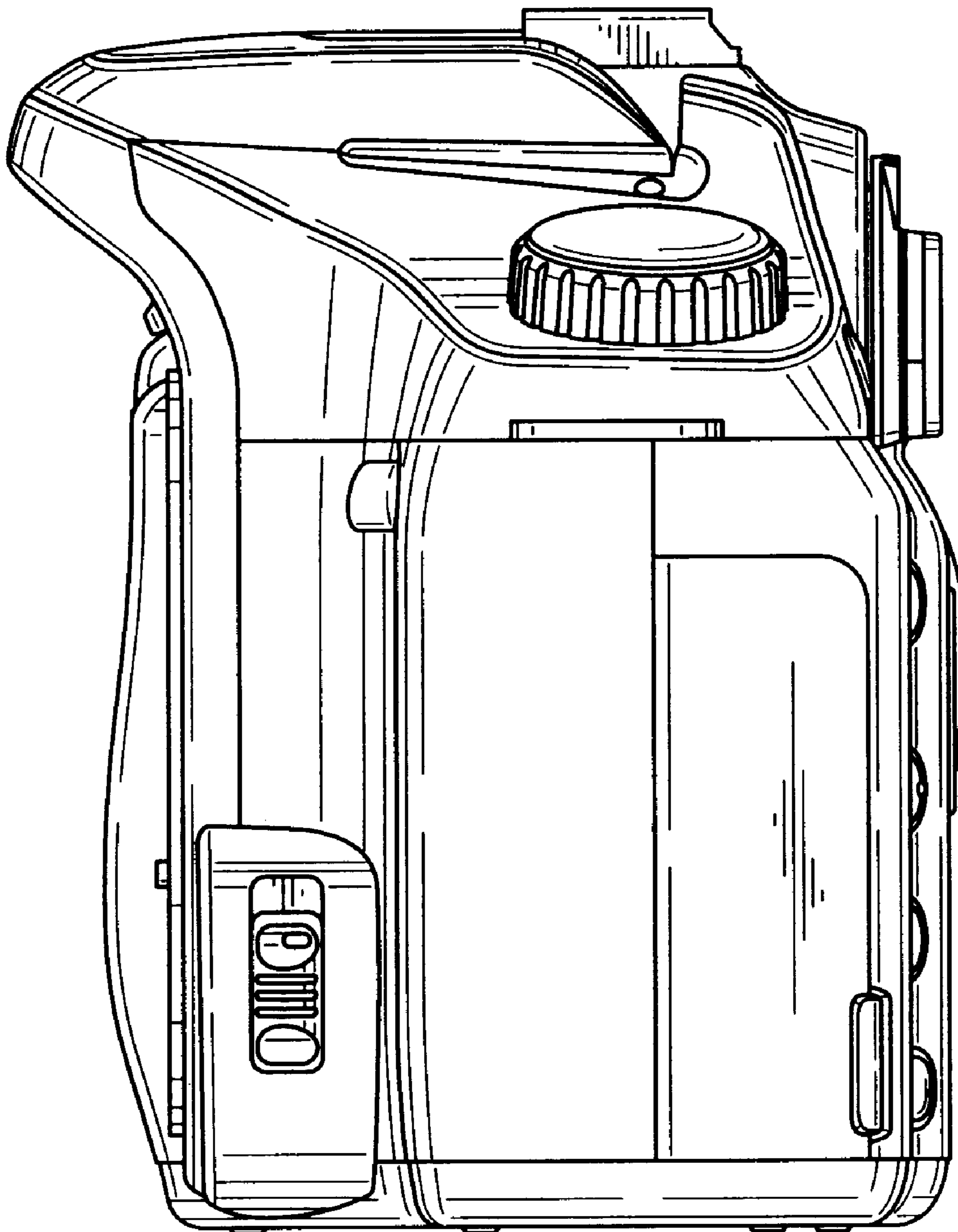


FIG. 5

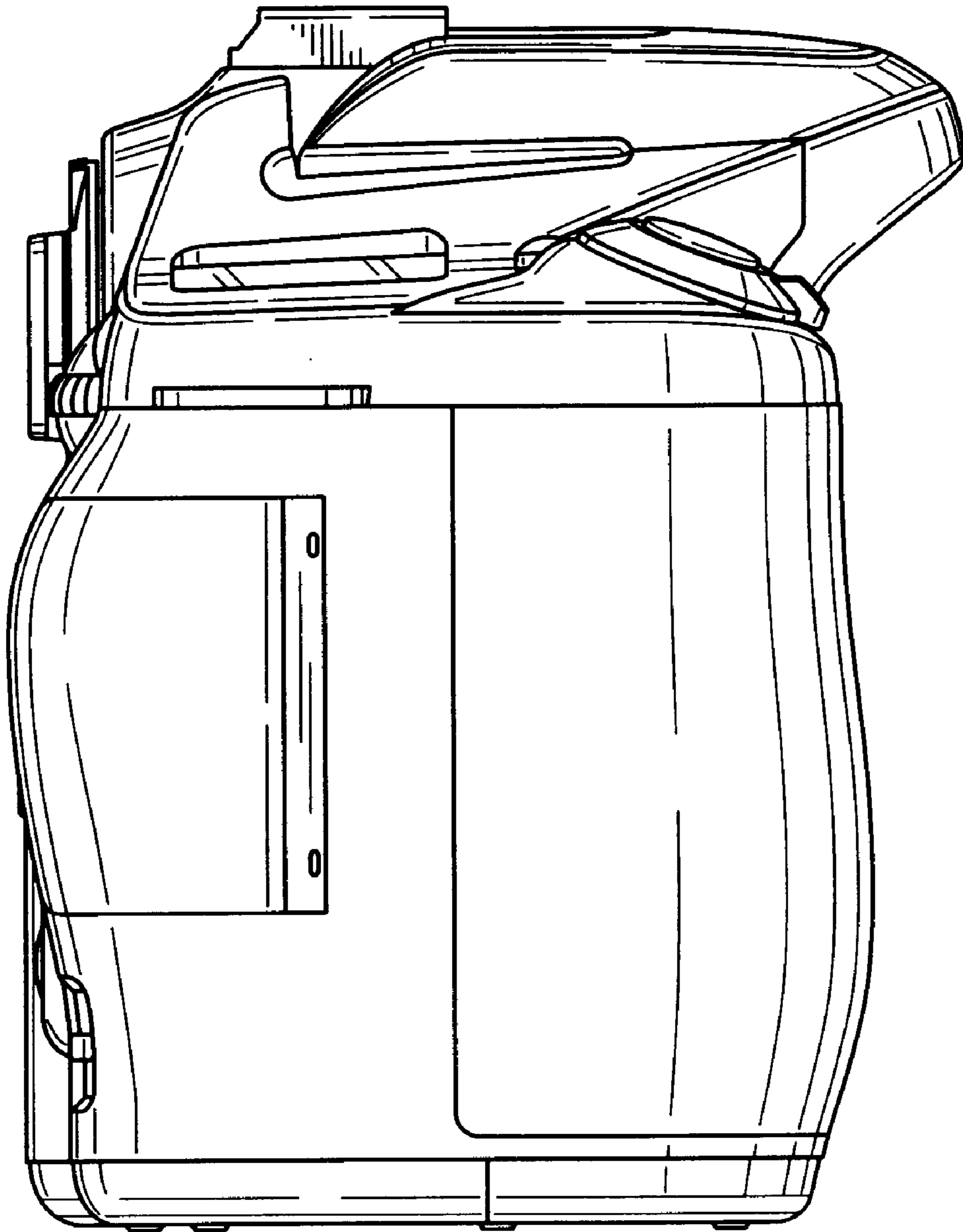


FIG. 6

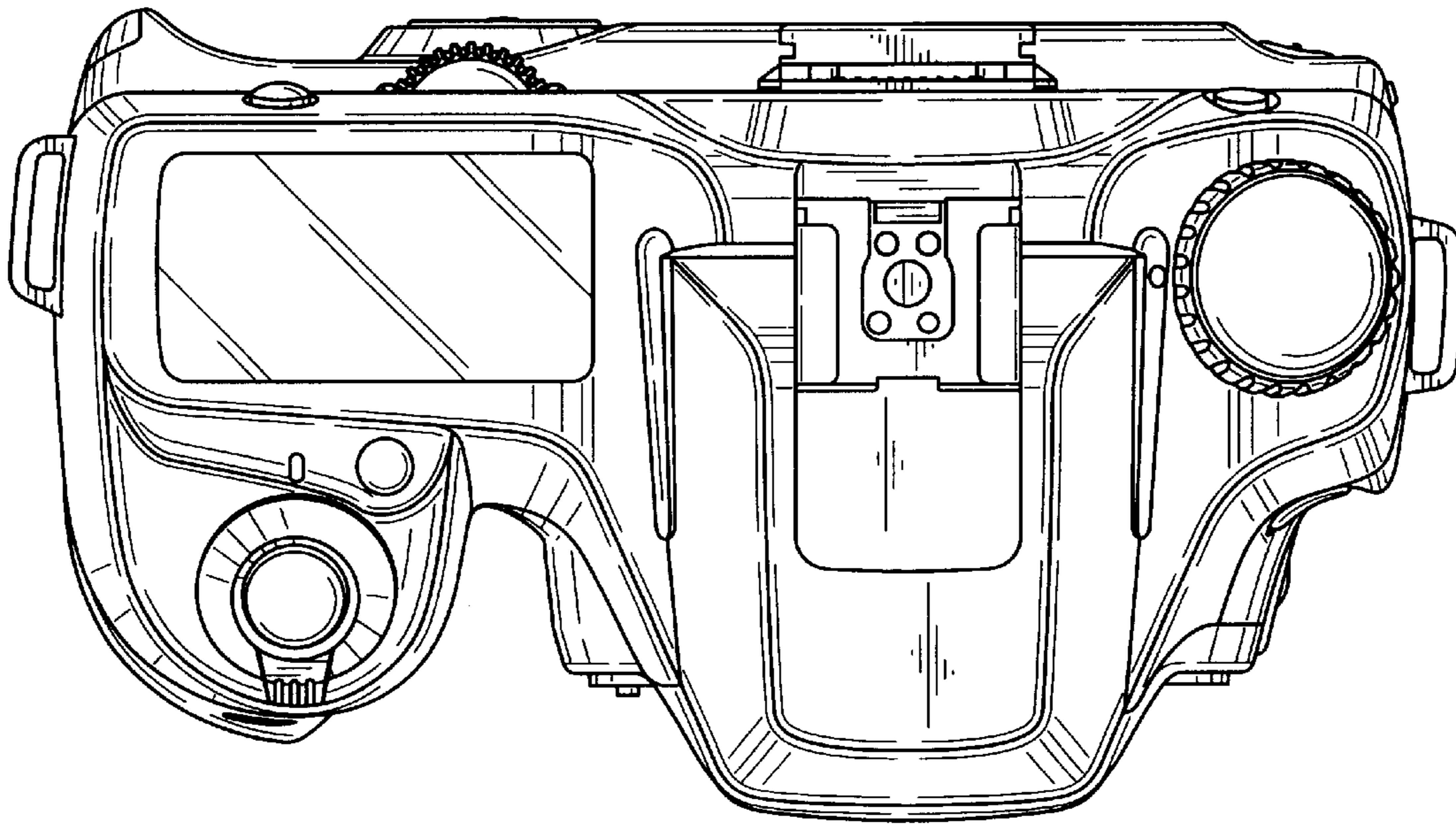


FIG. 7

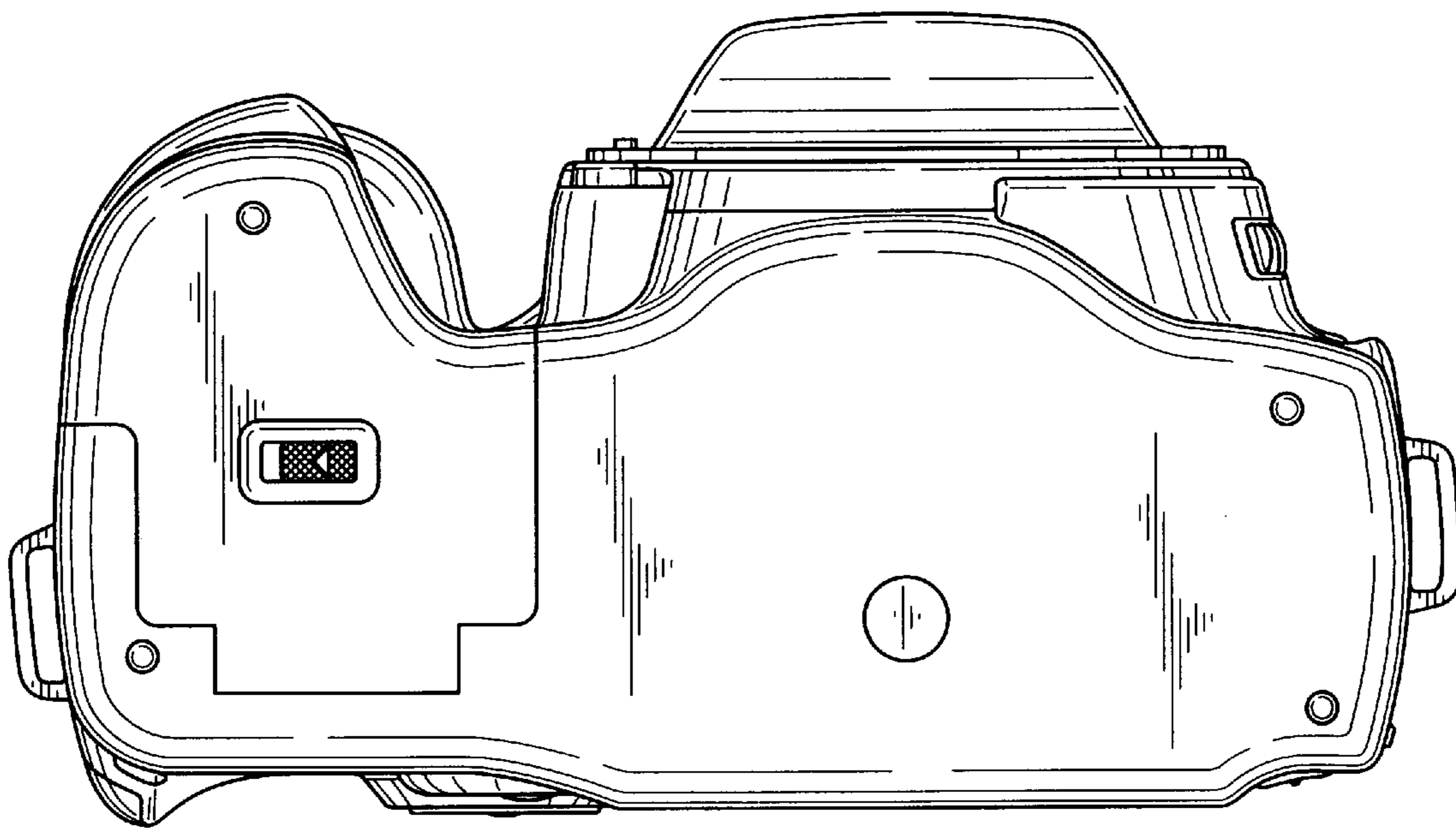


FIG. 8

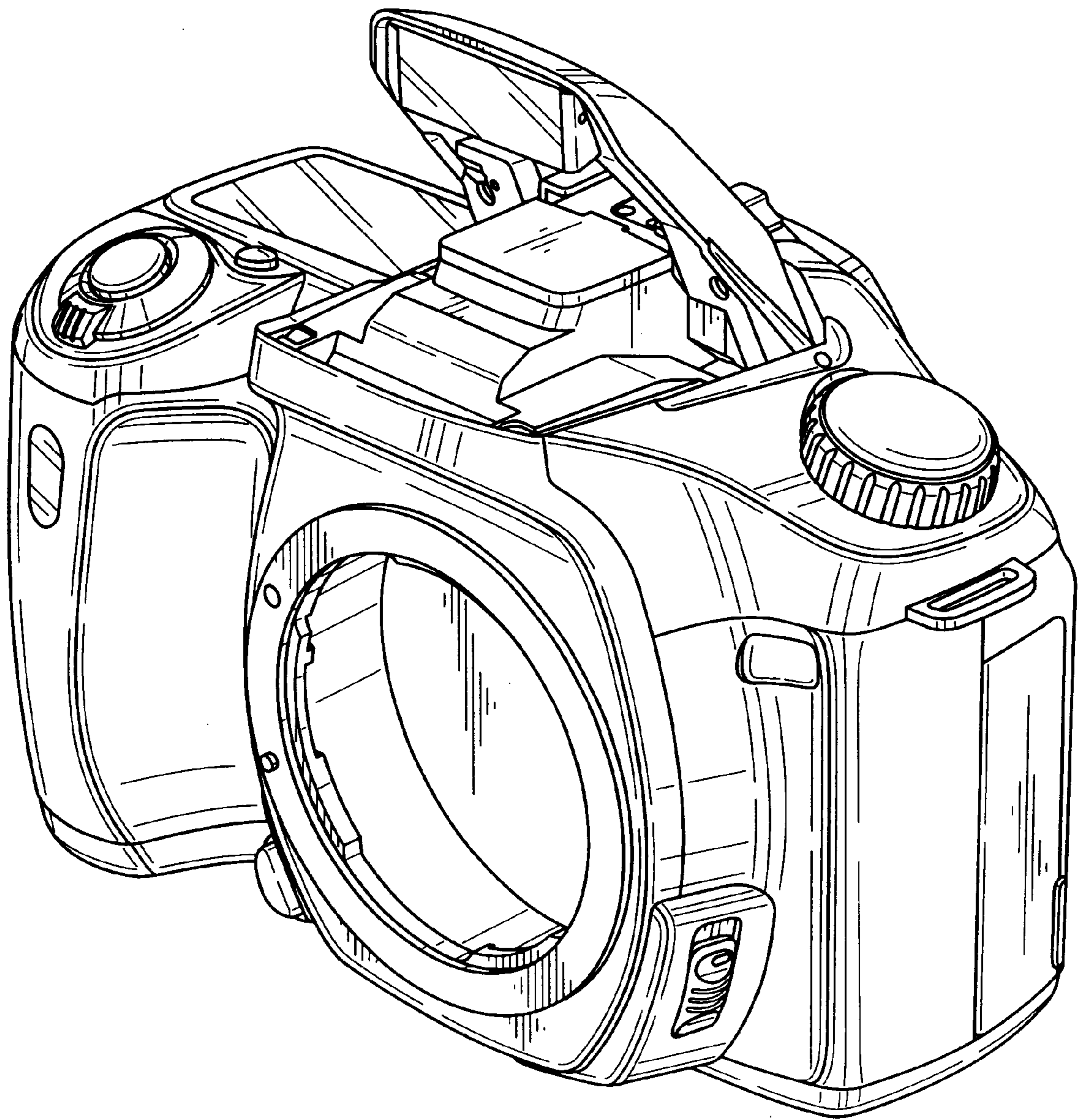


FIG. 9

