

US00D524345S

(12) **United States Design Patent**
Hayamizu

(10) **Patent No.:** **US D524,345 S**
(45) **Date of Patent:** **** Jul. 4, 2006**

(54) **DIGITAL CAMERA**

D502,479 S * 3/2005 Nishizawa et al. D16/202

(75) Inventor: **Eiji Hayamizu**, Tokyo (JP)

FOREIGN PATENT DOCUMENTS

(73) Assignee: **PENTAX Corporation**, Tokyo (JP)

JP 1182401 S 8/2003

(**) Term: **14 Years**

* cited by examiner

(21) Appl. No.: **29/223,967**

Primary Examiner—Adir Aronovich
(74) *Attorney, Agent, or Firm*—Sugrue Mion, PLLC

(22) Filed: **Feb. 24, 2005**

(57) **CLAIM**

(30) **Foreign Application Priority Data**

The ornamental design for a digital camera, as shown and described.

Sep. 7, 2004 (JP) 2004-027139

DESCRIPTION

(51) **LOC (8) Cl.** **16-01**

(52) **U.S. Cl.** **D16/202**

(58) **Field of Classification Search** D16/200–204,
D16/208, 209, 218, 219; 348/373–376; 358/909.1;
396/535–541

See application file for complete search history.

FIG. 1 is a perspective view of the top, front, and right side of a digital camera showing my new design;

FIG. 2 is a perspective view of the top, rear, and left side thereof;

FIG. 3 is a top plan view thereof;

FIG. 4 is a front elevational view thereof;

FIG. 5 is a left side elevational view thereof;

FIG. 6 is a right side elevational view thereof;

FIG. 7 is a rear elevational view thereof;

FIG. 8 is a bottom plan view thereof;

FIG. 9 is a front elevational reference view thereof similar to FIG. 4 in a state of taking a picture; and,

FIG. 10 is a right side elevational reference view thereof showing a fully extended position of a lens.

(56) **References Cited**

U.S. PATENT DOCUMENTS

D445,440 S	*	7/2001	Chen	D16/218
D471,220 S	*	3/2003	Hamamura	D16/202
D475,384 S	*	6/2003	Tanaka	D16/202
D482,054 S	*	11/2003	Nasu	D16/202
D487,283 S		3/2004	Watanabe		
D493,185 S	*	7/2004	Lo et al.	D16/202
D496,380 S	*	9/2004	Isomoto	D16/202

1 Claim, 7 Drawing Sheets

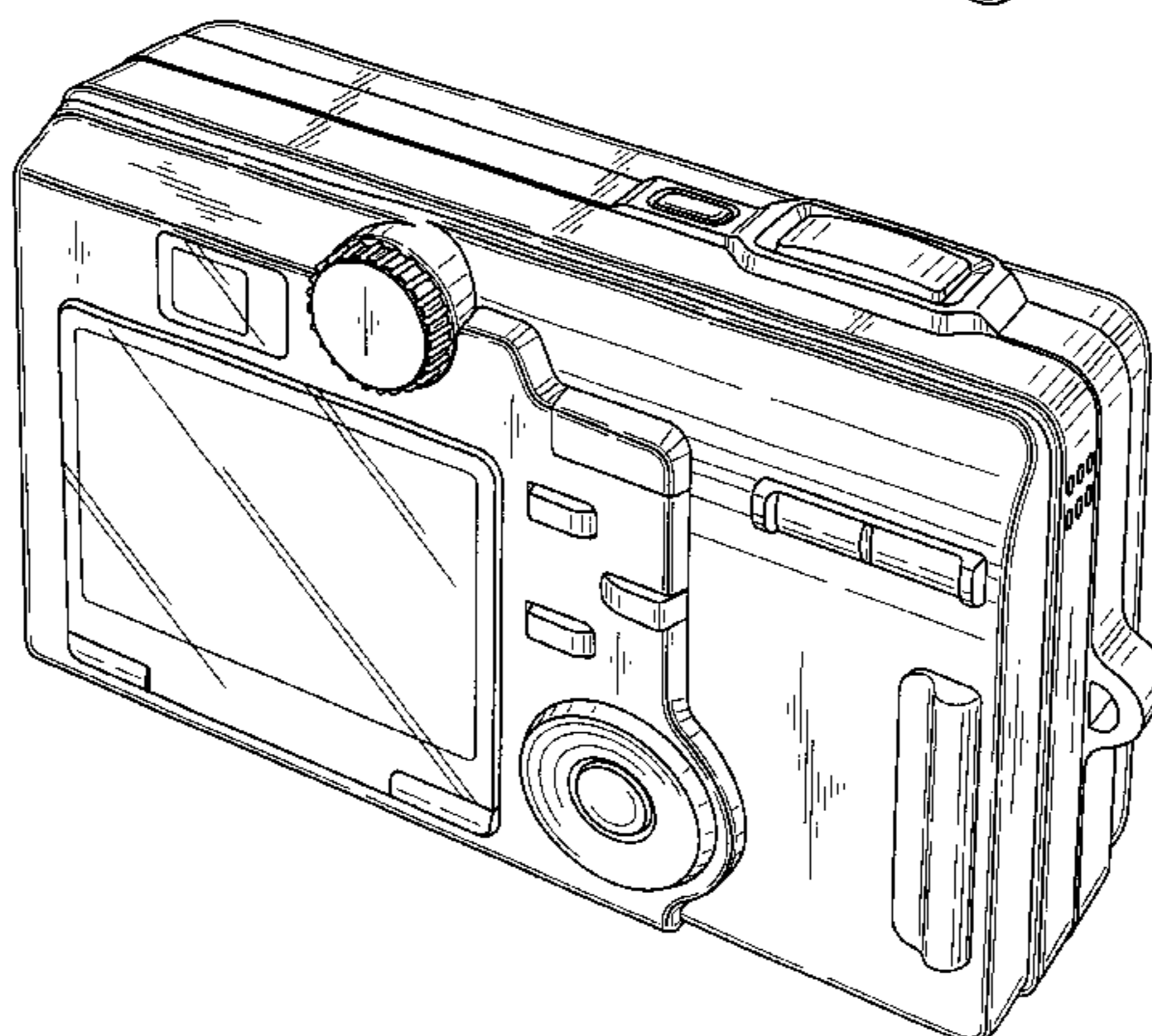
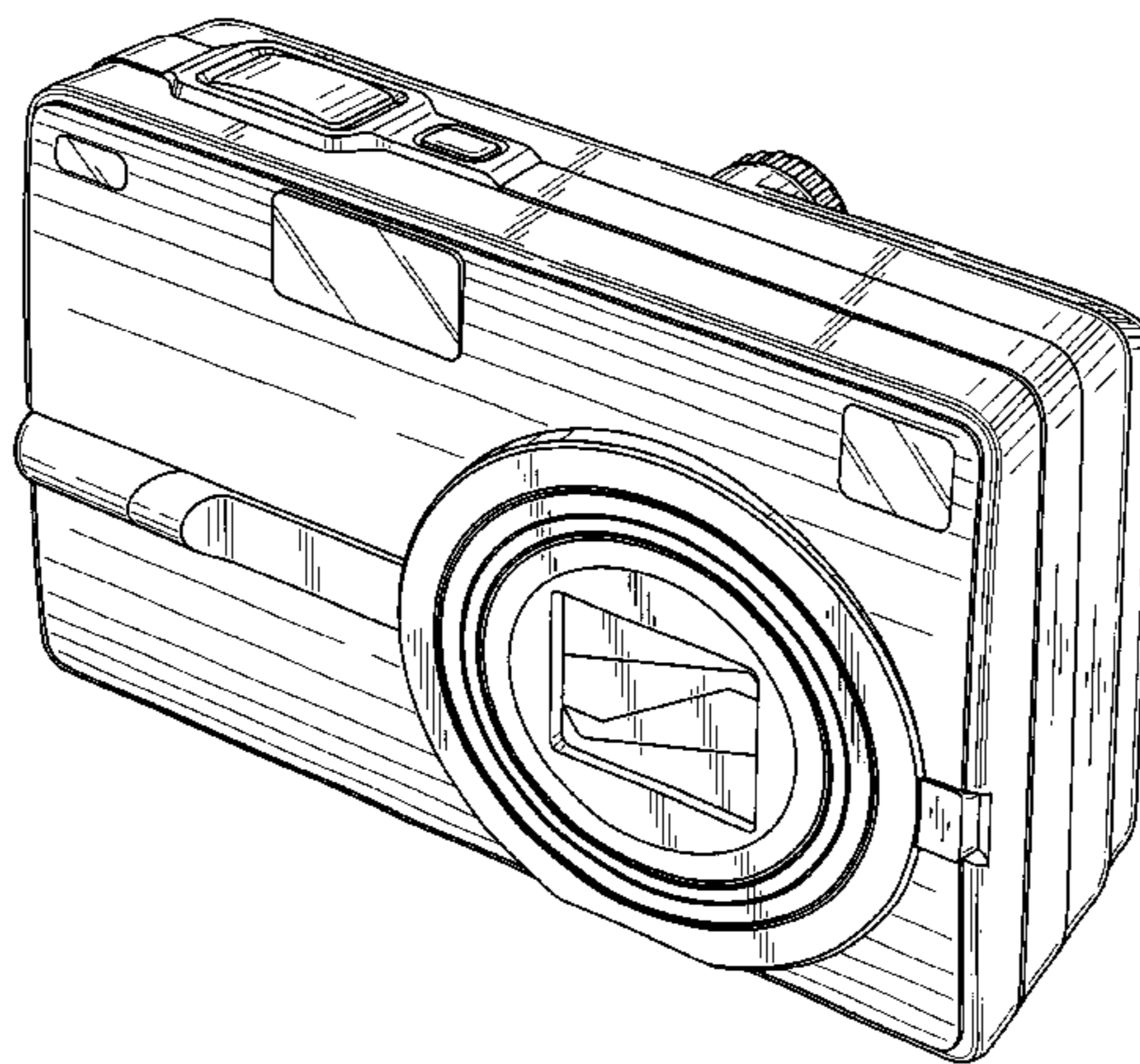


FIG. 1

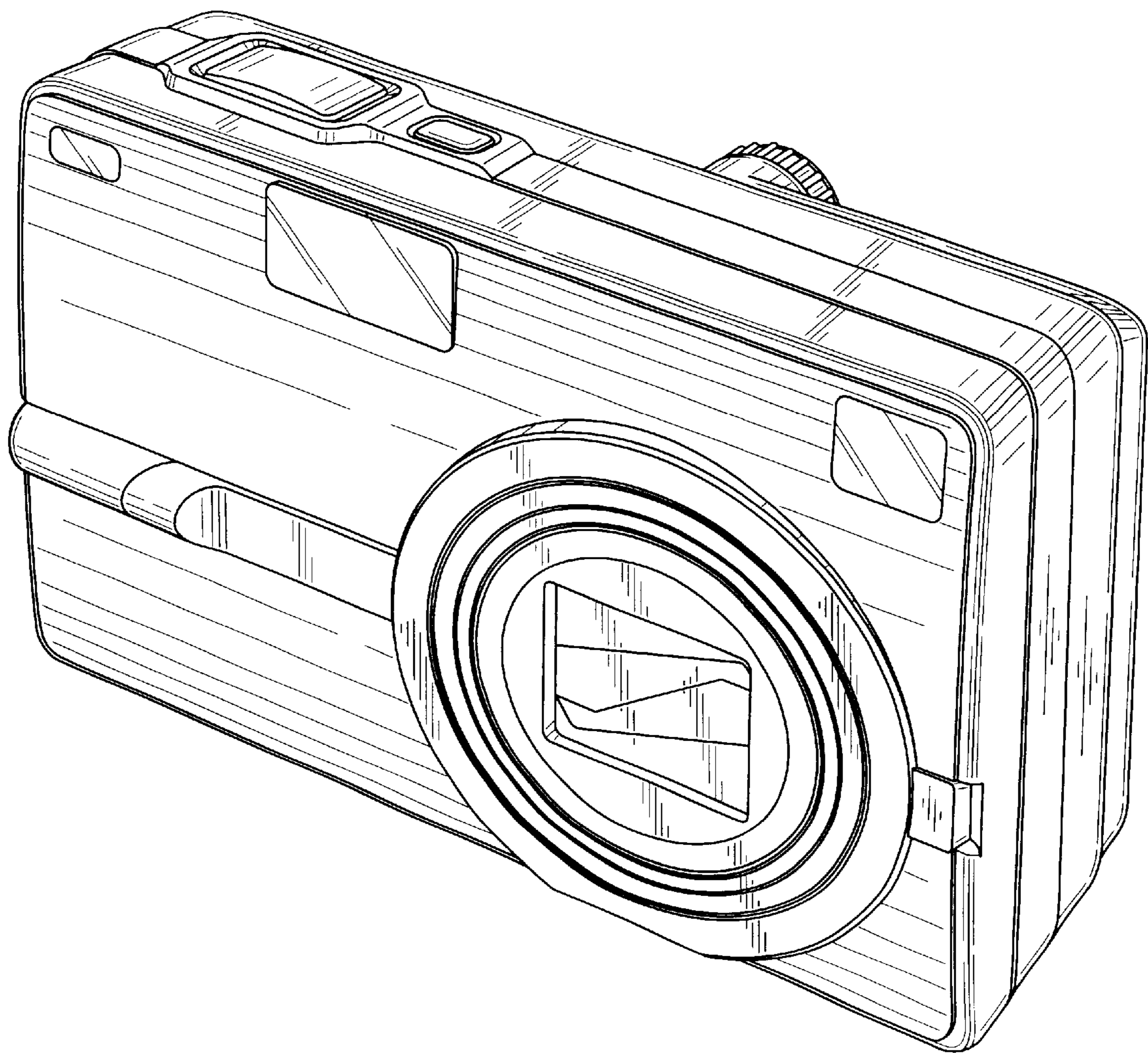


FIG. 2

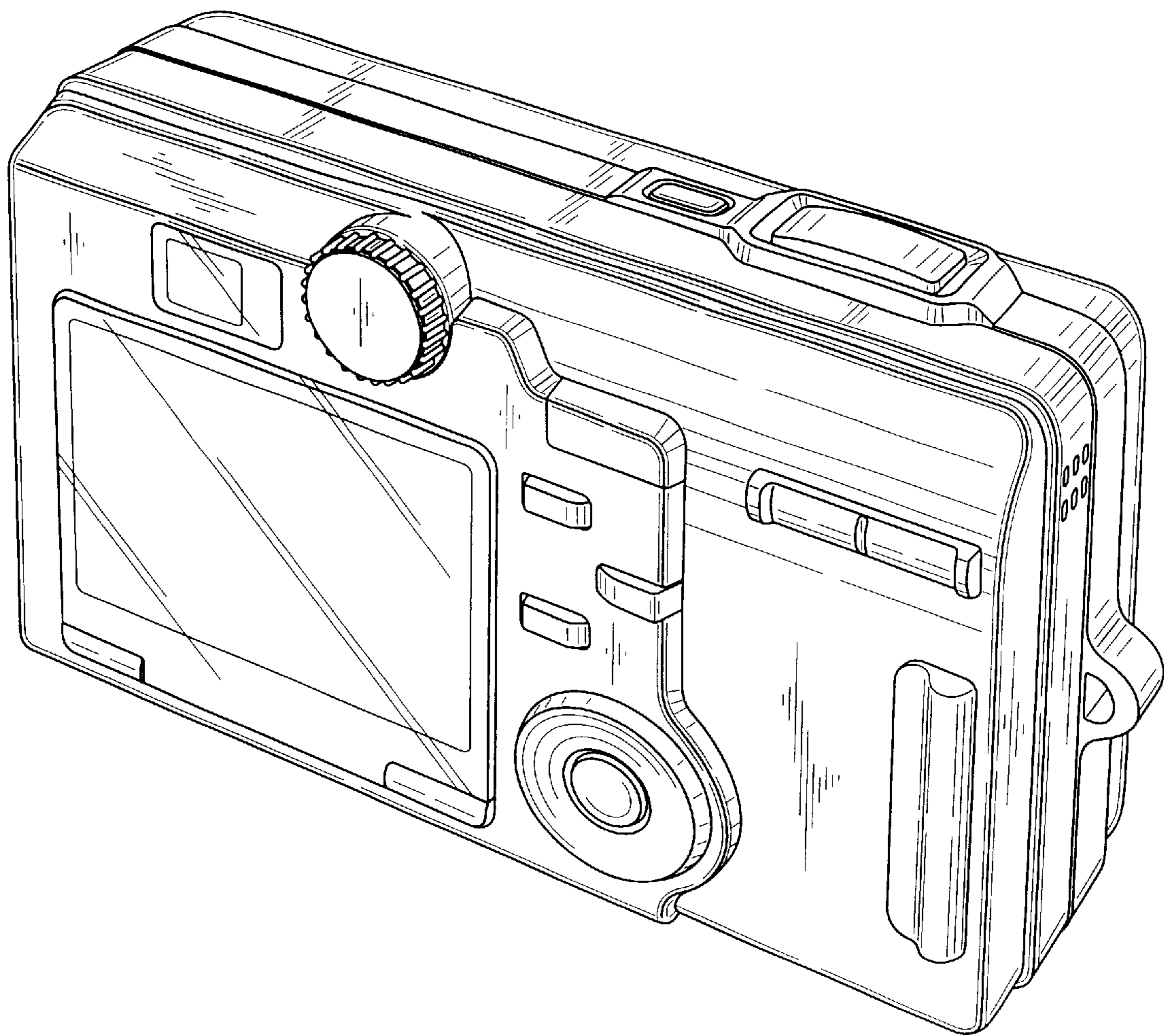


FIG. 3

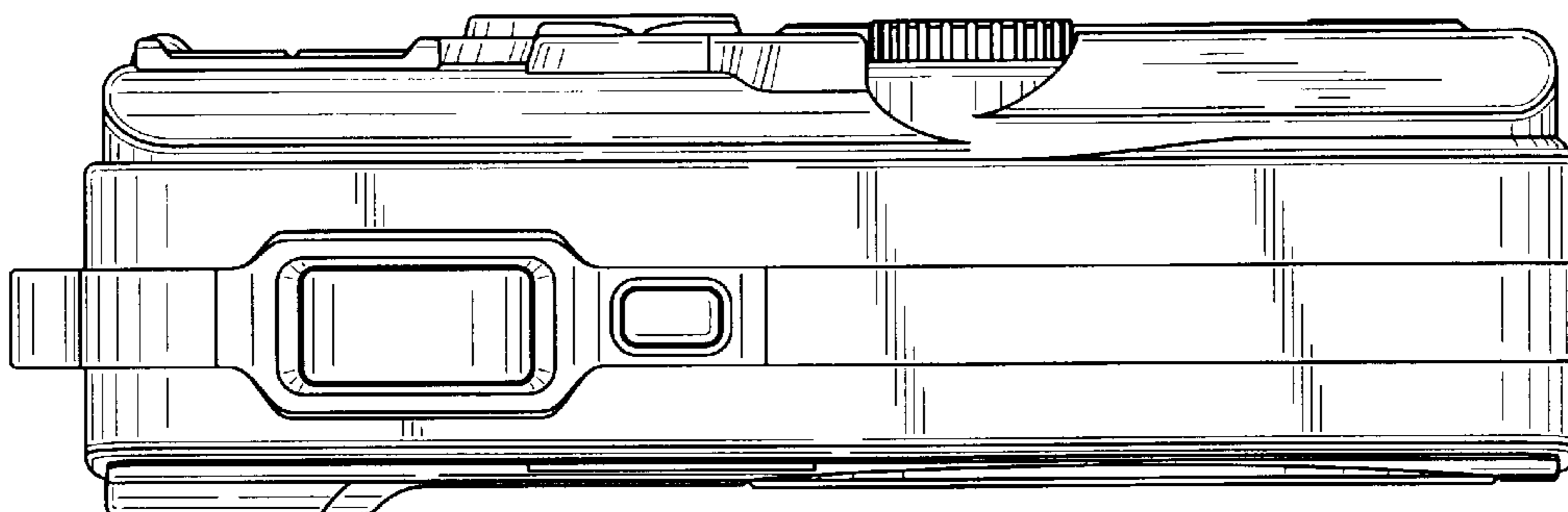


FIG. 4

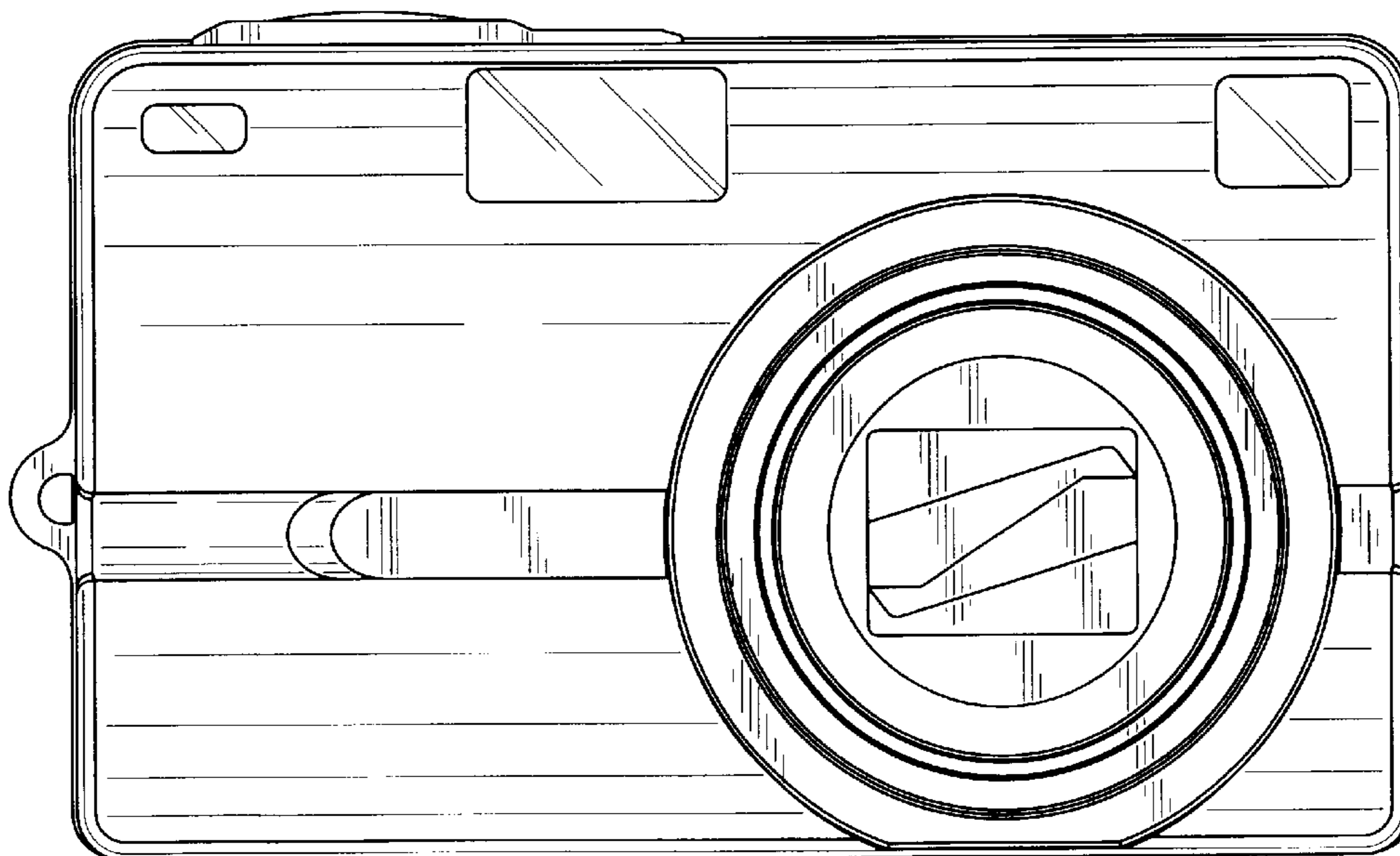


FIG. 5

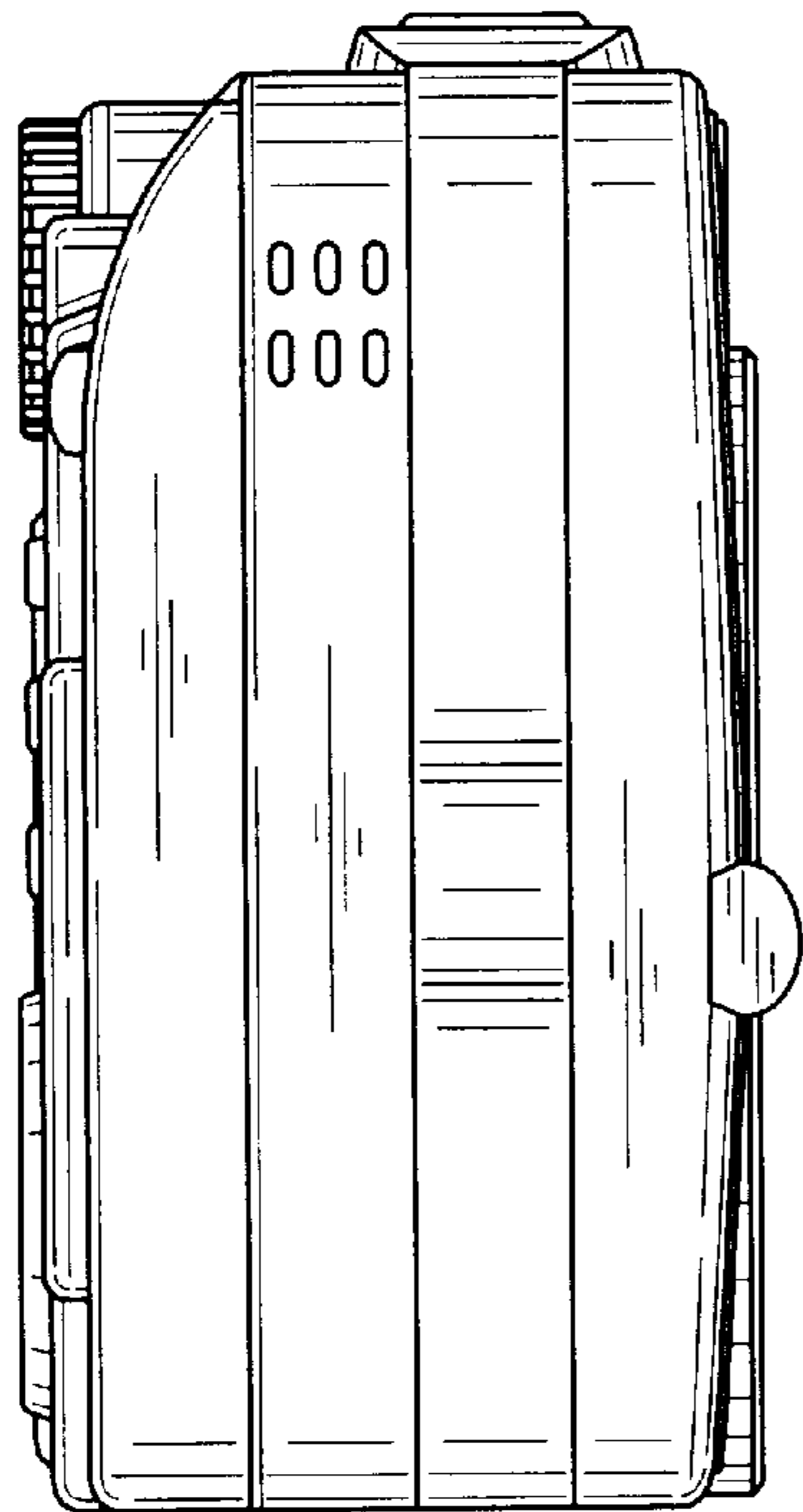


FIG. 6

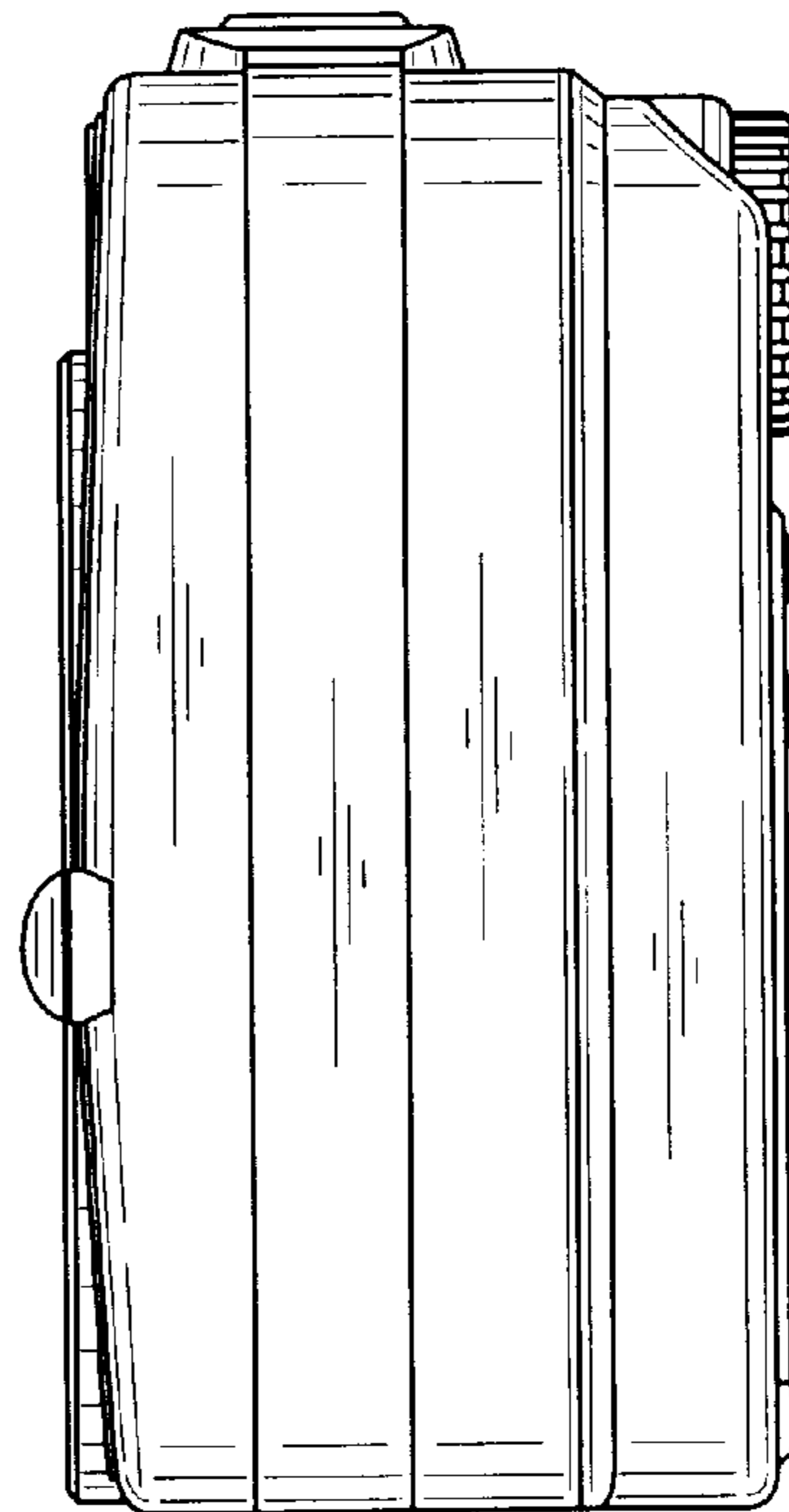


FIG. 7

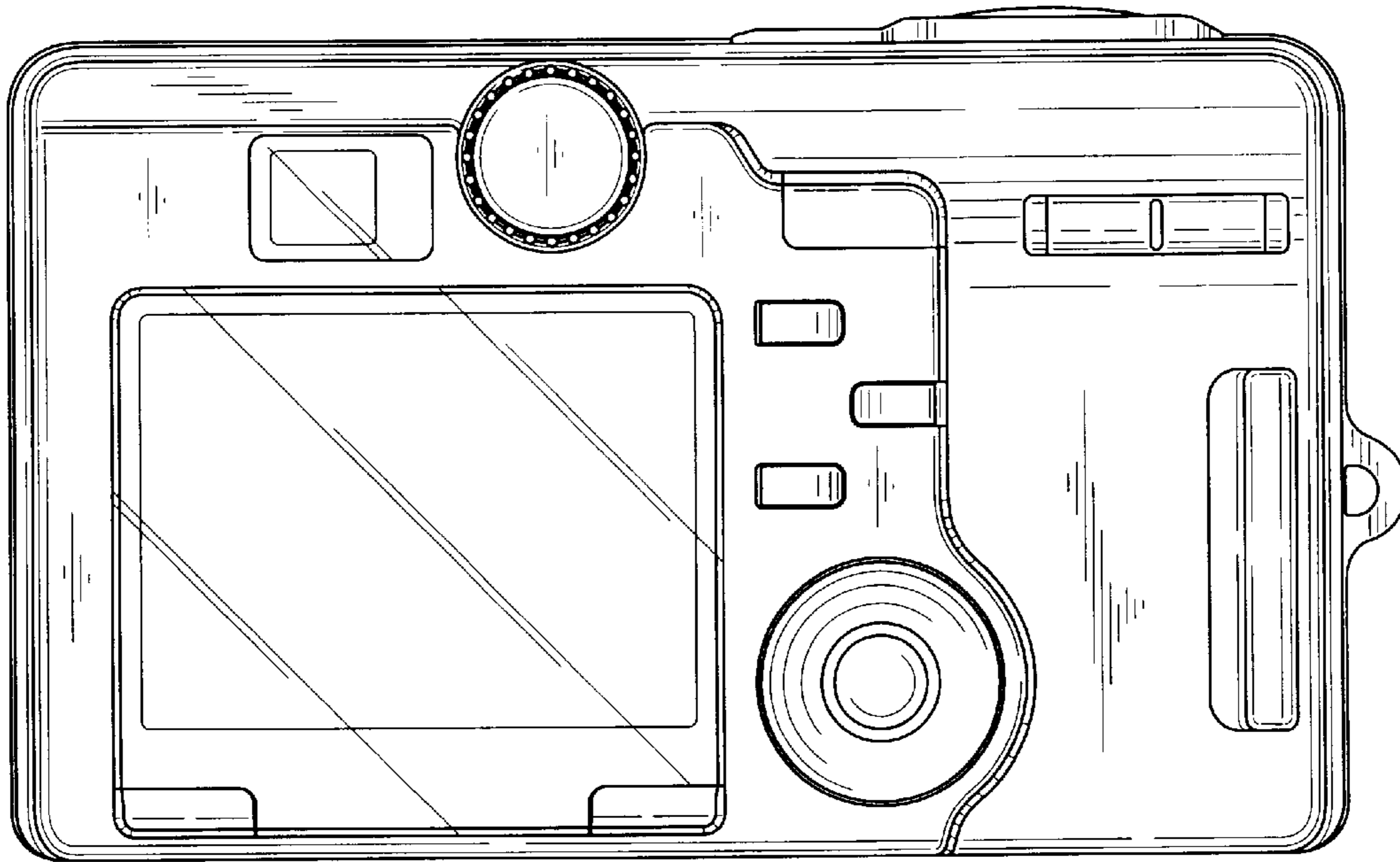


FIG. 8

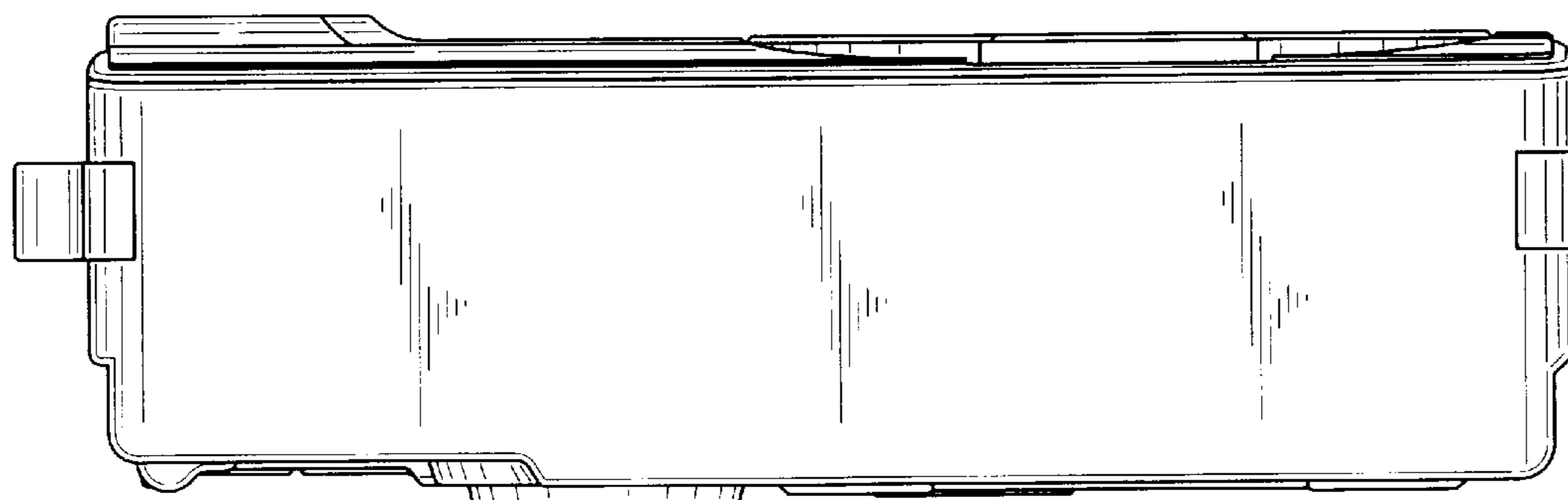


FIG. 9

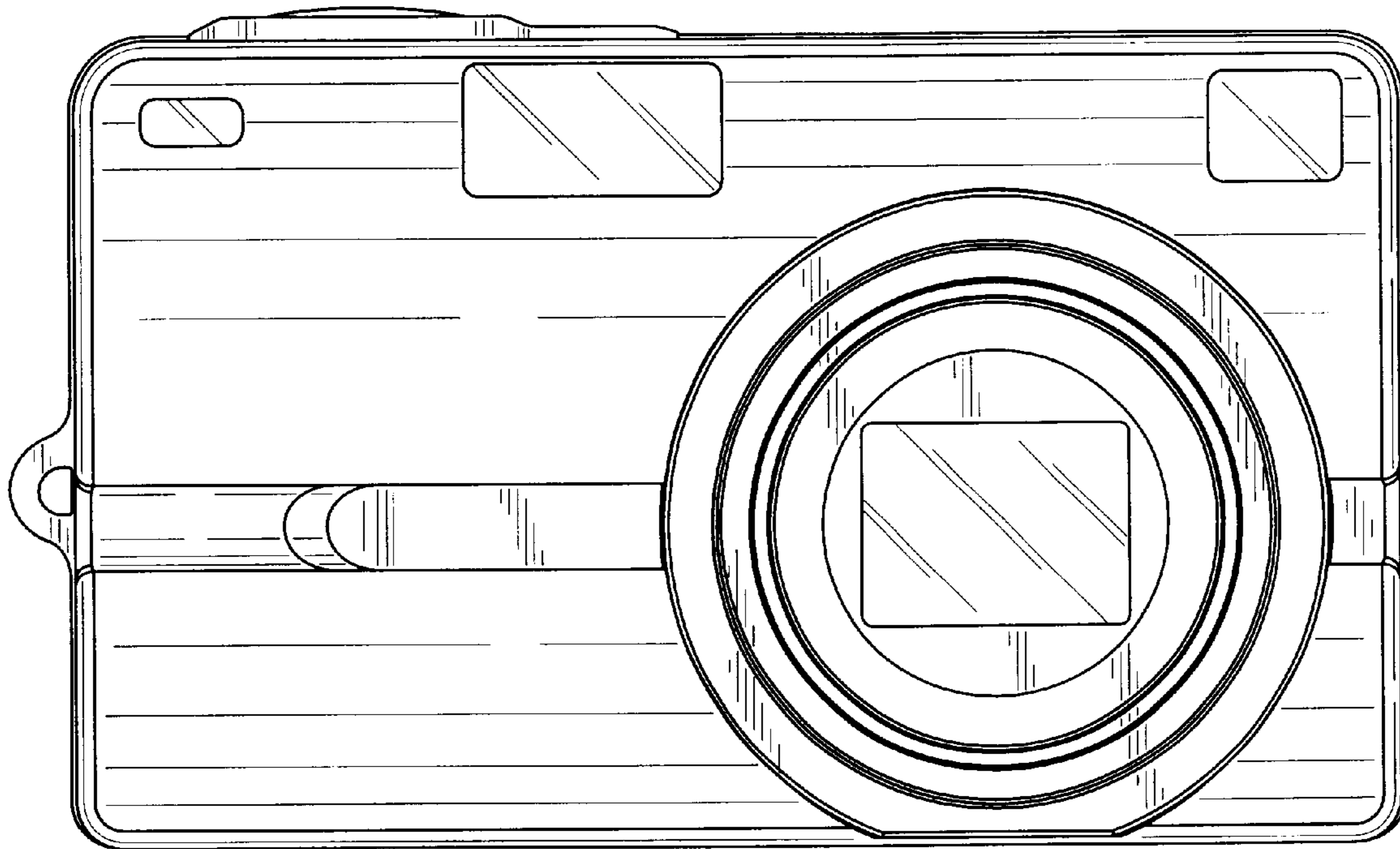


FIG. 10

