



US00D524344S

(12) **United States Design Patent**
Imai

(10) **Patent No.:** **US D524,344 S**
(45) **Date of Patent:** **** Jul. 4, 2006**

(54) **ELECTRONIC CAMERA**

(75) Inventor: **Masazumi Imai**, Tokyo (JP)

(73) Assignee: **Fuji Photo Film Co., Ltd.**, Kanagawa (JP)

(**) Term: **14 Years**

(21) Appl. No.: **29/223,640**

(22) Filed: **Feb. 17, 2005**

(30) **Foreign Application Priority Data**

Aug. 30, 2004 (JP) 2004-025957

(51) **LOC (8) Cl.** **16-01**

(52) **U.S. Cl.** **D16/202**

(58) **Field of Classification Search** D16/200-204,
D16/208, 209, 218; 348/373-376; 358/909.1;
396/535-541

See application file for complete search history.

(56) **References Cited**

U.S. PATENT DOCUMENTS

D407,098 S * 3/1999 Goto et al. D16/218
D410,665 S * 6/1999 Shinano D16/202
D473,886 S 4/2003 Katayama D16/202

D475,072 S * 5/2003 Yoshida D16/202
D479,547 S * 9/2003 Nagayama D16/202
D487,283 S * 3/2004 Watanabe D16/202
D493,185 S * 7/2004 Lo et al. D16/202

* cited by examiner

Primary Examiner—Adir Aronovich

(74) *Attorney, Agent, or Firm*—Young & Thompson

(57) **CLAIM**

The ornamental design for an electronic camera, as shown and described.

DESCRIPTION

FIG. 1 is a top, front and left side perspective view of an electronic camera showing my new design;
FIG. 2 is a front elevational view thereof;
FIG. 3 is a rear elevational view thereof;
FIG. 4 is a top plan view thereof;
FIG. 5 is a bottom plan view thereof;
FIG. 6 is a side elevational view thereof from the left of FIG. 2;
FIG. 7 is a side elevational view thereof from the right of FIG. 2; and,
FIG. 8 is a view similar to FIG. 1 but with the parts in a different position.

1 Claim, 4 Drawing Sheets

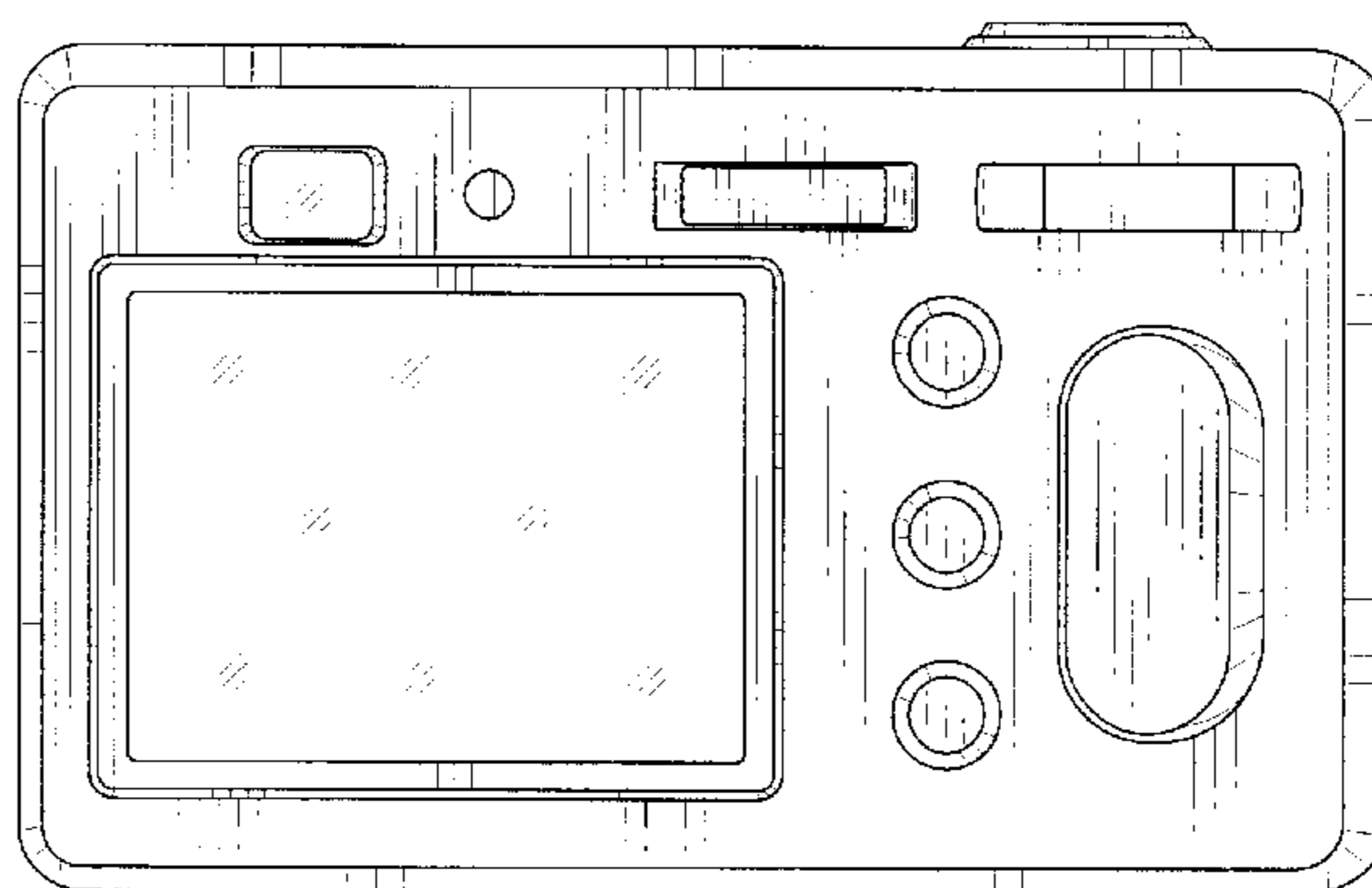
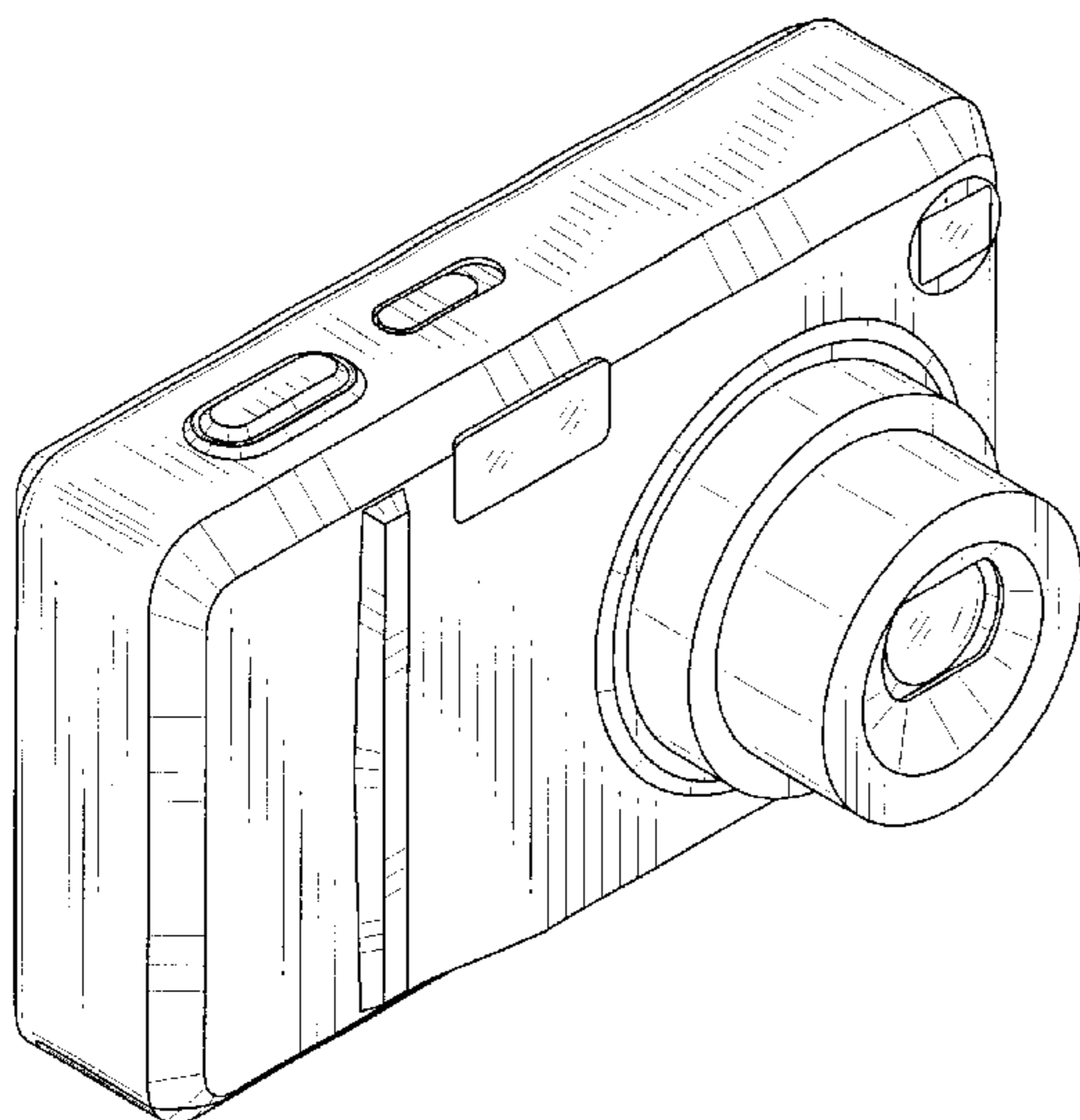


FIG. 1

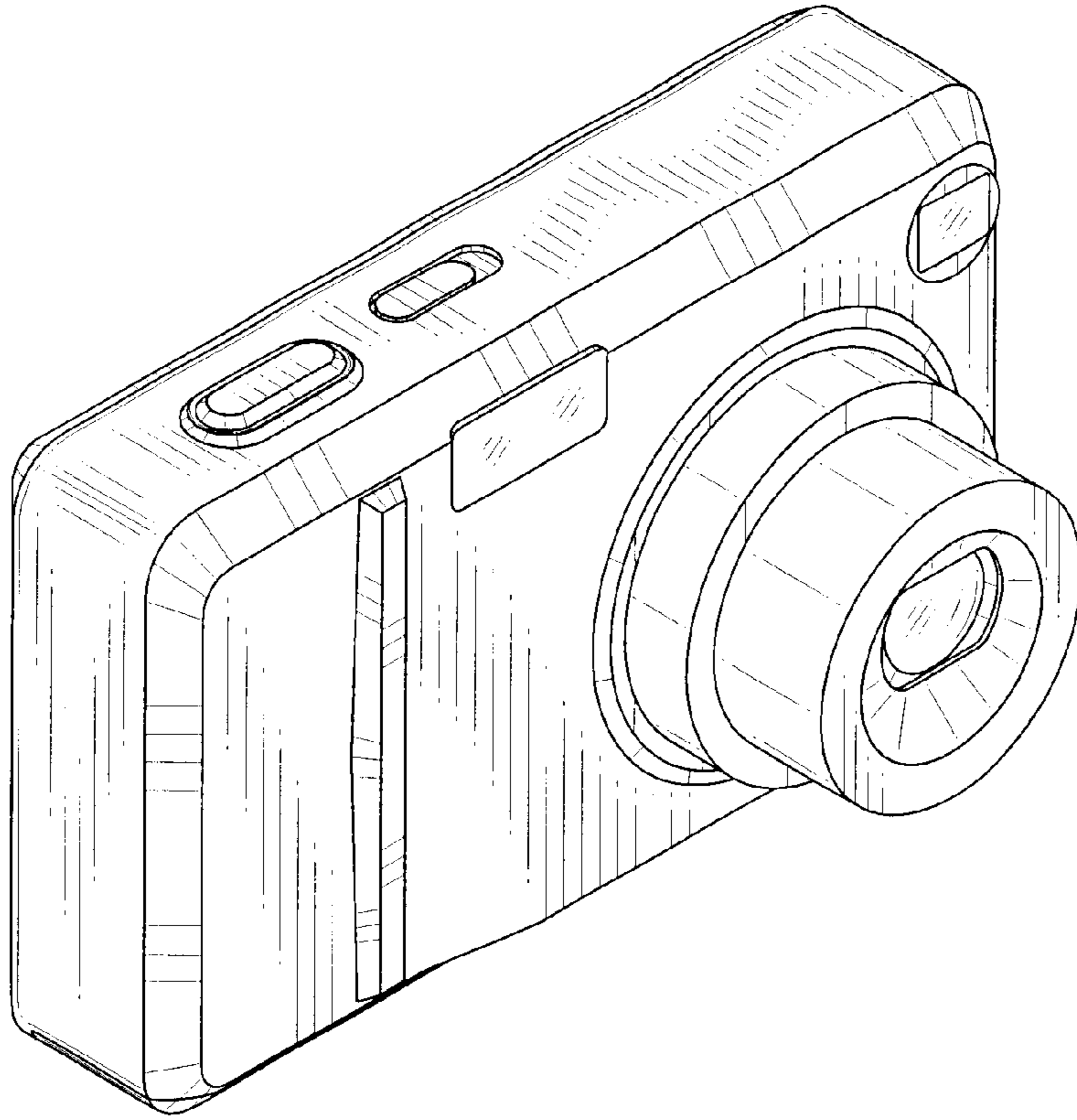


FIG. 2

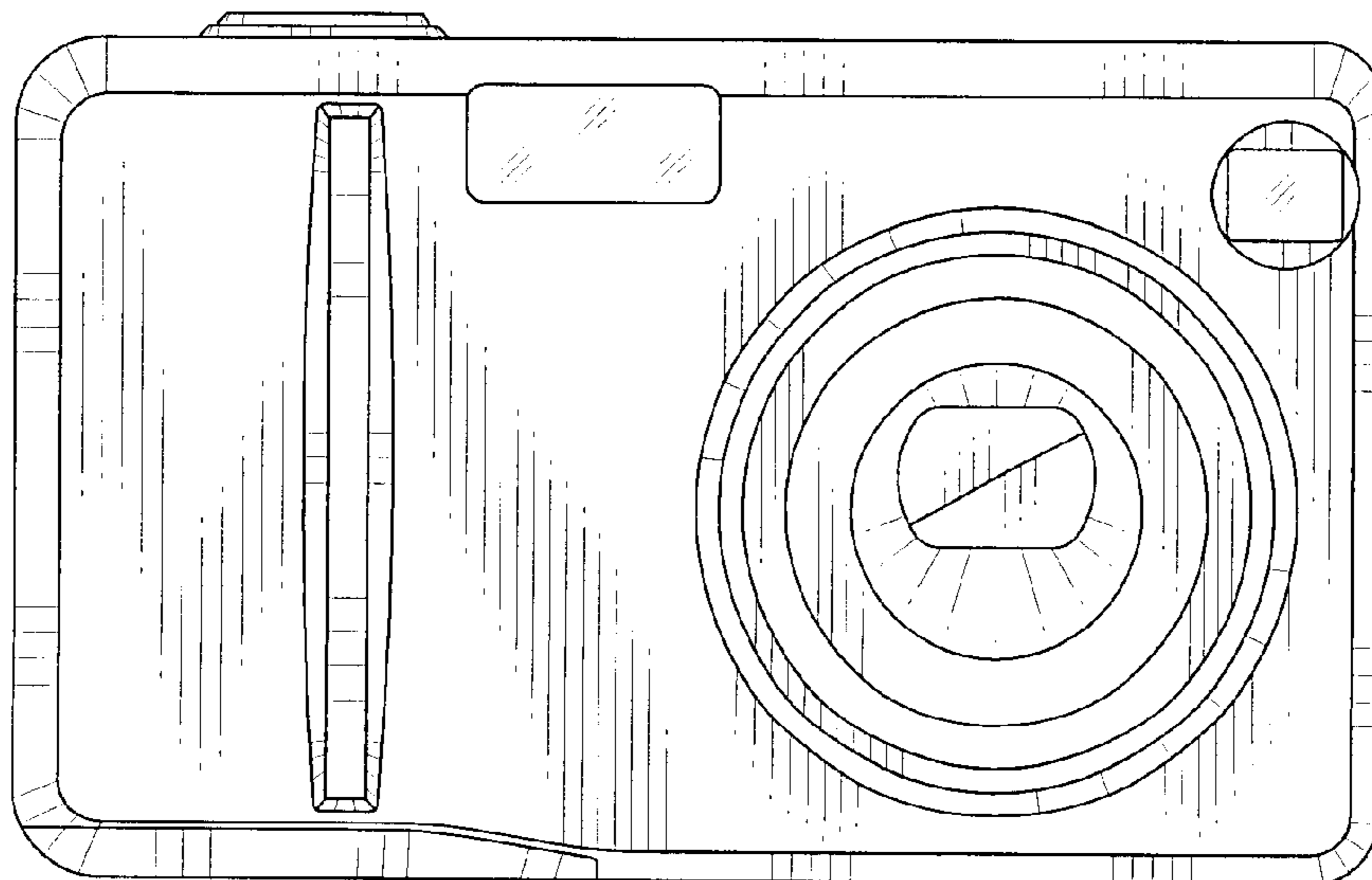


FIG.3

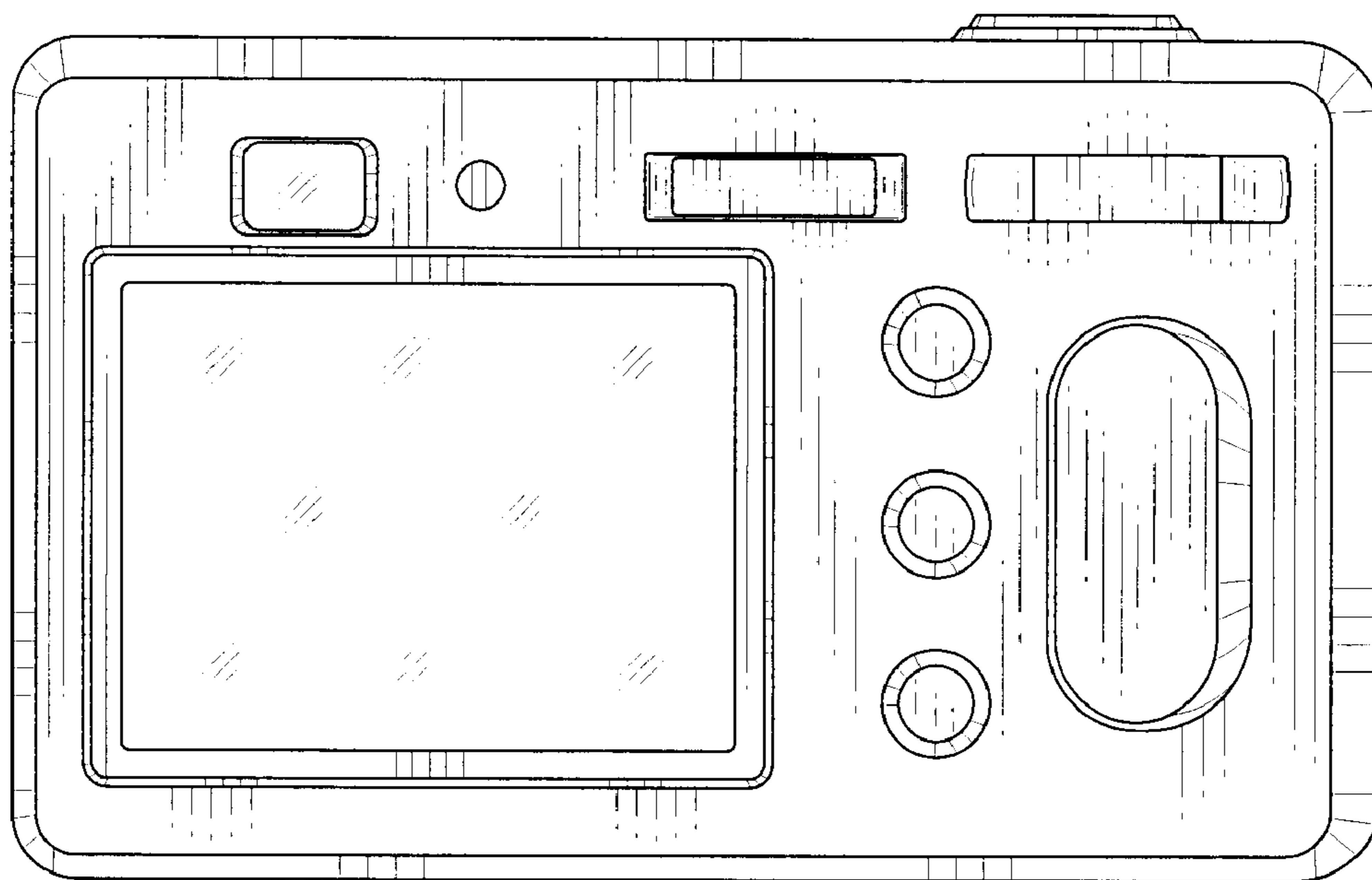


FIG.4

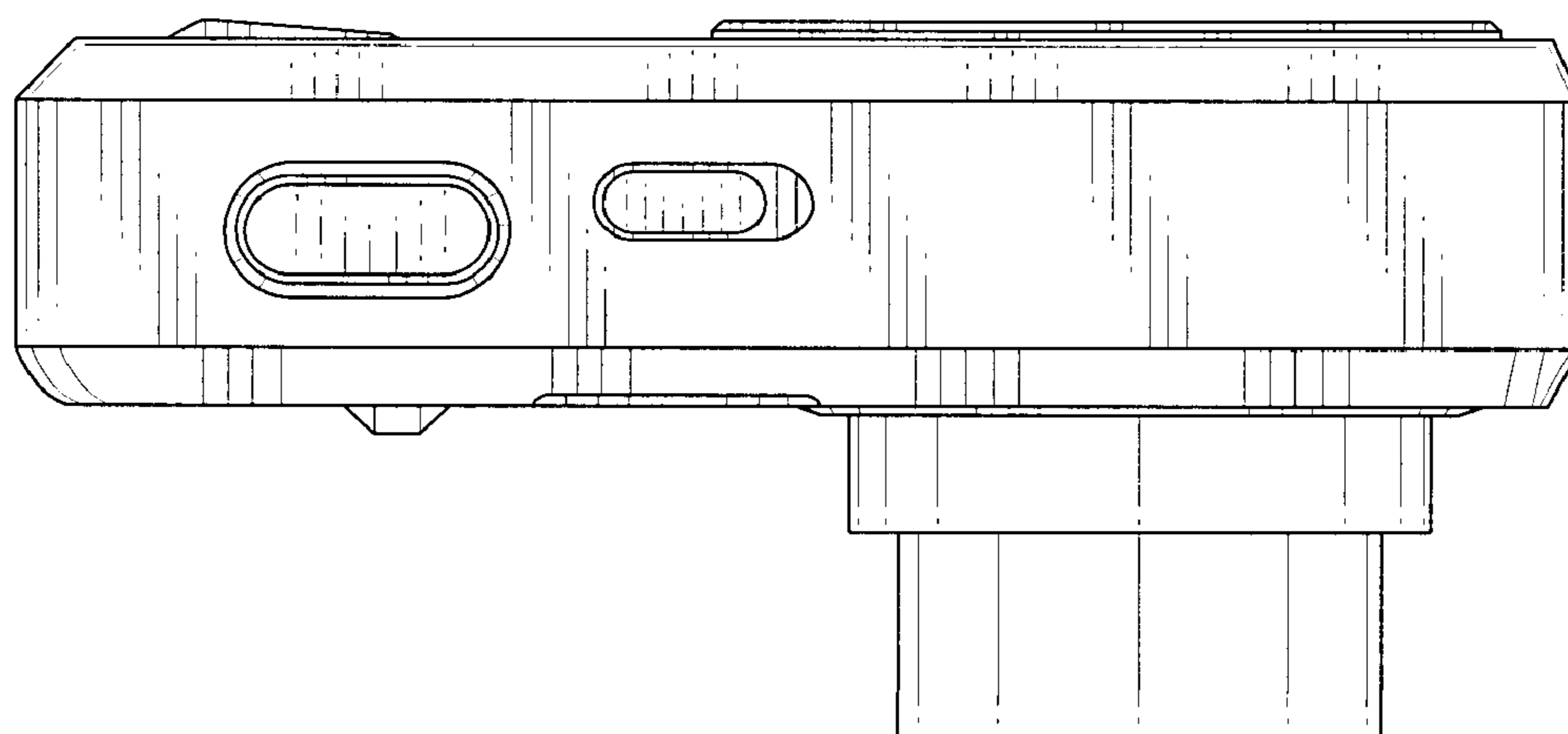


FIG.5

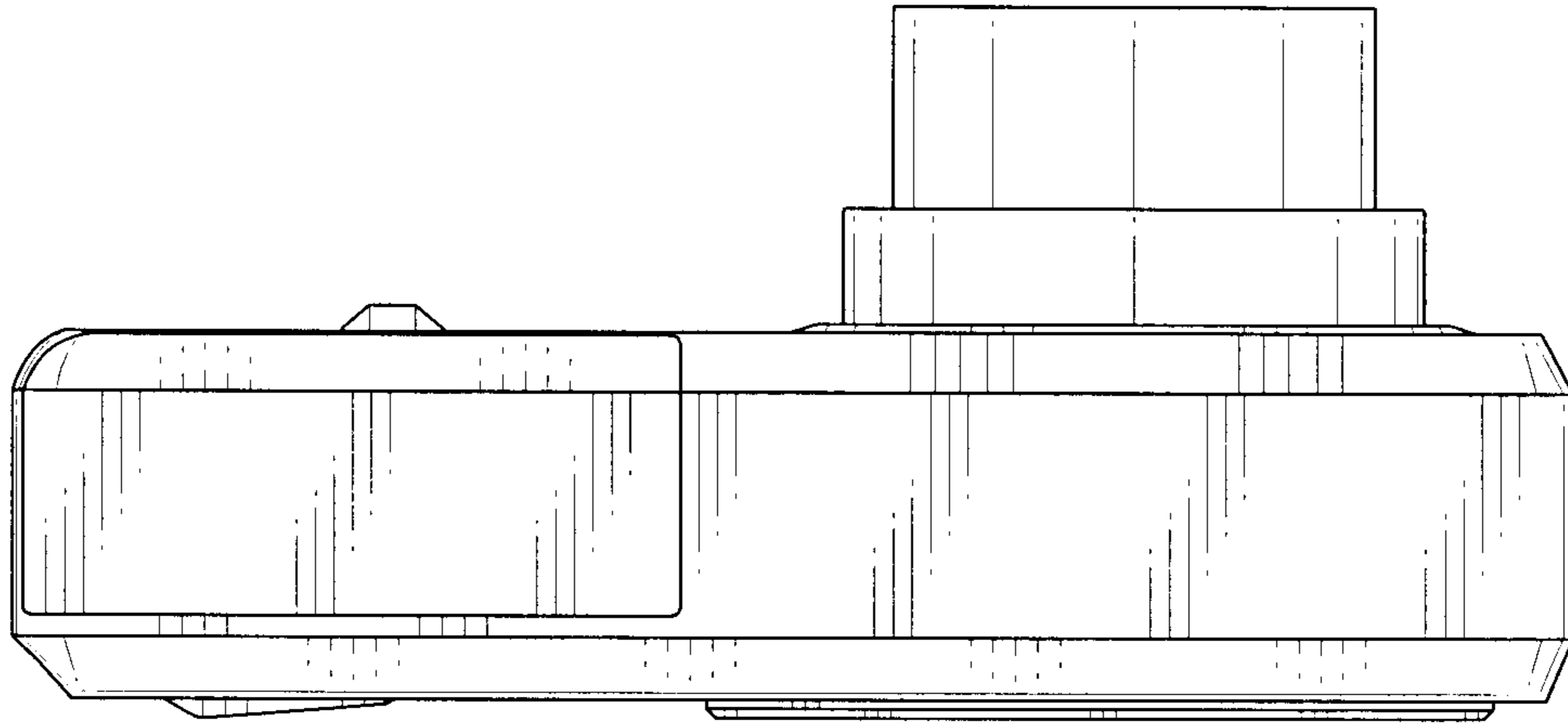


FIG.6

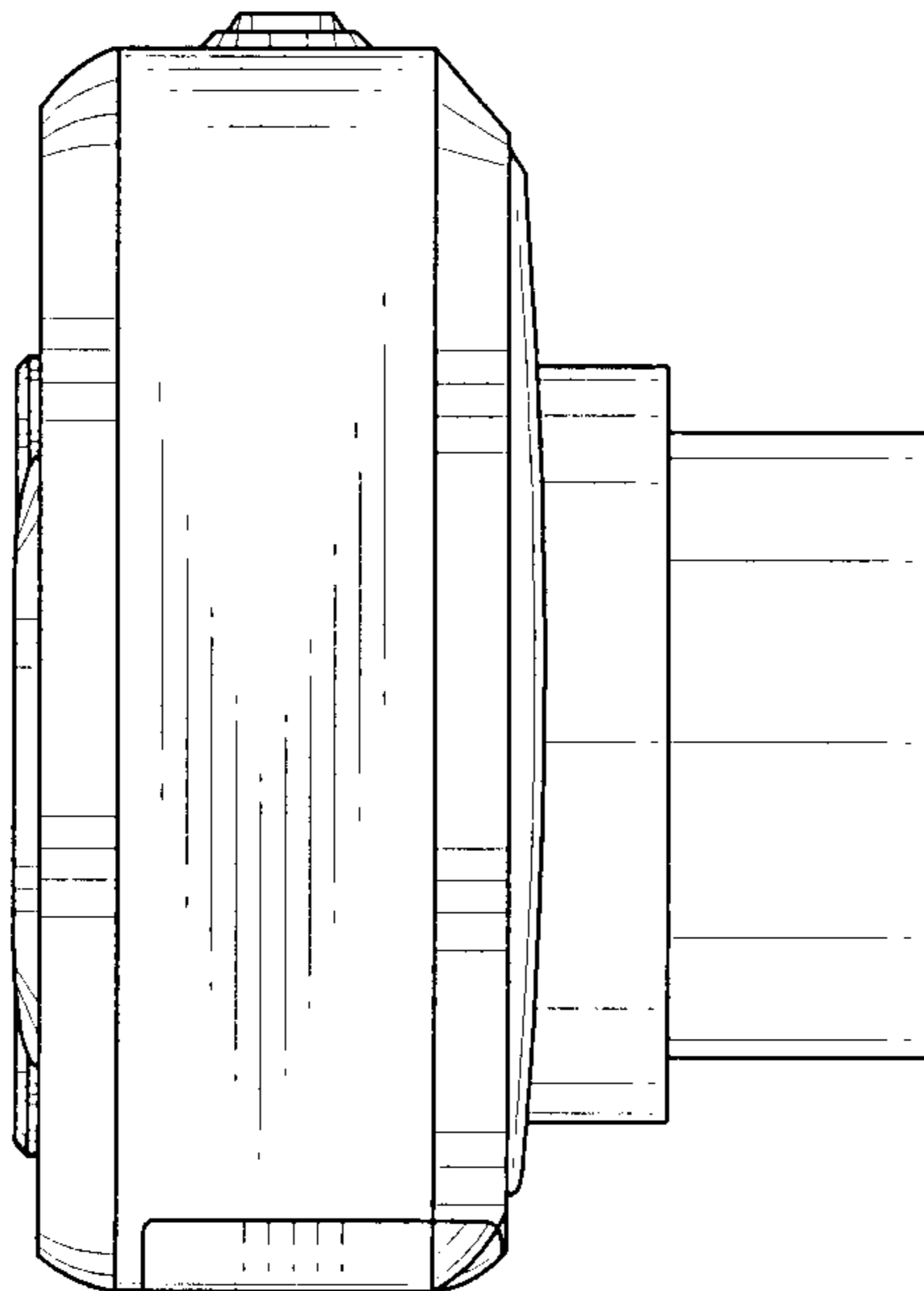


FIG.7

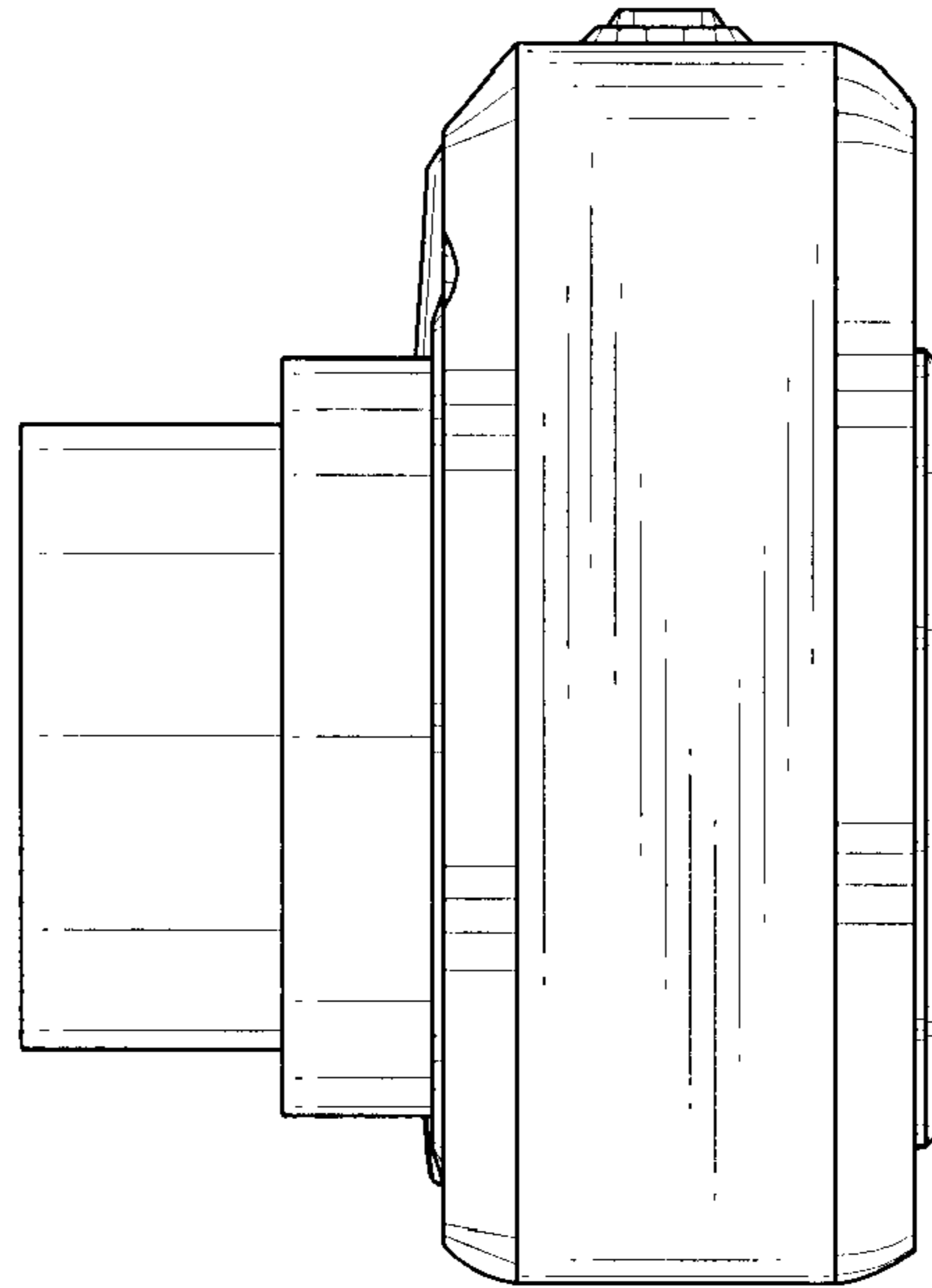


FIG.8

