

US00D524343S

(12) **United States Design Patent**
Naruki

(10) **Patent No.:** **US D524,343 S**
(45) **Date of Patent:** **** Jul. 4, 2006**

(54) **DIGITAL VIDEO CAMERA**
(75) Inventor: **Masatomo Naruki**, Kawasaki (JP)
(73) Assignee: **Kabushiki Kaisha Toshiba** (JP)
(**) Term: **14 Years**

(21) Appl. No.: **29/223,036**
(22) Filed: **Feb. 9, 2005**

(30) **Foreign Application Priority Data**
Dec. 28, 2004 (JP) 2004-040147
(51) **LOC (8) Cl.** **16-01**
(52) **U.S. Cl.** **D16/202**
(58) **Field of Classification Search** D16/200–206,
D16/208, 218; 348/373–376; 358/906; 396/535–541
See application file for complete search history.

(56) **References Cited**
U.S. PATENT DOCUMENTS
D408,428 S * 4/1999 Ninomiya et al. D16/202
D413,911 S * 9/1999 Goto et al. D16/202
D414,195 S * 9/1999 Shiozaki et al. D16/202
D435,575 S 12/2000 Kanatani et al. D16/202
D445,816 S 7/2001 Tanaka D16/203
6,727,954 B1 * 4/2004 Okada et al. 348/374
D496,954 S * 10/2004 Matsumoto et al. D16/202
D498,780 S * 11/2004 Su et al. D16/202
D499,438 S * 12/2004 Shimizu D16/202

FOREIGN PATENT DOCUMENTS
JP 1079661 7/2000

JP 1068299-2 7/2000
JP 1078625-1 7/2000

OTHER PUBLICATIONS

B&H Photo–Video–Pro Audio Catalog, Summer 2004, pp. 131–137, dated Jun. 2004.

* cited by examiner

Primary Examiner—Adir Aronovich
(74) *Attorney, Agent, or Firm*—Banner & Witcoff, Ltd.

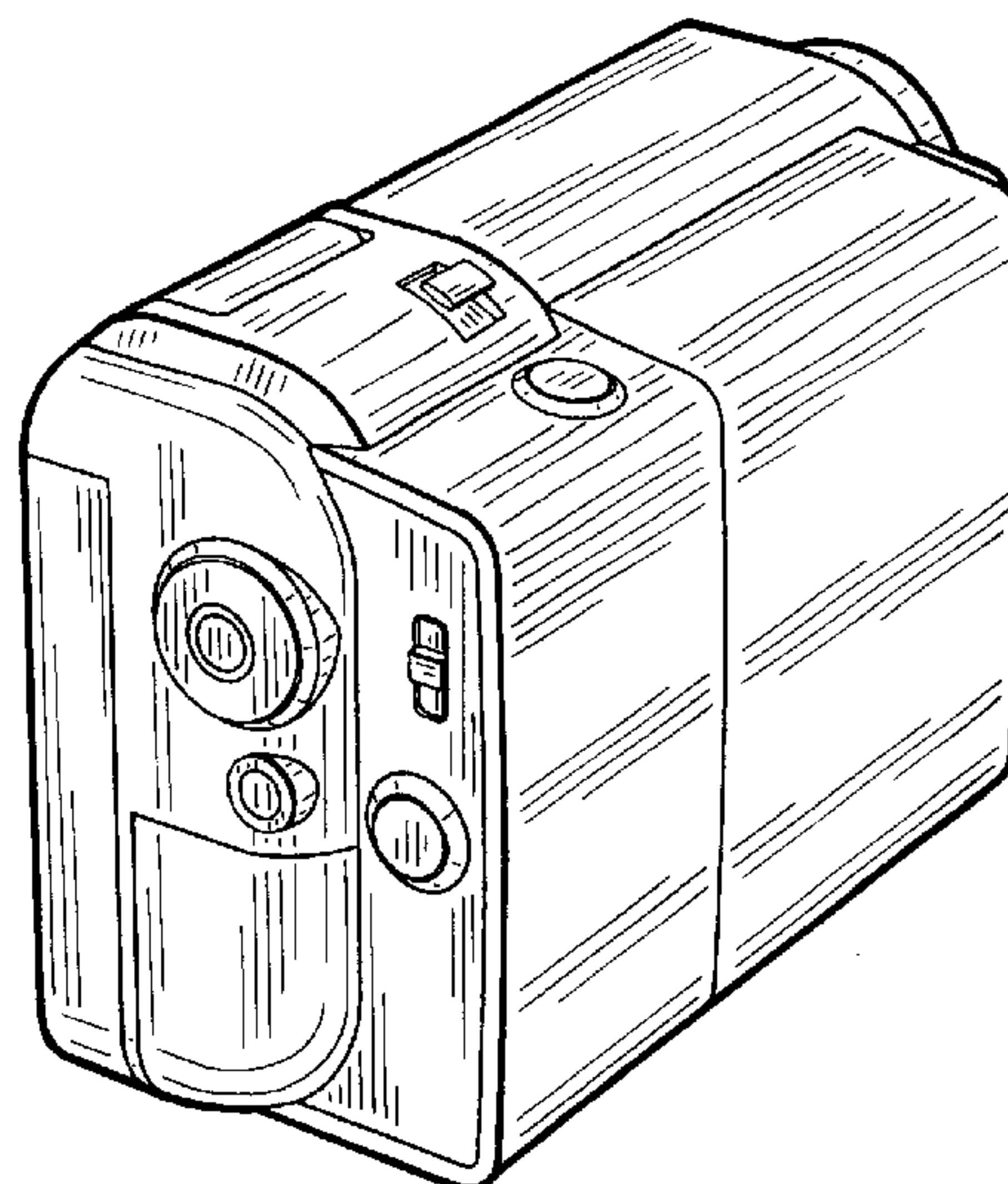
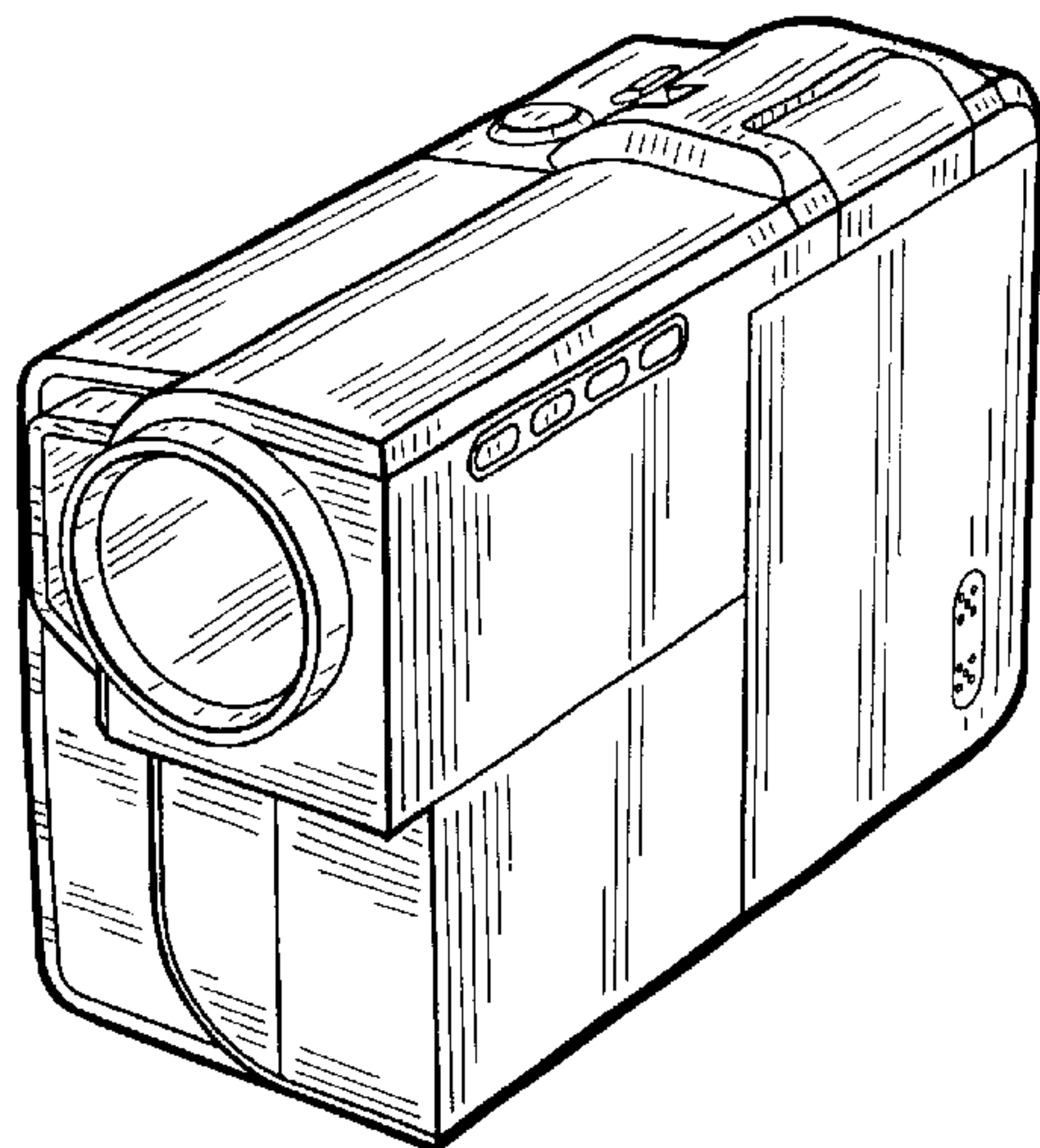
(57) **CLAIM**

The ornamental design for a digital video camera, as shown and described.

DESCRIPTION

FIG. 1 is a front, top and left side perspective view of a digital video camera, showing my new design;
FIG. 2 is a rear, top and right side perspective view thereof;
FIG. 3 is a front, top and right side perspective view thereof showing a display in an opened state;
FIG. 4 is a front elevational view thereof;
FIG. 5 is a rear elevational view thereof;
FIG. 6 is a top plan view thereof;
FIG. 7 is a bottom plan view thereof;
FIG. 8 is a right side elevational view thereof;
FIG. 9 is a left side elevational view thereof;
FIG. 10 is a front elevational view thereof showing a display in an opened state; and,
FIG. 11 is a right side elevational view thereof showing a display in an opened state.

1 Claim, 5 Drawing Sheets



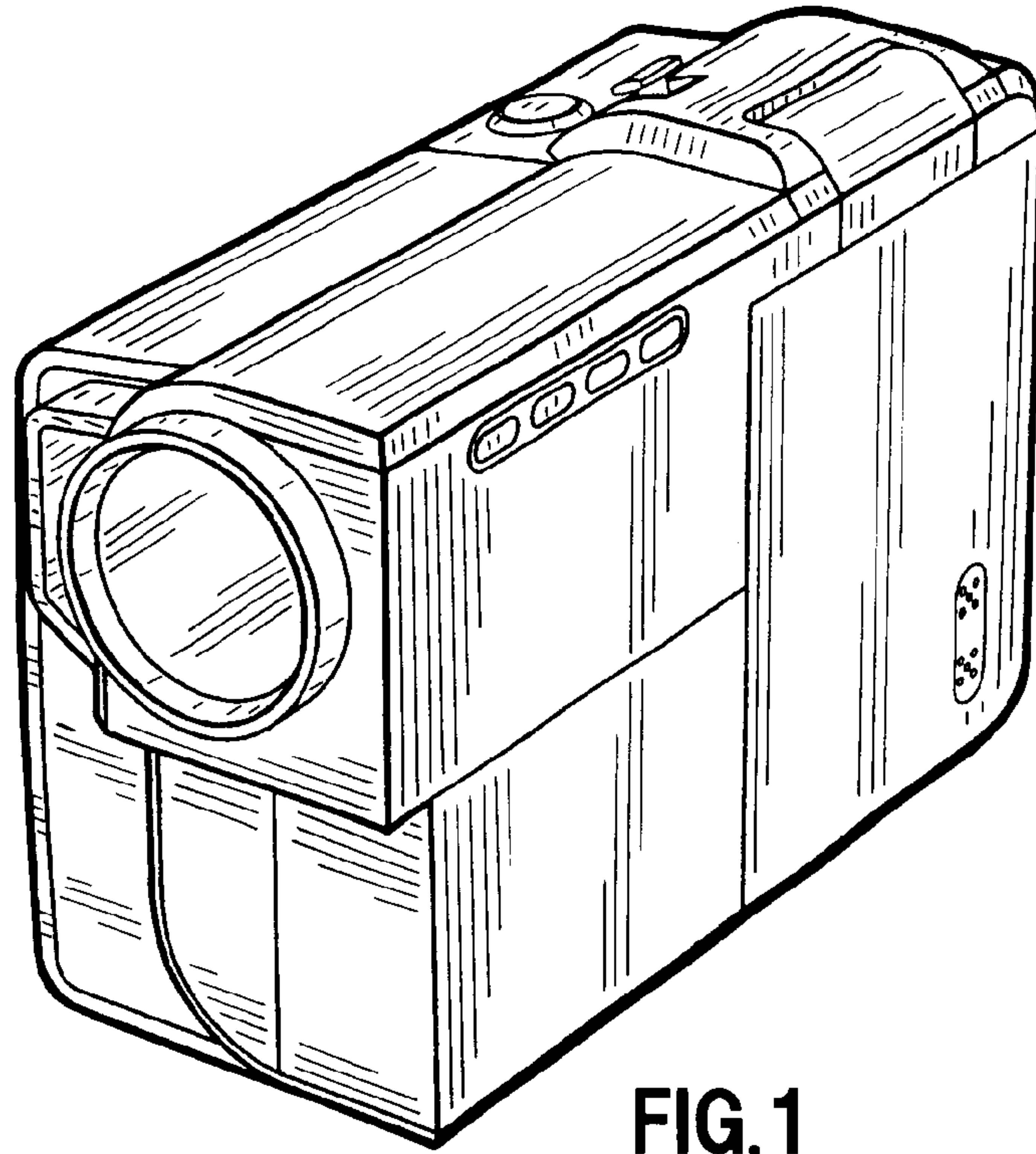


FIG. 1

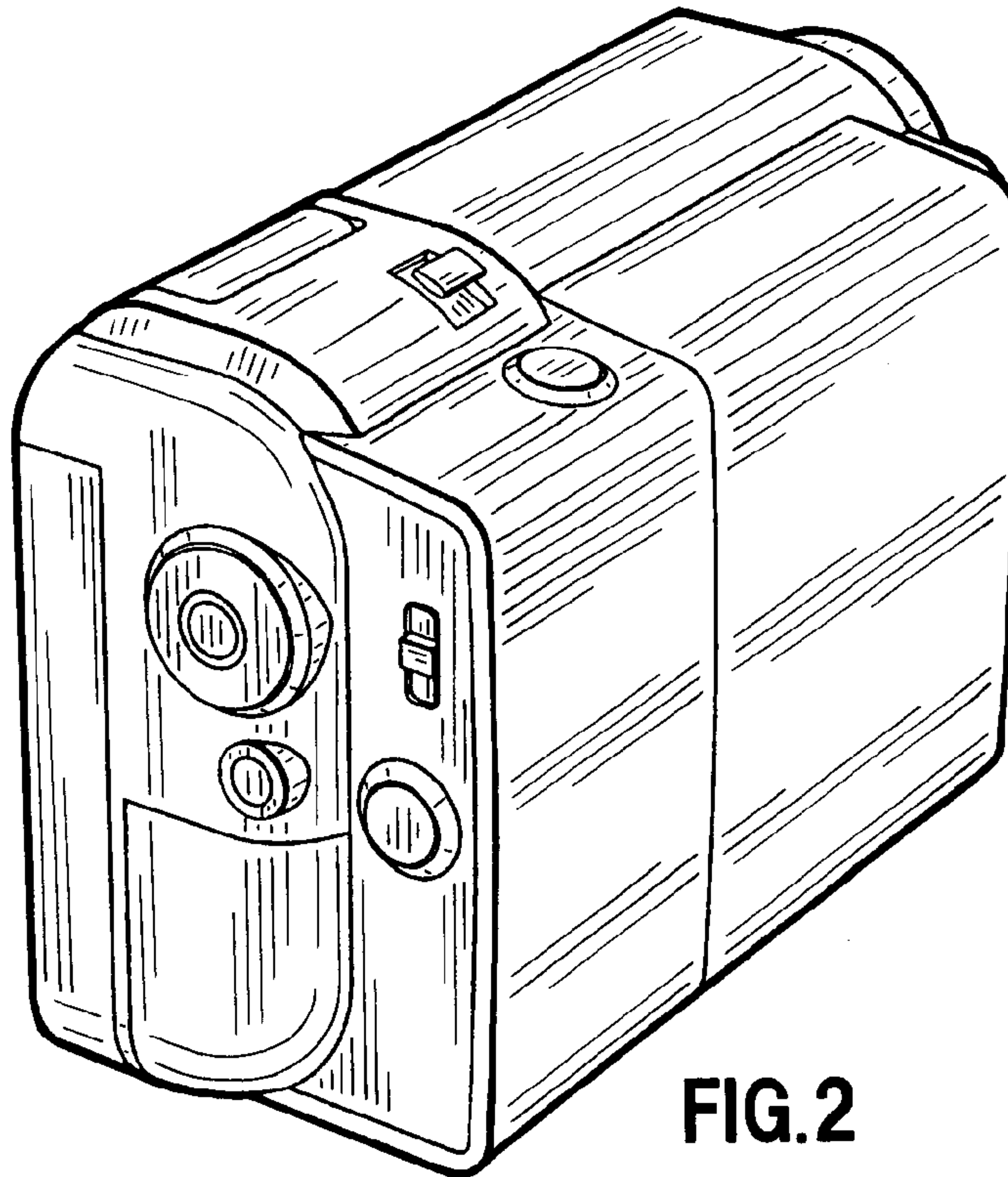


FIG. 2

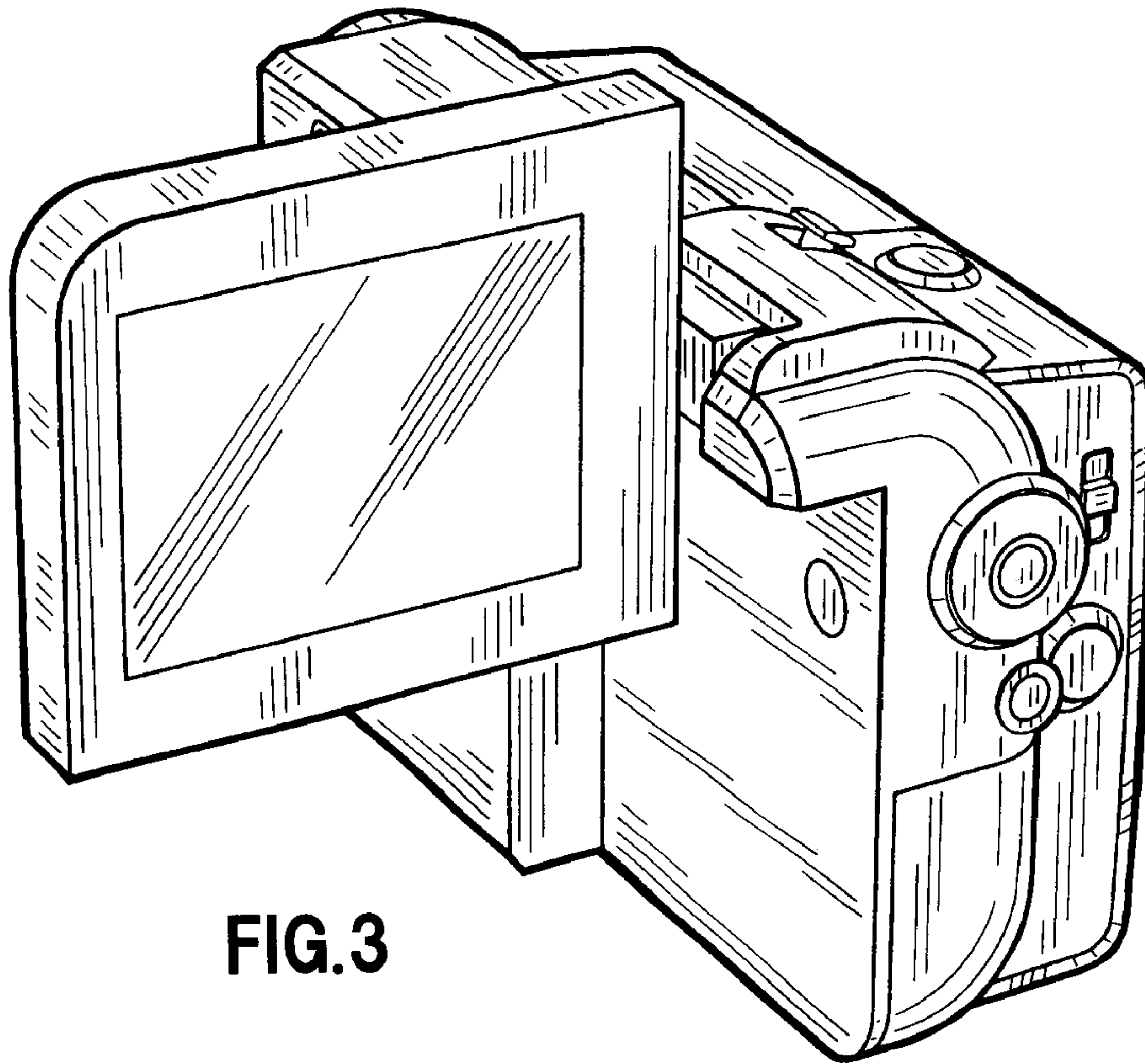


FIG.3

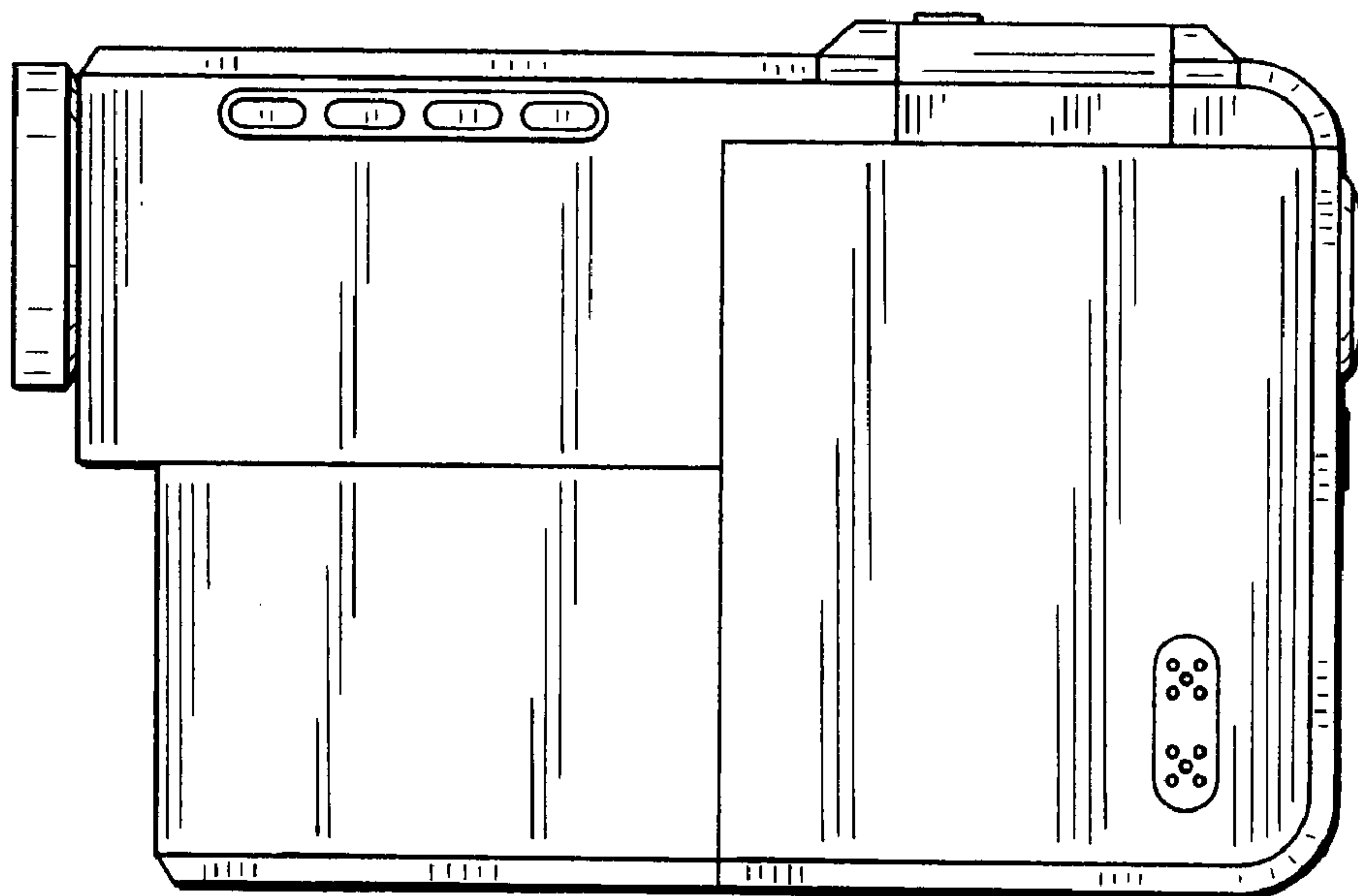


FIG.4

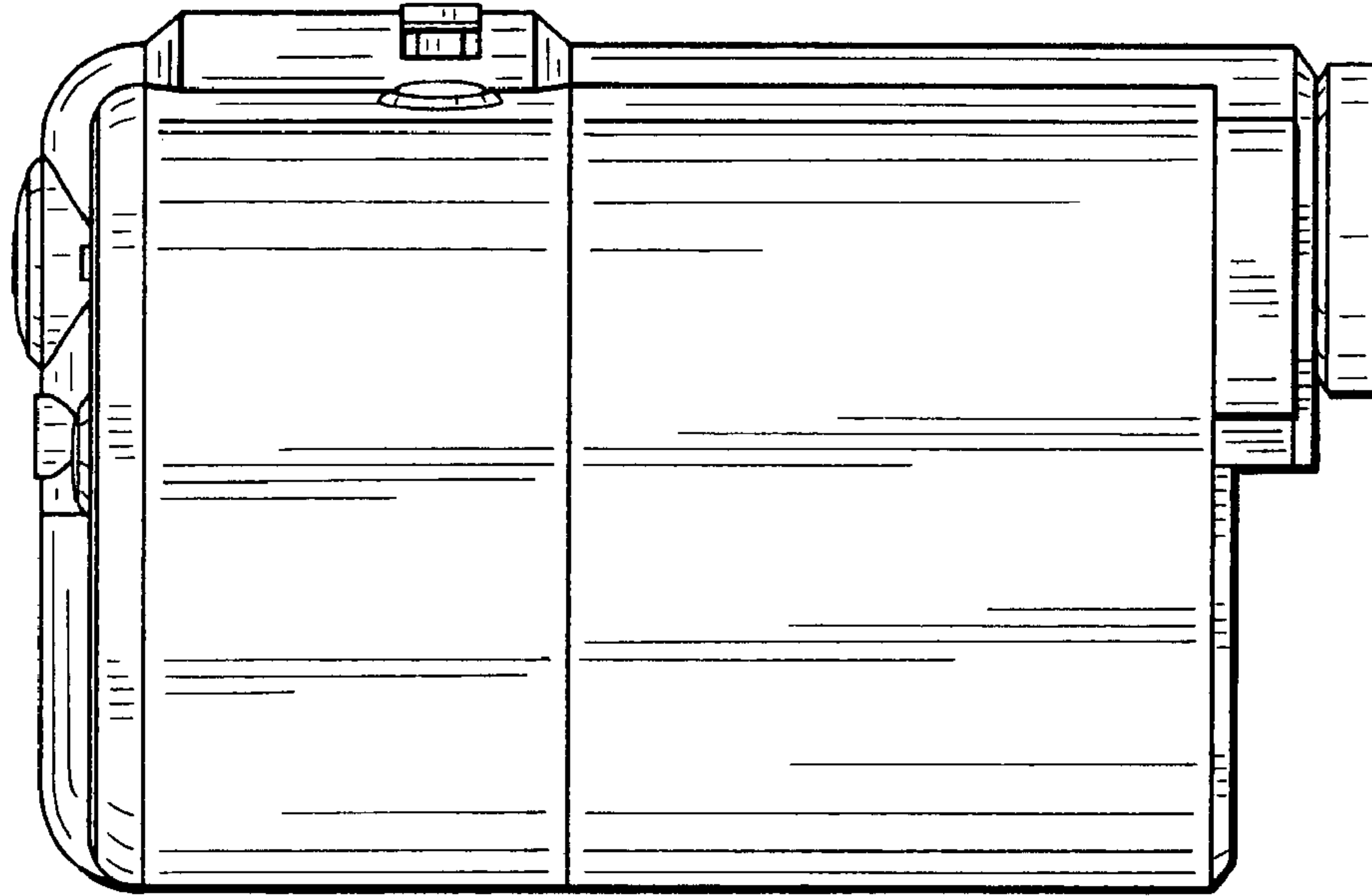


FIG. 5

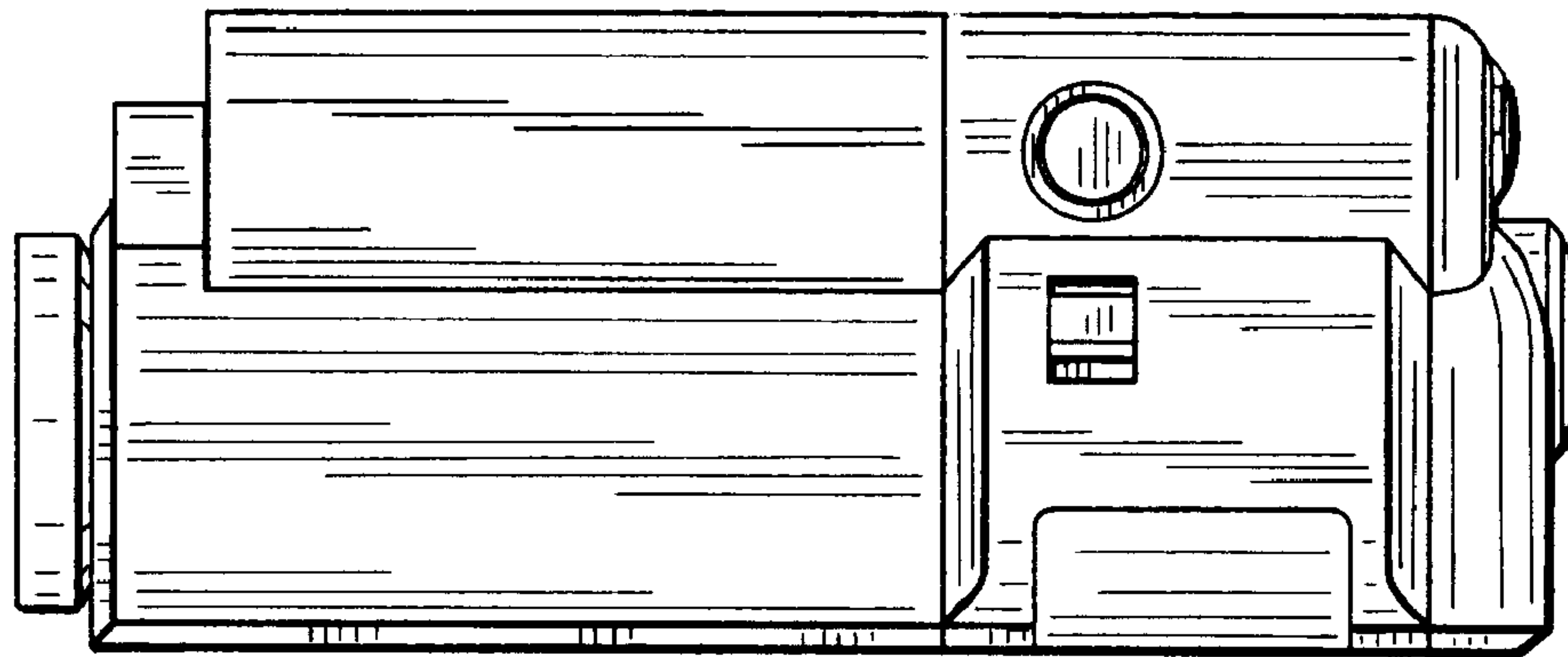


FIG. 6

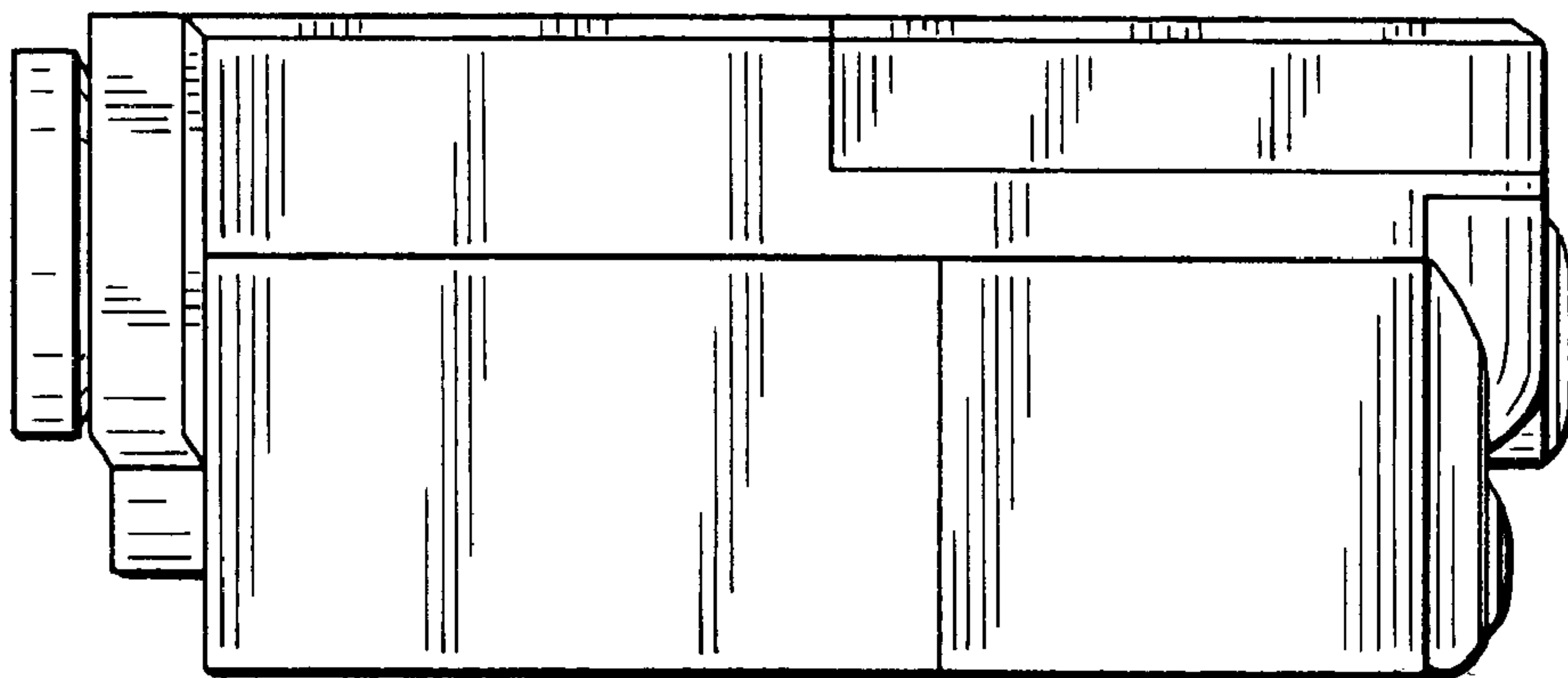


FIG. 7

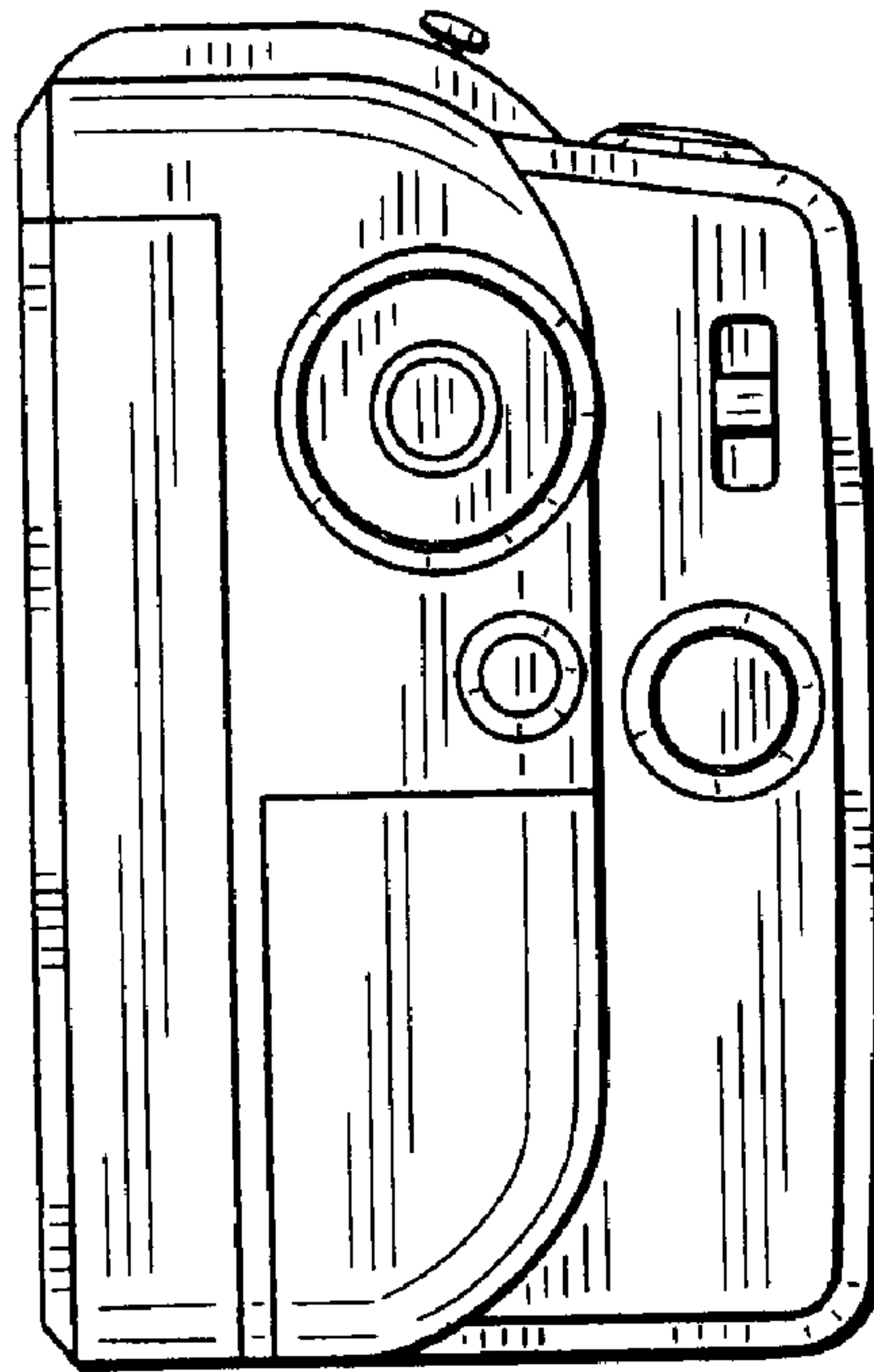


FIG. 8

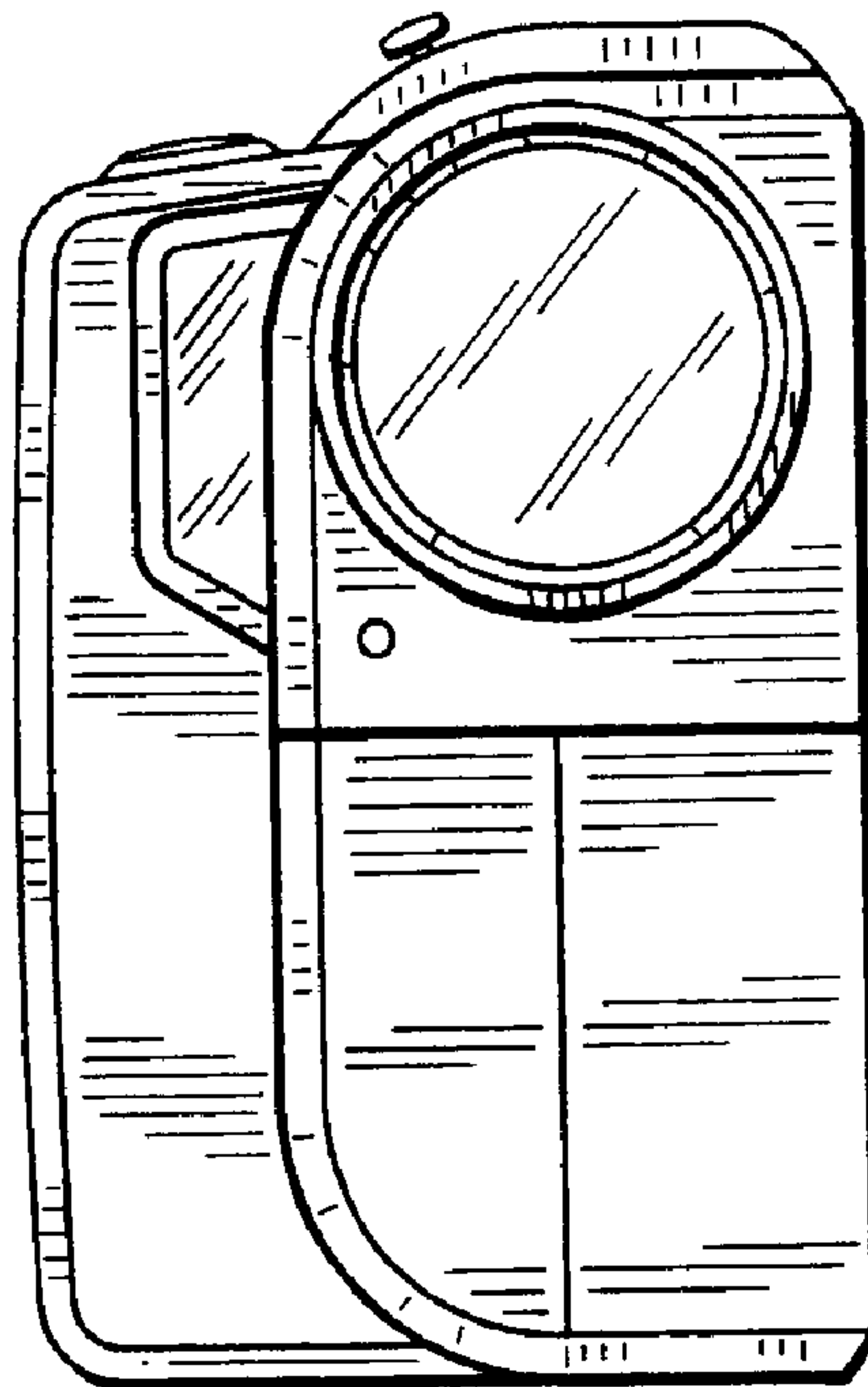


FIG. 9

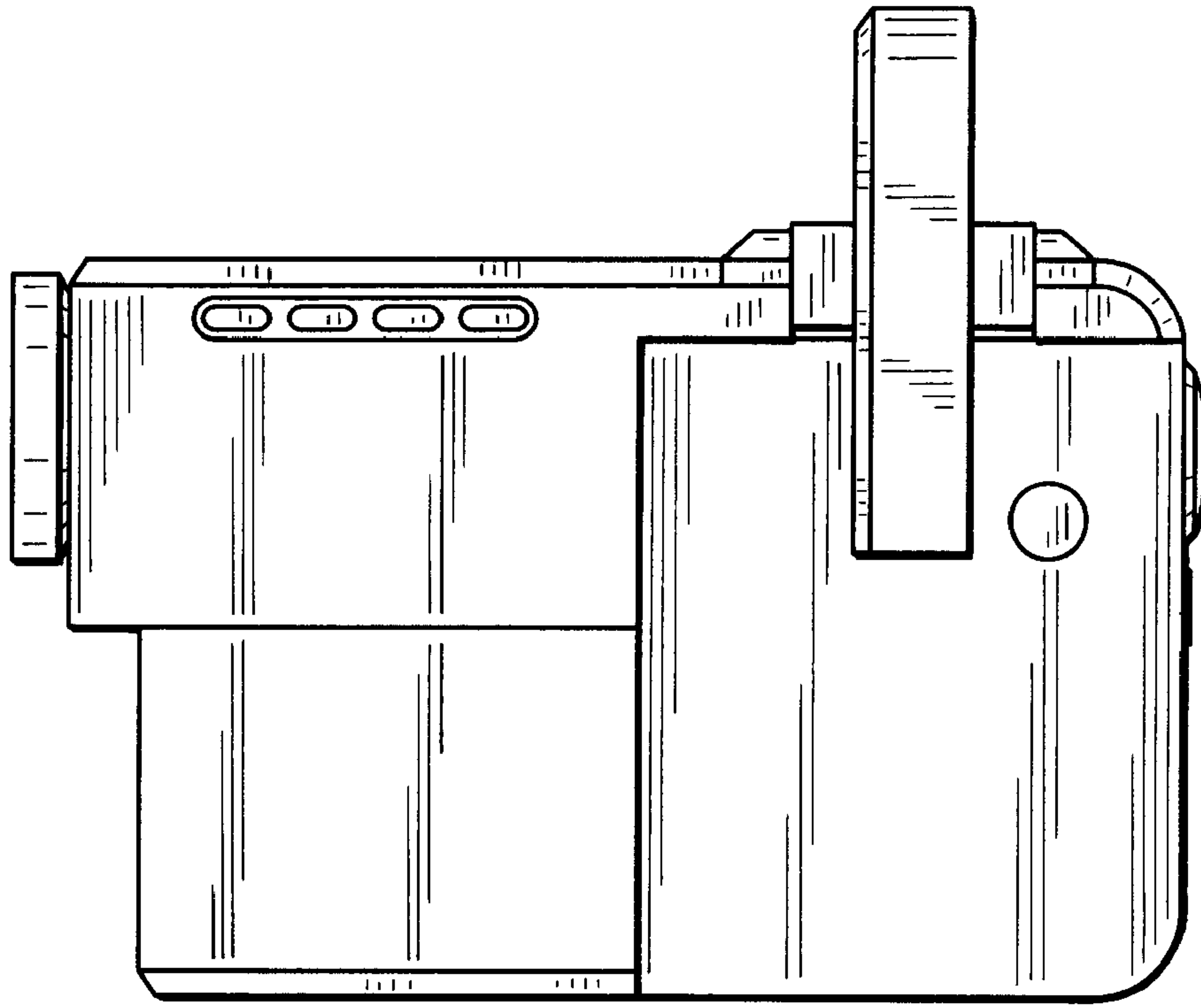


FIG. 10

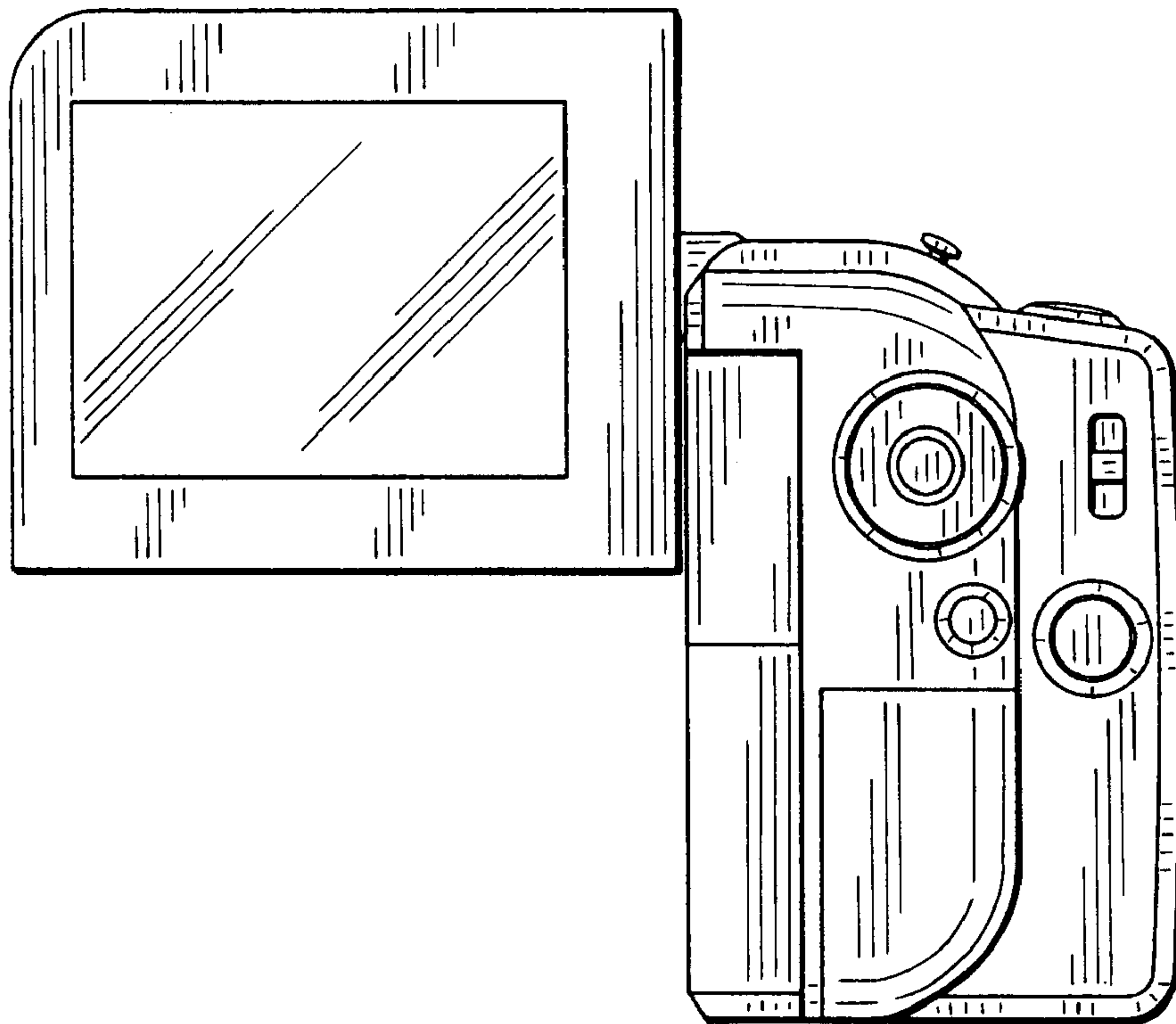


FIG. 11